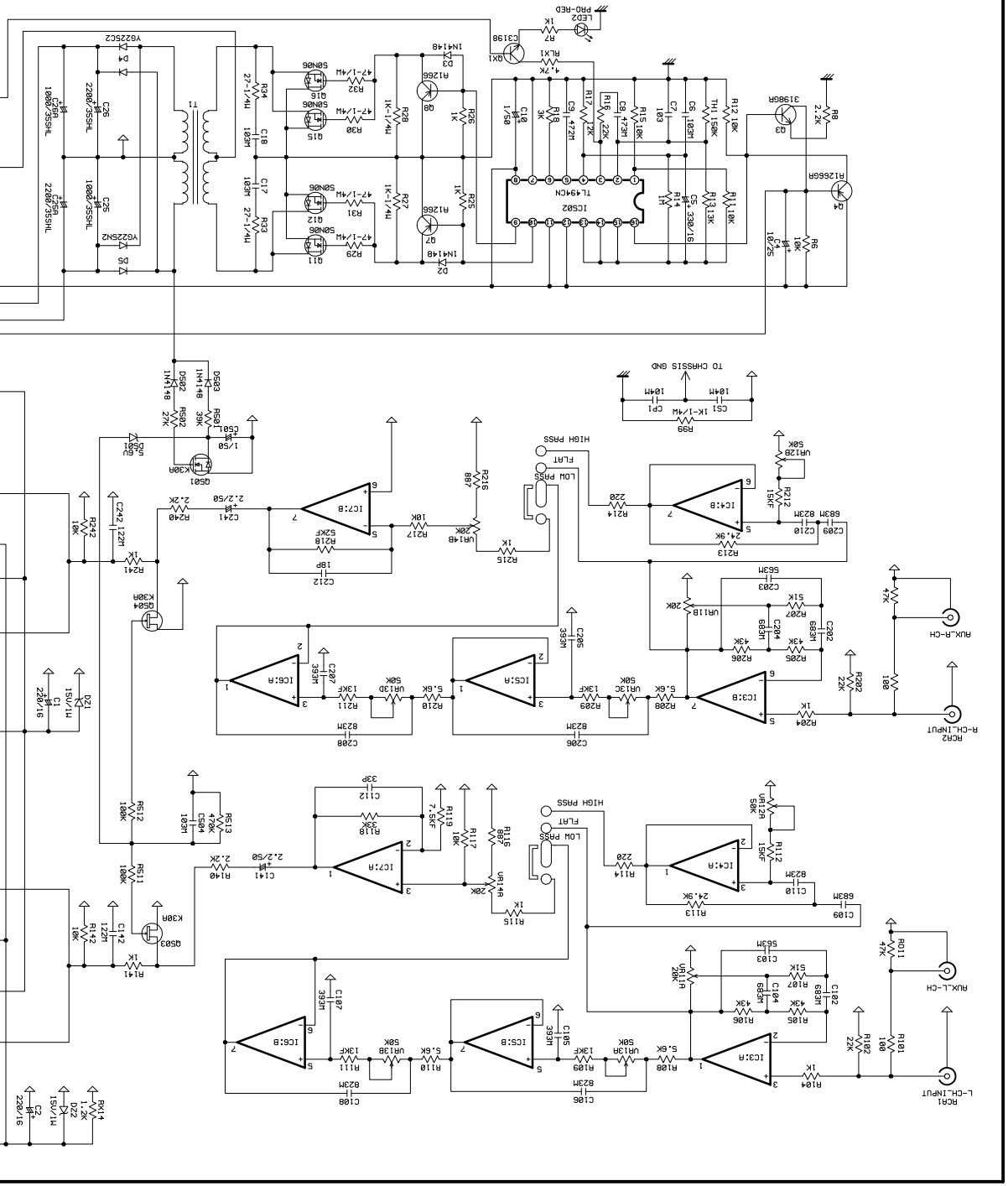
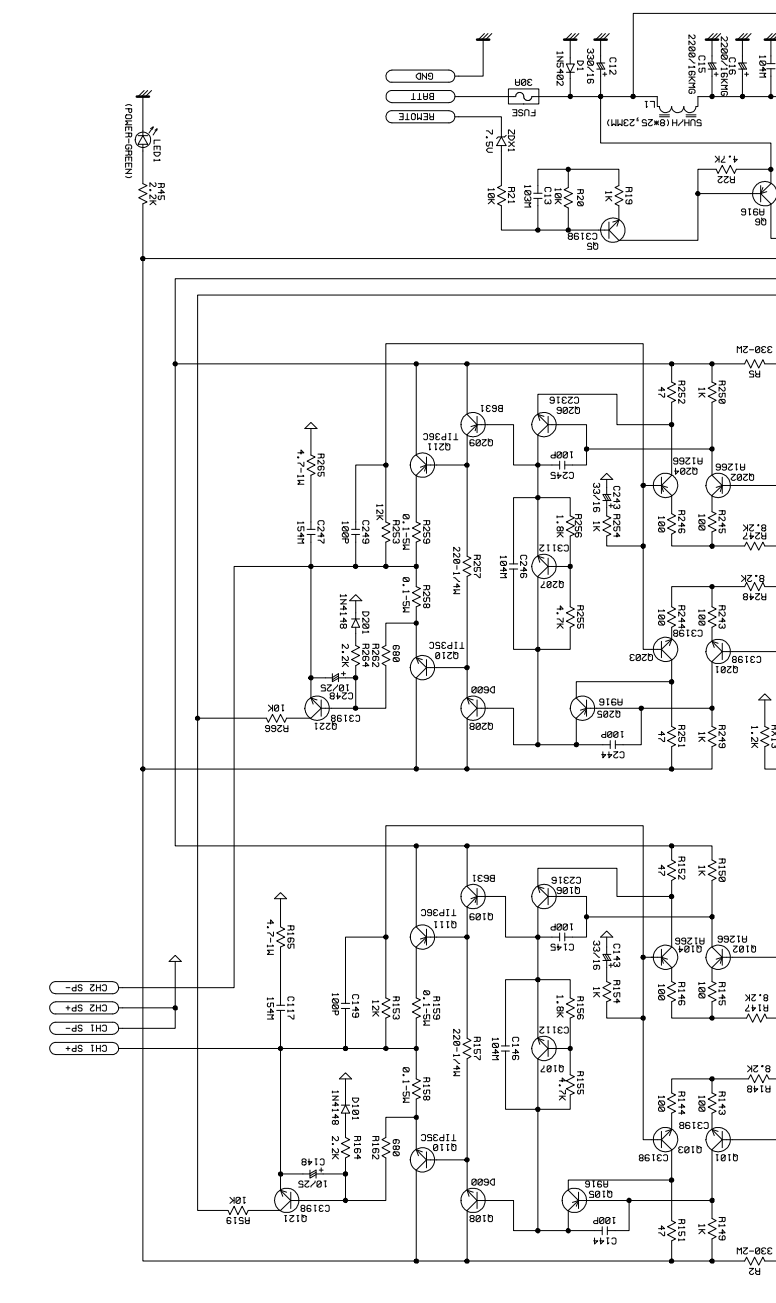
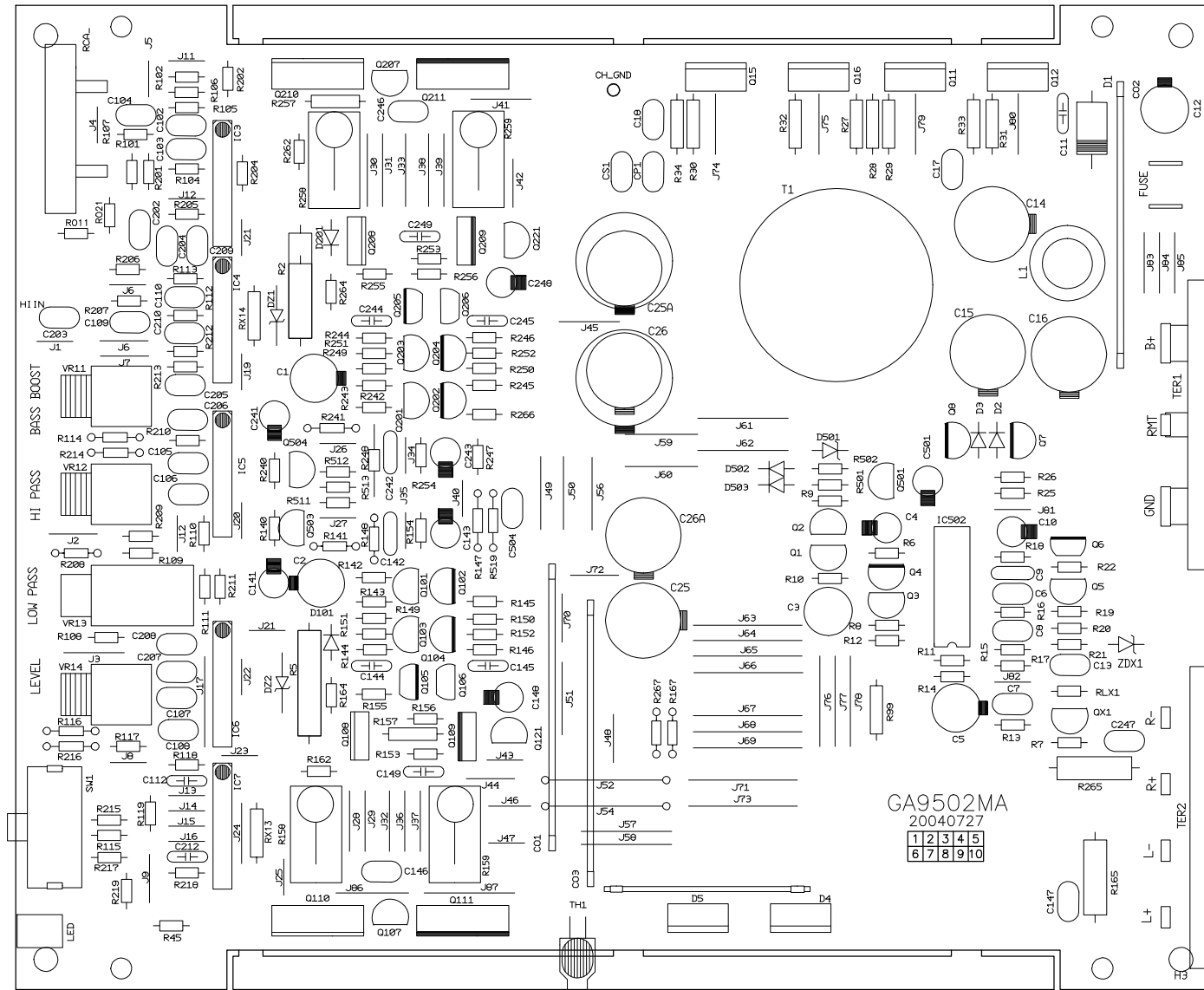
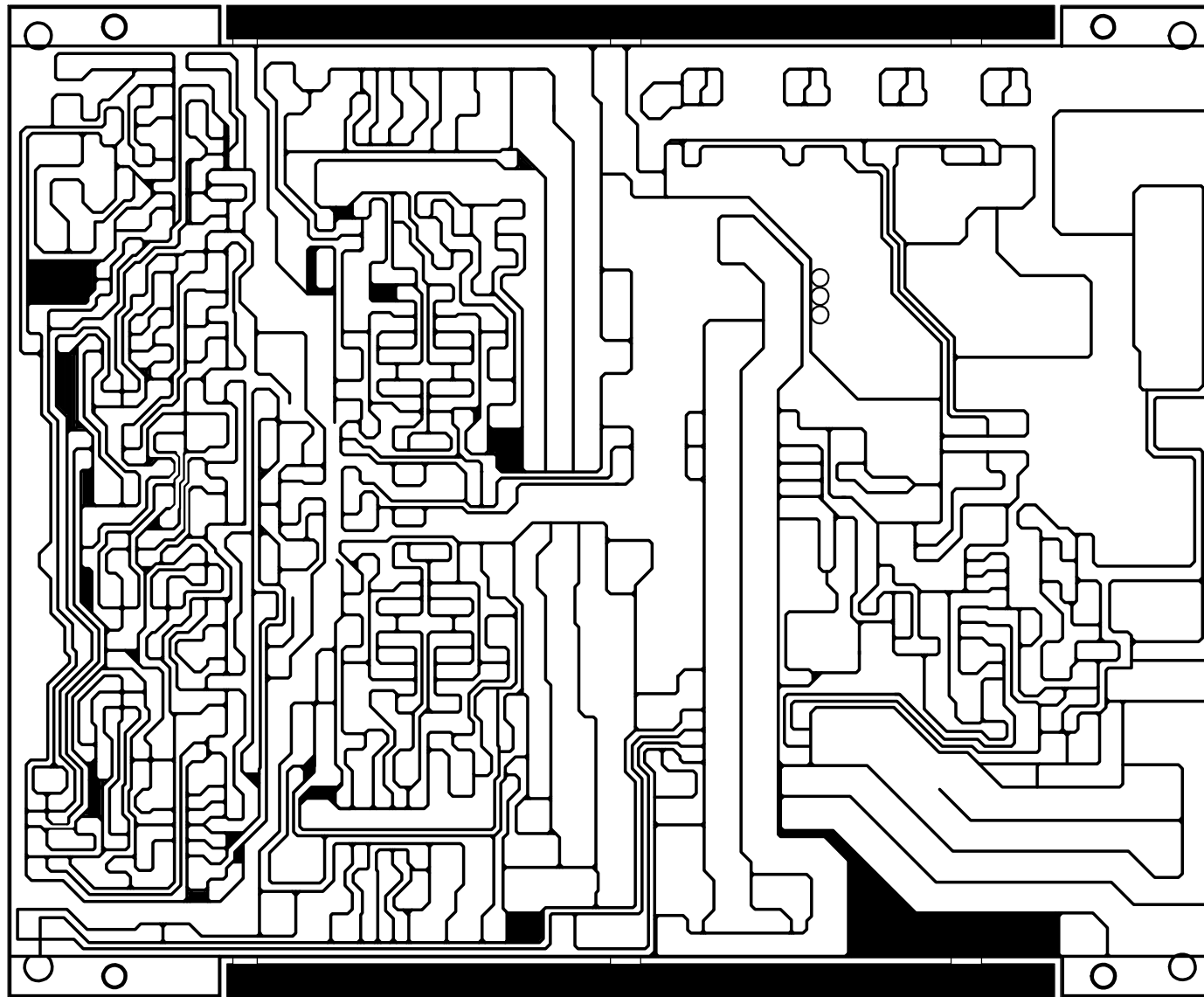


DRWM	DESIGN	CHECK	APPROU	C. Y. MON	SCALE	UNIT	DRAM NO.
					1/1	mm	D-E-GA9602-00
							MODEL
							DATE 28.JUL.2004





		TITLE		
CHECKED DATE	APPROVED DATE	SIZE	NUMBER	REV
		A3	D-B-GA9602MTS-00	0
		DATE:2004-07-28	DRAWN BY :C.Y.WON	
		FILE NAME:	Sheet : 1/1	



		TITLE		
CHECKED DATE		APPROVED DATE		REV
		SIZE	NUMBER	0
		A3	D-B-GA9602MBP-00	0
		DATE:2004-07-28		DRAWN BY :C.Y.WON
		FILE NAME:		Sheet : 1 / 1

PART LIST(MR2.75)

* BUYER : DELTA

* MODEL : MR2.75

* CODE :

NO	CODE	NAME	STAN	Q'TY	REMARK
1	B-FLUX-----1	FLUX NT2016	@44000 IR410M	1.00	
2	B-IPA-----1	IPA IT330M	15kg:@32000	1.00	
3	B-SLDR-BAR--1	SOLDER BAR 60%	kg:\$7.2 g:\$0.0072	1.00	
4	B-SLDR-WIRE-1	SOLDER WIRE 60%	kg:\$7.09 g:\$0.0071	1.00	
5	B-TUB-EMP1--1	TUBE EMPIRE	1mm/O.05 @70	1.00	Q107, Q207
6	G-LED-HOLDER6	HOLDER LED ASS'Y	TOH-30FOGD1-B(G/R)	1.00	LED1
7	H-COPER-2--3	COPER 2P NI 1t	2P_30mm_10mm(h)	1.00	CO4
8	H-COPER-2--4	COPER 2P NI 1t	2P_45mm_10mm(h)	3.00	CO1, CO2, CO3
9	H-DIO-25C---2	DIODE YG225C2	YG225C2 Y=24	1.00	D4
10	H-DIO-25N---2	DIODE YG225N2	YG225N2 Y=24	1.00	D5
11	H-DIO-5402--1	DIODE IN5402		1.00	D1
12	H-E13-35SH--1	EC1000/35 12.5x20SHL		2.00	C25, C26A
13	H-E223-16KG-1	EC2200/16 12.5x20KMG		2.00	C15, C16
14	H-E223-35SH-1	EC2200/35 16x25 SHL		2.00	C25A, C26
15	H-FUS-30A---1	FUSE ATC-30A		1.00	FUSE
16	H-FUS-HOL3-31	HOLDER FUS P3	DKT-08011 PCB-INSERT	1.00	FUSE
17	H-IC-4560L--1	IC NJM4560L SIP		5.00	IC3, IC4, IC5, IC6, IC7
18	H-IC-494CN--1	IC 494CN		1.00	IC502
19	H-JAK-R4PBR-1	JACK RCA 4P BRASS	DKJ44104 W/W	1.00	RCA1
20	H-MOS-44----4	MOSFET FQP50N06	N-CH TO220	4.00	Q11, Q12, Q15, Q16
21	H-PTRC-10---1	RFC COIL BAR	5UH/H 8x25 23mm	1.00	L1
22	H-PTTO-29--37	P.T TOTOIDE 29mm	GTA270 6T/12T	1.00	T1
23	H-R1WM-472--2	RESISTOR MET 1W4.7	M TYPE	2.00	R165, R265
24	H-R2WM-330--2	RESISTOR MET 2W330	M TYPE	2.00	R2, R5

PART LIST(MR2.75)

* BUYER : DELTA

* MODEL : MR2.75

* CODE :

NO	CODE	NAME	STAN	Q'TY	REMARK
25	H-R5WMFR01--1	RESISTOR MFR 5W0.1	R TYPE	4.00	R158, R159, R258, R259
26	H-STRG-3PGB-5	TERMINAL SCREW _2B	DK031215B 3P BRASS	1.00	TER1
27	H-STRG-4PGB-5	TERMINAL SCREW _2B	DK041214BB 4P BRASS	1.00	TER2
28	H-SWS-2301--3	SW SL SK23E01G6 L3R1	2C3P 6MM	1.00	SW1
29	H-THM-150K--2	THERMISTOR 150K	"LUG"	1.00	TH1
30	H-TR-3112B--1	TR KTC3112B		2.00	Q107, Q207
31	H-TR-35C----1	TR TIP35C		2.00	Q110, Q210
32	H-TR-36C----1	TR TIP36C		2.00	Q111, Q211
33	H-TR-600E---1	TR 2SD600E		2.00	Q108, Q208
34	H-TR-631E---1	TR 2SB631E		2.00	Q109, Q209
35	H-VR953B20--1	RTVR 3B20K 2GB	RV095GBC015RS3B20K	2.00	VR11, VR14
36	H-VR953B50--1	RTVR 3B50K 2GB	RV095GBC015RS3B50K	1.00	VR12
37	H-VR9543B50-1	RTVR 3B50K 4GB	RV0954GBCO15RS3B50K	1.00	VR13
38	H-W16-RT060-1	WIRE 0.16/11 60MM	10:RT BK3.5	1.00	CH_GND
39	H-CER-100CHT1	CER CAP 100PF CH	TP TYPE	6.00	C144, C145, C149, C244, C245, C249
40	H-CER-18TCH-1	CER CAP 18PF CH	TP TYPE	1.00	C212
41	H-CER-33CHT-1	CER CAP 33P CH	TP TYPE	1.00	C112
42	H-DIO-4148--1	DIODE IN4148M		6.00	D2, D3, D101, D201, D502, D503
43	H-DIZ-1W15V-1	DIODE ZENER 1W15V	1N4744	2.00	DZ1, DZ2
44	H-DIZ-5.6B--1	DIODE ZENER MTZ5.6B	0.5W	1.00	D501
45	H-DIZ-7.5B--1	DIODE ZENER MTZ7.5B	0.5W	1.00	ZDX1
46	H-E10-25SHT-1	EC 10/25 5x11 SHL	TP TYPE	3.00	C4, C148, C248
47	H-E1-50SHT--1	EC 1/50 5x11 SHL	TP TYPE	2.00	C10, C501
48	H-E2.2-50SHT1	EC 2.2/50 5x11 SHL	TP TYPE	2.00	C141, 241

PART LIST(MR2.75)

* BUYER : DELTA

* MODEL : MR2.75

* CODE :

NO	CODE	NAME	STAN	Q'TY	REMARK
49	H-E220-16SHT1	EC 220/16 6.3x11 SHL	TP TYPE	2.00	C1, C2
50	H-E330-16SHT1	EC 330/16 8x11.5SHL	TP TYPE	2.00	C5, C12
51	H-E33-16SHT-1	EC 33/16 5x11 SHL	TP TYPE	2.00	C143, C243
52	H-JW-JUMPW06T	JUMP WIRE 0.6T		85.00	
53	H-MYR-103T--2	MYLAR 103(0.01/100)	TP TYPE "J"	6.00	C6, C7, C13, C17, C18, C504
54	H-MYR-104T--2	MYLAR 104(0.1/100)	TP TYPE "J"	5.00	C11, C146, C246, CP1, CS1
55	H-MYR-122T--1	MYLAR 122(0.0012/100)	TP TYPE "J"	2.00	C142, C242
56	H-MYR-154T--1	MYLAR 154(0.15/100)	TP TYPE "J"	2.00	C147, C247
57	H-MYR-393MT-2	MYLAR 393(0.039/50)	TP TYPE "J" MINI	4.00	C105, C107, C205, C207
58	H-MYR-472T--2	MYLAR 472(0.0047/100)	TP TYPE "J"	1.00	C9
59	H-MYR-473T--2	MYLAR 473(0.047/100)	TP TYPE "J"	1.00	C8
60	H-MYR-563MT-2	MYLAR 563(0.056/50)	TP TYPE "J" MINI	2.00	C103, C203
61	H-MYR-683MT-2	MYLAR 683(0.068/50)	TP TYPE "J" MINI	6.00	C102, C104, C109, C202, C204, C209
62	H-MYR-823MT-2	MYLAR 823(0.082/50)	TP TYPE "J" MINI	6.00	C106, C108, C110, C206, C208, C210
63	H-PBA-9502GA1	MAIN PCB GA9502MA	198x163_FR1_BLUE	1.00	COLOR : BLUE
64	H-R14-124---1	RESISTOR 1/4W 1.2K		2.00	RX13, RX14
65	H-R14-13----1	RESISTOR 1/4W 1K		3.00	R27, R28, R99
66	H-R14-220---1	RESISTOR 1/4W 220		2.00	R157, R257
67	H-R14-27----1	RESISTOR 1/4W 27		2.00	R33, R34
68	H-R14-47----1	RESISTOR 1/4W 47		4.00	R29, R30, R31, R32
69	H-R18-100---1	RESISTOR 1/8W 100		10.00	R101, R201, R143, R144, R145, R146, R243, R244,
70	H-R18-100---1	RESISTOR 1/8W 100		0.00	R245, R246
71	H-R18-1003--1	RESISTOR 1/8W 100K		2.00	R511, R512
72	H-R18-103---1	RESISTOR 1/8W 10K		12.00	R6, R11, R12, R15, R20, R21, R117, R142,

PART LIST(MR2.75)

* BUYER : DELTA

* MODEL : MR2.75

* CODE :

NO	CODE	NAME	STAN	Q'TY	REMARK
73	H-R18-103---1	RESISTOR 1/8W 10K		0.00	R217, R242, R266, R519
74	H-R18-123---1	RESISTOR 1/8W 12K		3.00	R17, R153, R253
75	H-R18-13----1	RESISTOR 1/8W 1K		16.00	R7, R19, R25, R26, R104, R115, R141, R149,
76	H-R18-13----1	RESISTOR 1/8W 1K		0.00	R150, R154, R204, R215, R241, R249, R250, R254
77	H-R18-133---1	RESISTOR 1/8W 13K		1.00	R13
78	H-R18-1-----6	RESISTOR 1/8W 1M		1.00	R14
79	H-R18-184---1	RESISTOR 1/8W 1.8K		2.00	R156, R256
80	H-R18-220---1	RESISTOR 1/8W 220		2.00	R114, R214
81	H-R18-223---1	RESISTOR 1/8W 22K		3.00	R16, R102, R202
82	H-R18-224---1	RESISTOR 1/8W 2.2K		6.00	R8, R45, R140, R164, R240, R264
83	H-R18-273---1	RESISTOR 1/8W 27K		1.00	R502
84	H-R18-33----1	RESISTOR 1/8W 3K		1.00	R18
85	H-R18-333---1	RESISTOR 1/8W 33K		1.00	R118
86	H-R18-393---1	RESISTOR 1/8W 39K		1.00	R501
87	H-R18-433---1	RESISTOR 1/8W 43K		4.00	R105, R106, R205, R206
88	H-R18-4703--1	RESISTOR 1/8W 470K		1.00	R513
89	H-R18-47----1	RESISTOR 1/8W 47		4.00	R151, R152, R251, R252
90	H-R18-473---1	RESISTOR 1/8W 47K		2.00	RO11, RO21
91	H-R18-474---1	RESISTOR 1/8W 4.7K		4.00	R22, R155, R255, RLX1
92	H-R18-513---1	RESISTOR 1/8W 51K		2.00	R107, R207
93	H-R18-564---1	RESISTOR 1/8W 5.6K		4.00	R108, R110, R208, R210
94	H-R18-680---1	RESISTOR 1/8W 680		2.00	R162, R262
95	H-R18-824---1	RESISTOR 1/8W 8.2K		4.00	R147, R148, R247, R248
96	H-R18F-133--1	RESISTOR F1/8W 13K		4.00	R109, R111, R209, R211

PART LIST(MR2.75)

* BUYER : DELTA

* MODEL : MR2.75

* CODE :

NO	CODE	NAME	STAN	Q'TY	REMARK
97	H-R18F-154--1	RESISTOR F1/8W 15K		2.00	R112, R212
98	H-R18F-2492-1	RESISTOR F1/8W 24.9K		2.00	R113, R213
99	H-R18F-5202-1	RESISTOR F1/8W 52K		1.00	R218
100	H-R18F-752--1	RESISTOR F1/8W 7.5K		1.00	R119
101	H-R18F-887--1	RESISTOR F1/8W 887F		2.00	R116, R216
102	H-TR-1266GT-1	TR KTA1266GR	TP TYPE	1.00	Q4
103	H-TR-1266YT-1	TR KTA1266Y	TP TYPE	6.00	Q7, Q8, Q102, Q104, Q202, Q204
104	H-TR-2316YT-1	TR KSC2316Y	TP TYPE	2.00	Q106, Q206
105	H-TR-3198GT-1	TP KTC3198GR	TP TYPE	1.00	Q3
106	H-TR-3198YT-1	TR KTC3198Y	TP TYPE	8.00	Q5, Q101, Q103, Q121, Q201, Q203, Q221, QX1
107	H-TR-916YT--1	TR KSA916Y	TP TYPE	3.00	Q6, Q105, Q205
108	H-TR-K30AT--1	TR K30A	TP TYPE	3.00	Q501, Q503, Q504