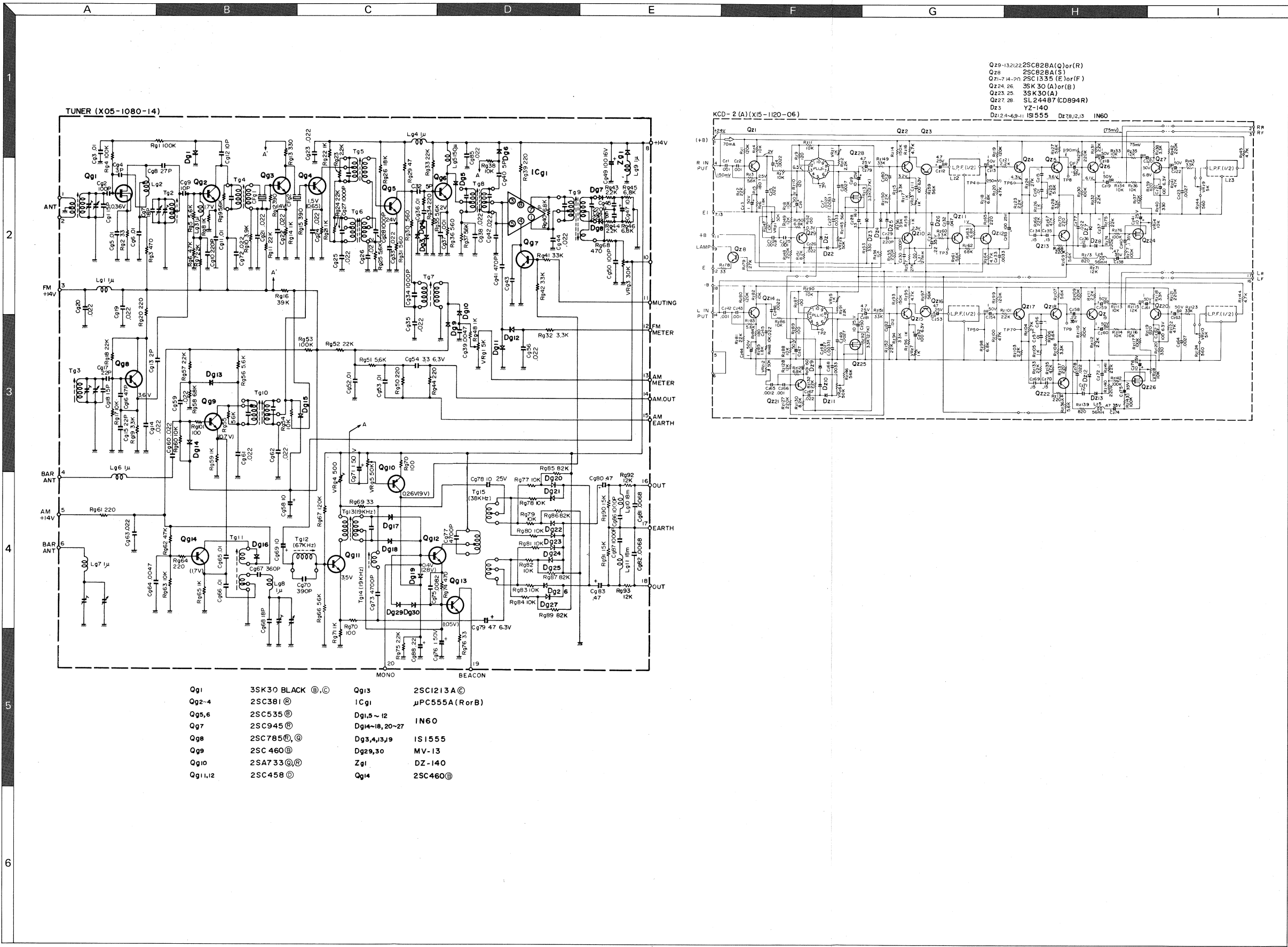


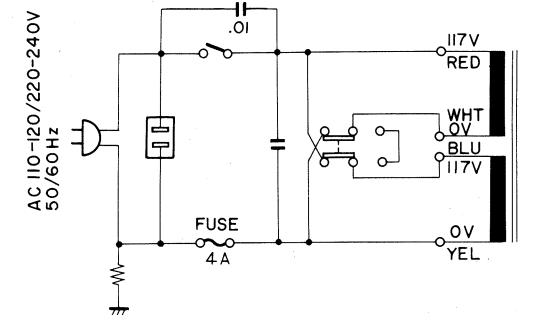
SPECIFICATIONS

FM TUNER SECTION	
Usable Sensitivity (IHF)	2.0 μ V
Frequency Response	20 Hz - 15,000 Hz ± 1.2 dB
Harmonic Distortion	0.5% Mono (at 400 Hz 100% modulation)
Image Rejection	0.8% Stereo (at 400 Hz 100% modulation)
Signal to Noise Ratio	63 dB at 1 mV input
Selectivity (IHF ALT. channel)	60 dB
IF Rejection	50 dB
Spurious Signal Rejection	90 dB
AM Suppression	60 dB
Capture Ratio	3.0 dB
Stereo Separation	40 dB at 1,000 Hz
Sub Carrier Suppression	20 dB at 10,000 Hz
Antenna Impedance	45 Ω
	300 ohms Balanced & 75 ohms Unbalanced
AM TUNER SECTION	
Usable Sensitivity (IHF)	25 μ V
Signal to Noise Ratio	45 dB at 1 mV input
Image Rejection	45 dB
Selectivity (IHF)	30 dB
IF Rejection	35 dB
Antenna	Built-in ferrite bar antenna, External antenna terminals
MAIN-AMPLIFIER SECTION	
RMS Power Output	4 CHANNEL
Full channel driven	2 CHANNEL
into 8 ohms at 20 Hz - 20,000 Hz	15 x 4 watts
into 8 ohms at 1,000 Hz	20 x 4 watts
into 4 ohms at 1,000 Hz	50 x 2 watts
Dynamic Power Output	23 x 4 watts
into 8 ohms	120 watts
into 4 ohms	152 watts
Total Harmonic Distortion	0.8% at rated power into 8 ohms
Intermodulation Distortion	0.3% at $\frac{1}{2}$ rated power into 8 ohms at 1,000 Hz
(60 Hz : 7 kHz = 4 : 1)	0.3% at rated power into 8 ohms.
Power Bandwidth	0.3% at $\frac{1}{2}$ rated power into 8 ohms
Damping Factor	20 at 8 ohms (4 channel operation)
Speaker Impedance	Accept 4 ohms to 16 ohms
PREAMPLIFIER SECTION	
Input Sensitivity and Impedance	
Phono	1.5 mV, 100 k ohms
AUX	150 mV, 50 k ohms
Tape Play	150 mV, 50 k ohms
Maximum Input Voltage (rms)	
Phono	100 mV, T.H.D. 0.8% at 1,000 Hz
Signal to Noise Ratio	
Phono	60 dB
AUX	75 dB
Tape Play	75 dB
Output Voltage and Impedance	
Tape Rec. (Pin)	150 mV, 100 ohms
(Din connector)	40 mV
Frequency Response	
Phono	RIAA Standard curve ± 1 dB
Tuner, AUX, Tape Play	20 Hz - 20,000 Hz ± 1 dB
Tone Controls	
Bass	± 10 dB at 100 Hz
Treble	± 10 dB at 10,000 Hz
Loudness Control (-30 dB)	+10 dB at 100 Hz
	+5 dB at 10,000 Hz
GENERAL	
Switches	
Speaker Selector	A, B Push Switch
Input Selector	AM, FM, PHONO, CD-4, AUX
Mode	MONO, 2ch, FM, SQ, Discrete
Tape Monitor	Push Switch
Others	Loudness, AMP Control, FM Muting, Power Unswitched 1
AC Outlet	320 watts at full power, 35 watts at no signal
Power Consumption	W 21-27/32" (555mm), H 6-5/16" (160mm)
Dimensions	D 14-3/16" (360mm)
Weight	33 lbs. (15 kg)



- | | | | |
|---------|-----------------|--------------|---------------|
| Qg1 | 3SK30 BLACK (C) | Qg13 | 2SC1213A(C) |
| Qg2-4 | 2SC381 (C) | ICg1 | μPC555A(RorB) |
| Qg5,6 | 2SC535 (C) | Dg1,5-12 | IN60 |
| Qg7 | 2SC945 (C) | Dg4-18,20-27 | IN60 |
| Qg8 | 2SC785 (C) | Dg3,4,13,19 | IS1555 |
| Qg9 | 2SC460 (C) | Dg29,30 | MV-13 |
| Qg10 | 2SA733 (C) | Zg1 | DZ-140 |
| Qg11,12 | 2SC458 (C) | Qg14 | 2SC460 (C) |

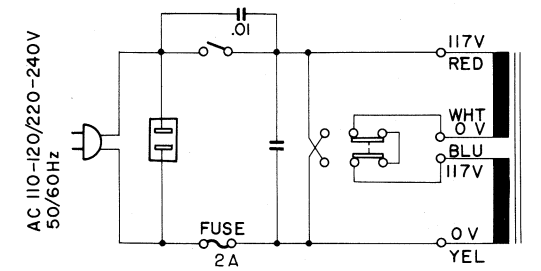
For 110-120/220-240V sets (1)



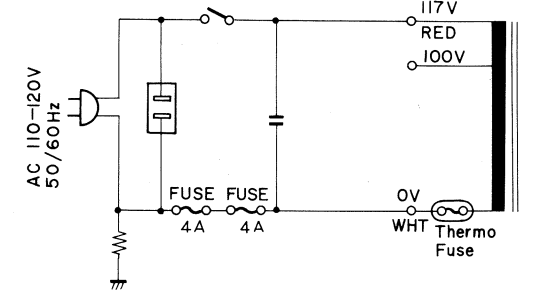
For 110-120/220-240V sets (2)

For the sets sold in South Africa.

For the sets sold in England.



For the sets sold in Canada.



For the sets sold in Europe except England.

