



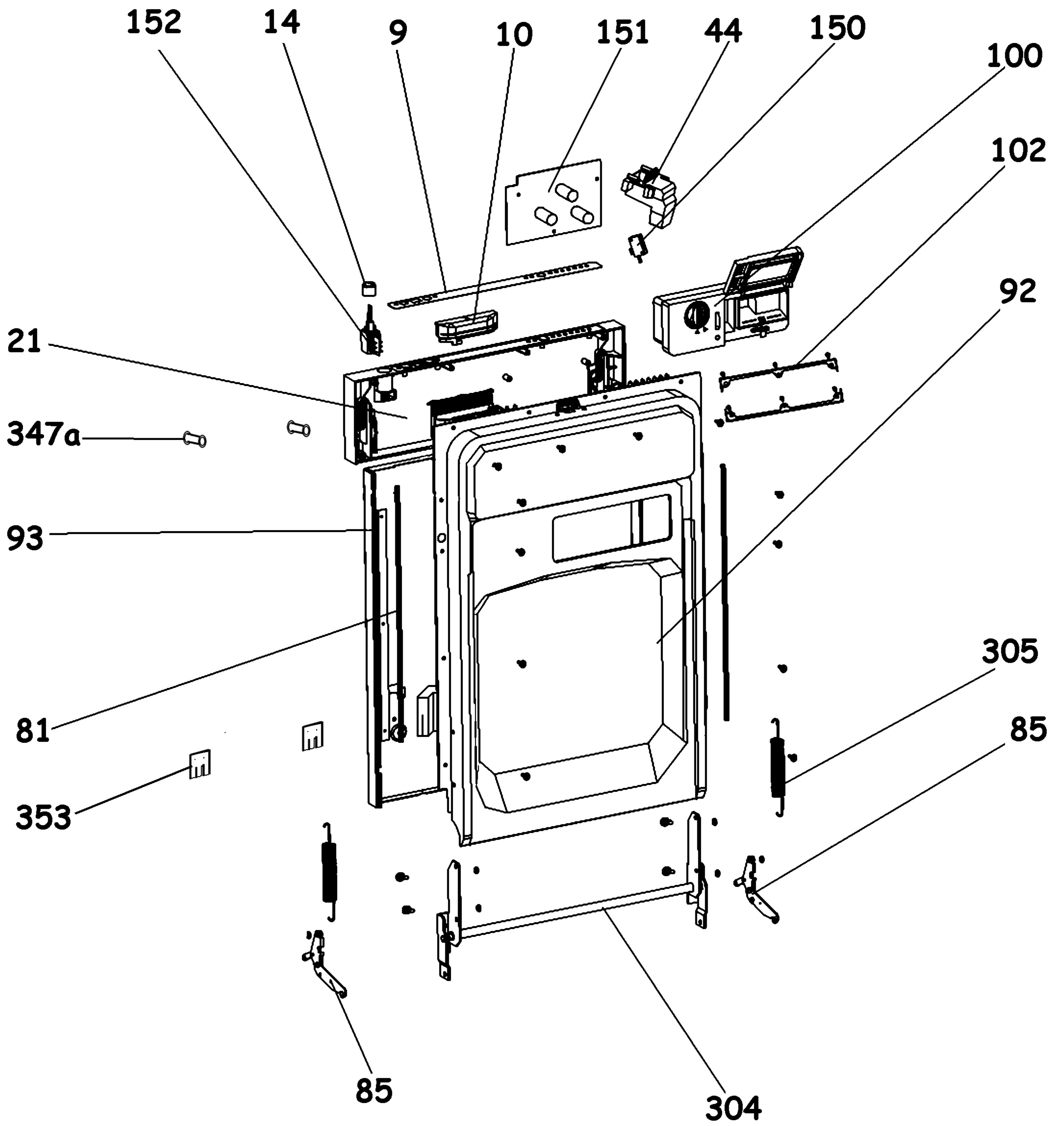
Assistenza Tecnica After Sales Service Service Apres Vente Kundendienst Servicio Post-Venta

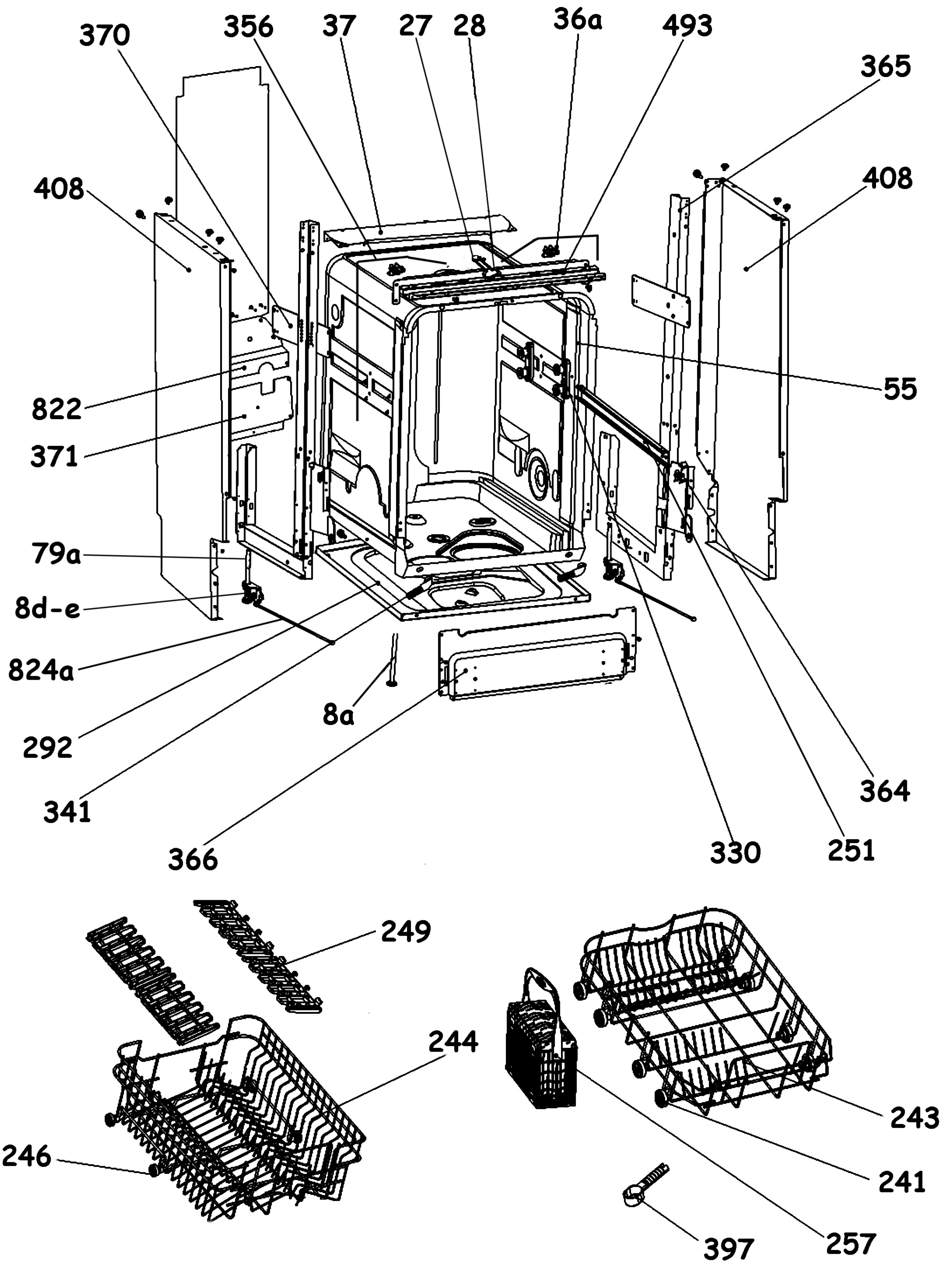
CANDY

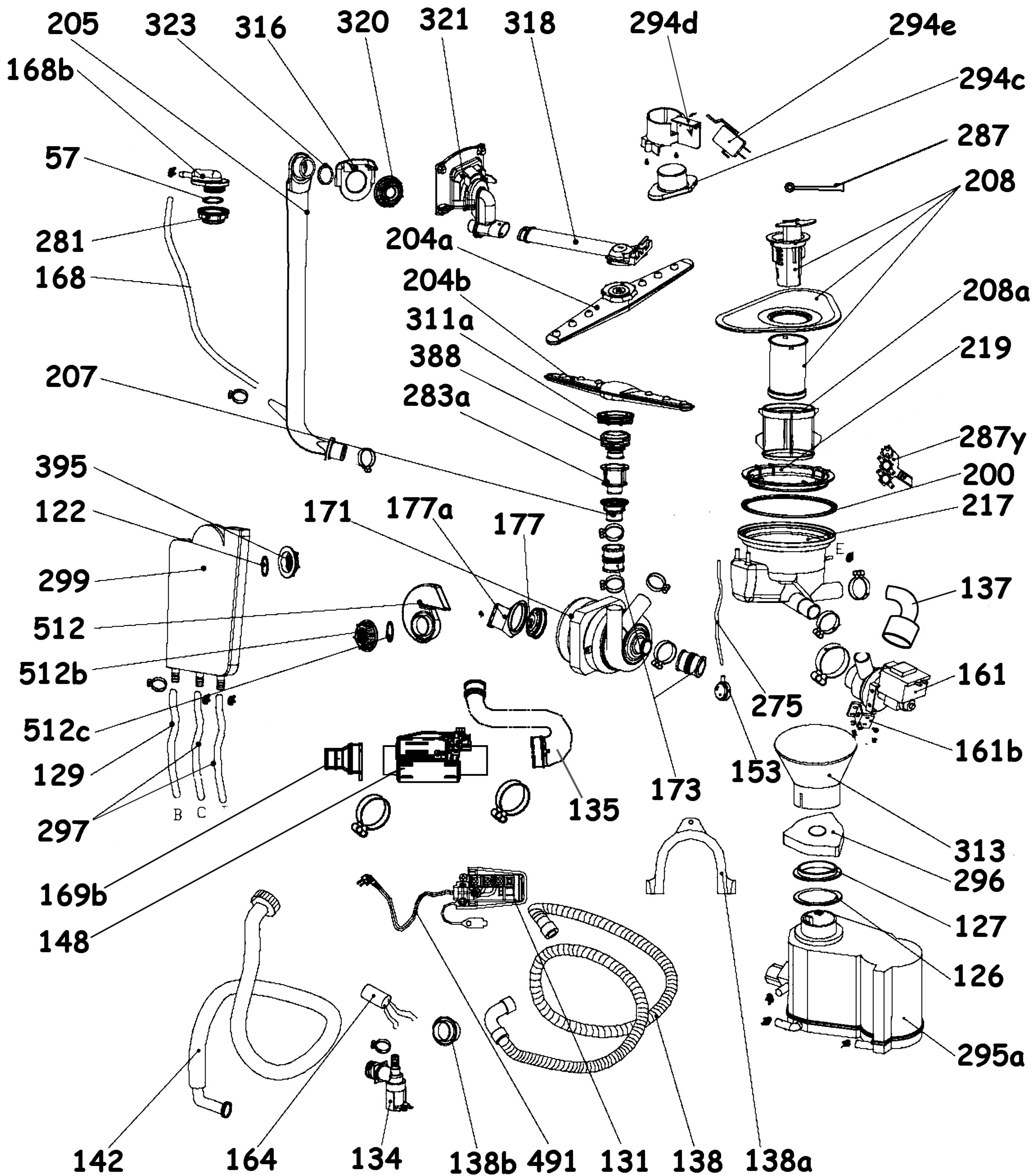
BUILT-IN DISHWASHER

32900049 CDI45 80

Service Manual







**Mod: 32900049 CDI45 80 0432 (01/08/2004)**

Ref.	Descrizione - Description - Beschreibung - Descripcion	Ricambio Part No. Piece E-Teil Pieza	Inizio Beginning Debut Begin Inicio	Fine Ending Fin End Fin
8a	Foot	49005847		
8d	Foot	49006648		
8e	Foot	49006647		
9	Control panel plate	49005849		
10	Handle plate	49005836		
14	Button	49005841		
21a	Control panel	49005840		
27	Closure regulator	49005844		
28	Catch	49005845		
36a	Work table fixing bracket	49005710		
37	Rear trim	49005671		
44	Door lock	49005837		
55	Front gasket	49005714		
57	Seal gasket	49005713		
79a	Adjustable rear foot	49006649		
81b	Trim	49005843		
85a	R/H hinge	49005634		
85b	L/H hinge	49005635		
92	Innerdoor	49005621		
93	Door	49005842		
100	Electrodistributor	49005637		
102	Frame	49005639		
122	Gasket	49005675		
126	Seal gasket	49005685		
127	Metal ring	49005686		
129	Hard water tube	49005745		
131	Junction box	49005681		
134	Electrovalve	49005679		
135	Gasket	49005732		
137	Discharge hose	49006651		
138	Drain hose	49005682		

**Mod: 32900049 CDI45 80 0432 (01/08/2004)**

Ref.	Descrizione - Description - Beschreibung - Descripcion	Ricambio Part No. Piece E-Teil Pieza	Inizio Beginning Debut Begin Inicio	Fine Ending Fin End Fin
138a	Drain house elbow	49005683		
138b	Hoseb clamp	49005709		
142	Fill hose	49005677		
148a	Outer heater assy	49005753		
150	Door micro switch	49005838		
151a	Electronic module	49005839		
152e	Switch as.(open doub.con)	49005625		
153	Level switch	49005707		
161	Drain pump	49005689		
161b	Pump bracket	49005722		
164	Anti jamming filter radio	49005678		
168	Upper spray arm feeder tube	49005718		
168b	Upper spray arm duct	49005711		
169b	Heater/motor pump tube	49006650		
171	Motor pump	49005706		
173	Hose	49005733		
177	Motor Schoch absorber	49005721		
177a	Motorpump support	49005720		
200	Drawer grasket	49005691		
204a	Upper spray arm	49005695		
204b	Lower spray arm	49005696		
205	Spray arms tube	49005762		
207	Ring nut	49005735		
208	Filter	49005694		
208a	Microfilter	49005693		
217	Filter bacin.	49005690		
219	Flange ring	49005692		
241	Lower basket wheel	49005659		
243	Lower basket	49005660		
244	Upper basket	49005661		
246	Basket wheel upper.	49005662		

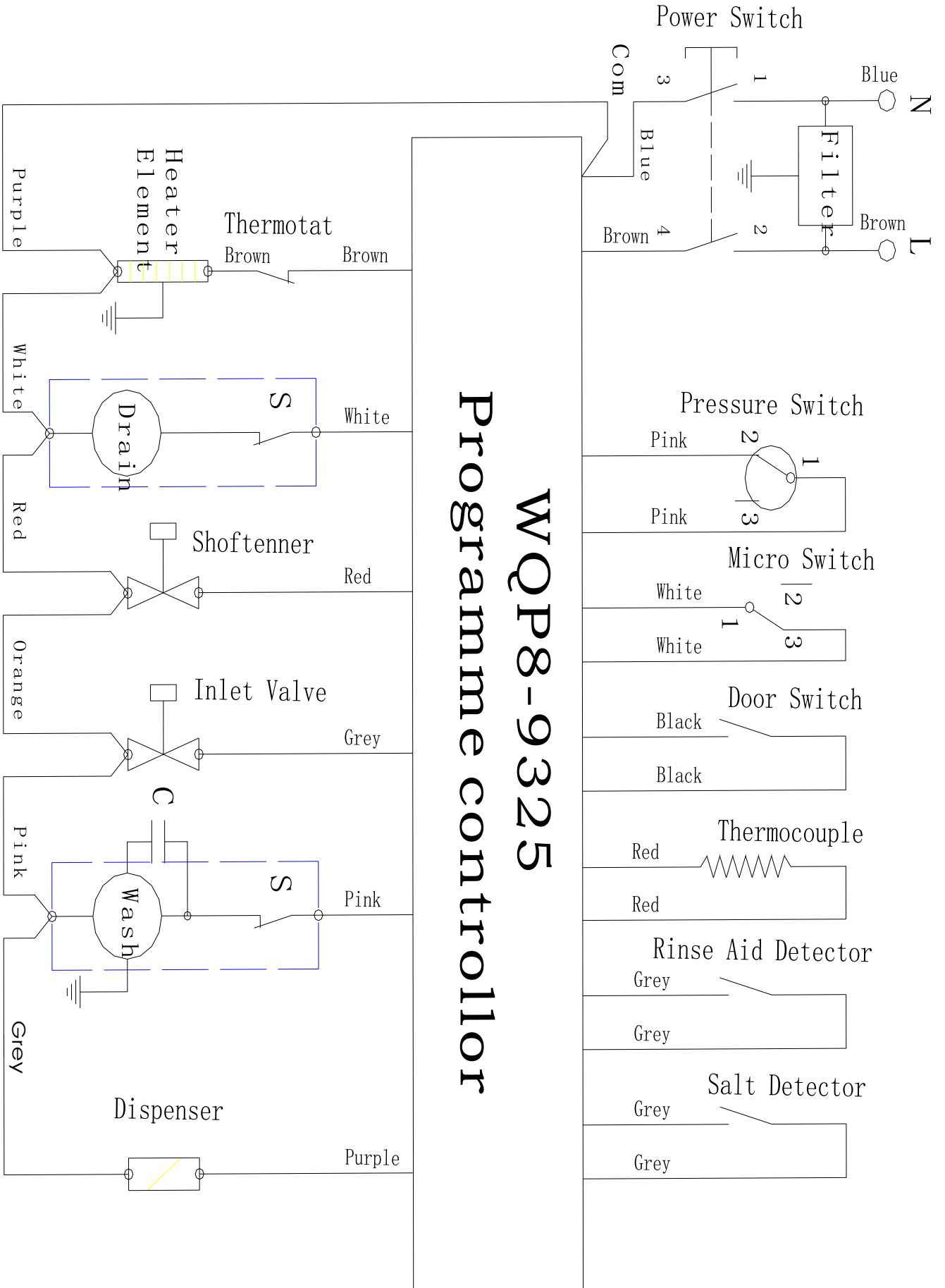
**Mod: 32900049 CDI45 80 0432 (01/08/2004)**

Ref.	Descrizione - Description - Beschreibung - Descripcion	Ricambio Part No. Piece E-Teil Pieza	Inizio Beginning Debut Begin Inicio	Fine Ending Fin End Fin
249	Cups basket	49005663		
251	Runner	49005654		
257	Cutlery basket	49005658		
275	Level hose	49005740		
281	Sprayer	49005717		
283a	Hub	49005737		
287m	NTC probe	49005798		
292b	Dispenser drawer	49005647		
294c	Water-block float	49005744		
294d	Water-block body	49005742		
294e	Water-block microswitch	49005743		
295a	Water softener	49005784		
296	Water softener stopper	49005687		
297	Hose	49005746		
299	Water softener capacitor	49005673		
304	Reinforcement	49005640		
305	Spring	49005636		
311a	Sleeve	49005739		
313	Funnel	49005688		
316	Center square	49005699		
318	Upper ramp tube	49005702		
320	Deviator ring nut	49005700		
321	Deviator cabinet	49005701		
323	Seal	49005698		
330	Subseq.runner ass.support	49005653		
341	Anti - overflow tube	49005648		
347a	Built-in pin	49007002		
353	Door hook	49007001		
356c	Spring regulation	49005846		
364	Upper basket stopper	49005655		
365	R-H tub support	49005665		

**Mod: 32900049 CDI45 80 0432 (01/08/2004)**

Ref.	Descrizione - Description - Beschreibung - Descripcion	Ricambio Part No. Piece E-Teil Pieza	Inizio Beginning Debut Begin Inicio	Fine Ending Fin End Fin
366	Front crosspiece	49005649		
370	LH tub support	49005642		
371	Rear crosspiece	49005645		
388	Spray arm support	49005738		
395	Air break ring nut	49005674		
397	Salt regulator	49005657		
408a	R/H later.panel	49005765		
408b	L/H later.panel	49005769		
491c	Mains cable x UK	49005680		
493	Upper cover	49005666		
512	Discharge rose	49005697		
512b	Discharge rose ring nut	49005719		
512c	Discharge rose gasket	49005618		
822	Rear covering	49005667		
824a	Rod	49006646		

AC220-240V/50HZ



Wiring diagram