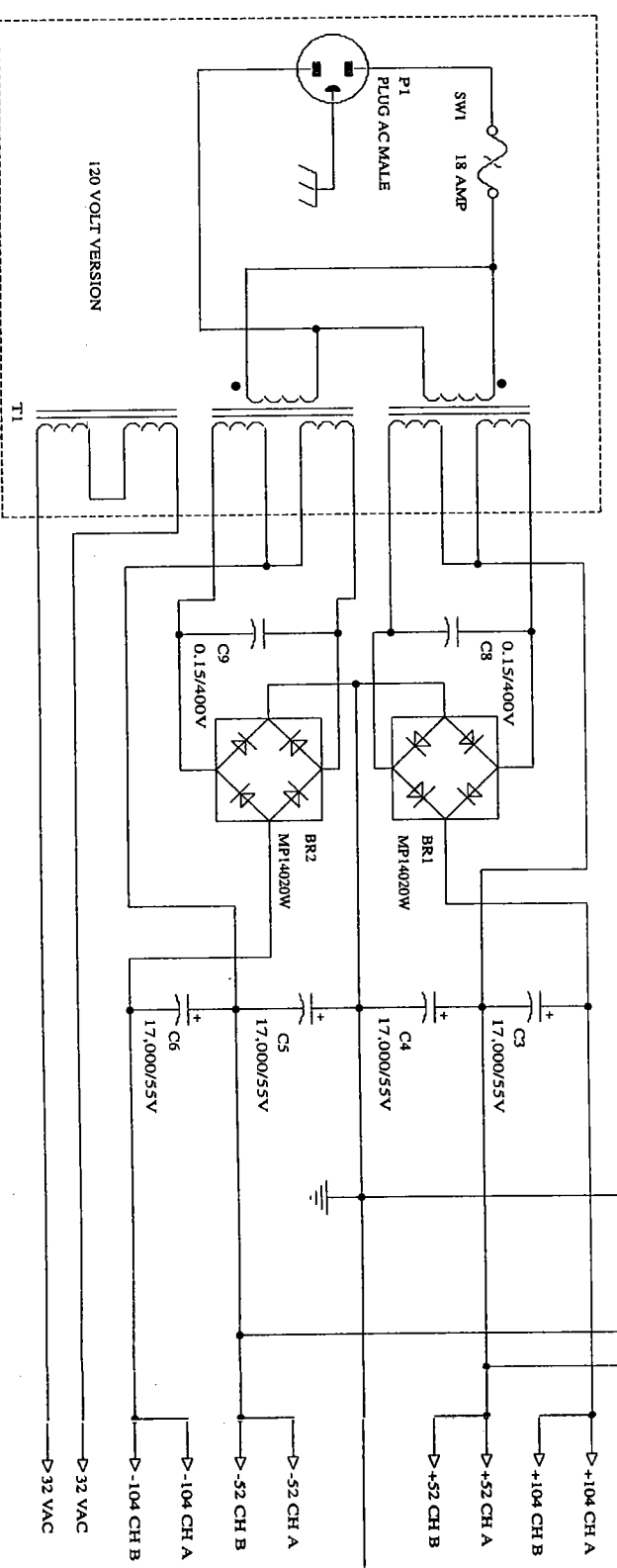


PRIOR TO 6-3-92 R14/R15 WERE 680/10W ON MODEL 4801



POSITIVE (+) HIGH RAIL VOLTAGE. RED  
 POSITIVE (+) LOW RAIL VOLTAGE. RED/BLACK  
 NEGATIVE (-) HIGH RAIL VOLTAGE. GREEN/BLACK  
 NEGATIVE (-) LOW RAIL VOLTAGE. GREEN

# SCHEMATIC #6A 4801 POWER SUPPLY/FAN DRIVER PCB

Title	4801 POWER SUPPLY/FAN DRIVER
Size	Document Number
Date:	OCTOBER 1992 SRVC
Sheet	1 of 1

CREST AUDIO INC.  
 100 EISENHOWER DRIVE  
 PARAMUS, NJ 07652