

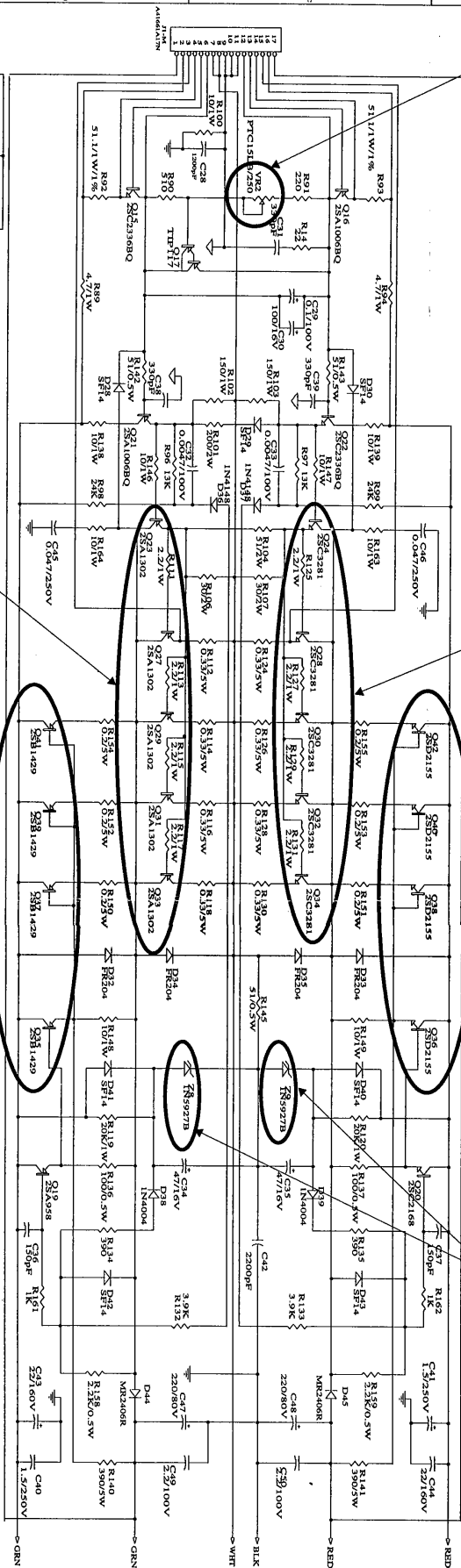
# SCHEMATIC #1 HEATSINK PCB

NEG (-) LOW RAIL DEVICES PNP.

NEG (-) HI RAIL DEVICES PNP.

NOTES: Q30, Q31, NOT USED ON MODELS 4801, CC151

Q35, 37, 39, 41 MAY BE SUBSTITUTED BY 2SA1302.  
Q36, 38, 40, 42 MAY BE SUBSTITUTED BY 2SC3281.



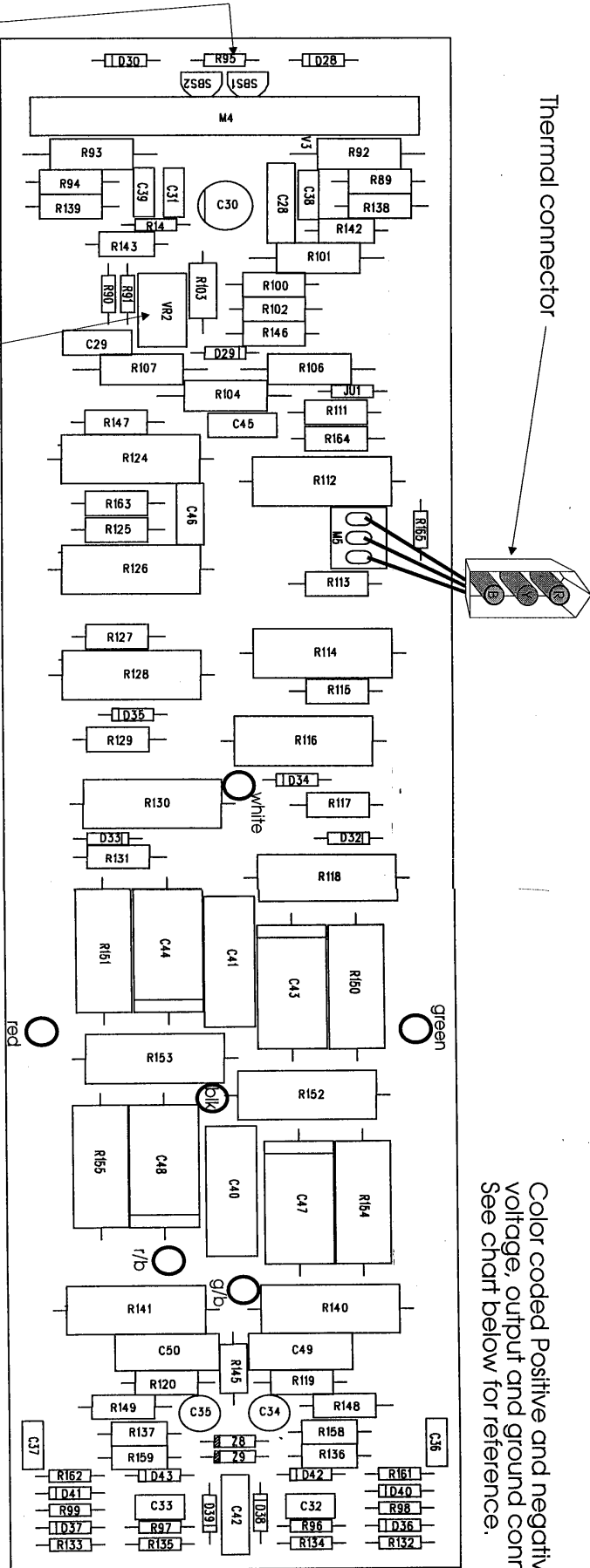
BIAS ADJUST.

POS(+) LOW RAIL DEVICES  
NPN.

POS(+) HI RAIL DEVICES  
NPN.

12 VOLT ZENER DIODES.

# COMPONENT LAYOUT #1 HEATSINK PCB 4801/6001/7001



Thermal connector

Color coded Positive and negative rail voltage, output and ground connector. See chart below for reference.

NOTE: SBS1, SBS2 and R95 have been removed from this circuit as of July 1991 S/N 9107XXX >

VR2 BIAS ADJUST

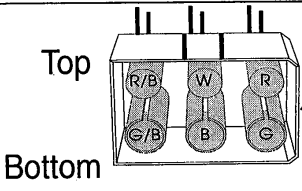
Rail Voltages (No load, at full mains voltage)

	low+	low-	hi+	hi-
4801	+52vdc	-52vdc	+104vdc	-104vdc
6001	+57vdc	-57vdc	+114vdc	-114vdc
7001	+61vdc	-61vdc	+122vdc	-122vdc

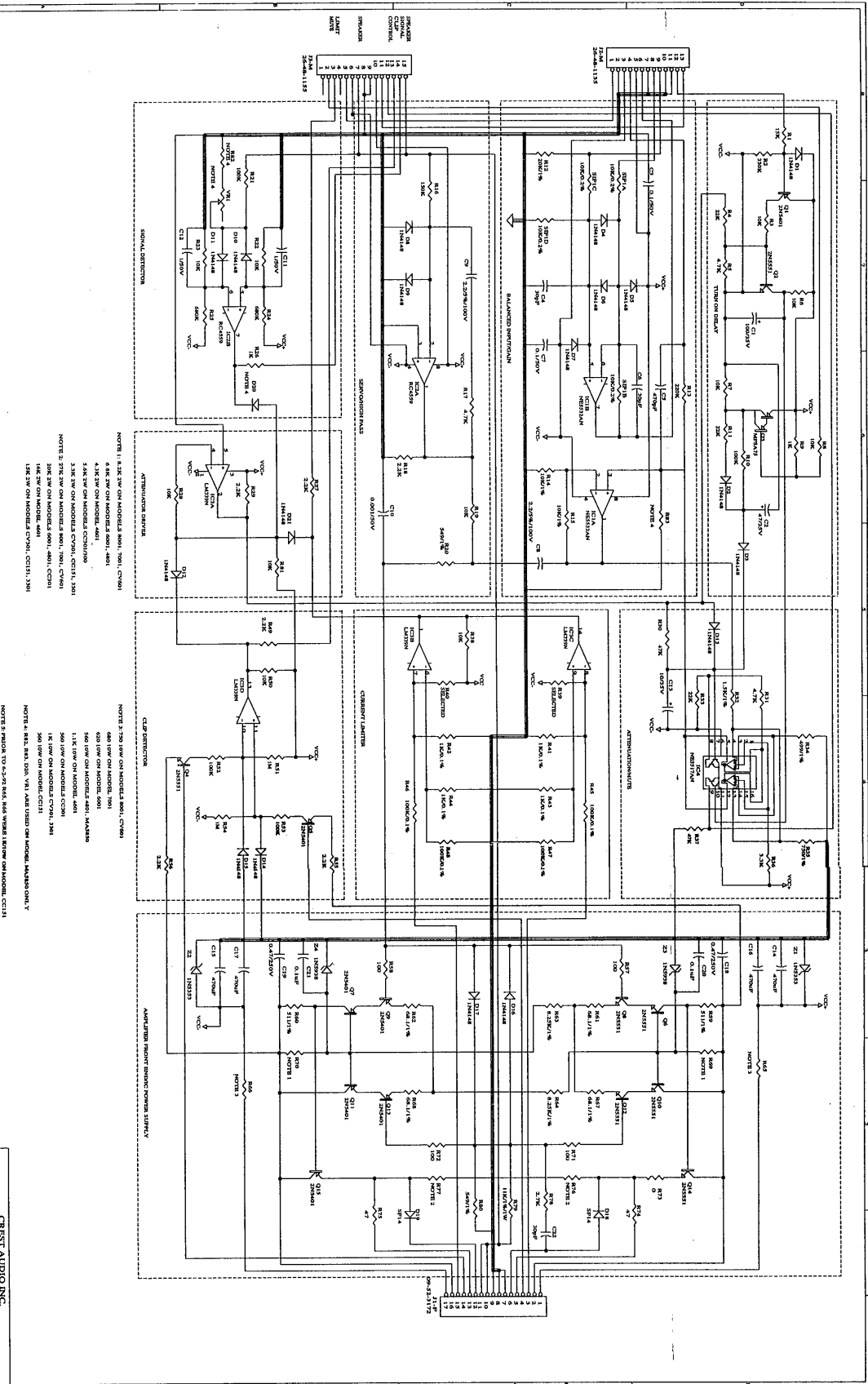
red/blk green/blk red green

white - output

black - ground



# SCHEMATIC # 2 PREAMP PCB



NOTE 1: 1.5K SW ON MODEL 4801, 7801, CV4801  
 4.7K SW ON MODEL 4801, 4801, 4801  
 4.7K SW ON MODEL 4801, 4801, 4801  
 3.3K SW ON MODEL 4801, 7801, CV4801  
 3.3K SW ON MODEL 4801, 7801, CV4801  
 3.3K SW ON MODEL 4801, 7801, CV4801  
 1.5K SW ON MODEL 4801, 7801, CV4801  
 1.5K SW ON MODEL 4801, 7801, CV4801  
 1.5K SW ON MODEL 4801, 7801, CV4801

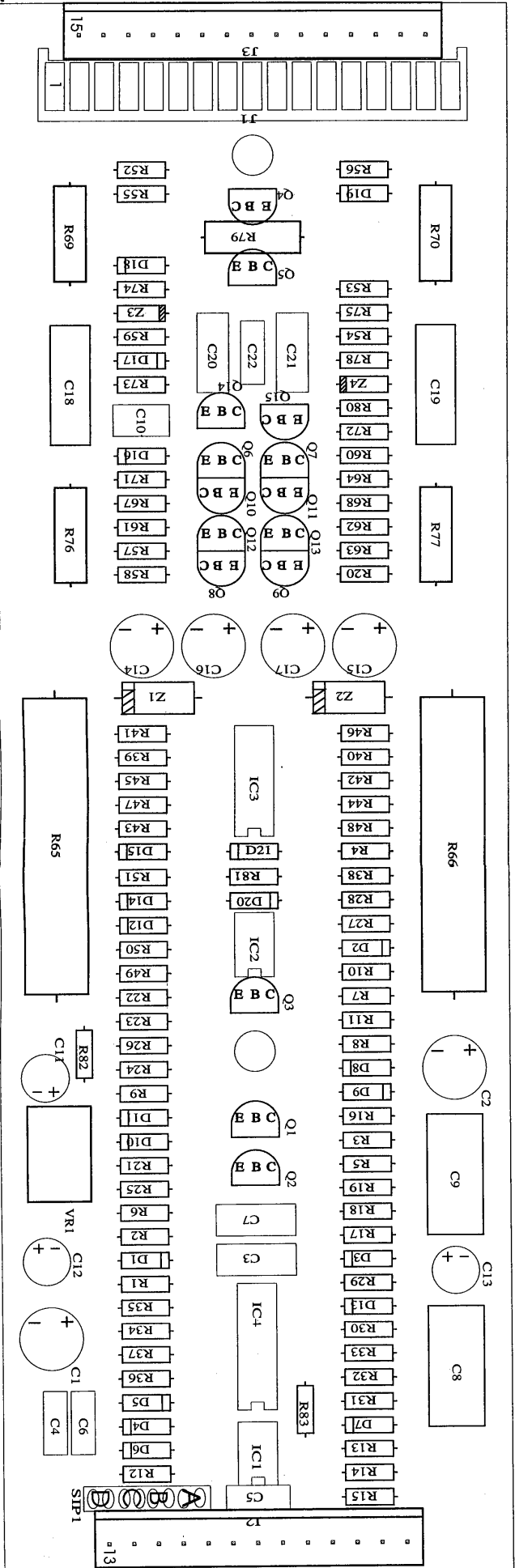
NOTE 2: 1.5K SW ON MODEL 4801, 7801, CV4801  
 1.5K SW ON MODEL 4801, 7801, CV4801  
 1.5K SW ON MODEL 4801, 7801, CV4801  
 1.5K SW ON MODEL 4801, 7801, CV4801  
 1.5K SW ON MODEL 4801, 7801, CV4801  
 1.5K SW ON MODEL 4801, 7801, CV4801  
 1.5K SW ON MODEL 4801, 7801, CV4801  
 1.5K SW ON MODEL 4801, 7801, CV4801  
 1.5K SW ON MODEL 4801, 7801, CV4801

NOTE 3: 1.5K SW ON MODEL 4801, 7801, CV4801  
 1.5K SW ON MODEL 4801, 7801, CV4801  
 1.5K SW ON MODEL 4801, 7801, CV4801  
 1.5K SW ON MODEL 4801, 7801, CV4801  
 1.5K SW ON MODEL 4801, 7801, CV4801  
 1.5K SW ON MODEL 4801, 7801, CV4801  
 1.5K SW ON MODEL 4801, 7801, CV4801  
 1.5K SW ON MODEL 4801, 7801, CV4801  
 1.5K SW ON MODEL 4801, 7801, CV4801

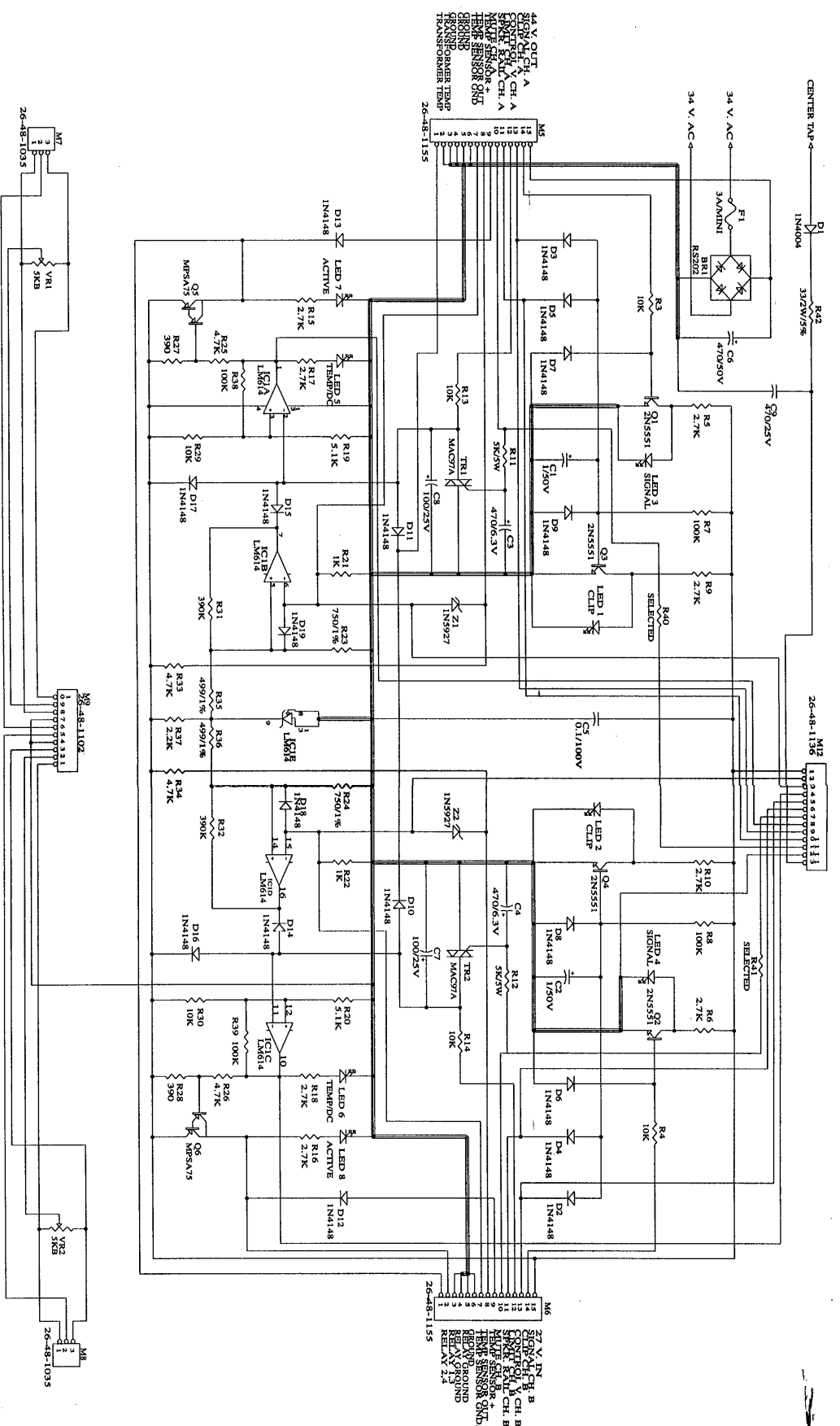
DATE	REV
11/11/00	1
11/11/00	2
11/11/00	3
11/11/00	4
11/11/00	5
11/11/00	6
11/11/00	7
11/11/00	8
11/11/00	9
11/11/00	10
11/11/00	11
11/11/00	12
11/11/00	13
11/11/00	14
11/11/00	15
11/11/00	16
11/11/00	17
11/11/00	18
11/11/00	19
11/11/00	20
11/11/00	21
11/11/00	22
11/11/00	23
11/11/00	24
11/11/00	25
11/11/00	26
11/11/00	27
11/11/00	28
11/11/00	29
11/11/00	30
11/11/00	31
11/11/00	32
11/11/00	33
11/11/00	34
11/11/00	35
11/11/00	36
11/11/00	37
11/11/00	38
11/11/00	39
11/11/00	40
11/11/00	41
11/11/00	42
11/11/00	43
11/11/00	44
11/11/00	45
11/11/00	46
11/11/00	47
11/11/00	48
11/11/00	49
11/11/00	50

CREST AUDIO INC.  
 1000 W. 10TH ST. SUITE 100  
 DENVER, CO 80202  
 PHONE: 303.733.8888  
 FAX: 303.733.8889  
 WWW: WWW.CRESTAUDIO.COM

# COMPONENT LAYOUT #2 PREAMP PCB



# SCHEMATIC #3 DISPLAY PCB

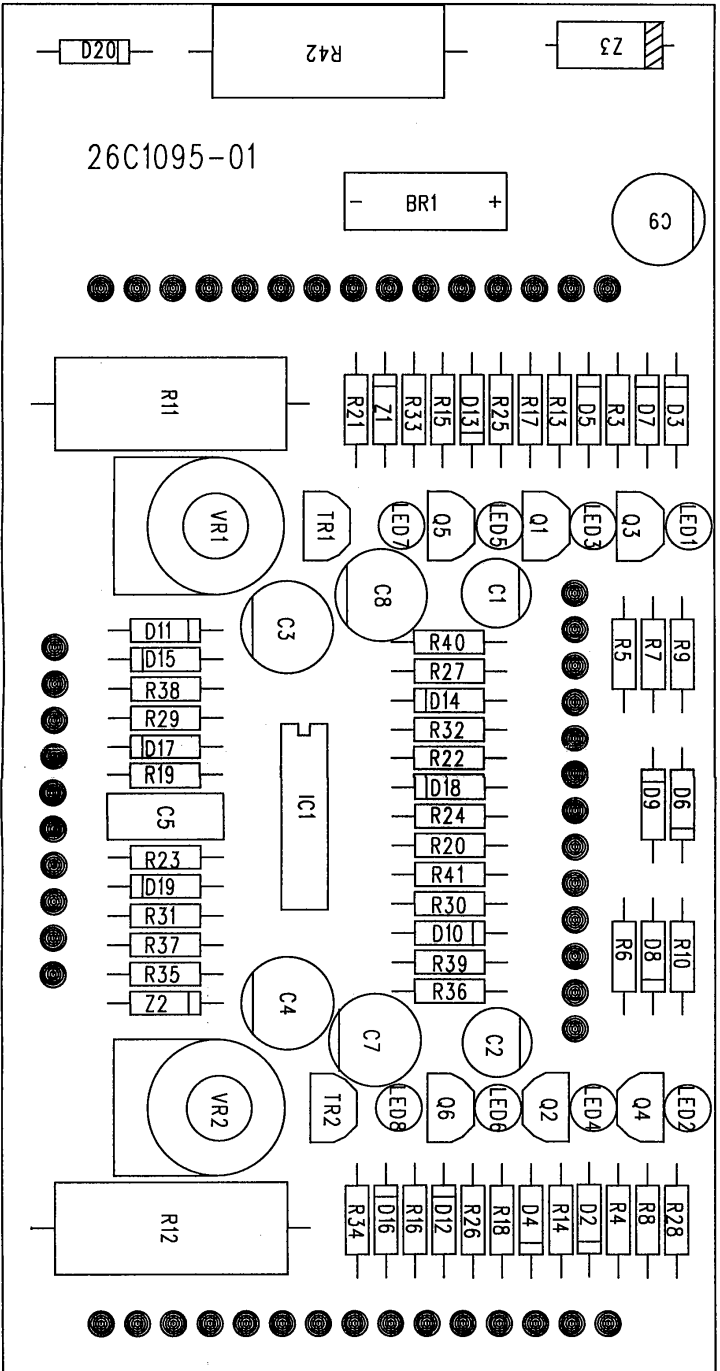


## R40, R41 RESISTOR VALUES

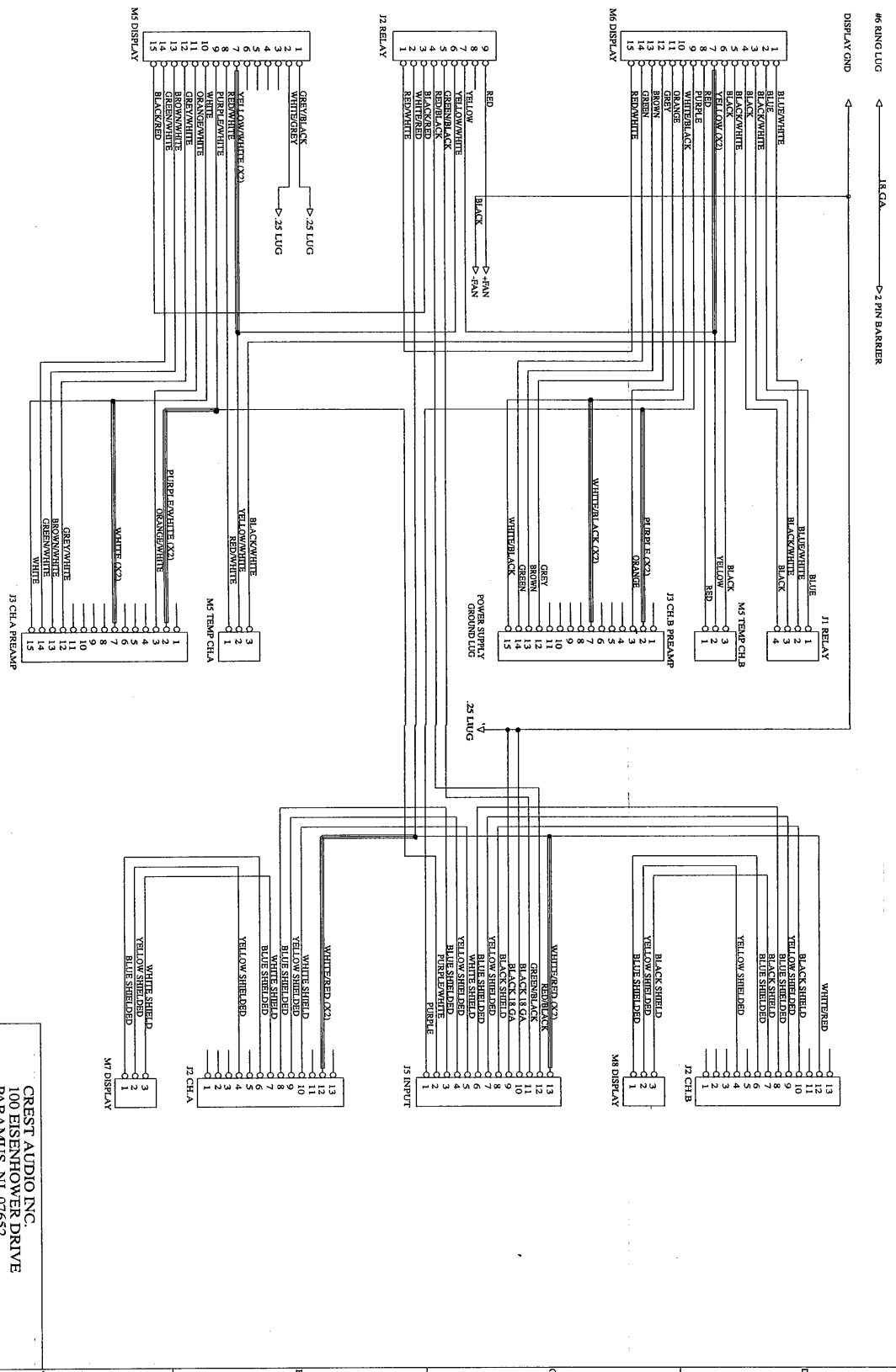
MODEL	VALUE
3301	41.2K 1/4W/1%
4601	53.6K 1/4W/1%
4801	60.4K 1/4W/1%
6001	73.2K 1/4W/1%
7001	84.5K 1/4W/1%

CREST AUDIO INC.  
 100 BIRNBOURNE DRIVE  
 PARAMOUNT, NJ 07652  
 TOLL FREE 1-800-448-3300  
 CREST AUDIO SERVICE MANUAL  
 MODEL #3  
 DATE 1982

# COMPONENT LAYOUT #3 DISPLAY PCB



# SCHEMATIC #4C 4801 HARNNESS

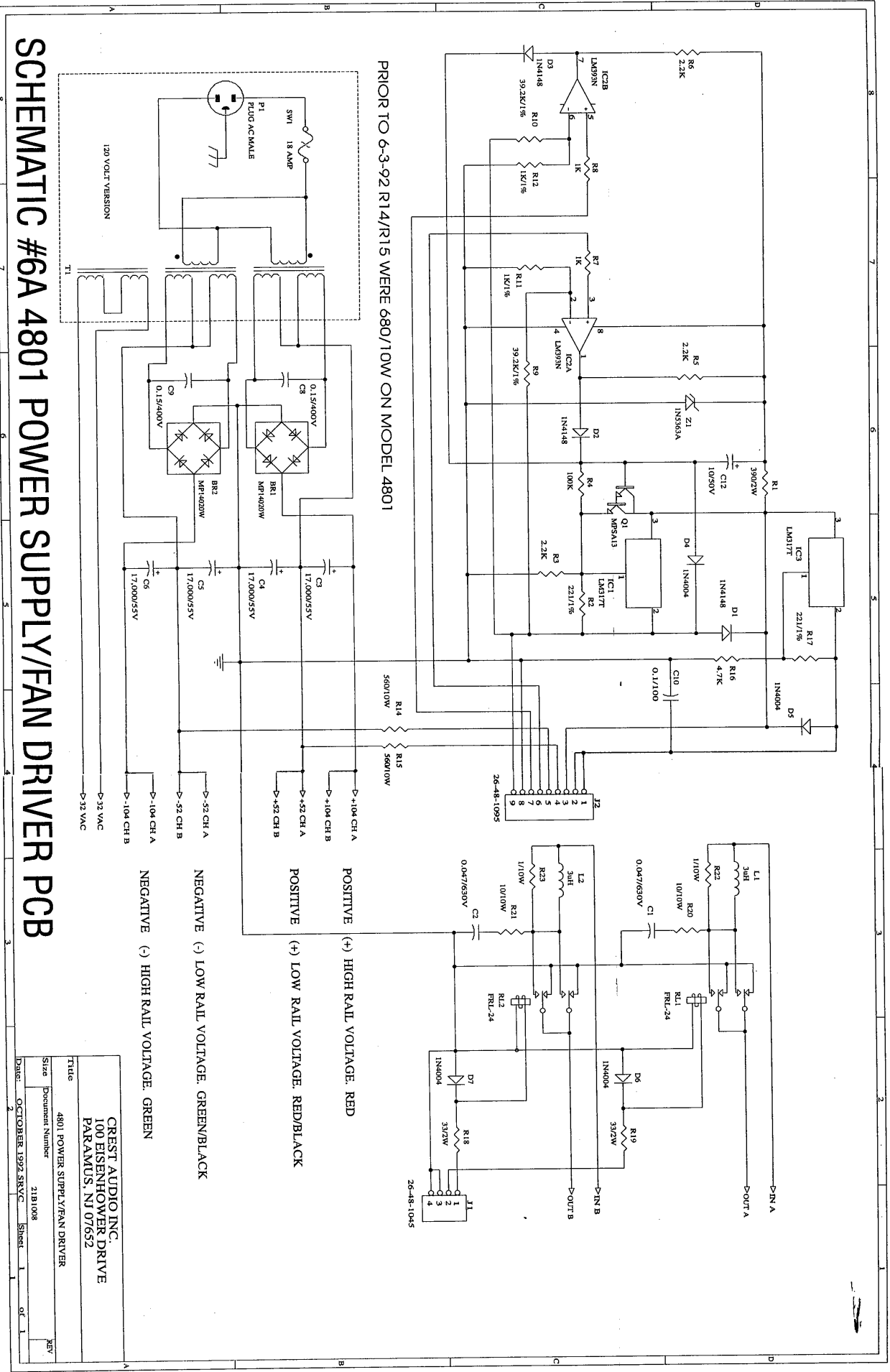


CREST AUDIO INC.  
 100 EISENHOWER DRIVE  
 PARAMUS, NJ 07652

Title: 4801 HARNESS SCHEMATIC  
 Document Number: 2181010

Date: OCTOBER 1992 SRVC. Sheet 1 of 1

REV



PRIOR TO 6-3-92 R14/R15 WERE 680/10W ON MODEL 4801

# SCHEMATIC #6A 4801 POWER SUPPLY/FAN DRIVER PCB

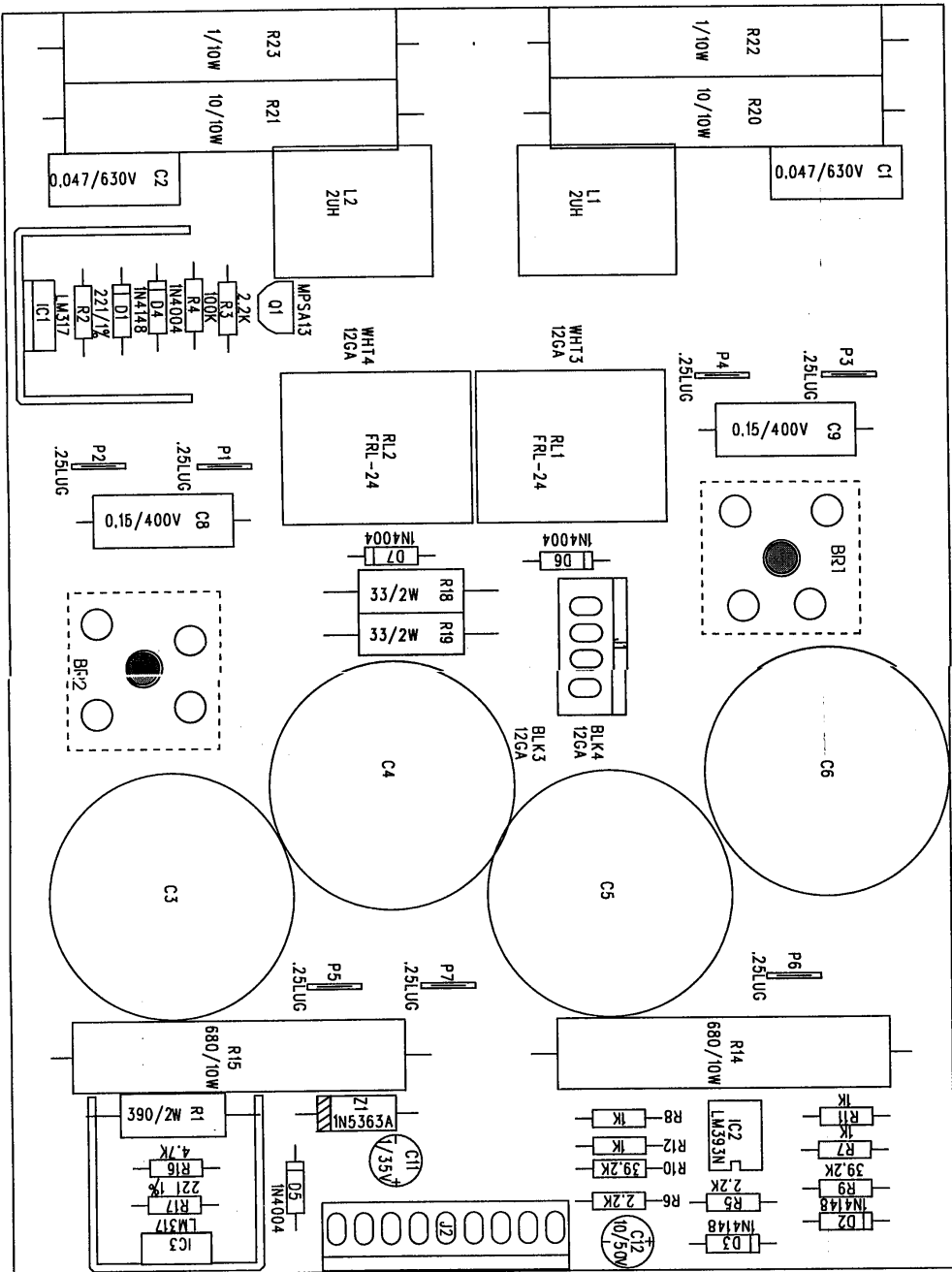
- +104 CH A
  - +104 CH B
  - +52 CH A
  - +52 CH B
  - -104 CH A
  - -104 CH B
  - -52 CH A
  - -52 CH B
  - 32 VAC
  - 104 VAC
  - 120 VOLT VERSION
- POSITIVE (+) HIGH RAIL VOLTAGE. RED  
 POSITIVE (+) LOW RAIL VOLTAGE. RED/BLACK  
 NEGATIVE (-) LOW RAIL VOLTAGE. GREEN/BLACK  
 NEGATIVE (-) HIGH RAIL VOLTAGE. GREEN

CREST AUDIO INC. 100 EISENHOWER DRIVE PARAMUS, NJ 07652	
TITLE 4801 POWER SUPPLY/FAN DRIVER	DATE OCTOBER 1992 SRVC
SIZE Document Number 21B1008	SHEET 1 OF 1



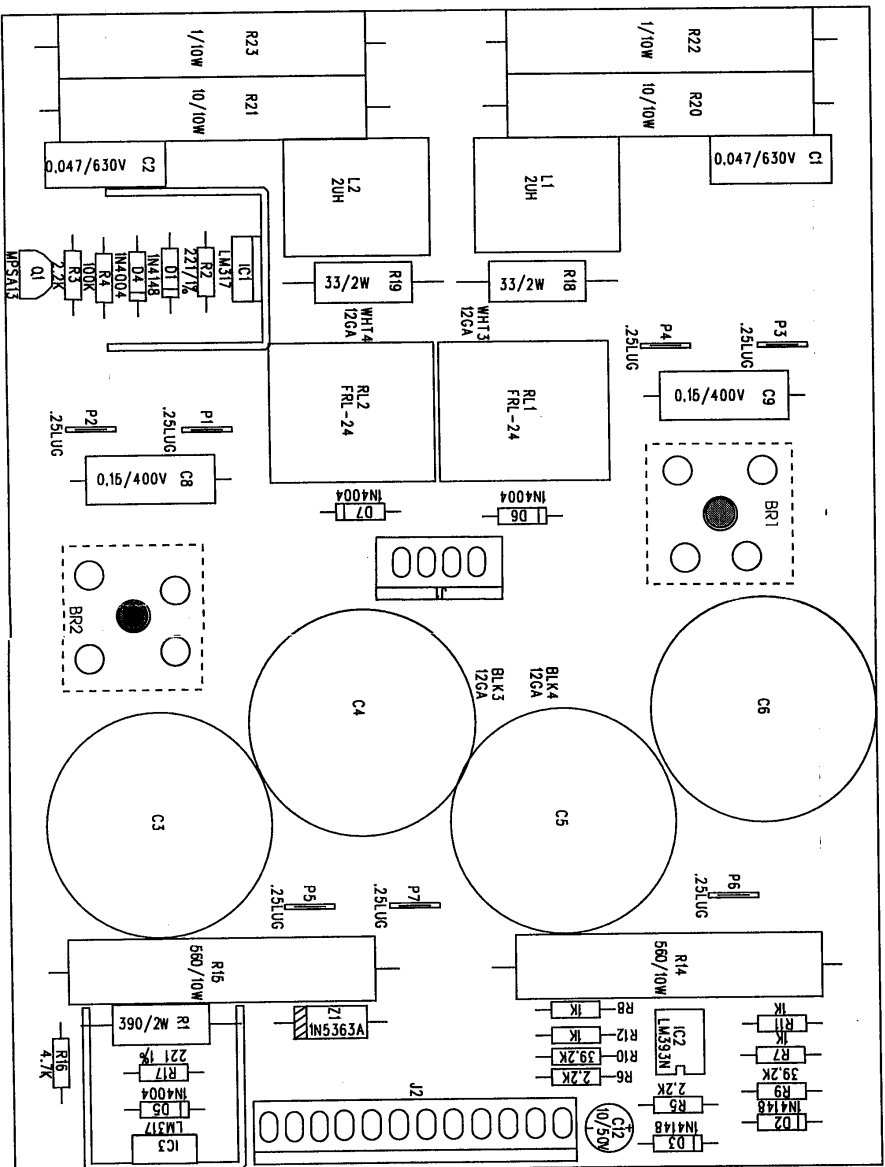
# COMPONENT LAYOUT #6A 4801 POWER SUPPLY / FAN DRIVER PCB

Used on model 4801 until 3/89. Serial number 8903A00  
 and on use the new style as shown in Component Layout #6A-1.



NOTES: C3, C4, C5, C6 ARE 17,000uF/55V  
 BR1 AND BR2 ARE MOUNTED ON THE BOTTOM OF THE PCB.

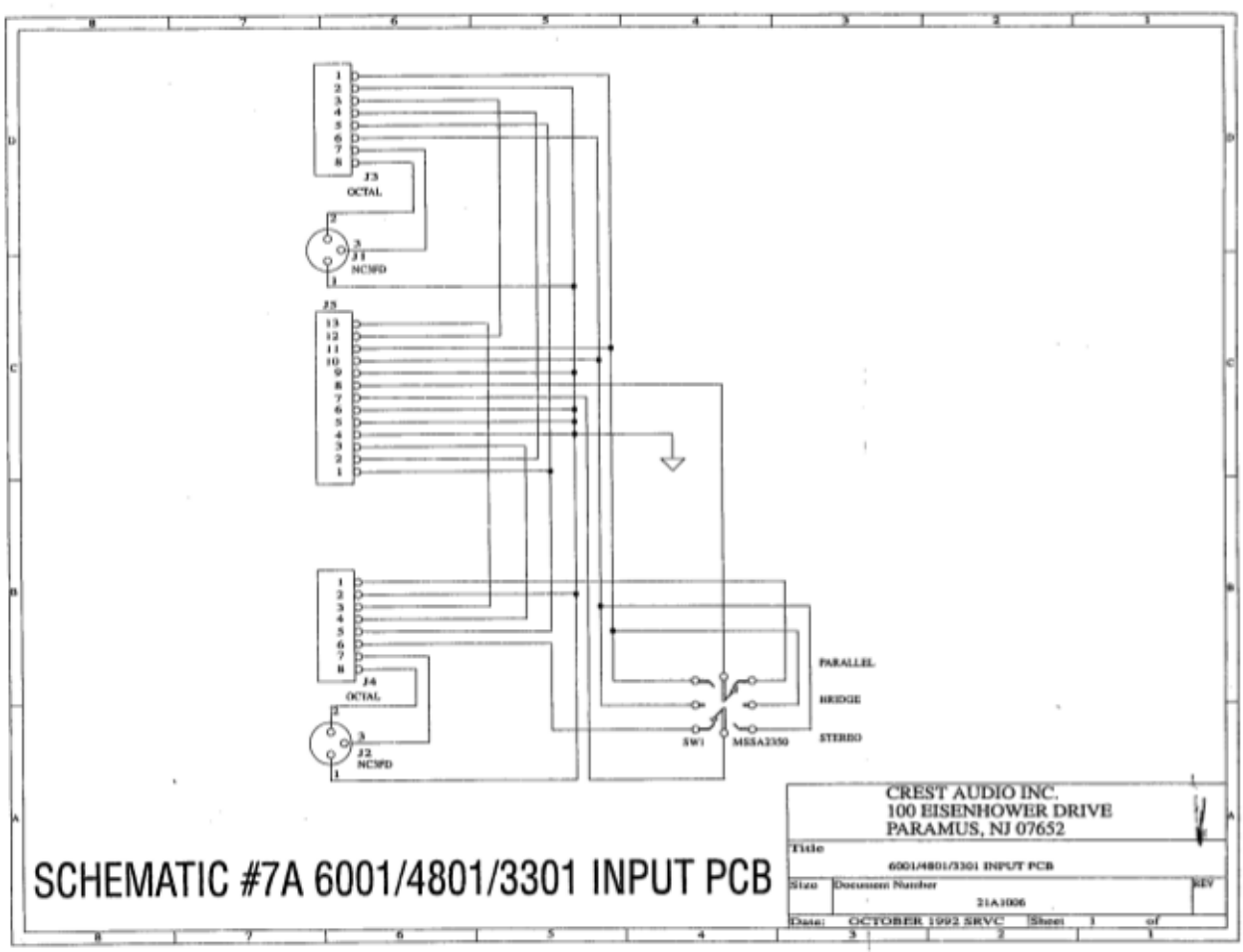
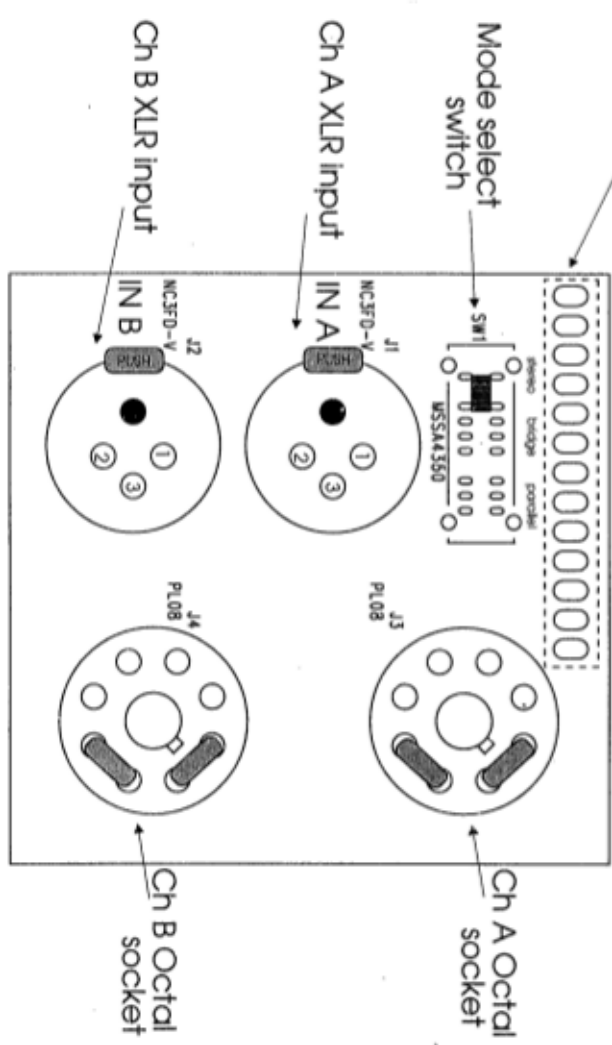
# COMPONENT LAYOUT #6A-1 4801 POWER SUPPLY / FAN DRIVER PCB USED ON MODEL 4801 FROM SERIAL NUMBER 8903A00 (3/89) ON.



NOTES: C3, C4, C5, C6 ARE 17,000UF/55V  
 BR1 AND BR2 ARE MOUNTED ON THE BOTTOM OF THE PCB.

# COMPONENT LAYOUT #7A 6001/4801/3301 INPUT PCB

The 13 pin connector is mounted on the back of the board.



CREST AUDIO INC. 100 EISENHOWER DRIVE PARAMUS, NJ 07652	
Title	6001/4801/3301 INPUT PCB
Size	Document Number 21A1006
Date	OCTOBER 1992 SRVC Sheet 1 of 1

**SCHEMATIC #7A 6001/4801/3301 INPUT PCB**