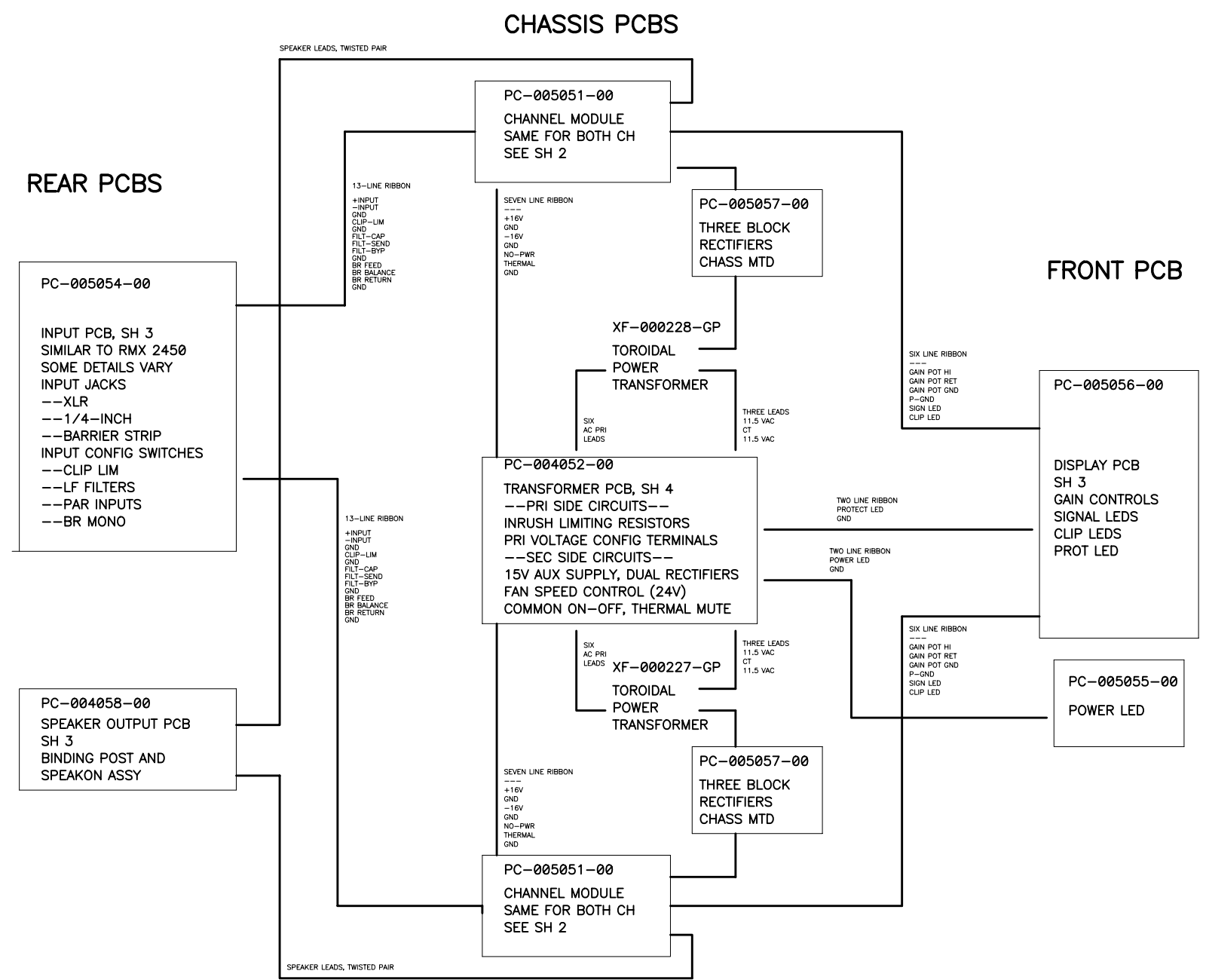


THIS DOCUMENT CONTAINS PROPRIETARY INFORMATION WHICH IS THE PROPERTY OF QSC AUDIO PRODUCTS, THAT MAY NOT BE DISCLOSED, REPRODUCED OR USED WITHOUT EXPRESS WRITTEN CONSENT FROM QSC AUDIO PRODUCTS.

# WIRING DIAGRAM AND PCB ARRANGEMENT

REVISION				
REV	DESCRIPTION	EFF. DATE	CHK	APPROVED / DATE
A	PRODUCTION RELEASE PER ECO 5875 AA	9-05-03		



- 11. ZENER TOLERANCE IS 5%
- 10. SMT CAPACITOR VOLTAGE IS 50V
- 9. SMT RESISTOR WATTAGE RATING IS 0.1W UNLESS MARKED 1206, 0.2W SMT RESISTOR TOLERANCE 1%
- 8. THRU HOLE RESISTORS USED FOR 1/4W AND HIGHER. FOR RESISTOR WATTAGE RATINGS GREATER THAN 1W, TOLERANCE IS 5% FOR RESISTOR WATTAGE RATINGS LESS THAN 1/2W, TOLERANCE IS 1%
- 7. THROUGH-HOLE FILM AND CERAMIC CAPACITOR TOLERANCE IS 10%, VOLTAGE IS 100V
- 6. ELECTROLYTIC CAPACITOR TOLERANCE IS 20%
- 5. ALL RIBBON CABLES ARE CONNECTED PIN TO CORRESPONDING PIN
- 4. PART NUMBERING SCHEME PARTS IN COMMON TO BOTH CH: 1-99. CH 1 AND 2 PARTS (USES SAME PCB) 101-UP
- 3. COMPONENTS MARKED WITH  $\Delta$  ARE SAFETY CRITICAL PARTS.
- 2. COMPONENTS WITH VALUE PREFIXED WITH A "\*" REPRESENT SMT COMPONENTS.
- 1. THIS DRAWING USED IN CONJUNCTION WITH ASSEMBLY WP-005051-00

NOTES: UNLESS OTHERWISE SPECIFIED

QTY	ITEM NO.	PART NO.	DESCRIPTION	VENDOR
<b>PARTS LIST</b>				
UNLESS OTHERWISE SPECIFIED DIMENSIONS ARE IN INCHES. DIMENSIONS PER ANSI Y14.5-1982 TOLERANCES ARE:			CONTRACT NO.	
DECIMALS	DECIMALS	ANGLES		
.XX ±	.XXX ±	0		
DEBURR EDGES .XXX R MAX MATERIAL				
FINISH			APPROVALS	DATE
NEXT ASSY USED ON			DRAWN PAT QUILTER	
APPLICATION			CHECKED	
DO NOT SCALE DRAWING			ISSUED	
CAD SEED FILE NO.			SIZE FSCM NO. DWG NO. SH-005051-00 REV A	
SCALE NONE			CAD FILE NO. SH85051A.sch SHEET 1 OF 4	

A REV 1 SH-005051-00

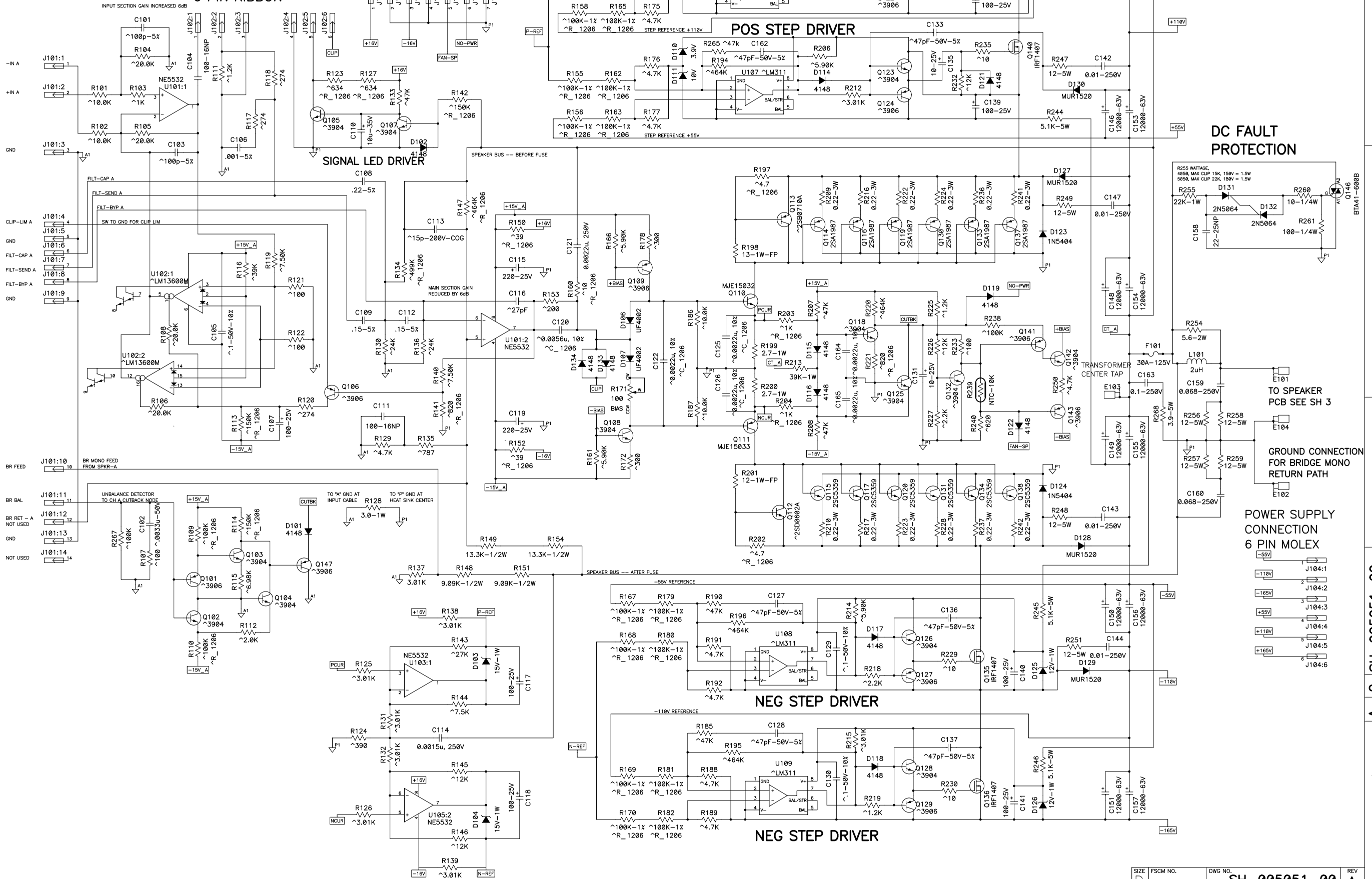
THIS DOCUMENT CONTAINS PROPRIETARY INFORMATION WHICH IS THE PROPERTY OF OSC AUDIO PRODUCTS, THAT MAY NOT BE DISCLOSED, REPRODUCED OR USED WITHOUT EXPRESS WRITTEN CONSENT FROM OSC AUDIO PRODUCTS.

PC-005051-00

TO REAR PANEL INPUT PCB  
SEE SH 3  
14 PIN RIBBON

TO FRONT PANEL PCB  
POT, SIG, CLIP LED  
SEE SH 3  
6 PIN RIBBON

TO TRANSFORMER PCB  
SEE SH 4  
7 PIN RIBBON

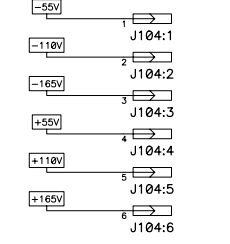


DC FAULT PROTECTION

TO SPEAKER PCB SEE SH 3

GROUND CONNECTION FOR BRIDGE MONO RETURN PATH

POWER SUPPLY CONNECTION  
6 PIN MOLEX



NOTES: UNLESS OTHERWISE SPECIFIED

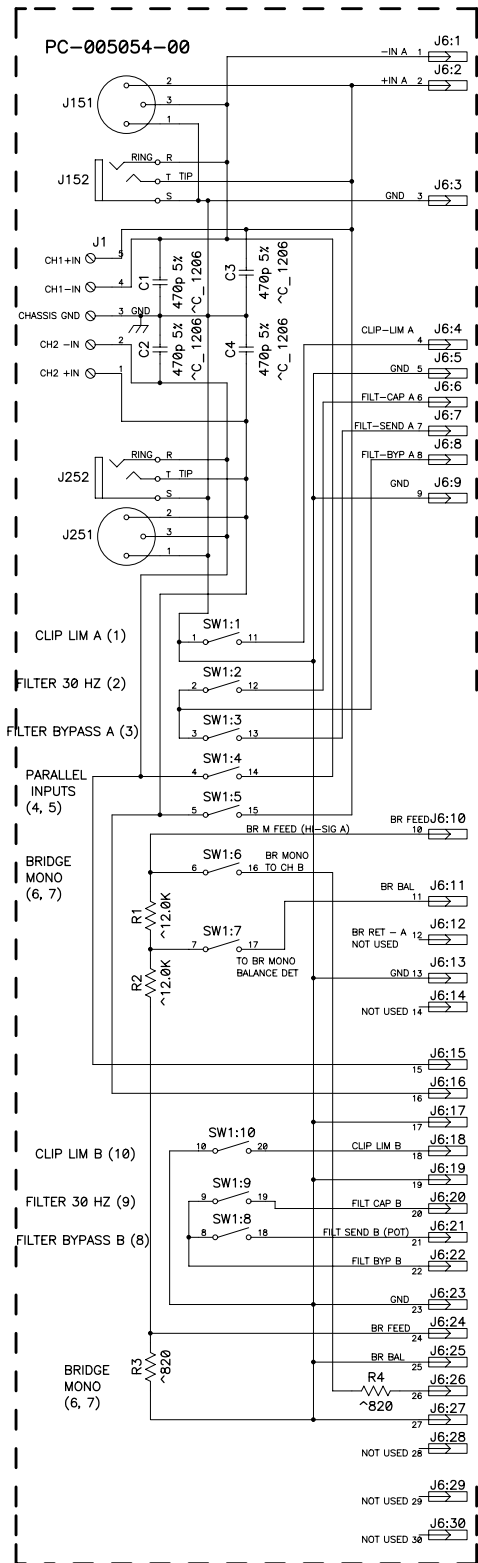
SIZE	FSCM NO.	DWG NO.	REV
D		SH-005051-00	A
SCALE	NONE	CAD FILE NO.	SHEET 2 OF 4
			PLOT DATE:

THIS DOCUMENT CONTAINS PROPRIETARY INFORMATION WHICH IS THE PROPERTY OF QSC AUDIO PRODUCTS, THAT MAY NOT BE DISCLOSED, REPRODUCED OR USED WITHOUT EXPRESS WRITTEN CONSENT FROM QSC AUDIO PRODUCTS.

### REAR PANEL INPUT PCB DUAL 14-CONDUCTOR CABLES ONE TO EACH CHANNEL

CH 1 INPUTS

CH 2 INPUTS



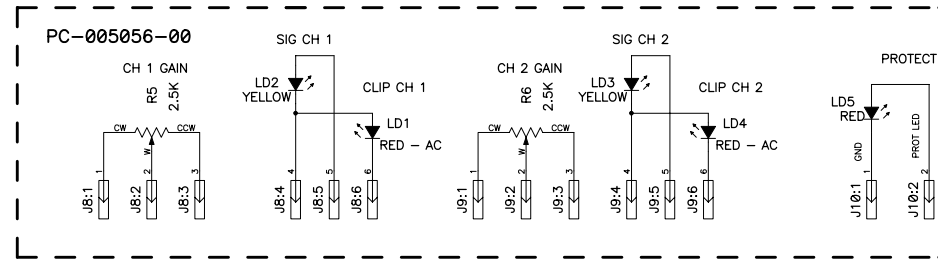
TO J101, CHANNEL 1 PCB

TO J101, CHANNEL 2 PCB

-IN B  
+IN B  
GND  
CLIP-LIM B  
GND  
FILT-CAP B  
FILT-SEND B  
FILT-BYP B  
GND  
BR FEED  
USED FOR BAL  
BR BAL B  
NOT USED ON CH B  
BR RET - B  
FB NODE  
GND

### FRONT PCB, 2-GAIN, 2-SIG LED, 2-CLIP LED, PROT LED

NOTE - USE NEW 2.5K LINEAR 3B RIGHT ANGLE POT, FRONT PANEL PCB

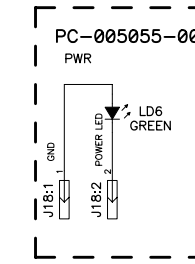


TO J102 OF CHANNEL 1 PCB

TO J102 OF CHANNEL 2 PCB

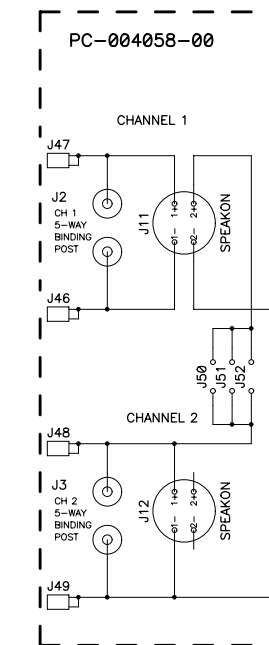
TO J20 OF AC PCB

### POWER LED PCB



TO J21 OF AC PCB

### SPEAKER PCB



NOTES: UNLESS OTHERWISE SPECIFIED

SIZE	FSCM NO.	DWG NO.	REV
D		SH-005051-00	A
SCALE	NONE	CAD FILE NO. SH05051rA.sch	SHEET 3 OF 4
PLOT DATE:			

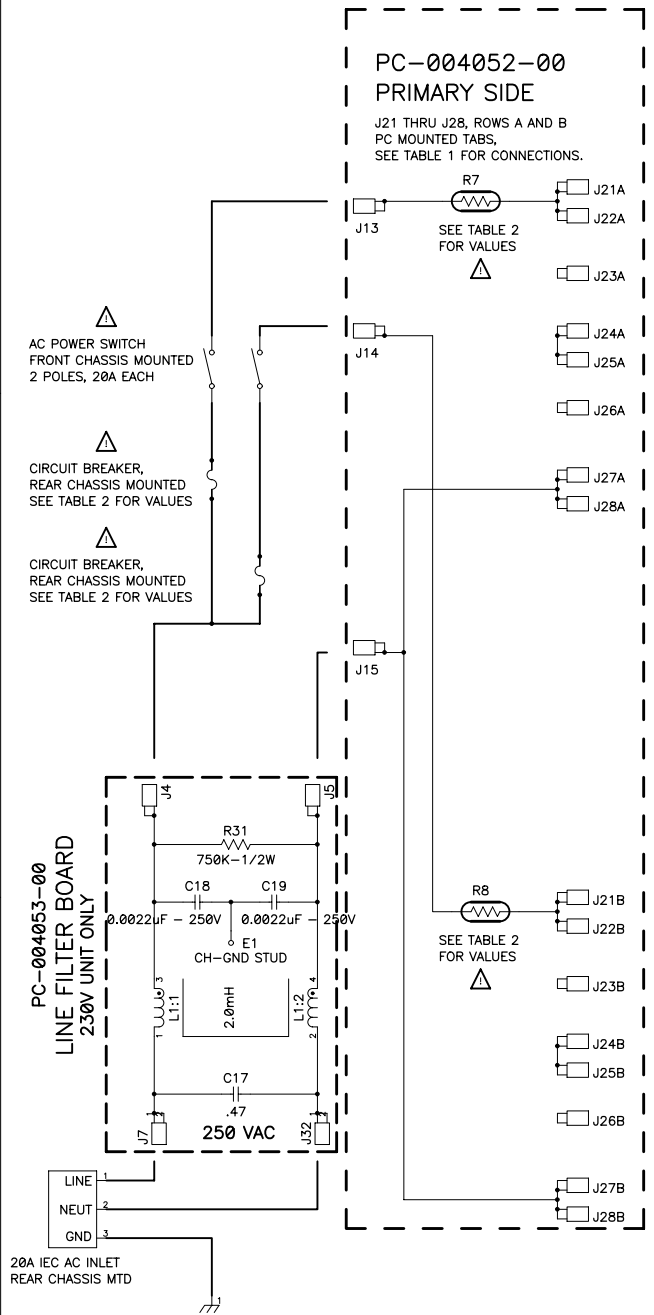
THIS DOCUMENT CONTAINS PROPRIETARY INFORMATION WHICH IS THE PROPERTY OF OSC AUDIO PRODUCTS, THAT MAY NOT BE DISCLOSED, REPRODUCED OR USED WITHOUT EXPRESS WRITTEN CONSENT FROM OSC AUDIO PRODUCTS.

AC LINE VOLTAGE				TAB
100V	120V	240V		
A	A	A	J21	POWER TRANSFORMER PRIMARY LEAD COLOR
D	D	-	J22	
C	B	B	J23	
-	-	C	J24	
-	-	D	J25	
F	E	E	J26	
B	C	-	J27	
E	F	F	J28	

	AC LINE VOLTAGE		
	100V	120V	240V
CIRCUIT BREAKER	20A-125V	20A-125V	10A-250V
INRUSH RESISTOR	1 OHM 30A	1 OHM 30A	4 OHM 15A
LINE FILTER	NO	NO	YES

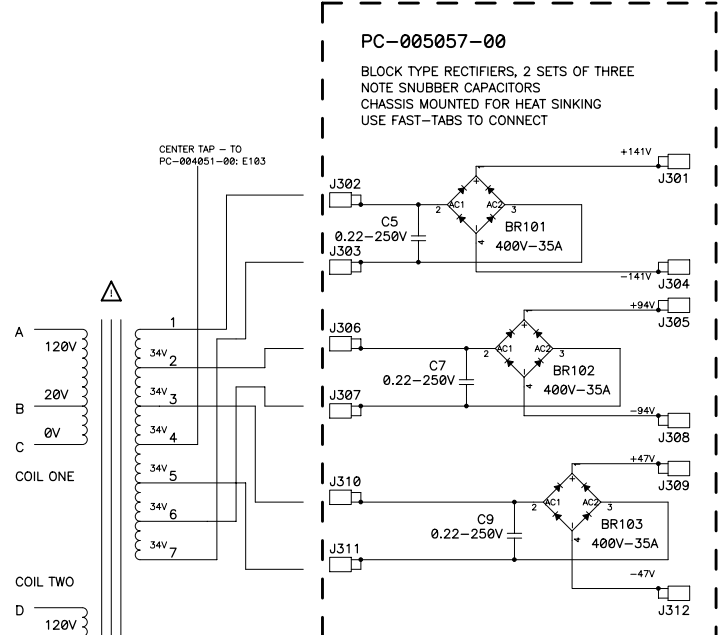
**PC-004052-00  
PRIMARY SIDE**

J21 THRU J28, ROWS A AND B  
PC MOUNTED TABS,  
SEE TABLE 1 FOR CONNECTIONS.

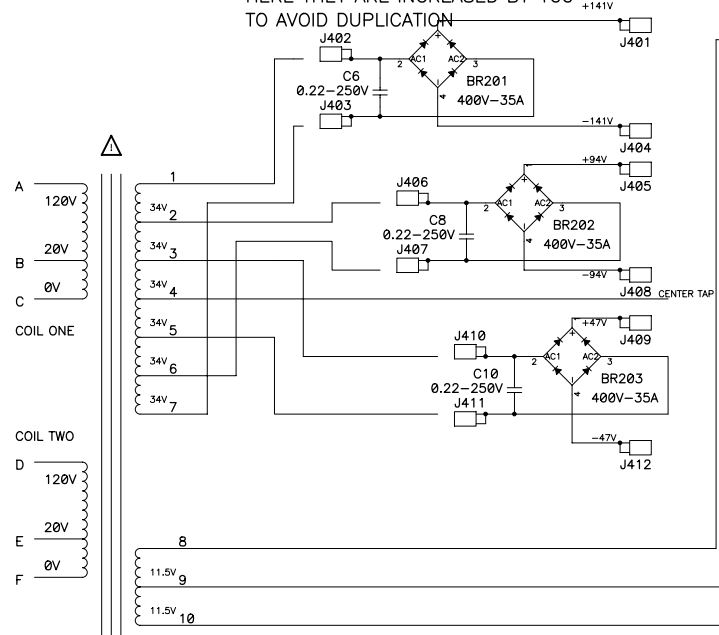


**PC-005057-00**

BLOCK TYPE RECTIFIERS, 2 SETS OF THREE  
NOTE SNUBBER CAPACITORS  
CHASSIS MOUNTED FOR HEAT SINKING  
USE FAST-TABS TO CONNECT

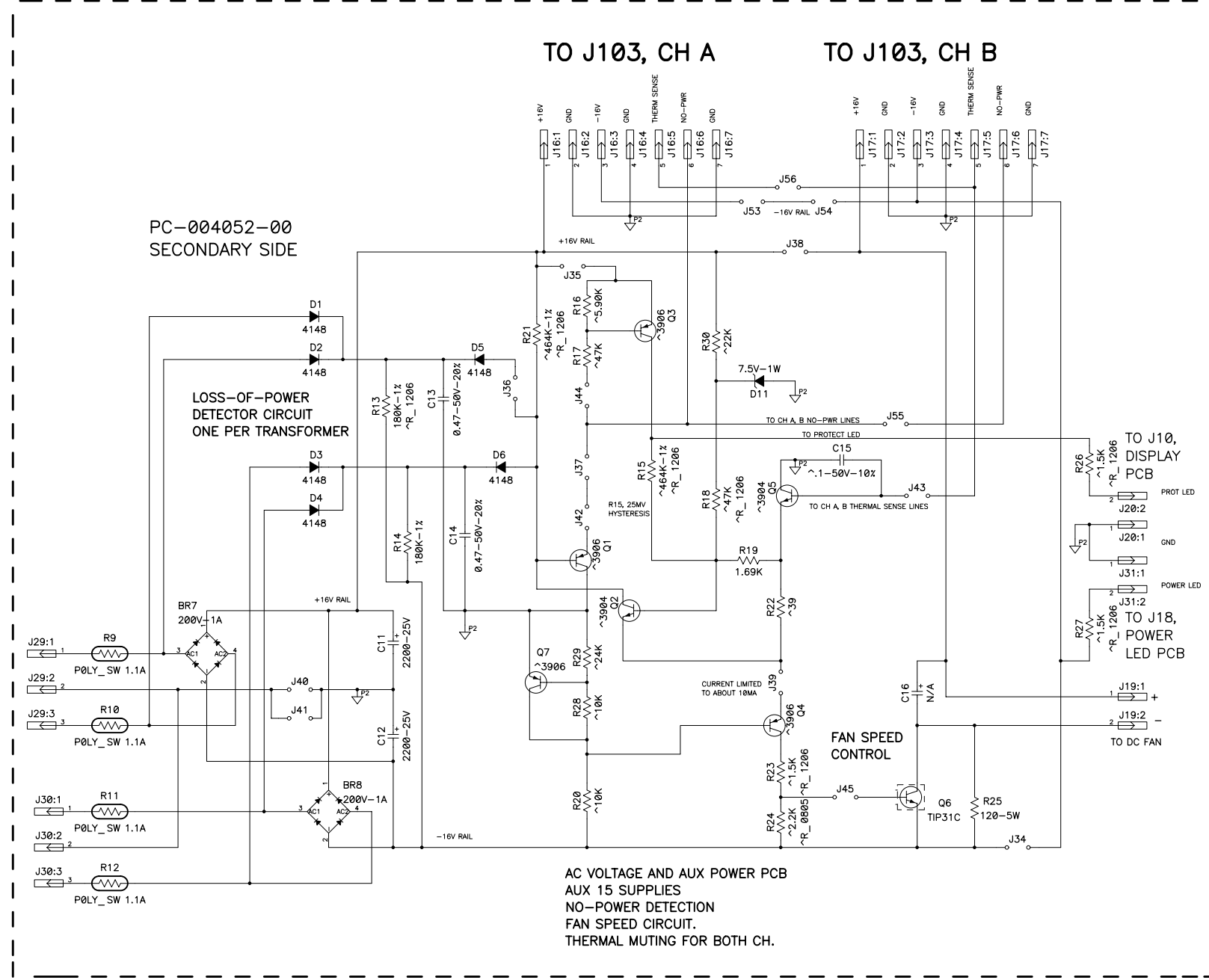


CH B Z TABS DO NOT REALLY  
HAVE DIFFERENT REF DES.  
HERE THEY ARE INCREASED BY 100  
TO AVOID DUPLICATION



**PC-004052-00  
SECONDARY SIDE**

LOSS-OF-POWER  
DETECTOR CIRCUIT  
ONE PER TRANSFORMER



AC VOLTAGE AND AUX POWER PCB  
AUX 15 SUPPLIES  
NO-POWER DETECTION  
FAN SPEED CONTROL.  
THERMAL MUTING FOR BOTH CH.

NOTES: UNLESS OTHERWISE SPECIFIED

# RMX 5050 Parts List (120V)

## Display Board Assembly (QSC part # PCB-QZ120C-DIS) Quantity: 1

QSC Part #	Description	Qty.	Reference or Comments
1725-607B-0000	PCB PWR/PSU2/OUT/DIS/LED	1	5001
2102-021S-004	2P ST.WAFER	1	J10
102-061R-004	WAFER 6 PIN P2.5	2	J8, J9
3700-1624-R	LED 4.7MM RED AC W/STAND	2	LD2, LD4
3700-4529-R	LED 04mm RED W/STAND	1	LD5
3700-4530-Y	LED 04mm YELLOW W/STAND	2	LD1, LD3
152-3584-0	NYLON SPACER 03X9	5	REF: LD1-LD5
4751-0420-0	VR RV06002-23E3-20FW-B2.5K-9D-SHAFT 2.5K	2	R5, R6

## Input Board Assembly (QSC part # PCB-QZ120C-INP) Quantity: 1

QSC Part #	Description	Qty.	Reference or Comments
150F-471J-5-OF	CC 50V 470pF 5% RL 8x3.5	4	C1-C4
1725-607B-0000	PCB PWR/PSU2/OUT/DIS/LED	1	7001
2101-1395-0	SOCKET 30PIN DUA/ROW IEC ANGLE	1	J6
2113-1335-0	5 POLE SPEAKER TERMINAL	1	J1
2113-1337-1	XLR FEMALE CONN.	2	J151, J251
113-1652-0	PHONE JACK 06.4	2	J152, J252
2904-3006-3000	SCREW M3X6 BINDING (BLK)	1	7003
4134-8421-0	BRASS STUD M3 L=18mm	1	7002
5200-4713-0	10 POLE DIP SWITCH	1	SW1

### SMT components

4720-123A-J	RMG 1/10W 12K 1% 0805	2	R1, R2
4720-821A-J	RMG 1/10W 820R 1% 0805	2	R3, R4

## Power LED Board Assembly (QSC part # PCB-QZ120C-LEDP) Quantity: 1

QSC Part #	Description	Qty.	Reference or Comments
1725-607B-0000	PCB PWR/PSU2/OUT/DIS/LED	1	6001
2102-021S-004	2P ST.WAFER	1	J18
3700-4531-G	LED 04mm GREEN W/STAND	1	LD6
4152-3584-0	NYLON SPACER 03X9	1	LD6

## Output Board Assembly (QSC part # PCB-QZ120C-OUT) Quantity: 1

QSC Part #	Description	Qty.	Reference or Comments
1725-606A-0002	PCB PSU RMX4050HD	1	4001
2101-1231-0	SPADE TERMINAL 6.3X0.8	4	J46-J49
2113-1336-1	SPEAKON NEUTRIK 4 WIRE	2	J11, J12
2113-1338-0	4-POLE SPEAKER TERMINAL	1	J2
2904-3006-3000	SCREW M3X6 BINDING (BLK)	1	4003
4134-9091-1	BRASS STUD M3X24.5	1	4002

## Power Supply Board Assembly (QSC part # PCB-QZ120C-PSU) Quantity: 1

QSC Part #	Description	Qty.	Reference or Comments
150F-474M-5-II	CC 50V 0.47uF 20% RL 5X5	2	C13, C14
157E-228M-5-X9	CE 25V 2200uF 20% RL	2	C11, C12
1660-0890-0	SHRINKAGE TUBE ID=1MM UL	1	R25
1660-1160-0	SHRINKAGE TUBE ID=18MM	2	R7, R8
1725-606A-0002	PCB PSU RMX4050HD	1	1001
2101-1231-0	SPADE TERMINAL 6.3X0.8	19	J13-J15, J21A-J28A, J21B-J28B
2101-9400-0	JM2422-3M WAFER	2	J29, J30
2102-021S-004	2P ST.WAFER	3	J19-J21
2102-071S-004	WF T8 DE 7PIN COULOMB	2	J16, J17
2954-3006-3000	3X6MM B-TITE (BLK. ZN)	1	Q6
4715-1691-2	RMF 1/4W 1.69K 1% AT	1	R19
4715-184A-2	RMF 1/4W 180K 1% AT	1	R14
471B-121J-1-X	RMF 5W 120R 5% AL METAL	1	R25
4804-1480-2	DIODE 1N4148 AT	6	D1-D6
4837-7C51-2	DZ 1/2W 7.29-7.67V ROHM	1	D11
4840-1760-0	DIODE RECT 1A 200V DB103	2	BR7, BR8
4860-2620-5	TR TIP31C SAMSUNG	1	Q6
5400-0831-0	HEATSINK	1	Q6
8910-0273-0	POLYSWITCH 0.15 ohm 1.1A	4	R9-R12
8910-0275-0	THERMAL NTC 30A 1 ohm	2	R7, R8

### SMT components

150F-104K-J-BD	CC 50V 0.1uF 10% 0805	1	C15
4720-103A-J	RMG 1/10W 10K 1% 0805	2	R20, R28

## Power Supply Board Assembly PCB-QZ120C-PSU (continued)

QSC Part #	Description	Qty.	Reference or Comments
4720-222A-J	RMG 1/10W 2.2K 1% 0805	1	R24
4720-223A-J	RMG 1/10W 22K 1% 0805	1	R30
4720-243A-J	RMG 1/10W 24K 1% 0805	1	R29
4720-390A-J	RMG 1/10W 39K 1% 0805	1	R22
4720-473A-J	RMG 1/10W 47K 1% 0805	2	R17, R18
4720-592A-J	RMG 1/10W 5.9K 1% 0805	1	R16
4721-152A-6	RMG 1/8W 1.5K 1% 1206	3	R23, R26, R27
4721-184A-6	RMG 1/8W 180K 1% 1206	1	R13
4721-4643-6	RMG 1/8W 464K 1% 1206	2	R15, R21
4853-9060-3	TR 3906 PNP SM	4	Q1, Q3, Q4, Q7
4860-0640-3	TR 3904 HFE 100-300 SM	2	Q2, Q5

## Rectifier Board Assembly (QSC part # PCB-QZ120C-PSU2) Quantity: 2

QSC Part #	Description	Qty.	Reference or Comments
153R-224K-5-Y1	CM 250V 0.22uF 10% RL	3	C5, C7, C9
1725-607B-0000	PCB PWR/PSU2/OUT/DIS/LED	1	3001
2101-1231-0	SPADE TERMINAL 6.3X0.8	12	J301-J312
4840-8630-0	DIODE BRIDGE RECTIFIER - 400V 35A	3	BR101-BR103

## Channel Module Assembly (QSC part # PCB-QZ120C-PWR) Quantity: 2

QSC Part #	Description	Qty.	Reference or Comments
153H-102J-5-IQ	CM 100V 0.001U 5% RL 5X	1	C106
153H-154J-5-XX	CM 100V 0.15UF 5% RL	2	C109, C112
153H-224J-5-OQM	CM 100V 0.22U 5% RL 8X9	1	C108
153R-103J-5-YRM	CM 250V 0.01UF 5% RL 13X	4	C142-C144, C147
153R-104J-5-YRM	CM 250V 0.1u 5% RL	1	C163
153R-152J-5-XQ	CM 250V 0.0015UF 5% RL	1	C114
153R-222J-5-XQM	CM 250V 0.0022UF 5% RL	1	C121
153R-683J-5-WMM	CM 250V 0.068u 5% RL	2	C159, C160
157D-107M-5-OUN	CE 16V 100UF 20% RL 8X11	2	C104, C111
157E-106M-5-GMK	CE 25V 10UF 20% RL 4X7	3	C131, C134, C135
157E-107M-5-KW	CE 25V 100uF 20% RL 6x12	7	C107, C117, C118, C138-C141
157E-226M-5-IUN	CE 25V 22uF 20% RL 5X11	1	C158
157E-227M-5-PU	CE 25V 220uF 20% RL	2	C115, C119
157Q-106M-5-IU	CE 35V 10uF 20% RL 5x11	1	C110
1660-0890-0	SHRINKAGE TUBE ID=1MM UL	2	D106, D107
1725-607B-0000	PCB PWR/PSU2/OUT/DIS/LED	1	2001
1804-1040-0	SPRNG COIL 2uH(14gaWIRE)	1	L101
2101-1231-0	SPADE TERMINAL 6.3X0.8	4	E101-E104
2101-1386-0	WAFER 6P P=6.7	1	J104
2101-1388-0	SOCKET 14P DUAL ROW IEC	1	J101
2101-1991-0	8 PIN IC SOCKET DIP	2	U101, U103
2102-061S-004	6P ST. WAFER	1	J102
2102-071S-004	WF T8 DE 7PIN COULOMB	1	J103
2954-3006-3000	3X6MM B-TITE (BLK.ZN)	3	REF: Q110, Q111
3130-2430-0	IC-NE5532 OPER. AMP PHIL	2	U101, U103
4134-8851-0	FUSE HOLDER (DIA.6.3MM FUSE)	1	REF: F101
4715-100J-2	RMF 1/4W 10R 5% AT	1	R260
4715-101J-2	RMF 1/4W 100R 5% AT	1	R261
4717-1332-2	RMF 1/2W 13.3K 1% AT	2	R149, R154
4717-9091-2	RMF 1/2W 9.09K 1% AT	2	R148, R151
4718-120J-2-P	RMF 1W 12R 5% AT FP	1	R201
4718-130J-2-X	RMF 1W 13R 5% AT METAL	1	R198
4718-223J-2-X	RMF 1W 22K 5% AT	1	R255
4718-2R7J-2-X	RMF 1W 2.7R 5% AT METAL	2	R199, R200
4718-393J-2-X	RMF 1W 39K 5% AT METAL	1	R213
4718-3R0J-2-X	RMF 1W 3.0R 5% AT METAL	1	R128
4719-5R6J-1-X	RMF 2W 5.6R 5% AL METAL	1	R254
471A-022J-5-N	RMF 3W 0.22R 5% RL RGC3	12	R209, R210, R216, R217, R222-R224, R228, R236, R237, R241, R242
471B-120J-1-X	RMF 5W 12R 5% AL METAL	8	R247-R249, R251, R256-R259
471B-3R9J-1-X	RMF 5W 3.9R 5% METAL AL	1	R268
471B-512J-1-X	RMF 5W 5.1K 5% AL METAL	5	R243, R244, R245, R246, R266
4756-1010-3-11	SVR 100 OHM H3 10X10	1	R171
4756-1016-3-06	SVR H6 100R RH0615C	1	0
4804-0020-5	DIODE UF4002 RL D0-41	2	D106, D107
4804-1480-2	DIODE 1N4148 AT	14	D101, D102, D113-D122, D133, D134
4805-4040-1	DIODE 1N5404 3A 400V	2	D123, D124
4837-3B20-2	DZ 1/2W 3.8-4.0V AT	2	D108, D110
4838-10V6-2	DZ 1.3W 10V AT TEMIC	2	D109, D111

## Channel Module Assembly PCB-QZ120C-PWR (continued)

QSC Part #	Description	Qty.	Reference or Comments
4838-12V6-2	DZ 1W 12V AT TEMIC	2	D125, D126
4838-15V6-2	DZ 1W 15V AT TEMIC	2	D103, D104
4840-2190-0	DIODE MUR1520 15A 200V	4	D127-D130
4851-987R-5	TR 2SA1987 TO-3P PNP	6	Q114, Q116, Q119, Q130, Q133, Q137
4855-359R-5	TR 2SC5359 TO-3P NPN	6	Q115, Q117, Q120, Q131, Q134, Q138
4860-5020-5	TR MJE15032	1	Q110
4860-5030-5	TR MJE15033	1	Q111
4860-5250-5	TR 2N5064 TRIODE THYRISTOR	2	D131, D132
4901-4070-5	MOSFET IRF1407 75V 130A TO-220AB RL	4	Q135, Q136, Q139, Q140
5120-0096-0	FUSE T30A 250V 6.4VX32MM	1	F101
5202-0003-1	THERMAL MTC 10K RED WIRE	1	R239
5400-3731-0	HEATSINK H40 20MM HIGH	2	Q110, Q111
8910-0579-0	CE 63V 12000uF 20% RL 30X50 LS NOVER HI-RIPPLE	12	C145, C146, C148-C157
8910-0599-0	TRIAC BTA41-600B 40A/600V TOP3 ST	1	Q146
<b>SMT components</b>			
150F-101J-J-BD	CC 50V 100pF 5% 0805 1.2x2.0	2	C101, C103
150F-104K-J-BD	CC 50V 0.1uF 10% 0805	3	C105, C129, C130
150F-222K-6-CF	CC 50V 2200pF 10% 1206 1	5	C122, C125, C126, C164, C165
150F-332K-J-BD	CC 50V 3300pF 10% 0805 1	1	C102
150F-470J-J-BD	CC 50V 47pF 5% 0805 1.2x2.0	8	C127, C128, C132, C133, C136, C137, C161, C162
150F-562J-J-BD	CC 50V 5600pF 5% 0805 1.2x2.0	1	C120
150U-150J-J-BD	CC 200V 15P 5% 0805 COG	1	C113
15CG-270J-J-BD	CTC 0/30 27P 5% 0805	1	C116
3130-9240-0	IC LM311M VOLTAGE COMPARATOR	4	U106-U109
3131-9730-0	IC NE5517D TRANSCONDUCTANCE AMP	1	U102
4720-100A-J	RMG 1/10W 10R 1% 0805	4	R229, R230, R234, R235
4720-101A-J	RMG 1/10W 100R 1% 0805	4	R107, R121-R233
4720-102A-J	RMG 1/10W 1K 1% 0805	1	R103
4720-103A-J	RMG 1/10W 10K 1% 0805	4	R101, R102, R186, R187
4720-104A-J	RMG 1/10W 100K 1% 0805	2	R238, R267
4720-122A-J	RMG 1/10W 1.2K 1% 0805	3	R111, R219, R225
4720-123A-J	RMG 1/10W 12K 1% 0805	5	R145, R146, R226, R231, R232
4720-152A-J	RMG 1/10W 1.5K 1% 0805	1	R211
4720-201A-J	RMG 1/10W 200R 1% 0805	1	R153
4720-202A-J	RMG 1/10W 2K 1% 0805	1	R112
4720-203A-J	RMG 1/10W 20K 1% 0805	4	R104-R106, R108
4720-222A-J	RMG 1/10W 2.2K 1% 0805	2	R218, R227
4720-243A-J	RMG 1/10W 24K 1% 0805	2	R130, R136
4720-271A-J	RMG 1/10W 270R 1% 0805	1	R117
4720-273A-J	RMG 1/10W 27K 1% 0805	1	R143
4720-2740-J	RMG 1/10W 274R 1% 0805	2	R118, R120
4720-3011-J	RMG 1/10W 3.01K 1% 0805	10	R125, R126, R131, R132, R137-R139, R205, R212, R215
4720-301A-J	RMG 1/10W 300R 1% 0805	2	R172, R178
4720-391A-J	RMG 1/10W 390R 1% 0805	1	R124
4720-393A-J	RMG 1/10W 39K 1% 0805	1	R116
4720-4643-J	RMG 1/10W 464K 1% 0805	5	R193-R196, R220
4720-472A-J	RMG 1/10W 4.7K 1% 0805	10	R129, R174-R177, R188, R189, R191, R192, R250
4720-473A-J	RMG 1/10W 47K 1% 0805	7	R133, R185, R190, R207, R208, R264, R265
4720-592A-J	RMG 1/10W 5.9K 1% 0805	4	R161, R166, R206, R214
4720-621A-J	RMG 1/10W 620R 1% 0805	1	R240
4720-6981-J	RMG 1/10W 6.98K 1% 0805	1	R115
4720-752A-J	RMG 1/10W 7.5K 1% 0805	3	R119, R140, R144
4720-7870-J	RMG 1/10W 787R 1% 0805	1	R135
4721-100J-6	RMG 1/8W 10R 5% 1206	1	R160
4721-102A-6	RMG 1/8W 1K 1% 1206	2	R203, R204
4721-104A-6	RMG 1/8W 100K 1% 1206	18	R109, R110, R155-R158, R162-R165, R167-R170, R179-R182
4721-154A-6	RMG 1/8W 150K 1% 1206	3	R113, R114, R142
4721-390A-6	RMG 1/8W 39R 1% 1206	2	R150, R152
4721-4643-6	RMG 1/8W 464K 1% 1206	1	R147
4721-4993-6	RMG 1/8W 499K 1% 1206	1	R134
4721-4R7A-6	RMG 1/8W 4.7R 1% 1206	2	R197, R202
4721-6340-6	RMG 1/8W 634R 1% 1206	2	R123, R127
4721-821A-6	RMG 1/8W 820R 1% 1206	2	R141, R221
4853-9060-3	TR 3906 PNP SM	10	Q101, Q106, Q109, Q122, Q124, Q127, Q129, Q141, Q143, Q147
4856-02AR-3	TR 2SD602AR NPN SMD	1	Q112
4857-10AR-3	TR 2SB710AR PNP SMD	1	Q113
4860-0640-3	TR 3904 HFE 100-300 SM	14	Q102-Q105, Q107, Q108, Q118, Q121, Q123, Q125, Q126, Q128, Q132, Q142

## Chassis Assembly

QSC Part #	Description	Qty.	Reference or Comments
4135-2931-0	REAR RACK EAR RMX4050HD (kit with 2 ears and hardware)	1	
4135-2971-0	SCREW #8-32 X3/8"	1	
4135-2981-0	#8 EXT TOOTH LOCKWASHER	1	
7012-6519-0	AC CORD SET 20A FOR UL	1	
SS-QZ120C	CASING ASSY QZ120C	1	
1404-1121-0	CHASSIS BOTTOM RMX5050HD	1	
1404-1201-0	COVER TOP 3550	1	
1806-3645-0	X'FORMER I/P=100/120/240	1	
1806-3646-0	X'FORMER I/P=100/120/240	1	
2113-2014-0	AC INLET 20A	1	
2444-1001-1	KNOB CONTROL	1	
2600-9005-1402	WASHER M9X0.5	1	
2606-3005-0642	I/T WASHER M3X0.5X6.4 WZ	1	
2606-4004-0800	I/T WASHER M4X0.4X8 YZ	2	
2607-4010-0700	SPRING WASHER M4X7	1	
2640-4030-0704	NUT HEX M4	1	
2842-3367-0	METAL WASHER	1	
2904-3005-3000	SCREW BH M3X 5 MM BZ CRO	1	
2904-3008-3000	SCREW M3X8 (BLK)	7	
2904-3012-3000	M.SCREW M3X12 B/H BLACK	1	
2951-3010-3000	SCREW B-TITE FLAT-CS M3X	1	
2954-3010-3000	B-TITE 3X10MM (BLK.ZN)	2	
4135-0241-1	RACK EAR 280 CRS	1	
4135-0282-0	FAN GUARD FOR 120mm FAN	1	
4135-0811-0	NUT M4 W/EXTERNAL TOOTH	2	
4135-0942-0	TRANSFORMER STEEL COVER	1	
4135-2141-0	CLAMP IC 6FINGERS	1	
4135-2151-0	CLAMP IC 4FINGERS	1	
4135-2161-1	HOLDER PCB RMX5050	1	
4135-2731-0	NTC HOLDER FOR RMX4050HD	1	
2954-4010-3000	SCREW 4X10 BLACK ZN TAPP	1	
4135-3891-0	X'FER MOUNTING ASSY M8	1	
4154-0691-0	POINTER ADAPTOR	1	
4154-6401-0	PVC PAD FOR RMX5050	1	
4154-7031-0	DIS PCB PROTECT SHEET PP	1	
4154-7041-0	CAP PROTECT SHEET PC	1	
4157-0421-0	TRANSFORMER PAD EPDM 40A	1	
4157-0471-0	INSULATION SHEET IC	1	
5200-4822-0	SWITCH ROCKER POWER DPST	1	
5200-4858-0	CIRCUIT BREAKER 20A	1	
5400-3591-0	HEAT SINK 3550	1	
7012-6325-0	WIRE ASSY W/2T L=100MM	1	
7012-6327-0	WIRE ASSY W/1T L=460MM	1	
7012-6328-0	WIRE ASSY W/2T L=600MM	1	
7012-6329-1	WIRE CON ASSY W/6 SINGLE	1	
7012-6332-0	CONN.ASSY 6 PIN SHIELD	1	
7012-6344-1	GRND WIRE UL1015 #14	14	
7012-6345-0	UL1015 #14 3P BROWN	1	
7012-6346-0	UL1015 #14 W/1 TERMINAL	1	
7012-6396-0	CONN ASSY 7PIN SHIELD	1	
7012-6397-0	WIRE ASSY W/2T L=170MM	1	
7012-6401-0	CABLE ASSY RIBBON 28PIN	1	J6
7012-6409-0	WIRE W/2T 1ANGLE TER L=5	1	
7012-6410-0	WIRE W/2T 1ANGLE TER L=4	1	
7012-6433-0	WIRE CON ASSY W/1RING	1	
7012-6482-0	WIRE ASSY W/2T L=600MM	1	
7602-1120-2004	CONN ASSY 2P P=2.5 L=120	1	
8900-2195-1	SELF SCREW 4X10 WITH	3	
8900-2198-0	MACHINE SCREW M4X20 WITH	1	
8913-4000-0	DC FAN 24V 119X119X38MM	1	