

PROJECT NAME:

DigiPRO600B

COMPANY:



FILE NAME:

AMPLIFIER.SchDoc

PCB:

PST417C

DRAWN:

A.Carozzo  
M.Minelli

CHECKED: Ottani C.

DESCRIPTION:

AUDIO INPUT  
DSP  
DIGITAL AMP

SHEET: 1/2

NOTE/COMMENTS:

CHANGING OBJECT

from 1.3 to 1.4  
N/A

from 1.2 to 1.3:

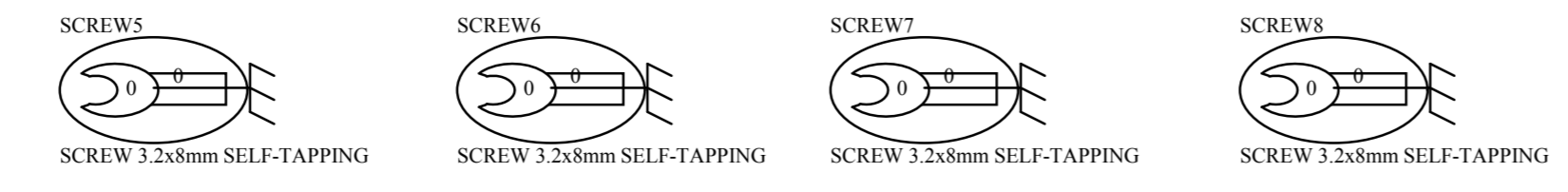
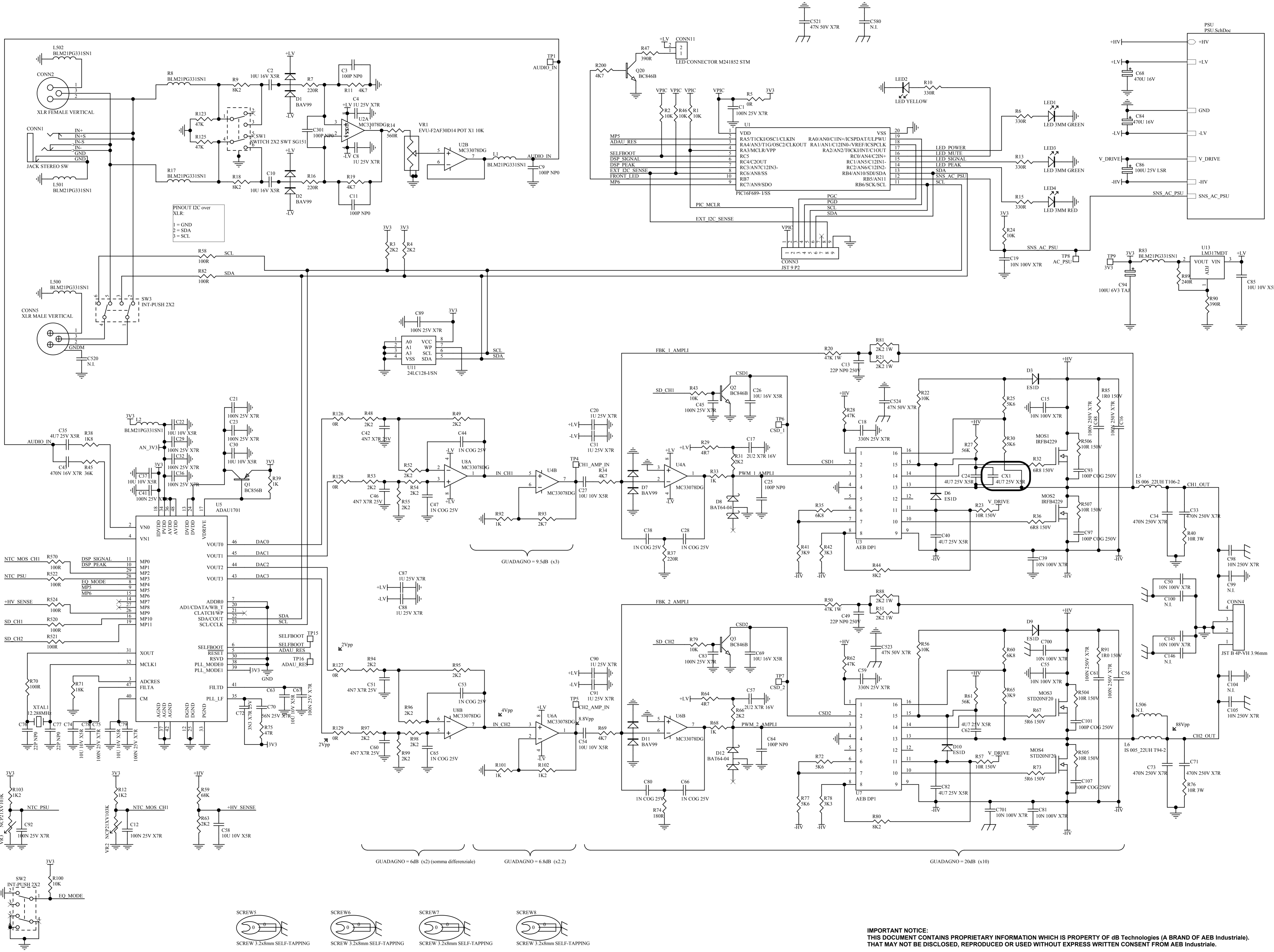
- C520 and C580 becomes Not  
Inserted

All Resistor => 1% tolerance

REVISION: 06/08/2009

1.4

THIS DOCUMENT CONTAINS  
PROPRIETARY INFORMATION  
WHICH IS PROPERTY OF dB  
Technologies (A BRAND OF AEB  
Industriale).  
THAT MAY NOT BE DISCLOSED,  
REPRODUCED OR USED WITHOUT  
EXPRESS WRITTEN CONSENT  
FROM AEB Industriale.



IMPORTANT NOTICE:  
THIS DOCUMENT CONTAINS PROPRIETARY INFORMATION WHICH IS PROPERTY OF dB Technologies (A BRAND OF AEB Industriale).  
THAT MAY NOT BE DISCLOSED, REPRODUCED OR USED WITHOUT EXPRESS WRITTEN CONSENT FROM AEB Industriale.

PROJECT NAME:

DIGIPRO 600\_B PSU

COMPANY:



A.E.B. Industriale Srl  
Via Brodolini, 8  
40056 Crespellano (Bo)  
Telephone: 0039 051 969870  
Fax: 0039 051 969725  
info@dbtechnologies-aeb.com

FILE NAME:

PSU.SchDoc

PCB:

PST417C

DRAWN: Andrea Carrozzo

CHECKED: Ottani C.

DESCRIPTION:

SHEET: 1

NOTE/COMMENTS:

Fuse 230V => 3,15A  
Fuse 110V => 6,3A  
All Resistor => 1% tolerance

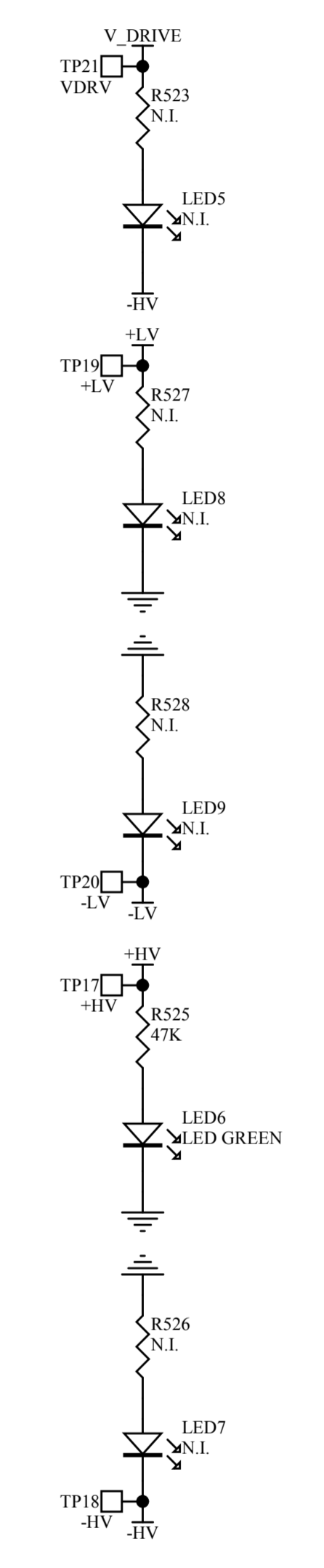
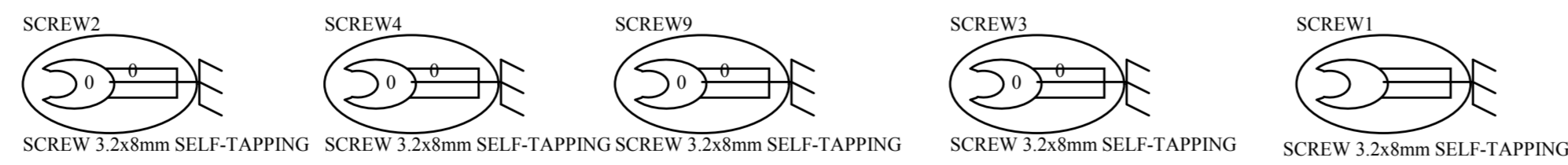
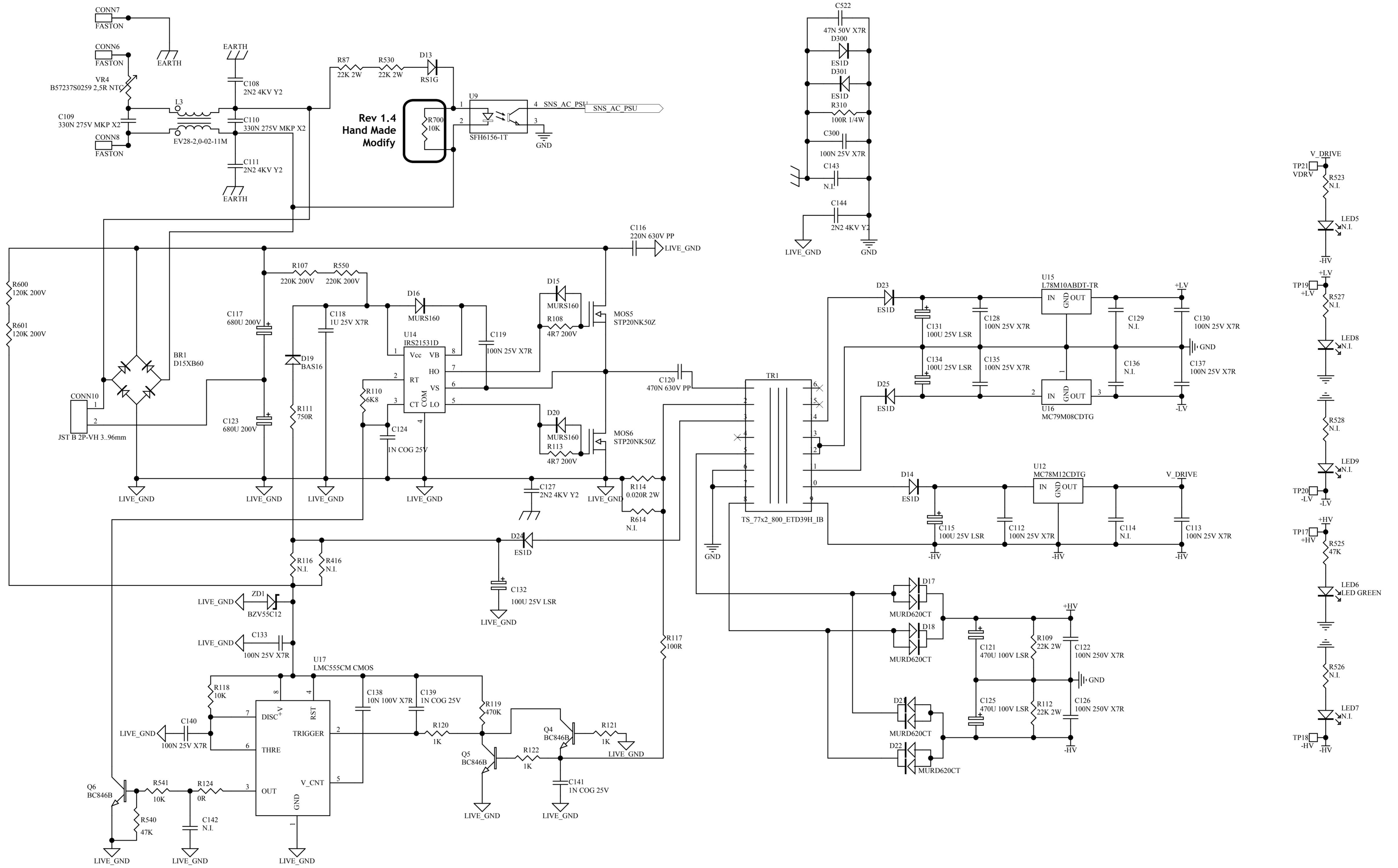
CHANGING OBJECT

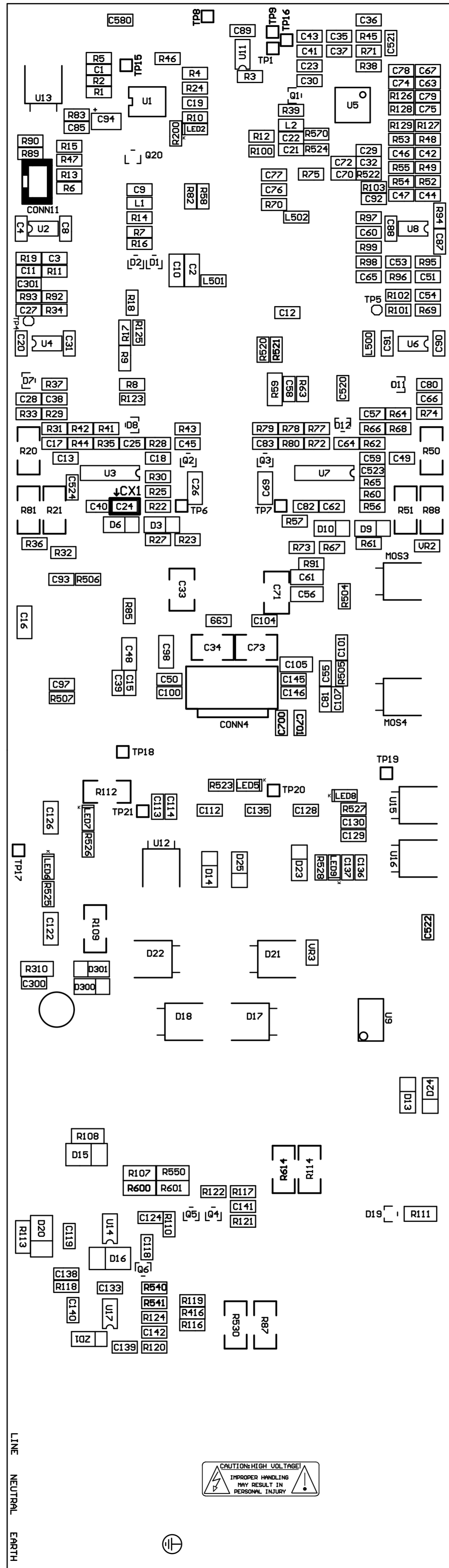
from 1.3 to 1.4

Added R700  
Hand.made modify

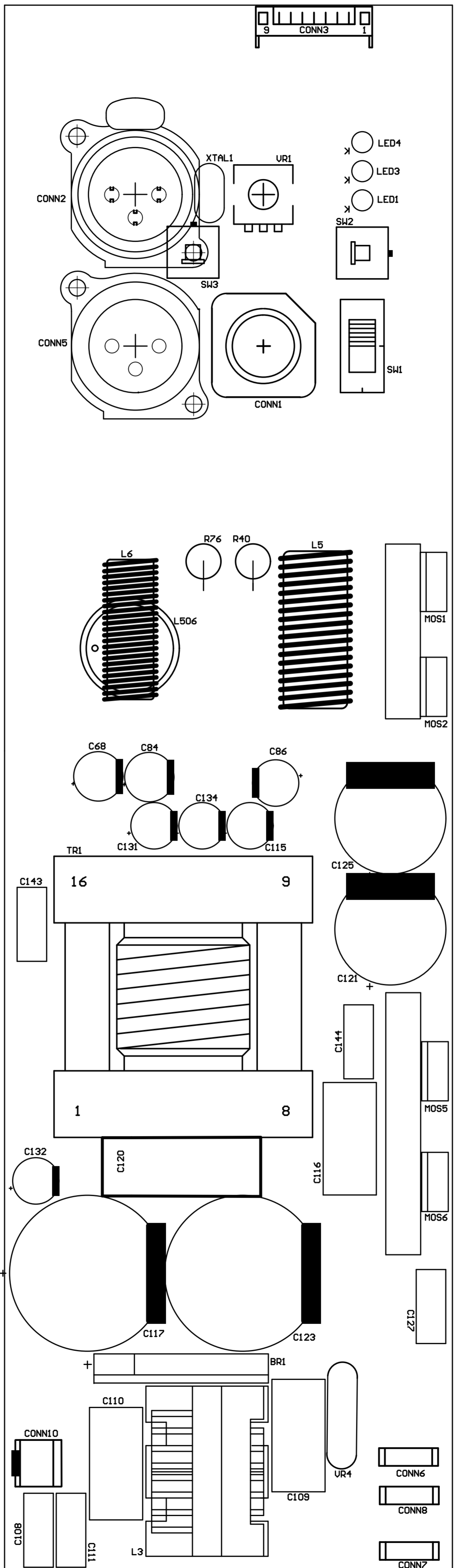
REVISION: 06/08/2009

1.4





Project Name: DF600_B	Rev. date: 06/08/2009
Feb: PST417C	Designer: Andrea Carrozzo a.carrozzo@bbtechnologies-aei.it
Notes: Numero Strati = 2 No Serigrafie	



Project Name: DP600_B	
Part: PST1417C	Rev. date: 06/08/2009
Designer: Andrea CARROZZO acarozzo@elctec.it	
Notes: Numero Strati = 2 No Serigrafie	