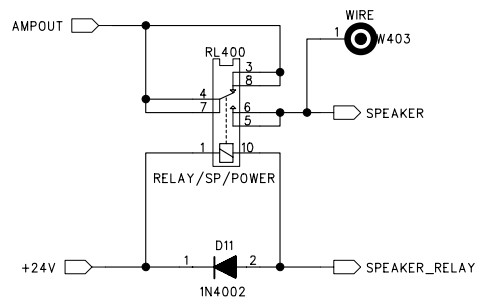
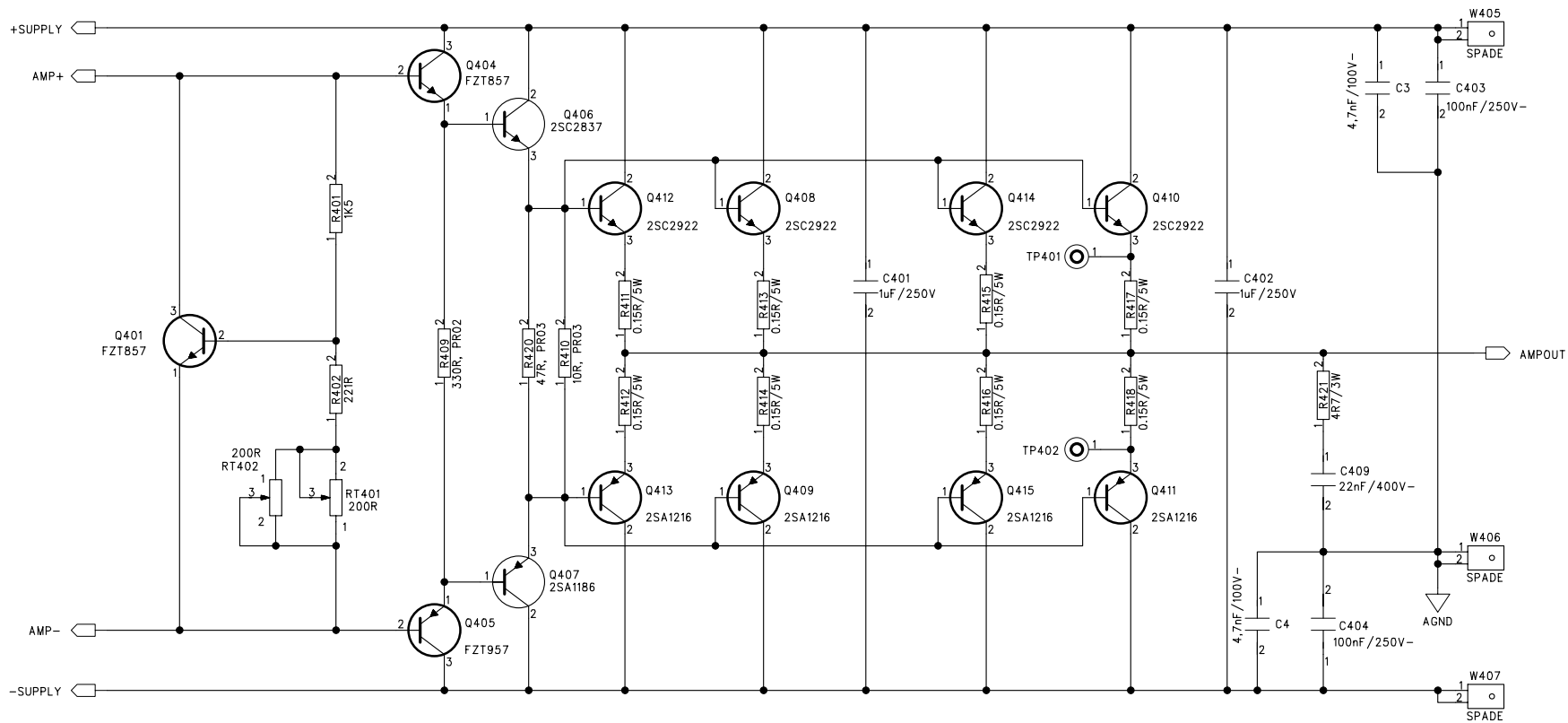
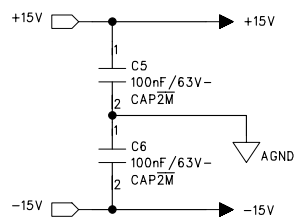
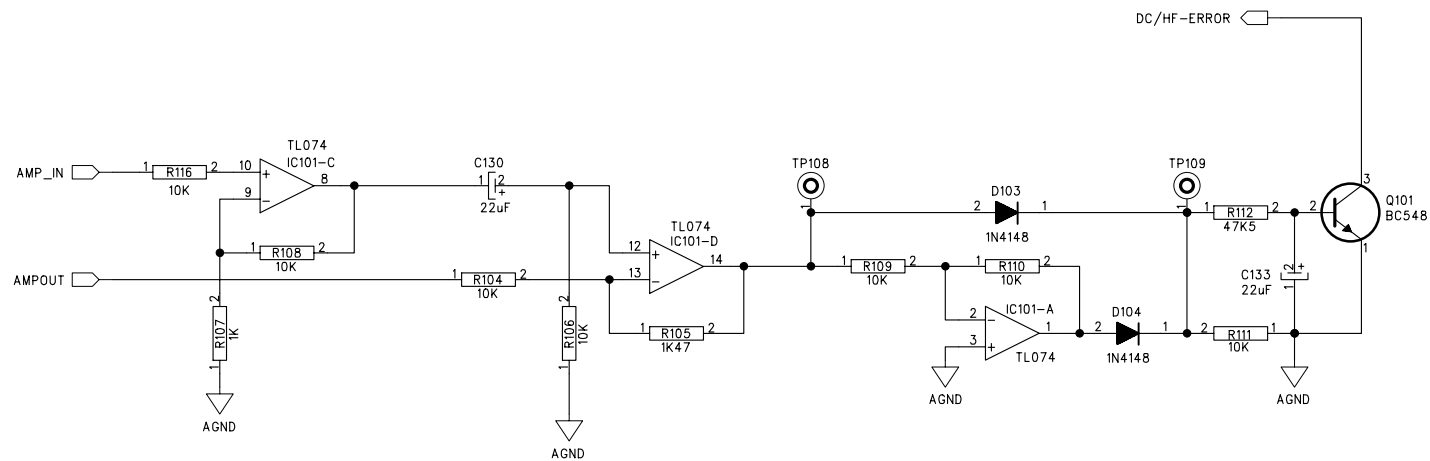


Company:	Gryphon Audio Designs Aps. Industrivej 9, 8680 Ry, Denmark Tel :+45 86891200 Fax : +45 86891277	Drawing no.:	10142d
Title:	Amplifier Input Stage	DRAWN	TSM
Part of :	Diablo	DATED	10.03.2005
This document contains confidential and proprietary information, that is the property of Gryphon Audio Designs Aps., and may not be disclosed to, or duplicated for others except as authorized by the owner.		SHEET	1 of 3



Company:	Gryphon Audio Designs Aps. Industrivej 9, 8680 Ry, Denmark Tel : +45 86891200 Fax : +45 86891277	Drawing no.:	10142c
Title:	Amplifier Output Stage	DRAWN	TSM
Part of :	Diablo	DATED	10.03.2005
This document contains confidential and proprietary information, that is the property of Gryphon Audio Designs Aps., and may not be disclosed to, or duplicated for others except as authorized by the owner.		SHEET	2 of 3



- MTHOLE3MM3
- MT6
- MTHOLE3MM3
- MT5
- MTHOLE3MM3
- MT4
- MTHOLE3MM3
- MT3
- MTHOLE3MM3
- MT2
- MTHOLE3MM3
- MT1

Company:	Gryphon Audio Designs Aps. Industrivej 9, 8680 Ry, Denmark Tel :+45 86891200 Fax : +45 86891277	Drawing no.:	10142c
Title:	Amplifier Protection		DRAWN TSM
Part of :	Diablo		DATED 10.03.2005
This document contains confidential and proprietary information, that is the property of Gryphon Audio Designs Aps., and may not be disclosed to, or duplicated for others except as authorized by the owner.			SHEET 3 of 3

