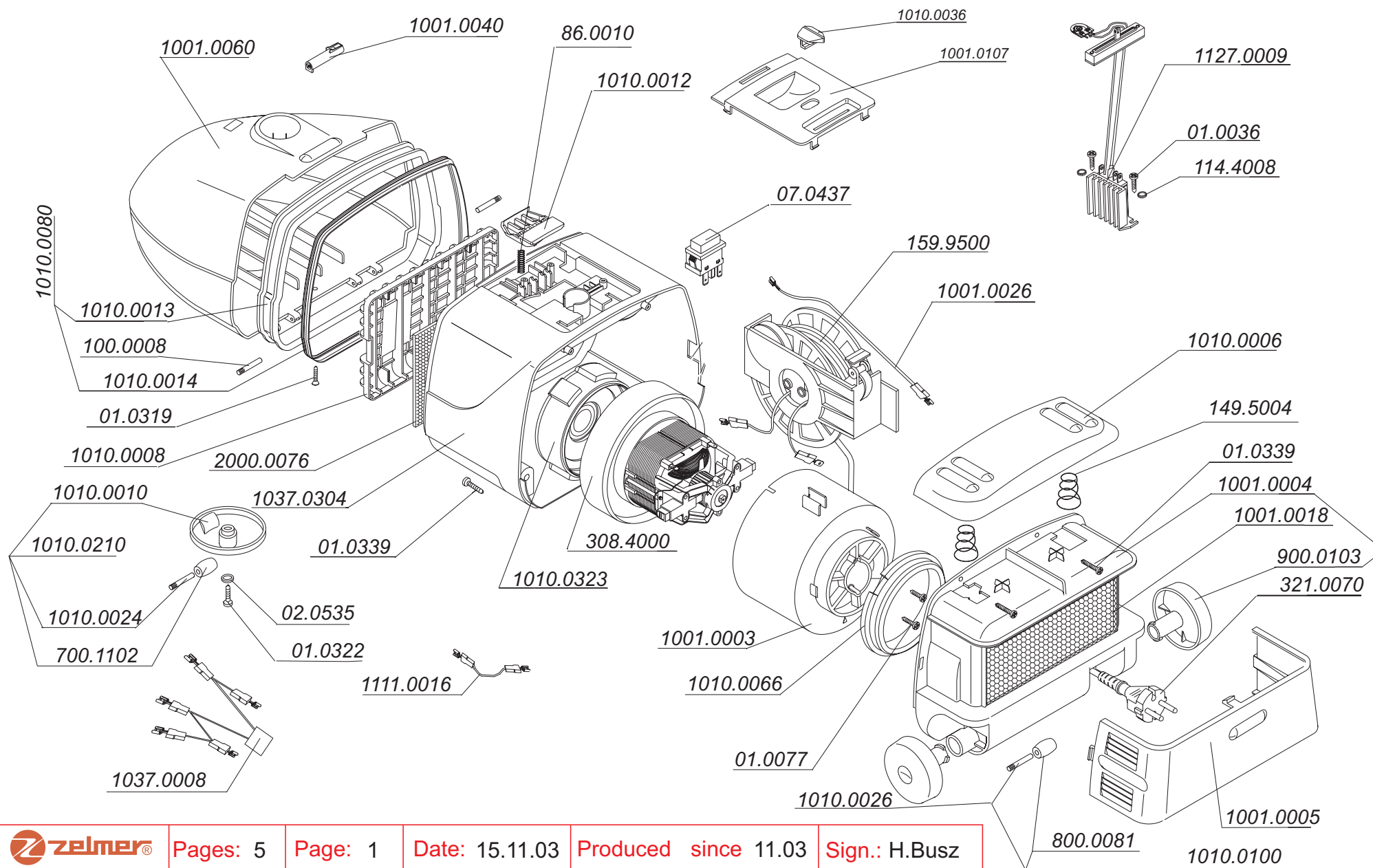
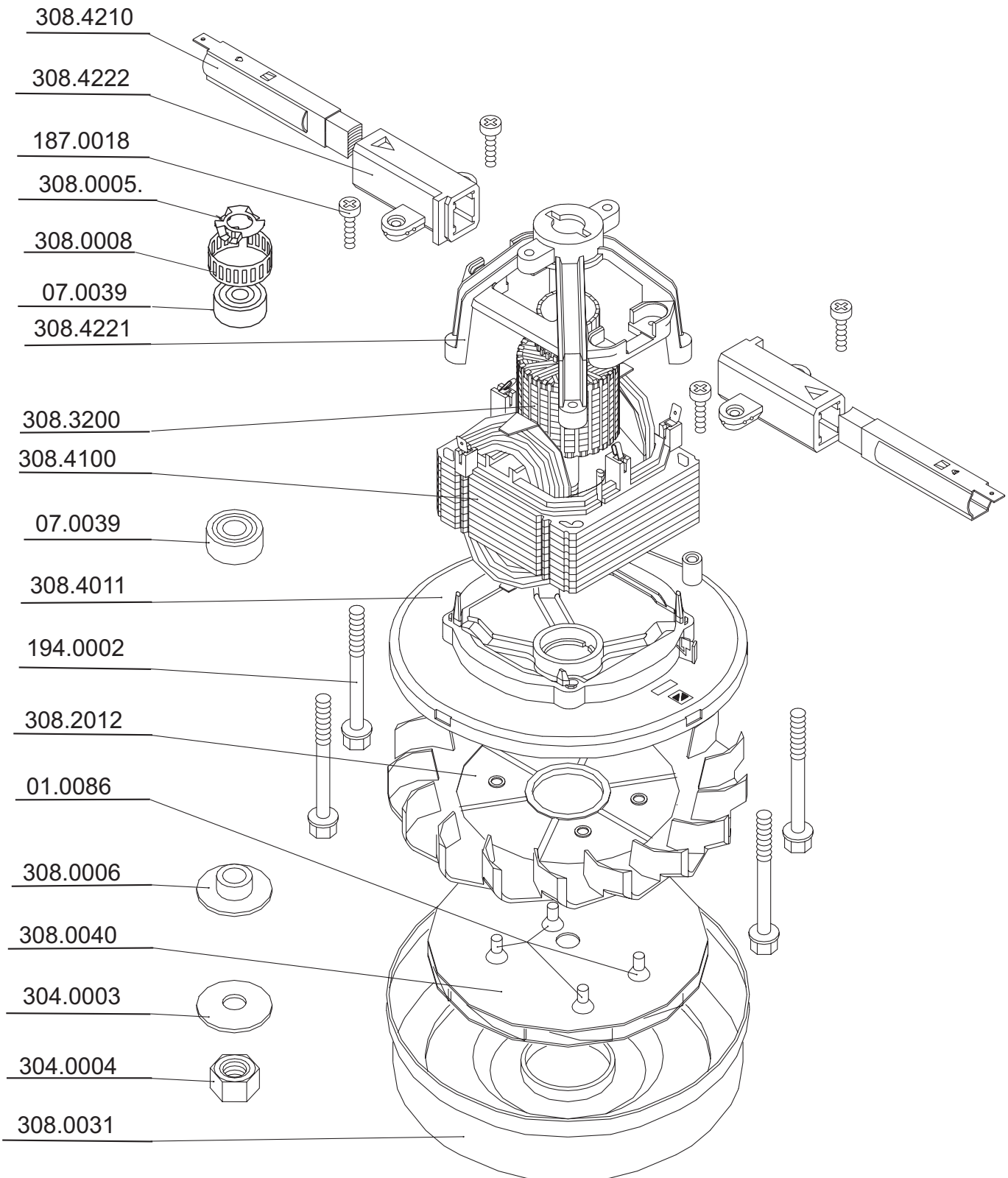


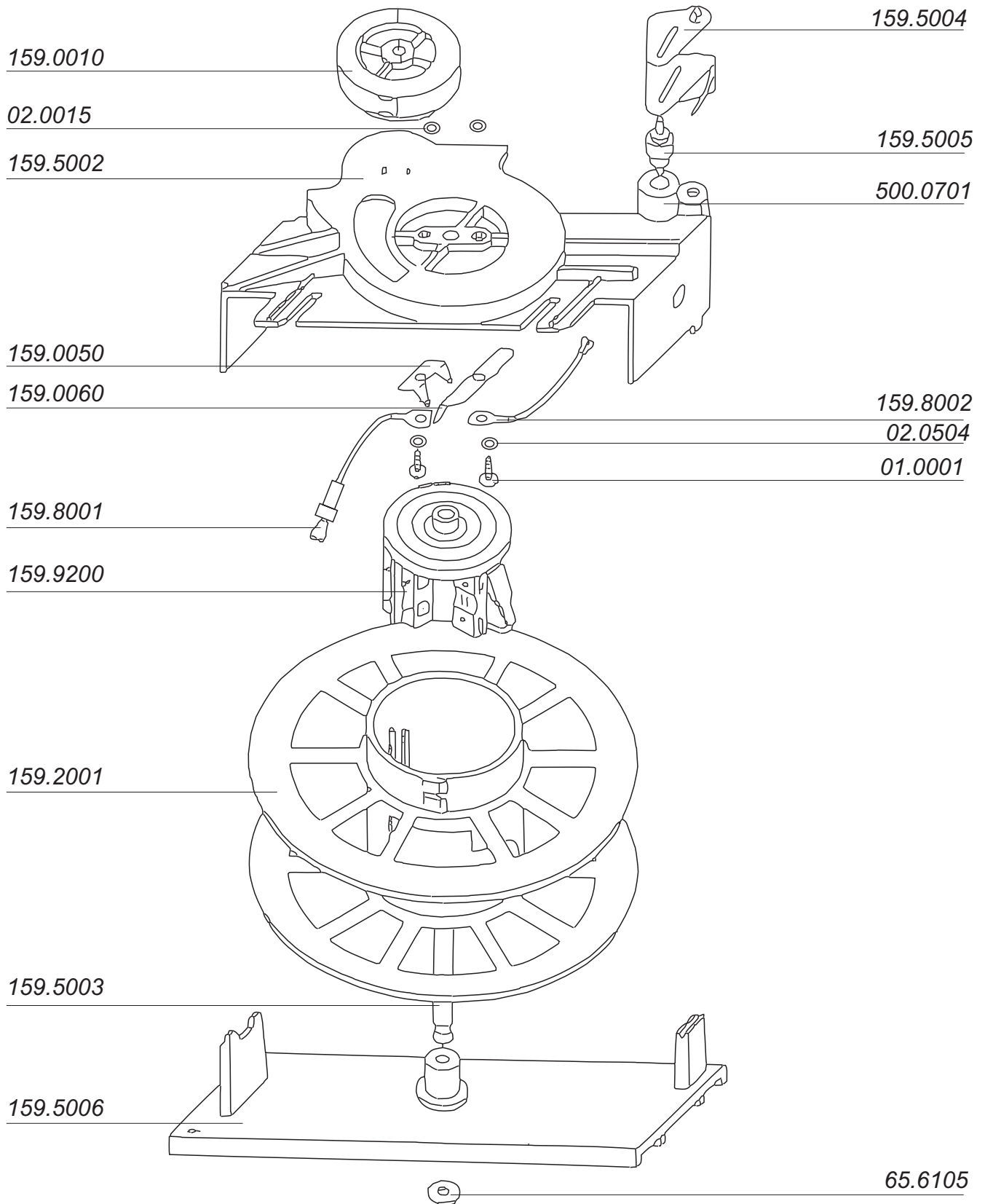
VACUUM CLEANER ZELMER TYPE 1117.0 M (DARK BLUE RAL 5022) ZELMER HUNGARY



|| SUCTION UNIT TYPE 308.4000

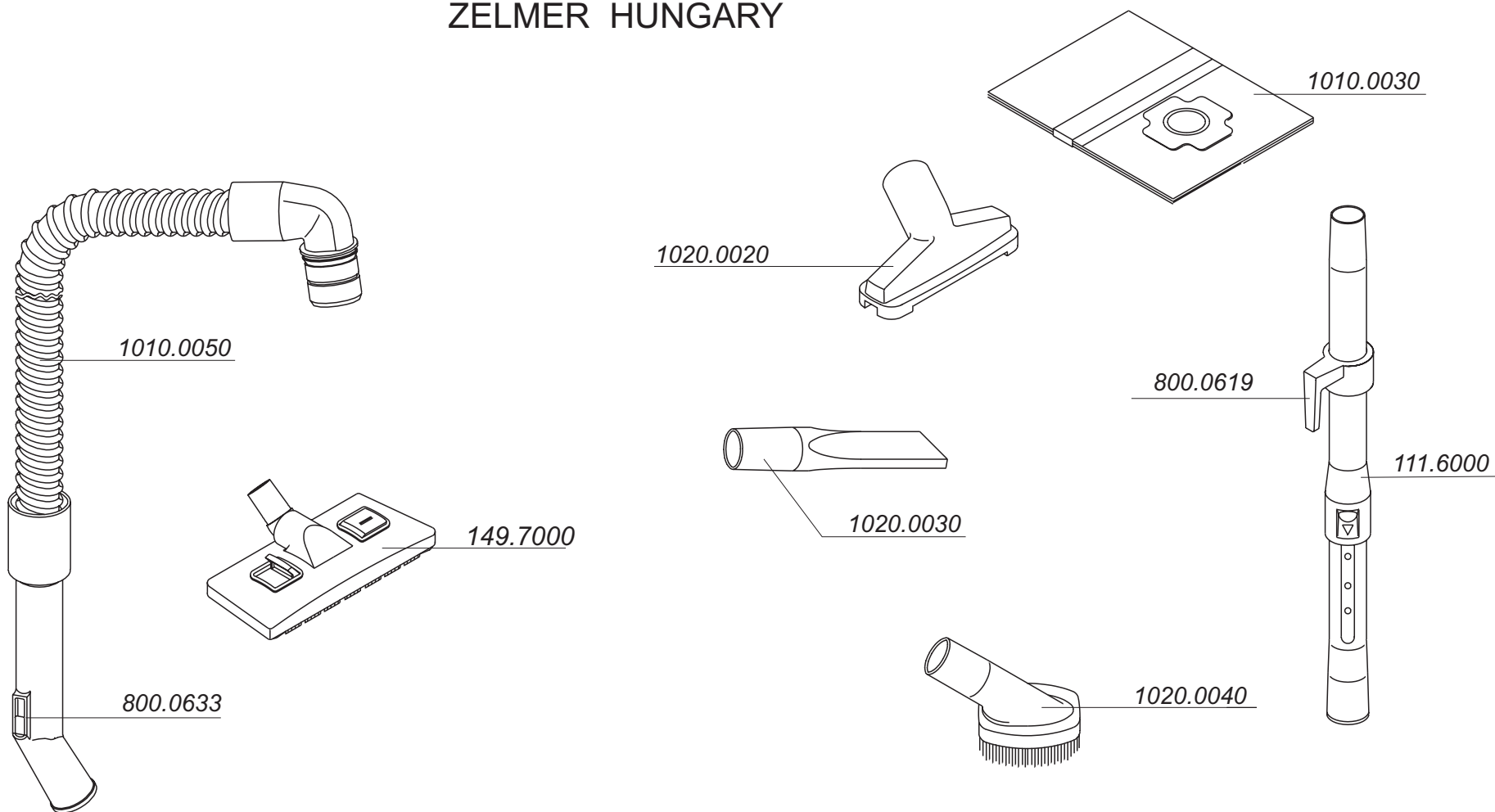


||| CORD WINDER 159.9500

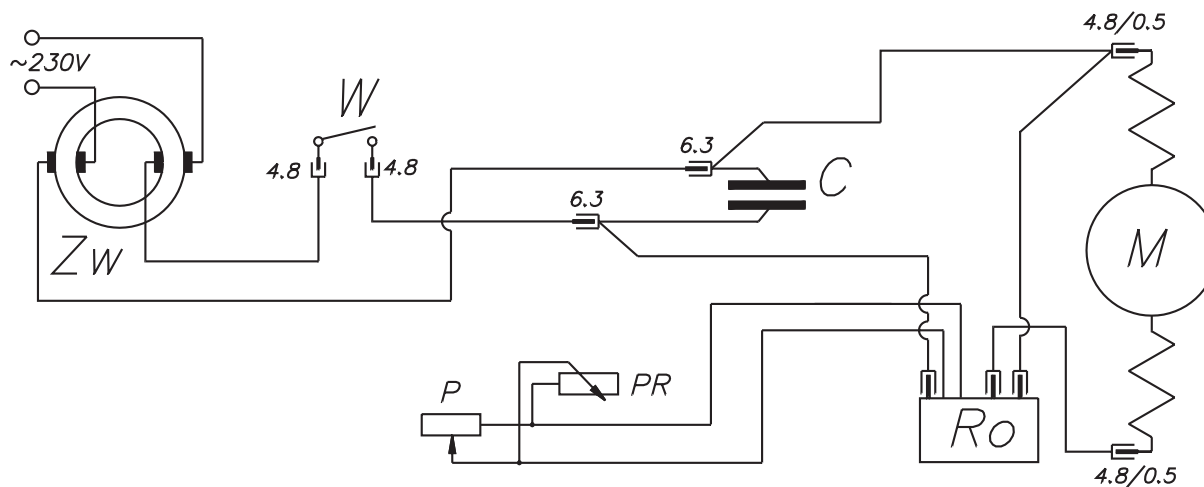


IV VACUUM CLEANER ACCESORIES

ZELMER TYPE 1117.0 M
(DARK BLUE RAL 5022)
ZELMER HUNGARY



V ELECTRICAL DIAGRAM OF THE VACUUM CLEANER ZELMER TYPE 1117.0 M ZELMER HUNGARY



- M - suction unit
- Zw - cord winder
- C - capacitor
- W - main switch
- P - potentiometer
- Ro - regulator
- PR - potentiometer regul.