

# LM4702 Audio Power Amplifier Series

## Stereo High Fidelity 200 Volt Driver with Mute

### General Description

The LM4702 is a high fidelity audio power amplifier driver designed for demanding consumer and pro-audio applications. Amplifier output power may be scaled by changing the supply voltage and number of output devices. The LM4702 is capable of delivering in excess of 300 watts per channel single ended into an 8 ohm load in the presence of 10% high line headroom and 20% supply regulation.

The LM4702 includes thermal shut down circuitry that activates when the die temperature exceeds 150°C. The LM4702's mute function, when activated, mutes the input drive signal and forces the amplifier output to a quiescent state.

The LM4702 is available in 3 grades that span a wide range of applications and performance levels. The LM4702C is targeted at high volume applications. The LM4702B includes a higher voltage rating along with the tighter specifications. The LM4702A\* (in development) is the premium part with the highest voltage rating, fully specified with limits over voltage and temperature, and is offered in a military 883 compliant TO-3 package.

\* Tentative Max Operating voltage for the LM4702A (in development)

### Key Specifications

■ Wide operating voltage range	
LM4702A* (in development)	±20V to ±100V
LM4702B	±20V to ±100V
LM4702C	±20V to ±75V
■ Equivalent Noise	3µV
■ PSRR	110dB (typ)
■ THD+N (A and B Grades)	0.0003%

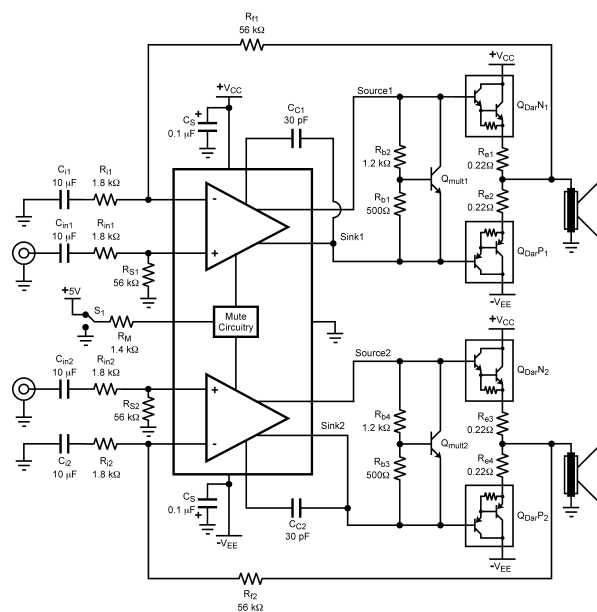
### Features

- Very high voltage operation
- Scalable output power
- Minimum external components
- External compensation
- Thermal Shutdown and Mute

### Applications

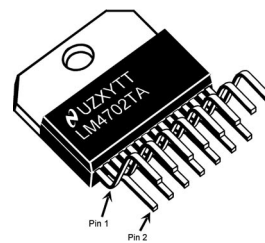
- AV receivers
- Audiophile power amps
- Pro Audio
- High voltage industrial applications

### Typical Application and Connection Diagrams



20158319

**FIGURE 1. Typical Audio Amplifier Application Circuit**



20158302

**Plastic Package — 15 Lead TO-220  
(for LM4702BTA, LM4702CTA)**



20158320

**Metal Can — 15 Lead TO-3  
(for LM4702A, in development)**

Overture® is a registered trademark of National Semiconductor Corporation.

Typical Application and Connection Diagrams (Continued)

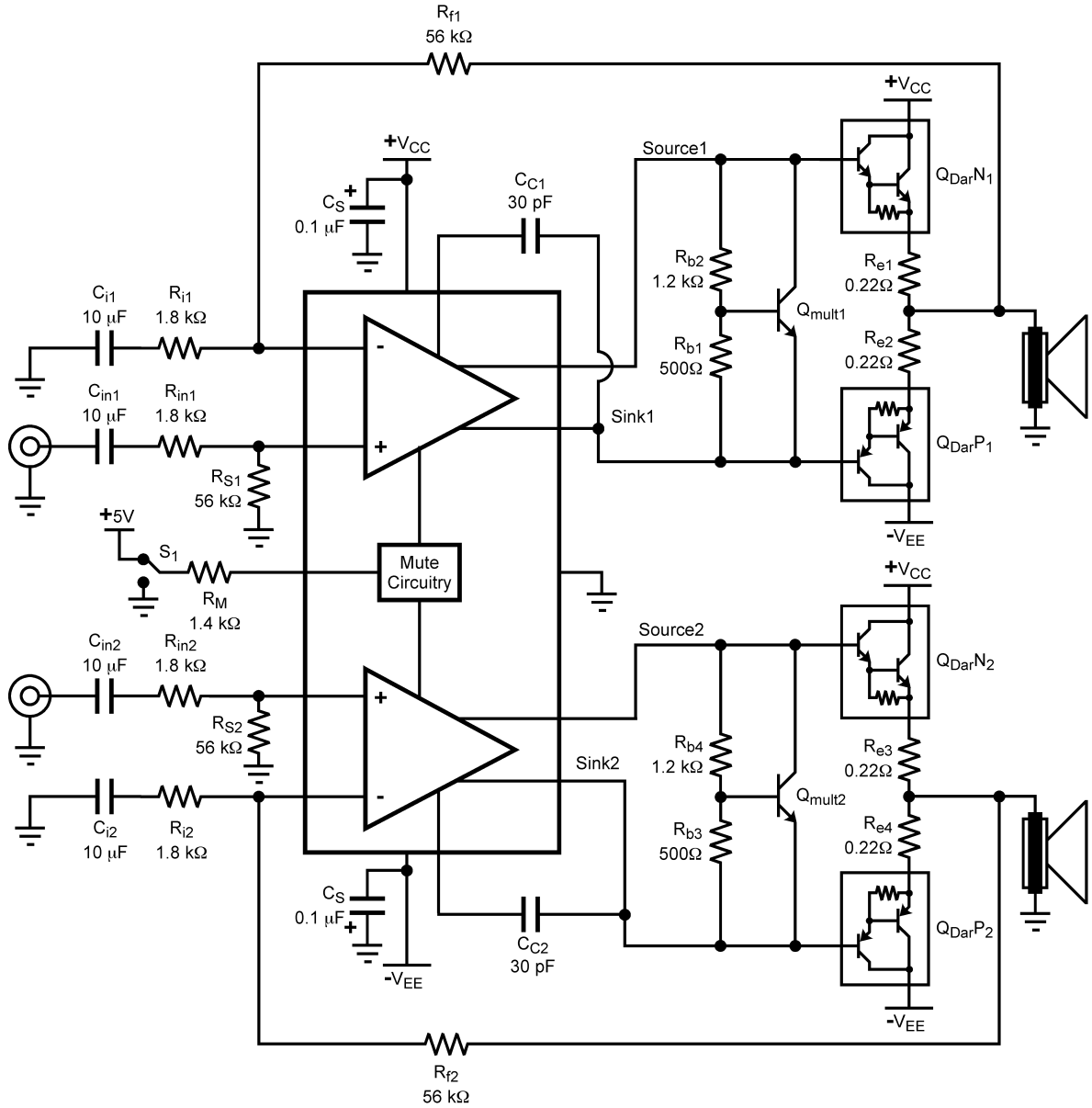
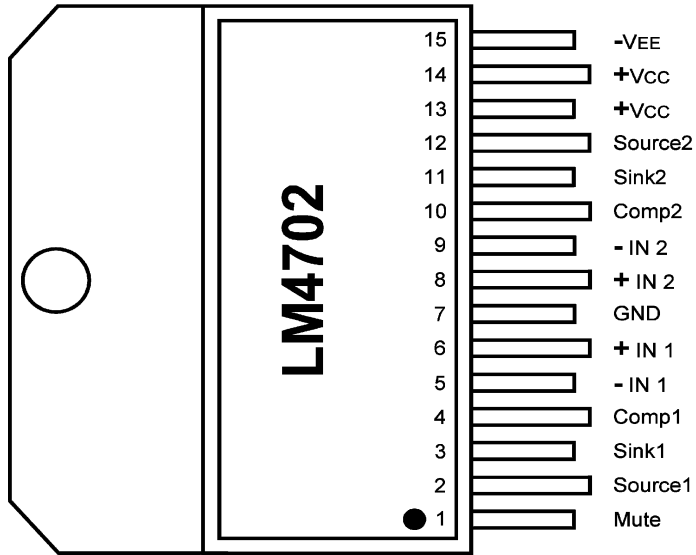


FIGURE 1. Typical Audio Amplifier Application Circuit

20158319

# Connection Diagram

Plastic Package (For B and C) (Note 13)



Top View

Order Number LM4702BTA, LM4702CTA  
See NS Package Number TA15A

20158301

**Absolute Maximum Ratings** (Notes 1,

2)

If Military/Aerospace specified devices are required, please contact the National Semiconductor Sales Office/Distributors for availability and specifications.

Supply Voltage  $IV^+ + IV^-$ 

C Part 200V

A, B Parts 200V

Differential Input Voltage  $\pm 6V$ Common Mode Input Range 0.4 V<sub>ee</sub> to 0.4 V<sub>cc</sub>

Power Dissipation (Note 3) 4W

ESD Susceptibility (Note 4) 1.5kV

ESD Susceptibility (Note 5) 200V

Junction Temperature (T<sub>JMAX</sub>) (Note 9) 150°C

Soldering Information

T Package (10 seconds) 260°C

Storage Temperature -40°C to +150°C

Thermal Resistance

 $\theta_{JA}$  30°C/W $\theta_{JC}$  1°C/W**Operating Ratings** (Notes 1, 2)

Temperature Range

 $T_{MIN} \leq T_A \leq T_{MAX}$  -20°C  $\leq T_A \leq$  +75°CSupply Voltage  $IV^+ + IV^-$ LM4702A (in development)  $\pm 20V \leq V_{TOTAL} \leq \pm 100V$ LM4702B  $\pm 20V \leq V_{TOTAL} \leq \pm 100V$ LM4702C  $\pm 20V \leq V_{TOTAL} \leq \pm 75V$ **Electrical Characteristics (LM4702C) V<sub>cc</sub> = +75V, V<sub>ee</sub> = -75V** (Notes 1, 2)The following specifications apply for I<sub>MUTE</sub> = 1.5mA, Figure 1, unless otherwise specified. Limits apply for T<sub>A</sub> = 25°C.

Symbol	Parameter	Conditions	LM4702		Units (Limits)
			Typical (Note 6)	Limit (Notes 7, 8)	
I <sub>CC</sub>	Total Quiescent Power Supply Current	V <sub>CM</sub> = 0V, V <sub>O</sub> = 0V, I <sub>O</sub> = 0A	25	30	mA (max)
THD+N	Total Harmonic Distortion + Noise	No load, A <sub>V</sub> = 30dB V <sub>OUT</sub> = 14V <sub>RMS</sub> @ 1kHz	0.005		%
R <sub>S</sub>	Input Bias Resistor		50	100	kΩ (max)
A <sub>V</sub>	Closed Loop Voltage Gain			26	dB (min)
A <sub>V</sub> open	Open Loop Gain	V <sub>in</sub> = 1mV <sub>rms</sub> , f = 1KHz, C = 30pF	93		dB
V <sub>om</sub>	Output Voltage Swing	THD = 0.05%, Freq = 20Hz to 20KHz	51		V <sub>rms</sub> (min)
V <sub>noise</sub>	Output Noise	R <sub>s</sub> = 10kΩ, LPF = 30kHz, A <sub>V</sub> = 30dB A-weighted	150	300	μV (max)
			90		μV
I <sub>OUT</sub>	Output Current	Current from Source to Sink Pins	5.5	3	mA (min)
				10	mA (max)
I <sub>mute</sub>	Current into Mute Pin	To put part in "play" mode	1.5	1	mA (min)
				2	mA (max)
X <sub>TALK</sub>	Channel Separation (Note 11)	f = 1kHz @ A <sub>V</sub> = 30dB	85		dB
SR	Slew Rate	V <sub>IN</sub> = 1.2V <sub>P-P</sub> , f = 10kHz square Wave, Outputs shorted	15		V/μs
V <sub>OS</sub>	Input Offset Voltage	V <sub>CM</sub> = 0V, I <sub>O</sub> = 0mA	10	35	mV (max)
I <sub>B</sub>	Input Bias Current	V <sub>CM</sub> = 0V, I <sub>O</sub> = 0mA	500		nA
PSRR	Power Supply Rejection Ratio	R <sub>s</sub> = 1k, f = 100Hz, V <sub>ripple</sub> = 1V <sub>rms</sub> , Input Referred	110	95	dB (min)

**Electrical Characteristics (LM4702C) V<sub>cc</sub> = +50V, V<sub>ee</sub> = -50V** (Notes 1, 2)The following specifications apply for I<sub>MUTE</sub> = 1.5mA, Figure 1, unless otherwise specified. Limits apply for T<sub>A</sub> = 25°C.

Symbol	Parameter	Conditions	LM4702		Units (Limits)
			Typical (Note 6)	Limit (Notes 7, 8)	
I <sub>CC</sub>	Total Quiescent Power Supply Current	V <sub>CM</sub> = 0V, V <sub>O</sub> = 0V, I <sub>O</sub> = 0A	22	30	mA (max)
THD+N	Total Harmonic Distortion + Noise	No load, A <sub>V</sub> = 30dB V <sub>OUT</sub> = 10V <sub>RMS</sub> @ 1kHz	0.005		%

**Electrical Characteristics (LM4702C)  $V_{CC} = +50V$ ,  $V_{EE} = -50V$**  (Notes 1,

2) (Continued)

The following specifications apply for  $I_{MUTE} = 1.5mA$ , Figure 1, unless otherwise specified. Limits apply for  $T_A = 25^\circ C$ .

Symbol	Parameter	Conditions	LM4702		Units (Limits)
			Typical (Note 6)	Limit (Notes 7, 8)	
$R_S$	Input Bias Resistor		50	100	k $\Omega$ (max)
$A_v$	Closed Loop Voltage Gain			26	dB (min)
$A_{v\ open}$	Open Loop Gain	$V_{in} = 1mV_{rms}$ , $f = 1KHz$ , $C = 30pF$	93		dB
$V_{om}$	Output Voltage Swing	THD = 0.05%, Freq = 20Hz to 20KHz	33		V $_{rms}$ (min)
$V_{noise}$	Output Noise	$R_s = 10k\Omega$ , LPF = 30kHz, $A_v = 30dB$ A-weighted	150	300	$\mu V$ (max)
			90		$\mu V$
$I_{OUT}$	Output Current	Outputs Shorted	5.2	3	mA(min)
				10	mA (max)
$I_{mute}$	Current into Mute Pin	To put part in "play" mode	1.5	1	mA(min)
				2	mA (max)
$X_{TALK}$	Channel Separation (Note 11)	$f = 1kHz$ at $A_v = 30dB$	85		dB
SR	Slew Rate	$V_{IN} = 1.2V_{P-P}$ , $f = 10kHz$ square Wave, Outputs shorted	15		V/ $\mu s$
$V_{OS}$	Input Offset Voltage	$V_{CM} = 0V$ , $I_O = 0mA$	10	35	mV (max)
$I_B$	Input Bias Current	$V_{CM} = 0V$ , $I_O = 0mA$	500		nA
PSRR	Power Supply Rejection Ratio	$R_s = 1k$ , $f = 100Hz$ , Vripple = 1V $_{rms}$ , Input Referred	110	95	dB (min)

**Electrical Characteristics (LM4702B)  $V_{CC} = +100V$ ,  $V_{EE} = -100V$**  (Notes 1, 2)The following specifications apply for  $I_{MUTE} = 1.5mA$ , Figure 1, unless otherwise specified. Limits apply for  $T_A = 25^\circ C$ .

Symbol	Parameter	Conditions	LM4702		Units (Limits)
			Typical (Note 6)	Limit (Notes 7, 8)	
$I_{CC}$	Total Quiescent Power Supply Current	$V_{CM} = 0V$ , $V_O = 0V$ , $I_O = 0A$	27	35	mA (max)
THD+N	Total Harmonic Distortion + Noise	No load, $A_v = 30dB$ $V_{OUT} = 20V_{RMS}$ @ 1kHz	0.0003	0.001	% (max)
$R_S$	Input Bias Resistor		50	100	k $\Omega$ (max)
$A_v$	Closed Loop Voltage Gain			26	dB (min)
$A_{v\ open}$	Open Loop Gain	$V_{in} = 1mV_{rms}$ , $f = 1KHz$ , $C = 30pF$	93		dB
$V_{om}$	Output Voltage Swing	THD = 0.05%, Freq = 20Hz to 20KHz	67		V $_{rms}$ (min)
$V_{noise}$	Output Noise	$R_s = 10k\Omega$ , LPF = 30kHz, $A_v = 30dB$ A-weighted	150	300	$\mu V$ (max)
			90		
$I_{OUT}$	Output Current	Outputs Shorted	5.5	3	mA(min)
				8	mA (max)
$I_{mute}$	Current into Mute Pin	To put part in "play" mode	1.5	1	mA(min)
				2	mA (max)
$X_{TALK}$	Channel Separation (Note 11)	$f = 1kHz$ at $A_v = 30dB$	87	85	dB (min)
SR	Slew Rate	$V_{IN} = 1.2V_{P-P}$ , $f = 10kHz$ square Wave, Outputs shorted	17	15	V/ $\mu s$ (min)
$V_{OS}$	Input Offset Voltage	$V_{CM} = 0V$ , $I_O = 0mA$	14	40	mV (max)
$I_B$	Input Bias Current	$V_{CM} = 0V$ , $I_O = 0mA$	200		nA (max)
PSRR	Power Supply Rejection Ratio	$R_s = 1k$ , $f = 100Hz$ , Vripple = 1V $_{rms}$ , Input Referred	110	100	dB (min)

## Electrical Characteristics (LM4702A) Vcc = +100V, Vee = -100V (Pre-release information) (Notes 1, 2)

The following specifications apply for  $I_{MUTE} = 1.5\text{mA}$ , Figure 1, unless otherwise specified. Limits apply for  $T_A = 25^\circ\text{C}$ .

Symbol	Parameter	Conditions	LM4702		Units (Limits)
			Typical (Note 6)	Limit (Notes 7, 8)	
$I_{CC}$	Total Quiescent Power Supply Current	$V_{CM} = 0\text{V}$ , $V_O = 0\text{V}$ , $I_O = 0\text{A}$	27	TBD	mA (max)
THD+N	Total Harmonic Distortion + Noise	No load, $A_V = 30\text{dB}$ $V_{OUT} = 20V_{RMS}$			
		$f = 1\text{kHz}$	0.001	TBD	% (max)
		$f = 10\text{kHz}$	TBD	TBD	
		$f = 100\text{Hz}$	TBD	TBD	
$R_S$	Input Bias Resistor		50	TBD	$k\Omega$ (max)
$A_V$	Closed Loop Voltage Gain			TBD	dB (min)
$A_{V\text{ open}}$	Open Loop Gain	$V_{in} = 1\text{mV}_{rms}$ , $f = 1\text{kHz}$ , $C = 30\text{pF}$	93		dB
$V_{om}$	Output Voltage Swing	THD = 0.05%, Freq = 20Hz to 20kHz	57	TBD	V <sub>rms</sub> (min)
$V_{noise}$	Output Noise	$R_S = 10k\Omega$ , LPF = 30kHz, $A_V = 30\text{dB}$ A-weighted	100	TBD	$\mu\text{V}$ (max)
			80	TBD	
$I_{OUT}$	Output Current	Outputs Shorted	5.5	TBD	mA(min)
				TBD	mA (max)
$I_{mute}$	Current into Mute Pin	To put part in "play" mode	1.5	TBD	mA(min) mA (max)
$X_{TALK}$	Channel Separation (Note 11)	$A_V = 30\text{dB}$			
		$f = 1\text{kHz}$	90	TBD	dB (min)
		$f = 10\text{kHz}$	TBD	TBD	
		$f = 100\text{Hz}$	TBD	TBD	
SR	Slew Rate	$V_{IN} = 1.2V_{P-P}$ , $f = 10\text{kHz}$ square Wave, Outputs shorted	TBD	TBD	V/ $\mu\text{s}$ (min)
$V_{OS}$	Input Offset Voltage	$V_{CM} = 0\text{V}$ , $I_O = 0\text{mA}$	5	TBD	mV (max)
$I_B$	Input Bias Current	$V_{CM} = 0\text{V}$ , $I_O = 0\text{mA}$	150	TBD	nA (max)
PSRR	Power Supply Rejection Ratio	$R_S = 1k$ , $f = 100\text{Hz}$ , Vripple = 1V <sub>rms</sub> , Input Referred	110	TBD	dB (min)
IMD	Intermodulation Distortion	at 20kHz / 19kHz at 60Hz / 7kHz	TBD	TBD	dB

**Note 1:** All voltages are measured with respect to the ground pins, unless otherwise specified.

**Note 2:** Absolute Maximum Ratings indicate limits beyond which damage to the device may occur. Operating Ratings indicate conditions for which the device is functional, but do not guarantee specific performance limits. Electrical Characteristics state DC and AC electrical specifications under particular test condition which guarantee specific performance limits. This assumes that the device is within the Operating Ratings. Specifications are not guaranteed for parameters where no limit is given. However, the typical value is a good indication of device's performance.

**Note 3:** The maximum power dissipation must be de-rated at elevated temperatures and is dictated by  $T_{JMAX}$ ,  $\theta_{JC}$ , and the ambient temperature  $T_A$ . The maximum allowable power dissipation is  $P_{DMAX} = (T_{JMAX} - T_A)/\theta_{JC}$  or the number given in the Absolute Maximum Ratings, whichever is lower. For the LM4702,  $T_{JMAX} = 150^\circ\text{C}$  and the typical  $\theta_{JC}$  is  $1^\circ\text{C/W}$ . Refer to the **Thermal Considerations** section for more information.

**Note 4:** Human body model, 100pF discharged through a 1.5k $\Omega$  resistor.

**Note 5:** Machine Model: a 220pF - 240pF discharged through all pins.

**Note 6:** Typical specifications are measured at  $25^\circ\text{C}$  and represent the parametric norm.

**Note 7:** Tested limits are guaranteed to National's AOQL (Average Outgoing Quality Level).

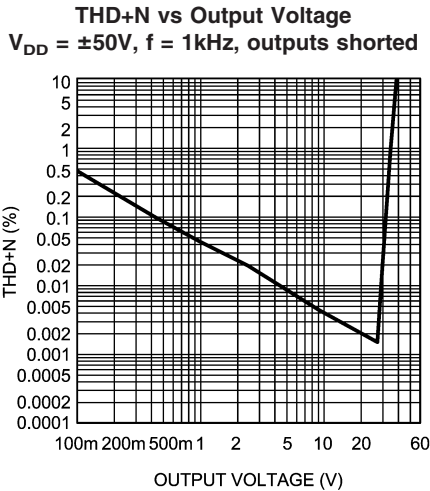
**Note 8:** Datasheet min/max specification limits are guaranteed by design, test, or statistical analysis.

**Note 9:** The maximum operating junction temperature is  $150^\circ\text{C}$ .

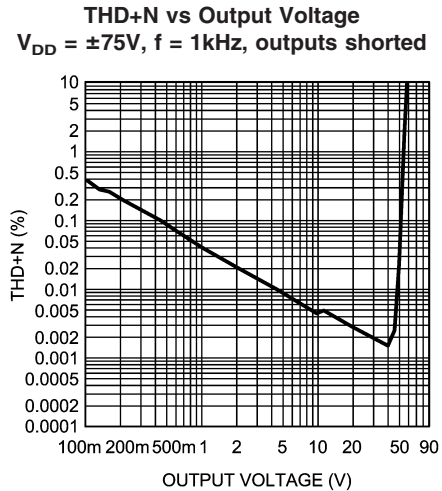
**Note 10:** PCB layout will affect cross talk. It is recommended that input and output traces be separated by as much distance as possible. Return ground traces from outputs should be independent back to a single ground point and use as wide of traces as possible.

**Note 11:** The TA15A is a non-isolated package. The package's metal back and any heat sink to which it is mounted are connected to the Vee potential when using only thermal compound. If a mica washer is used in addition to thermal compound,  $\theta_{CS}$  (case to sink) is increased, but the heat sink will be electrically isolated from Vee.

# Typical Performance Characteristics for LM4702C

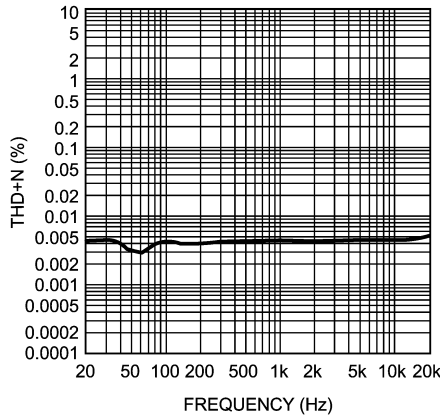


20158308



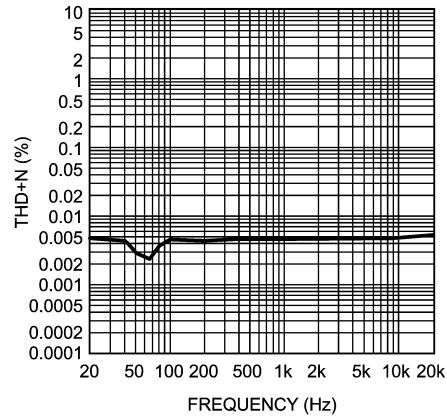
20158338

**THD+N vs Frequency**  
 $V_{DD} = \pm 50V$ ,  $V_{OUT} = 10V_{rms}$ , outputs shorted



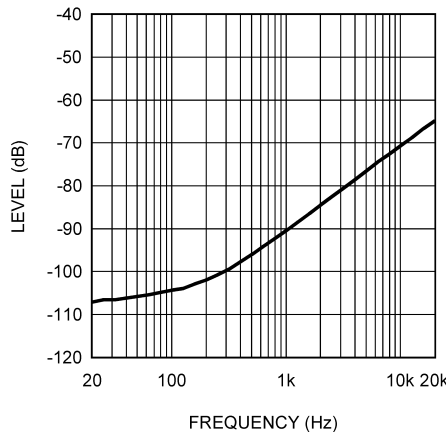
20158310

**THD+N vs Frequency**  
 $V_{DD} = \pm 75V$ ,  $V_{OUT} = 14V_{rms}$ , outputs shorted



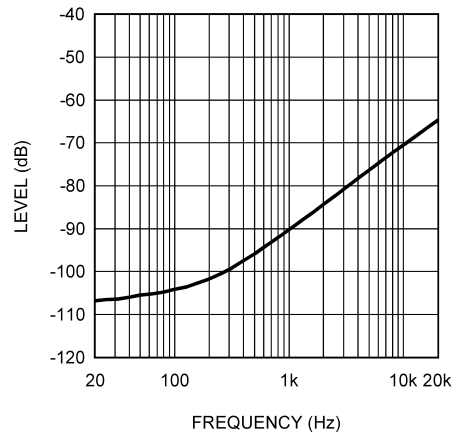
20158339

**Crosstalk vs Frequency**  
 $V_{DD} = \pm 50V$



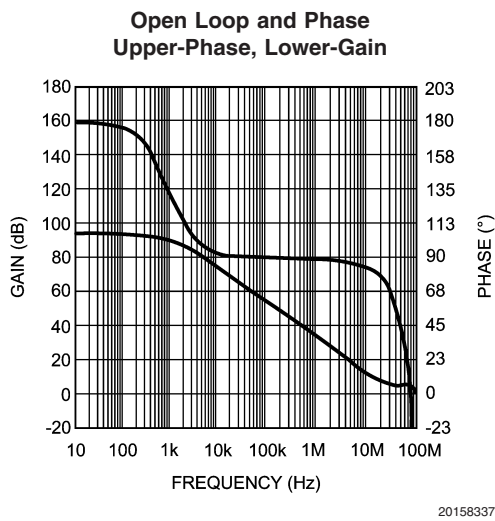
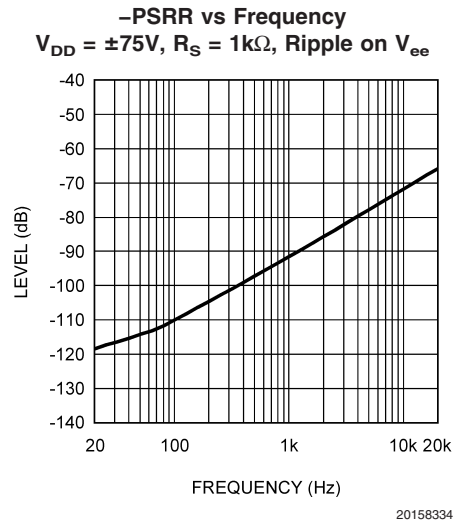
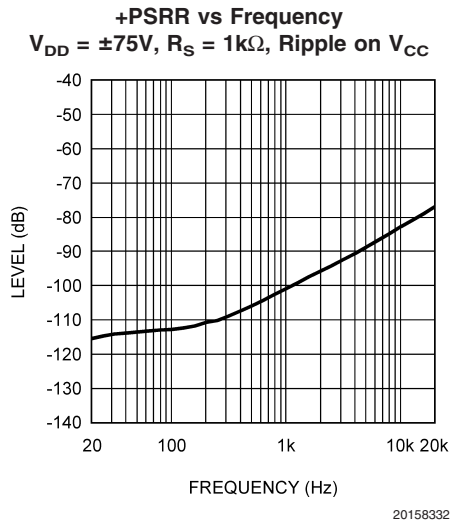
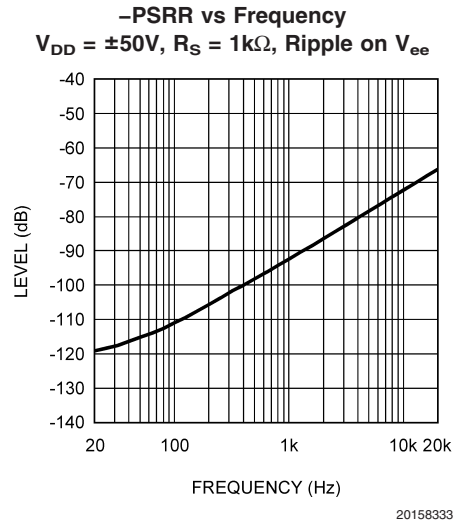
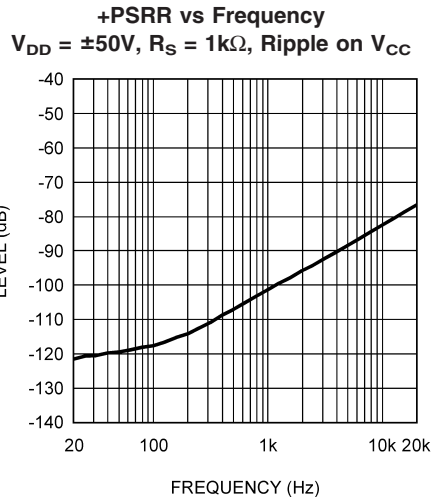
20158335

**Crosstalk vs Frequency**  
 $V_{DD} = \pm 75V$



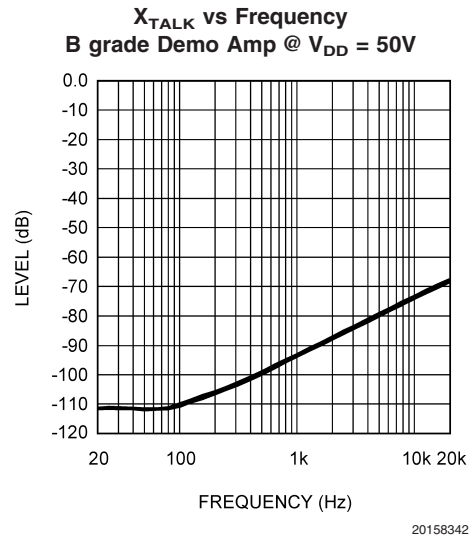
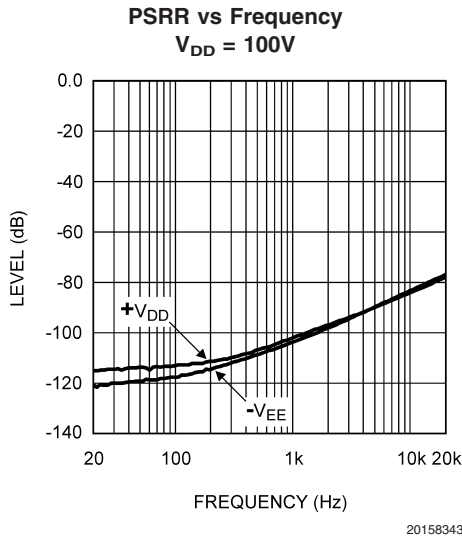
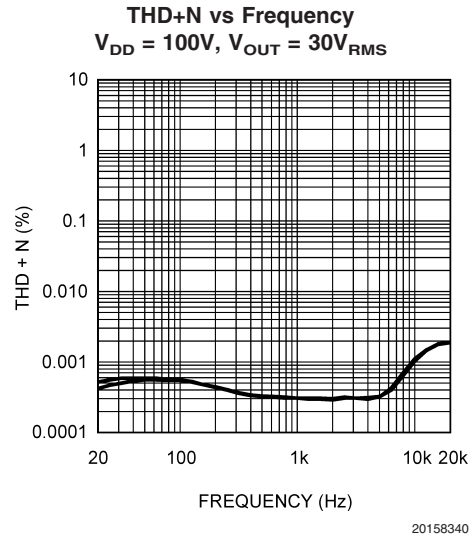
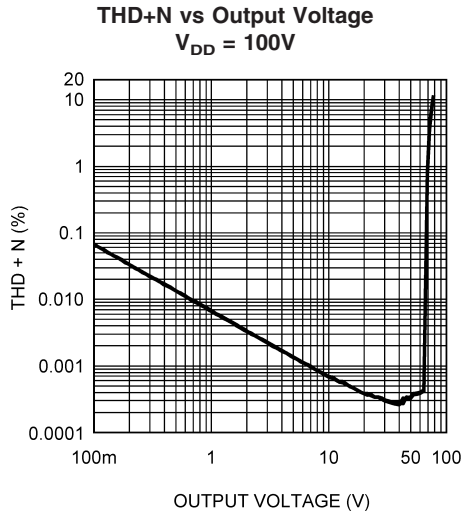
20158336

# Typical Performance Characteristics for LM4702C (Continued)

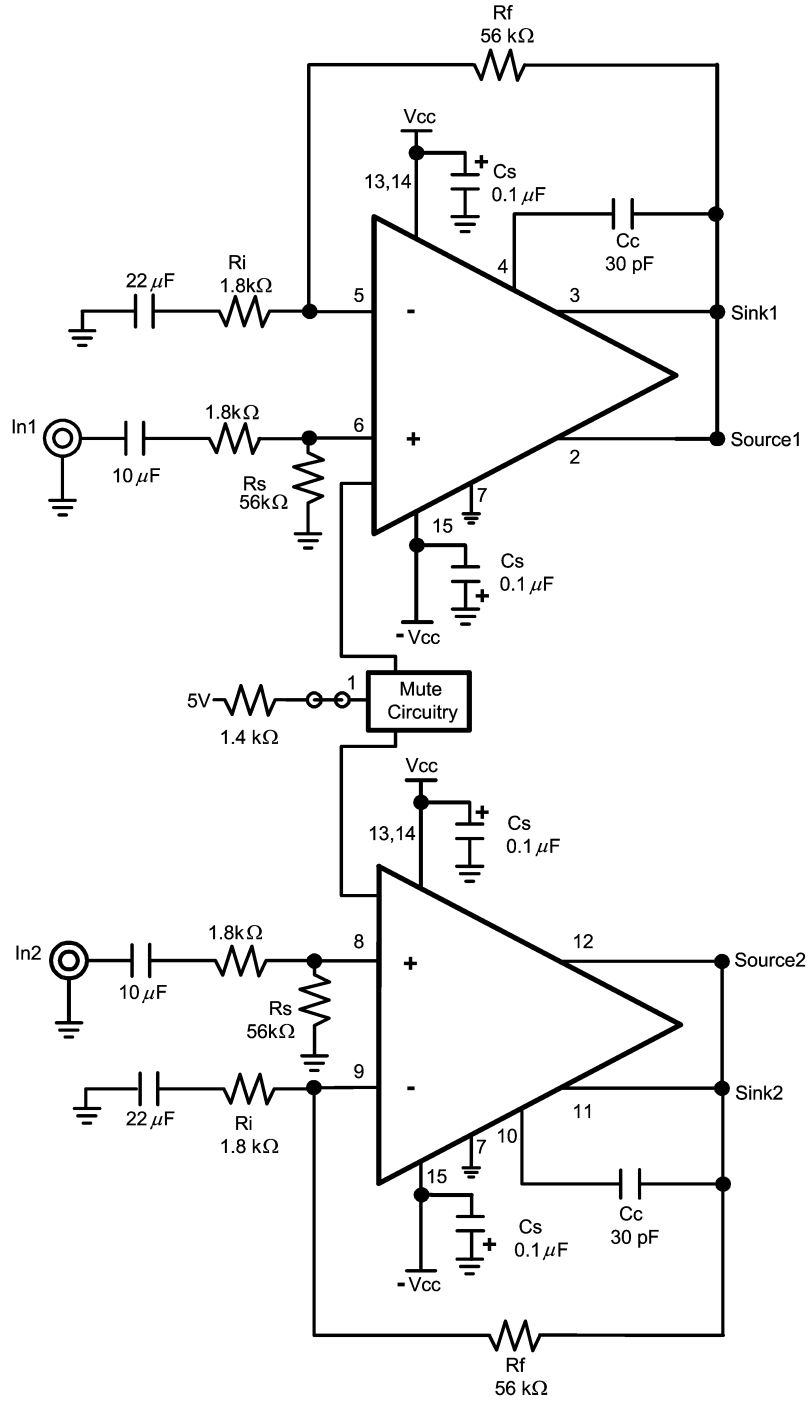




# Typical Performance Characteristics for LM4702B



Test Circuit



20158303

FIGURE 1.

## Application Information

### MUTE FUNCTION

The mute function of the LM4702 is controlled by the amount of current that flows into the mute pin. If there is less than 1mA of current flowing into the mute pin, the part will be in mute. This can be achieved by shorting the mute pin to ground or by floating the mute pin. If there is between 1mA and 2mA of current flowing into the mute pin, the part will be in "play" mode. This can be done by connecting a power supply (Vmute) to the mute pin through a resistor (Rm). The current into the mute pin can be determined by the equation  $I_{\text{mute}} = (V_{\text{mute}} - 2.9) / R_m$ . For example, if a 5V power supply is connected through a 1.4k resistor to the mute pin, then the mute current will be 1.5mA, at the center of the specified range. It is also possible to use Vcc as the power supply for the mute pin, though Rm will have to be recalculated accordingly. It is not recommended to flow more than 2mA of current into the mute pin because damage to the LM4702 may occur.

It is highly recommended to switch between mute and "play" modes rapidly. This is accomplished most easily through using a toggle switch that alternatively connects the mute pin through a resistor to either ground or the mute pin power supply. Slowly increasing the mute current may result in undesired voltages on the outputs of the LM4702, which can damage an attached speaker.

### THERMAL PROTECTION

The LM4702 has a sophisticated thermal protection scheme to prevent long-term thermal stress of the device. When the temperature on the die exceeds 150°C, the LM4702 shuts down. It starts operating again when the die temperature drops to about 145°C, but if the temperature again begins to rise, shutdown will occur again above 150°C. Therefore, the device is allowed to heat up to a relatively high temperature if the fault condition is temporary, but a sustained fault will cause the device to cycle in a Schmitt Trigger fashion between the thermal shutdown temperature limits of 150°C and 145°C. This greatly reduces the stress imposed on the IC by thermal cycling, which in turn improves its reliability under sustained fault conditions.

Since the die temperature is directly dependent upon the heat sink used, the heat sink should be chosen so that thermal shutdown is not activated during normal operation. Using the best heat sink possible within the cost and space constraints of the system will improve the long-term reliability of any power semiconductor device, as discussed in the **Determining the Correct Heat Sink** section.

### POWER DISSIPATION AND HEAT SINKING

When in "play" mode, the LM4702 draws a constant amount of current, regardless of the input signal amplitude. Consequently, the power dissipation is constant for a given supply voltage and can be computed with the equation  $P_{\text{DMAX}} = I_{\text{CC}} * (V_{\text{CC}} - V_{\text{EE}})$ . For a quick calculation of  $P_{\text{DMAX}}$ , approximate the current to be 25mA and multiply it by the total supply voltage (the current varies slightly from this value over the operating range).

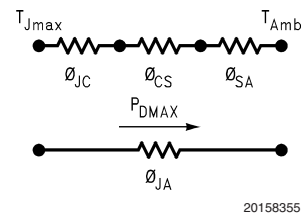
### DETERMINING THE CORRECT HEAT SINK

The choice of a heat sink for a high-power audio amplifier is made entirely to keep the die temperature at a level such that the thermal protection circuitry is not activated under normal circumstances.

The thermal resistance from the die to the outside air,  $\theta_{\text{JA}}$  (junction to ambient), is a combination of three thermal resistances,  $\theta_{\text{JC}}$  (junction to case),  $\theta_{\text{CS}}$  (case to sink), and  $\theta_{\text{SA}}$  (sink to ambient). The thermal resistance,  $\theta_{\text{JC}}$  (junction to case), of the LM4702T is 0.8°C/W. Using Thermalloy Thermacote thermal compound, the thermal resistance,  $\theta_{\text{CS}}$  (case to sink), is about 0.2°C/W. Since convection heat flow (power dissipation) is analogous to current flow, thermal resistance is analogous to electrical resistance, and temperature drops are analogous to voltage drops, the power dissipation out of the LM4702 is equal to the following:

$$P_{\text{DMAX}} = (T_{\text{JMAX}} - T_{\text{AMB}}) / \theta_{\text{JA}} \quad (1)$$

where  $T_{\text{JMAX}} = 150^\circ\text{C}$ ,  $T_{\text{AMB}}$  is the system ambient temperature and  $\theta_{\text{JA}} = \theta_{\text{JC}} + \theta_{\text{CS}} + \theta_{\text{SA}}$ .



Once the maximum package power dissipation has been calculated using equation 2, the maximum thermal resistance,  $\theta_{\text{SA}}$ , (heat sink to ambient) in °C/W for a heat sink can be calculated. This calculation is made using equation 4 which is derived by solving for  $\theta_{\text{SA}}$  in equation 3.

$$\theta_{\text{SA}} = [(T_{\text{JMAX}} - T_{\text{AMB}}) - P_{\text{DMAX}}(\theta_{\text{JC}} + \theta_{\text{CS}})] / P_{\text{DMAX}} \quad (2)$$

Again it must be noted that the value of  $\theta_{\text{SA}}$  is dependent upon the system designer's amplifier requirements. If the ambient temperature that the audio amplifier is to be working under is higher than 25°C, then the thermal resistance for the heat sink, given all other things are equal, will need to be smaller.

### PROPER SELECTION OF EXTERNAL COMPONENTS

Proper selection of external components is required to meet the design targets of an application. The choice of external component values that will affect gain and low frequency response are discussed below.

The gain of each amplifier is set by resistors  $R_f$  and  $R_i$  for the non-inverting configuration shown in Figure 1. The gain is found by Equation (3) below:

$$A_v = 1 + R_f / R_i \quad (\text{V/V}) \quad (3)$$

For best noise performance, lower values of resistors are used. A value of 1kΩ is commonly used for  $R_i$  and then setting the value of  $R_f$  for the desired gain. For the LM4702 the gain should be set no lower than 26dB. Gain settings below 26dB may experience instability.

The combination of  $R_i$  with  $C_i$  (see Figure 1) creates a high pass filter. The low frequency response is determined by these two components. The -3dB point can be found from Equation (4) shown below:

$$f_i = 1 / (2\pi R_i C_i) \quad (\text{Hz}) \quad (4)$$

If an input coupling capacitor is used to block DC from the inputs as shown in Figure 5, there will be another high pass filter created with the combination of  $C_{\text{IN}}$  and  $R_{\text{IN}}$ . When using an input coupling capacitor  $R_{\text{IN}}$  is needed to set the DC

## Application Information (Continued)

bias point on the amplifier's input terminal. The resulting -3dB frequency response due to the combination of  $C_{IN}$  and  $R_{IN}$  can be found from *Equation (5)* shown below:

$$f_{IN} = 1 / (2\pi R_{IN} C_{IN}) \text{ (Hz)} \quad (5)$$

With large values of  $R_{IN}$  oscillations may be observed on the outputs when the inputs are left floating. Decreasing the value of  $R_{IN}$  or not letting the inputs float will remove the oscillations. If the value of  $R_{IN}$  is decreased then the value of  $C_{IN}$  will need to increase in order to maintain the same -3dB frequency response.

### AVOIDING THERMAL RUNAWAY WHEN USING BIPOLAR OUTPUT STAGES

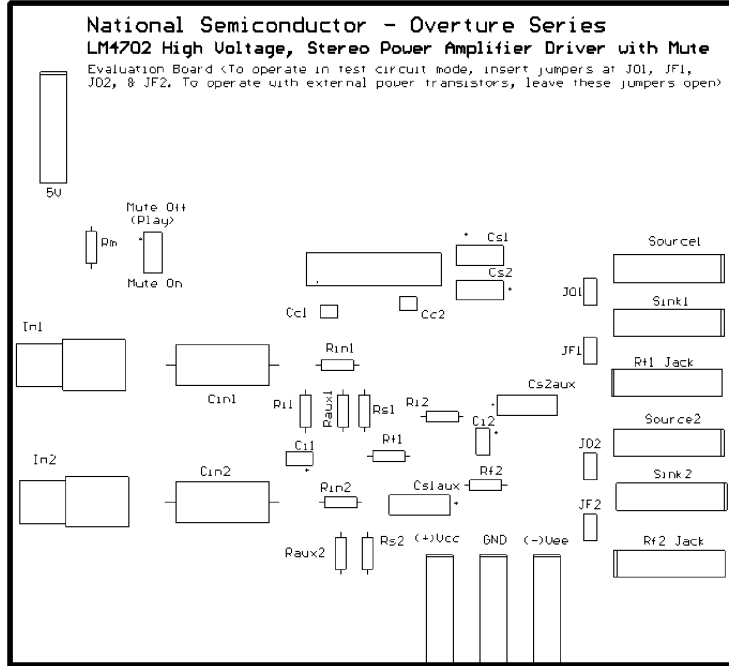
When using a bipolar output stage with the LM4702 (as in Figure 1), the designer must beware of thermal runaway. Thermal runaway is a result of the temperature dependence of  $V_{be}$  (an inherent property of the transistor). As temperature increases,  $V_{be}$  decreases. In practice, current flowing through a bipolar transistor heats up the transistor, which lowers the  $V_{be}$ . This in turn increases the current again, and the cycle repeats. If the system is not designed properly, this positive feedback mechanism can destroy the bipolar transistors used in the output stage.

One of the recommended methods of preventing thermal runaway is to use a heat sink on the bipolar output transistors. This will keep the temperature of the transistors lower. A second recommended method is to use emitter degeneration resistors (see  $R_{e1}$ ,  $R_{e2}$ ,  $R_{e3}$ ,  $R_{e4}$  in Figure 1). As current increases, the voltage across the emitter degeneration resistor also increases, which decreases the voltage across the base and emitter. This mechanism helps to limit the current and counteracts thermal runaway.

A third recommended method is to use a "Vbe multiplier" to bias the bipolar output stage (see Figure 1). The Vbe multiplier consists of a bipolar transistor ( $Q_{mult}$ , see Figure 1) and two resistors, one from the base to the collector ( $R_{b2}$ ,  $R_{b4}$ , see Figure 1) and one from the base to the emitter ( $R_{b1}$ ,  $R_{b3}$ , see Figure 1). The voltage from the collector to the emitter (also the bias voltage of the output stage) is  $V_{bias} = V_{be}(1+R_{b2}/R_{b1})$ , which is why this circuit is called the Vbe multiplier. When Vbe multiplier transistor ( $Q_{mult}$ , see Figure 1) is mounted to the same heat sink as the bipolar output transistors, its temperature will track that of the output transistors. Its  $V_{be}$  is dependent upon temperature as well, and so it will draw more current as the output transistors heat it up. This will limit the base current into the output transistors, which counteracts thermal runaway.

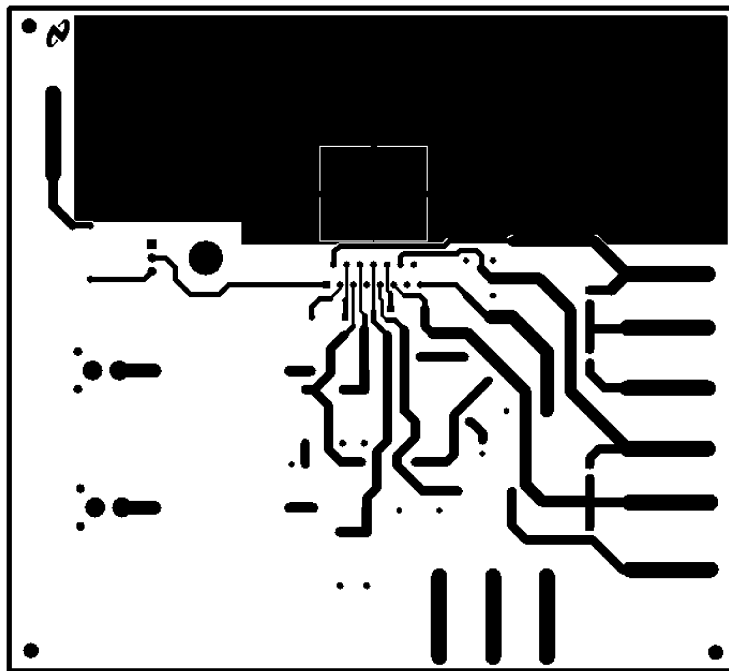
# LM4702 Demo Board Artwork

## Top Overlay



20158330

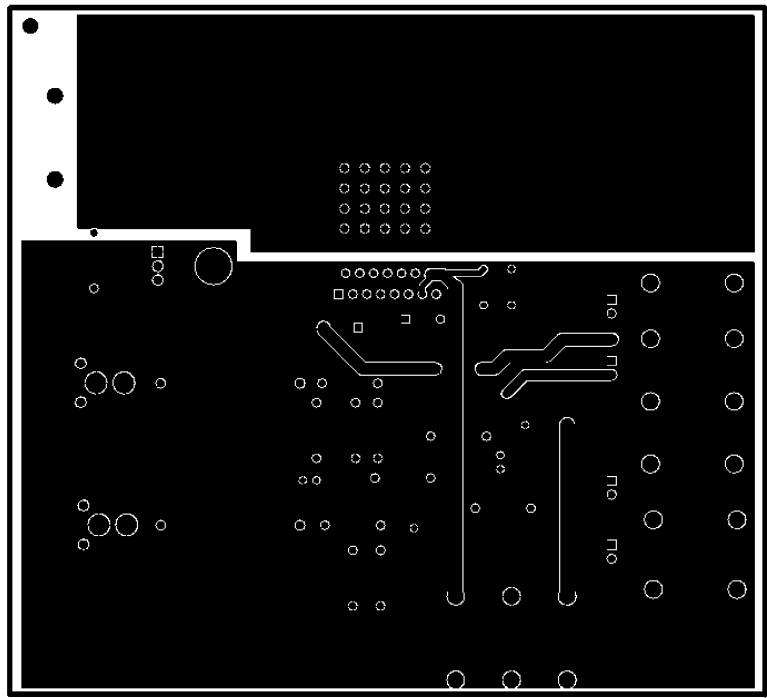
## Top Layer



20158329

# LM4702 Demo Board Artwork (Continued)

## Bottom Layer

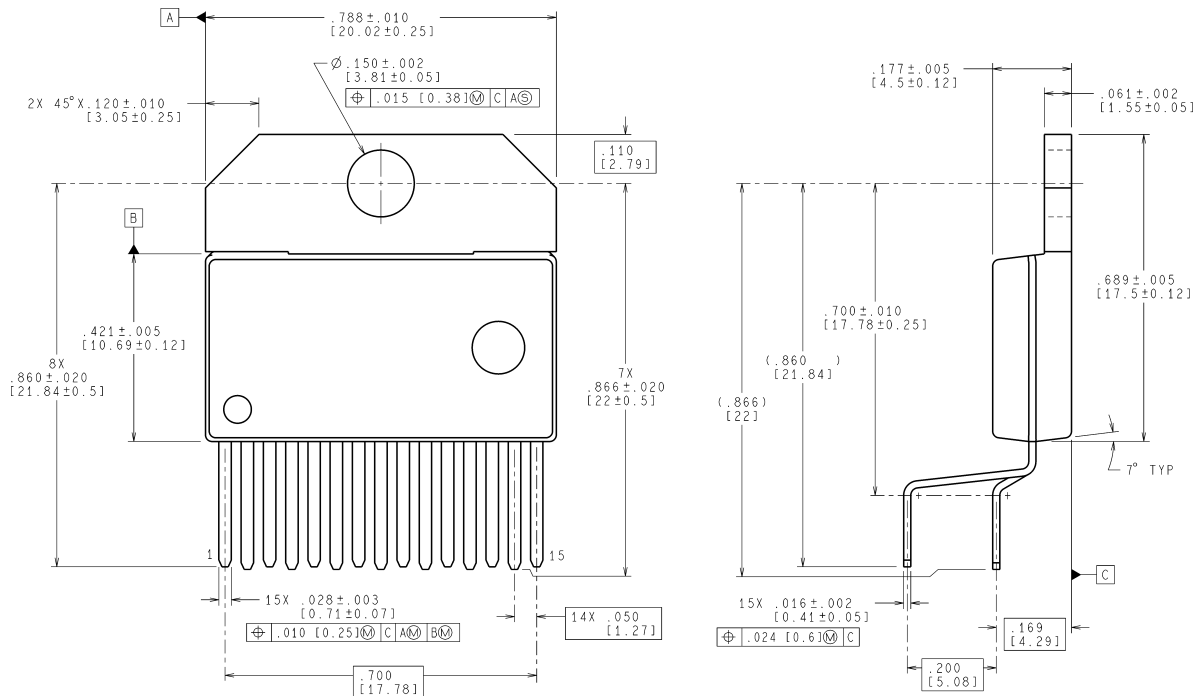


20158328

## Revision History

Rev	Date	Description
1.0	8/31/05	Initial WEB.
1.1	9/09/05	Taken out Limits on Vom (under the +75V and +50V).
1.2	9/14/05	Changed TM to R ( Overture R) in the doc title.
1.3	03/08/06	Text edits.
1.4	04/26/04	Edited Limit values on the LM4702B spec table.
1.5	08/09/06	Released the D/S to the WEB with the LM4702B data.
1.6	09/19/06	Removed the "Overture R" from the document title, then released the D/S to the WEB

**Physical Dimensions** inches (millimeters) unless otherwise noted



CONTROLLING DIMENSION IS INCH  
VALUES IN [ ] ARE MILLIMETERS

TA15A (Rev B)

**Non-Isolated TO-220 15-Lead Package**  
**Order Number LM4702BTA, LM4702CTA**  
**NS Package Number TA15A**

National does not assume any responsibility for use of any circuitry described, no circuit patent licenses are implied and National reserves the right at any time without notice to change said circuitry and specifications.

For the most current product information visit us at [www.national.com](http://www.national.com).

**LIFE SUPPORT POLICY**

NATIONAL'S PRODUCTS ARE NOT AUTHORIZED FOR USE AS CRITICAL COMPONENTS IN LIFE SUPPORT DEVICES OR SYSTEMS WITHOUT THE EXPRESS WRITTEN APPROVAL OF THE PRESIDENT AND GENERAL COUNSEL OF NATIONAL SEMICONDUCTOR CORPORATION. As used herein:

1. Life support devices or systems are devices or systems which, (a) are intended for surgical implant into the body, or (b) support or sustain life, and whose failure to perform when properly used in accordance with instructions for use provided in the labeling, can be reasonably expected to result in a significant injury to the user.
2. A critical component is any component of a life support device or system whose failure to perform can be reasonably expected to cause the failure of the life support device or system, or to affect its safety or effectiveness.

**BANNED SUBSTANCE COMPLIANCE**

National Semiconductor follows the provisions of the Product Stewardship Guide for Customers (CSP-9-111C2) and Banned Substances and Materials of Interest Specification (CSP-9-111S2) for regulatory environmental compliance. Details may be found at: [www.national.com/quality/green](http://www.national.com/quality/green).

Lead free products are RoHS compliant.



**National Semiconductor**  
**Americas Customer Support Center**  
Email: [new.feedback@nsc.com](mailto:new.feedback@nsc.com)  
Tel: 1-800-272-9959

**National Semiconductor**  
**Europe Customer Support Center**  
Fax: +49 (0) 180-530 85 86  
Email: [europe.support@nsc.com](mailto:europe.support@nsc.com)  
Deutsch Tel: +49 (0) 69 9508 6208  
English Tel: +44 (0) 870 24 0 2171  
Français Tel: +33 (0) 1 41 91 8790

**National Semiconductor**  
**Asia Pacific Customer Support Center**  
Email: [ap.support@nsc.com](mailto:ap.support@nsc.com)

**National Semiconductor**  
**Japan Customer Support Center**  
Fax: 81-3-5639-7507  
Email: [jpn.feedback@nsc.com](mailto:jpn.feedback@nsc.com)  
Tel: 81-3-5639-7560

[www.national.com](http://www.national.com)