

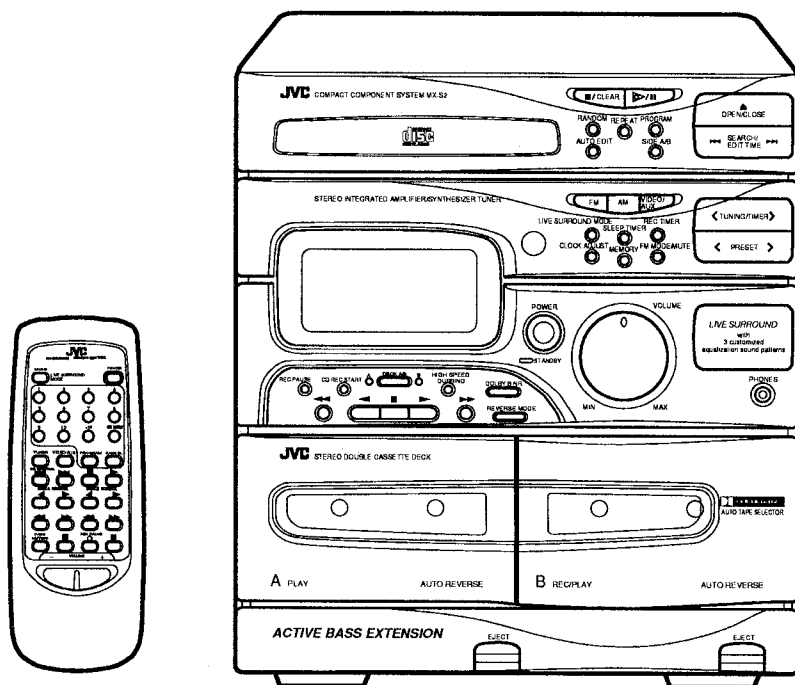
# JVC

## SERVICE MANUAL

### COMPACT COMPONENT SYSTEM

## CA-MXS2BK

この取扱説明書は、本製品の  
 日本での販売に際して  
 ナービス社 訳出された



COMPACT  
**disc**  
 DIGITAL AUDIO

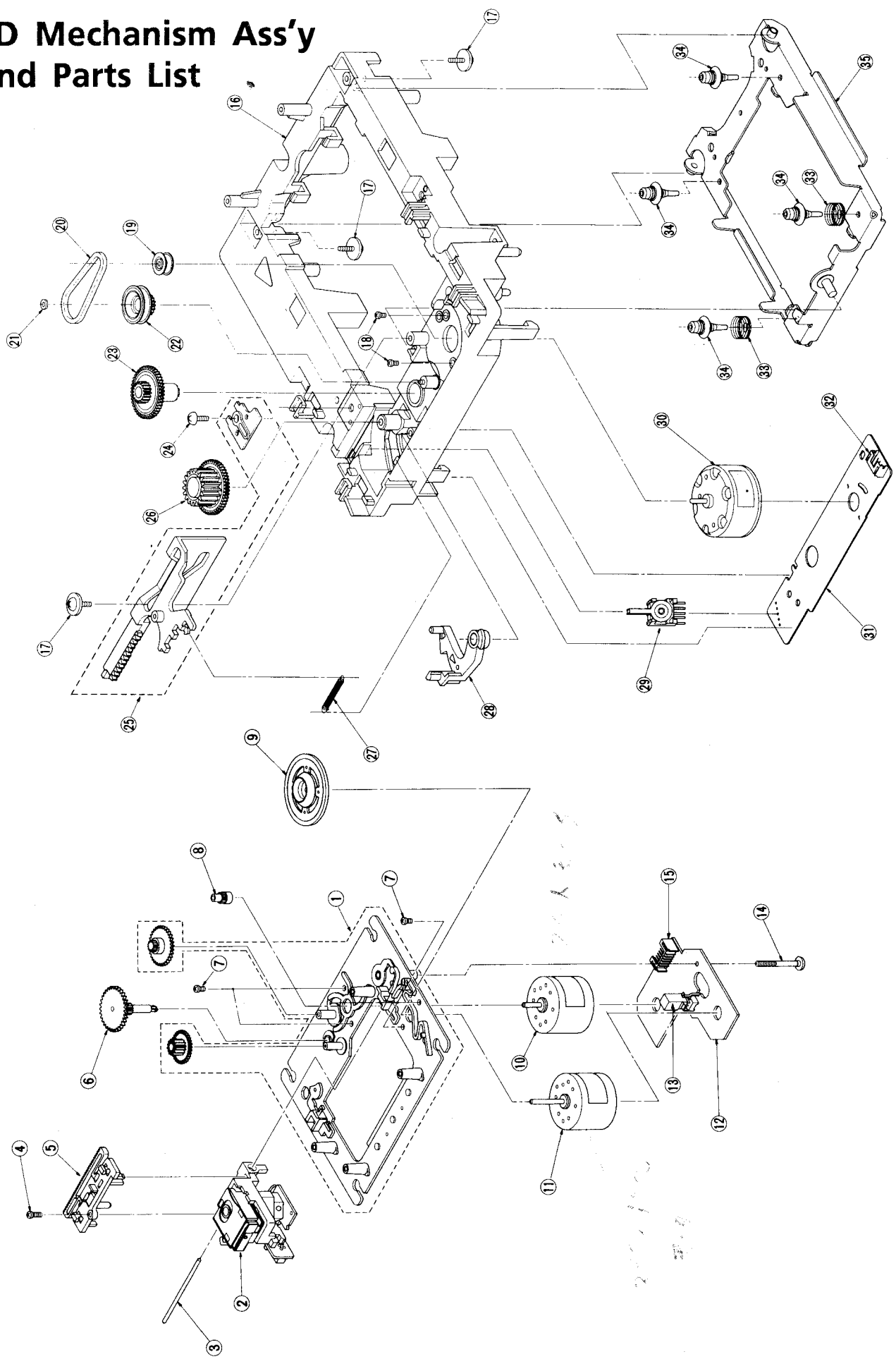
## Contents

Safety Precautions .....	1-2	Flow of Functional Operation	
Important for Laser Products .....	1-3	Until TOC is Read .....	1-52
Instruction Book .....	1-4	Maintenance of Laser Pickup .....	1-53
Description of Major LSIs .....	1-26	Replacement of Laser Pickup .....	1-53
Internal Block Diagram		Troubleshooting .....	1-54
of Other ICs .....	1-36	Block Diagrams .....	1-58
Internal Connection		Schematic Diagrams .....	Insertion
of the FL Display Tube .....	1-39	Printed Circuit Boards .....	Insertion
Disassembly Procedures .....	1-40	Parts List .....	Separate-volume Insertion
Application Points for Grease .....	1-45		
Adjustment Procedures .....	1-46		

## ■ Parts List (Cassette Mechanism Ass'y)

Item	Part Number	Part Name	Q'ty	Description	Area
1	VKL7246-001	EJECT BRACKET	2		
2	VKS3551-00B	HEAD MOUNT ASS'Y	1	(B)	
3	GBSF3008Z	SCREW	2		
4	VKB3001-054	BELT	1	(A)	
5	VKS5321-00D	REEL ASS'Y	2	RIGHT	
6	SDST2004Z	SCREW	4	FOR HEAD MOUNT ASSY	
7	VKL6942-00E	HEAD BASE ASS'Y	2		
8	VKW4994-001	HEAD SPRING	2		
9	VKP4221-00C	PINCH ROLLER	2	LEFT	
10	VKW4982-001	TORSION SPRING	2	LEFT	
11	VKW4933-005	TORSION SPRING	2	LEFT	
12	VKS1125-00A	CHASSIS BASE ASS'Y	2		
13	VKW4930-002	RETURN SPRING	2		
14	VKS3480-005	REEL ASS'Y	2	LEFT	
15	VKW4928-003	B.T. SPRING	4	FOR REEL ASSY	
16	VKL6940-002	PINCH ROLLER LEVER	2	LEFT	
17	VKS2209-005	CONTROL CAM	2		
18	VKF3186-00C	FLYWHEEL ASS'Y	2	LEFT	
19	VKB3001-055	BELT	1	(B)	
20	VKF3184-00C	FLYWHEEL ASS'Y	2	RIGHT	
21	SDSF2608Z	SCREW	2	PC BOARD-FM BRACKET	
22	MMN-6F4RA38	D.C. MOTOR	2	REEL	
23	VKS5331-002	GEAR	2		
24	VKS5330-004	GEAR	2		
25	MXN-13FB12F	D.C. MOTOR	2	CAM	
26	VKS5329-002	GEAR	2		
27	SDSP2605Z	SCREW	2	CHASSIS BASE-D.C.MOTOR	
28	VKL6939-002	PINCH ROLLER LEVER	2	RIGHT	
29	VKS5325-00F	F.F./REW.ARM ASS'Y	2		
30	VKS5328-002	REEL MOTOR GEAR	2		
31	VKS5327-003	THRUST PLATE	2		
32	VKY4628-002	SPRING	2		
33	VKP4219-00C	PINCH ROLLER ASS'Y	2	RIGHT	
34	VKW4981-001	TORSION SPRING	2	RIGHT	
35	VKW4932-005	TORSION SPRING	2	RIGHT	
36	E308162-001	EJECT LEVER	2		
37	E407214-001	SPECIAL SCREW	4		
38	VKS3550-00B	HEAD MOUNT ASS'Y	1	(A)	
39	VMW2362-001	CIRCUIT BOARD	2		
40	VKS3485-002	HEAD GEAR	2		
41	VMC0234-R08	CONNECTOR	1	(B)	
42	VMC0234-R07	CONNECTOR	2		
43	DN6851A	I.C.	2		
44	VKS3487-002	IC HOLDER	2		
45	VKS3587-00A	CAM SWITCH ASS'Y	2		
46	WDL163525-4	WASHER	1		
47	VKR4631-003	IDLER PULLEY	1		
48	VKM3618-00A	FM BRACKET	1		
49	SDSF2605Z	SCREW	4	CHASSIS BASE-FM BRACKET	
50	MMI-6H2LWSK	MOTOR	1	CAPSTAN	
51	VKR4632-002	MOTOR PULLEY	1		
52	SPSP2603Z	SCREW	2		
53	VDM007P-024I	HEAD WIRE	1	(B)	
54	VDM003P-040I	HEAD WIRE	1	(A)	
55	VMC0234-R04	CONNECTOR	1	(A)	
56	E407304-001	SPRING	2		

# CD Mechanism Ass'y and Parts List



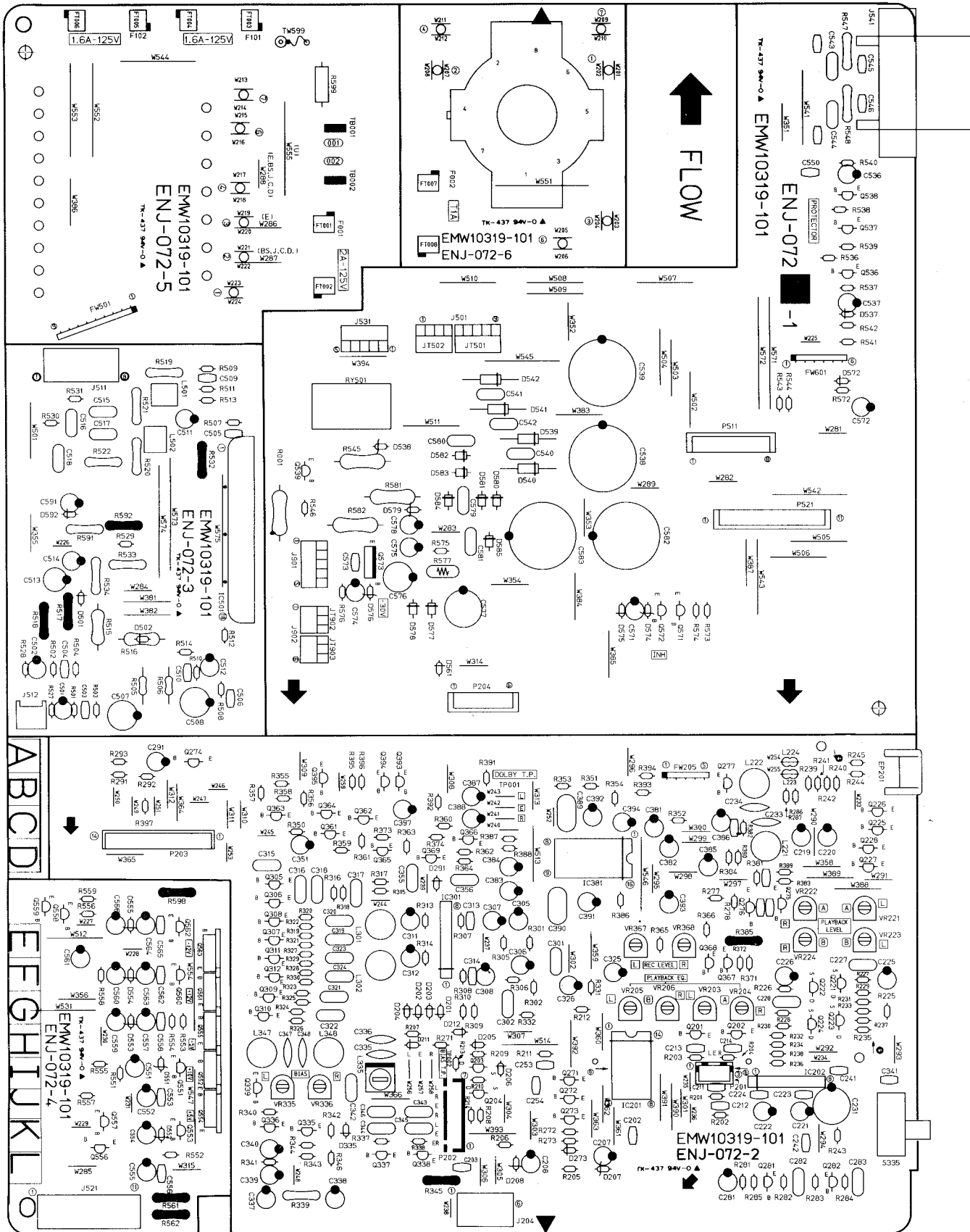
■ Parts List ( CD Mechanism Ass'y)

Item	Part Number	Part Name	Q'ty	Description	Area
1	EPB-002A	MECHANISM BASE ASSY	1		
2	OPTIMA-6S	PICK UP ASS'Y	1		
3	E406777-001	SHAFT	1		
4	SDSF2006Z	SCREW	1		
5	E307746-001	CD RACK	1		
6	EPB-003A	MECHANISM BASE ASSY	1		
7	SDSP2003N	SCREW	4		
8	E406750-001	PINION GEAR	1		
9	EPB-001C	TURNTABLE	1		
10	E406784-001	DC MOTOR	1		
11	E406783-001	DC MOTOR	1		
12	EMW10190-001(S)	CIRCUIT BOARD	1		
13	ESB1100-005	LEAF SWITCH	1		
14	E75832-001	SPECIAL SCREW	1		
15	EMV5109-006B	PLUG ASSY	1	6PIN	
16	E102357-221	LOADING BASE	1		
17	E65923-003	SCREW	3		
18	SPSK2640Z	SCREW	2		
19	E75984-001	MOTOR PULLEY	1		
20	E75950-002	BELT	1		
21	E72024-001	SPEED NUT	1		
22	E75985-001	GEAR	1		
23	E75986-002	GEAR	1		
24	SBSF3008Z	SCREW	1		
25	E307252-221	CAM - PLATE	1		
26	E75987-001	REEL GEAR	1		
27	E75989-001	SPRING	1		
28	E307162-221	LEVER	1		
29	ESS1200-002	SLIDE SWITCH	1		
30	RF-500TB-12560	MOTOR	1		
31	EMW10255-002(S)	CIRCUIT BOARD	1		
32	EMV5109-005B	PLUG ASSY	1	5PIN	
33	E406871-001	SPRING	2		
34	E406294-002	INSULATOR	4		
35	E307179-221	ELEVATOR BASE ASSY	1		

# Printed Circuit Board Ass'y and Parts List

## ■ ENJ-072 □ Power Supply & Deck PC Board Ass'y

Note : ENJ-072 □ varies according to the areas employed. See note (1) when placing an order.



Note (1)

PC Board Ass'y	Designated Areas
ENJ-072 [B]	Taiwan, Universal Type
ENJ-072 [H]	the U.S.A., Canada
ENJ-072 [I]	Australia
ENJ-072 [J]	Scandinavia, East Europe Continental Europe
ENJ-072 [K] BS	the U.K.
ENJ-072 [L]	Germany, Italy

Transistors

ITEM	PART NUMBER	DESCRIPTION	AREA
Q201	DTC144ES	SILICON ROHM	
Q202	DTC144ES	SILICON ROHM	
Q203	2SK373(O,Y)	F.E.T TOSHIBA	
Q204	2SK373(O,Y)	F.E.T TOSHIBA	
Q221	2SK301(Q,R)	F.E.T MATSUSHITA	
Q222	2SK301(Q,R)	F.E.T MATSUSHITA	
Q223	2SK301(Q,R)	F.E.T MATSUSHITA	
Q224	2SK301(Q,R)	F.E.T MATSUSHITA	
Q225	DTC114YS	SILICON ROHM	
Q226	DTC114YS	SILICON ROHM	
Q227	DTC114YS	SILICON ROHM	
Q228	DTC114YS	SILICON ROHM	
Q271	DTC144ES	SILICON ROHM	
Q272	DTA144ES	SILICON ROHM	
Q273	DTA144ES	SILICON ROHM	
Q274	DTC144ES	SILICON ROHM	
Q275	2SD2144S(VW)	SILICON ROHM	
Q276	2SD2144S(VW)	SILICON ROHM	
Q277	DTC144ES	SILICON ROHM	
Q281	2SC1685(Q,R)	SILICON MATSUSHITA	
Q282	2SC1685(Q,R)	SILICON MATSUSHITA	
Q305	DTC144TS	SILICON ROHM	
Q306	DTC144TS	SILICON ROHM	
Q307	DTC144TS	SILICON ROHM	
Q308	DTC144TS	SILICON ROHM	
Q309	DTC144TS	SILICON ROHM	
Q310	DTC144TS	SILICON ROHM	
Q311	DTC144TS	SILICON ROHM	
Q312	DTC144TS	SILICON ROHM	
Q335	2SC945A(P,Q)	SILICON NEC	
Q336	2SC945A(P,Q)	SILICON NEC	
Q337	2SC1685(Q,R)	SILICON MATSUSHITA	
Q338	2SC1685(Q,R)	SILICON MATSUSHITA	
Q339	DTC144ES	SILICON ROHM	
Q361	2SC1685(Q,R)	SILICON MATSUSHITA	
Q362	2SC1685(Q,R)	SILICON MATSUSHITA	
Q363	2SC1685(Q,R)	SILICON MATSUSHITA	
Q364	2SC1685(Q,R)	SILICON MATSUSHITA	
Q365	2SC1685(Q,R)	SILICON MATSUSHITA	
Q366	2SC1685(Q,R)	SILICON MATSUSHITA	
Q367	2SD2144S(VW)	SILICON ROHM	
Q368	2SD2144S(VW)	SILICON ROHM	
Q369	DTC144ES	SILICON ROHM	
Q393	2SD2144S(VW)	SILICON ROHM	
Q394	2SD2144S(VW)	SILICON ROHM	
Q395	DTA144ES	SILICON ROHM	
Q536	2SC1685(Q,R)	SILICON MATSUSHITA	
Q537	2SC1685(Q,R)	SILICON MATSUSHITA	
Q538	2SA933S(R,S)	SILICON ROHM	
Q539	2SC1685(Q,R)	SILICON MATSUSHITA	
Q551	2SC1685(Q,R)	SILICON MATSUSHITA	
Q552	2SD2061(F,G)	SILICON ROHM	
Q553	2SC1685(Q,R)	SILICON MATSUSHITA	
Q554	2SD2061(F,G)	SILICON ROHM	
Q555	2SB1187(F,G)	SILICON ROHM	
Q556	DTC144ES	SILICON ROHM	
Q557	DTA144ES	SILICON ROHM	
Q558	DTA144ES	SILICON ROHM	
Q559	DTC144ES	SILICON ROHM	
Q560	2SC1685(Q,R)	SILICON MATSUSHITA	
Q561	2SD2061(F,G)	SILICON ROHM	
Q562	2SA733A(P,Q)	SILICON NEC	
Q563	2SB1187(F,G)	SILICON ROHM	
Q571	DTC114YS	SILICON ROHM	
Q572	DTC114YS	SILICON ROHM	
Q573	2SB1357(E,F)	SILICON ROHM	

△ : SAFETY PARTS

I.C.s

ITEM	PART NUMBER	DESCRIPTION	AREA
IC201	BU4066B	I.C. ROHM	
IC202	UPC1228HA	I.C. NEC	
IC301	BA15218N	I.C. ROHM	
IC381	HA12136AT	I.C. HITACHI	
IC501	STK4141MK5	I.C. SANYO	

△ : SAFETY PARTS

Diodes

ITEM	PART NUMBER	DESCRIPTION	AREA
D201	1SS119	SILICON HITACHI	
D202	1SS119	SILICON HITACHI	
D203	1SS119	SILICON HITACHI	
D204	1SS119	SILICON HITACHI	
D205	1SS119	SILICON HITACHI	
D206	1SS119	SILICON HITACHI	
D207	MTZ5.6JC	ZENER ROHM	
D208	MTZ5.6JC	ZENER ROHM	
D211	1SS119	SILICON HITACHI	
D212	1SS119	SILICON HITACHI	
D273	1SS119	SILICON HITACHI	
D291	1SS119	SILICON HITACHI	
D335	1SS119	SILICON HITACHI	
D501	1SS119	SILICON HITACHI	
D502	1SS119	SILICON HITACHI	
D537	1SS119	SILICON HITACHI	
D538	MTZ24JC	ZENER ROHM	
D539	ERB12-02RKL1	SILICON KYOUDOU	
D540	ERB12-02RKL1	SILICON KYOUDOU	
D541	ERB12-02RKL1	SILICON KYOUDOU	
D542	ERB12-02RKL1	SILICON KYOUDOU	
D551	MTZ11JC	ZENER ROHM	
D552	MTZ6.8JC	ZENER ROHM	
D553	MTZ5.6JC	ZENER ROHM	
D554	MTZ13JC	ZENER ROHM	
D555	MTZ13JC	ZENER ROHM	
D561	1SS119	SILICON HITACHI	
D572	1SS119	SILICON HITACHI	
D574	MTZ5.1JC	ZENER ROHM	
D575	1SS119	SILICON HITACHI	
D576	MTZ30JC	ZENER ROHM	
D577	1SR139-200	SILICON ROHM	
D578	1SR139-200	SILICON ROHM	
D579	MTZ5.1JC	ZENER ROHM	
D580	1SR139-200	SILICON ROHM	
D581	1SR139-200	SILICON ROHM	
D582	1SR139-200	SILICON ROHM	
D583	1SR139-200	SILICON ROHM	
D584	1SR139-200	SILICON ROHM	
D585	1SR139-200	SILICON ROHM	
D592	1SS119	SILICON HITACHI	

△ : SAFETY PARTS

Capacitors

ITEM	PART NUMBER	DESCRIPTION	AREA
C202	QCHB1EZ-223	0.022MF 25V CERAMIC	L
C203	QCHB1EZ-223	0.022MF 25V CERAMIC	L
C207	QETB1AM-476	47MF 10V ELECTRO	
C208	QETB1AM-476	47MF 10V ELECTRO	
C211	QCBB1HK-471	470PF 50V CERAMIC	
C212	QCBB1HK-471	470PF 50V CERAMIC	
C213	QCXB1CM-122	1200PF 16V CERAMIC	
C214	QCXB1CM-122	1200PF 16V CERAMIC	
C219	QETB1HM-225	2.2MF 50V ELECTRO	
C220	QETB1HM-225	2.2MF 50V ELECTRO	
C221	QETB1HM-225	2.2MF 50V ELECTRO	
C222	QETB1HM-225	2.2MF 50V ELECTRO	
C223	QCBB1HK-101	100PF 50V CERAMIC	
C224	QCBB1HK-101	100PF 50V CERAMIC	
C225	QEK51CM-107	100MF 16V ELECTRO	
C226	QEK51CM-107	100MF 16V ELECTRO	
C227	QFN81HJ-822	8200PF 50V MYLAR	
C228	QFN81HJ-822	8200PF 50V MYLAR	
C231	QETB1CM-477	470MF 16V ELECTRO	
C233	QCS21HJ-101	100PF 50V CERAMIC	
C234	QCS21HJ-101	100PF 50V CERAMIC	
C241	QCHB1EZ-223	0.022MF 25V CERAMIC	B
C241	QCHB1EZ-223	0.022MF 25V CERAMIC	H
C241	QCHB1EZ-223	0.022MF 25V CERAMIC	I
C241	QCHB1EZ-223	0.022MF 25V CERAMIC	J
C241	QCHB1EZ-223	0.022MF 25V CERAMIC	KBS
C242	QCHB1EZ-223	0.022MF 25V CERAMIC	B
C242	QCHB1EZ-223	0.022MF 25V CERAMIC	H
C242	QCHB1EZ-223	0.022MF 25V CERAMIC	I
C242	QCHB1EZ-223	0.022MF 25V CERAMIC	J
C242	QCHB1EZ-223	0.022MF 25V CERAMIC	KBS
C253	QCXB1CM-182	1800PF 16V CERAMIC	
C254	QCXB1CM-182	1800PF 16V CERAMIC	
C281	QEK51HM-105G	1MF 50V ELECTRO	
C282	QFN81HJ-223	0.022MF 50V MYLAR	

△ : SAFETY PARTS

Capacitors

ITEM	PART NUMBER	DESCRIPTION	AREA
C283	QFN81HJ-223	0.022MF 50V MYLAR	
C291	QETB1AM-476	47MF 10V ELECTRO	
C301	QFN81HJ-104	0.1MF 50V MYLAR	
C302	QFN81HJ-104	0.1MF 50V MYLAR	
C305	QETB1HM-225	2.2MF 50V ELECTRO	
C306	QETB1HM-225	2.2MF 50V ELECTRO	
C307	QETB1HM-225	2.2MF 50V ELECTRO	
C308	QETB1HM-225	2.2MF 50V ELECTRO	
C311	QETB1EM-226	22MF 25V ELECTRO	
C312	QETB1EM-226	22MF 25V ELECTRO	
C313	QCSB1HJ-470	47PF 50V CERAMIC	
C314	QCSB1HJ-470	47PF 50V CERAMIC	
C315	QCY21HK-682	6800PF 50V CERAMIC	
C316	QCY21HK-682	6800PF 50V CERAMIC	
C317	QCY21HK-562	5600PF 50V CERAMIC	
C318	QCY21HK-562	5600PF 50V CERAMIC	
C319	QFN81HJ-822	8200PF 50V MYLAR	
C320	QFN81HJ-822	8200PF 50V MYLAR	
C321	QCY21HK-122	1200PF 50V CERAMIC	
C322	QCY21HK-122	1200PF 50V CERAMIC	
C323	QCY21HK-682	6800PF 50V CERAMIC	
C324	QCY21HK-682	6800PF 50V CERAMIC	
C325	QETB1CM-107	100MF 16V ELECTRO	
C326	QETB1CM-107	100MF 16V ELECTRO	
C335	QCS21HJ-101	100PF 50V CERAMIC	
C336	QCS21HJ-101	100PF 50V CERAMIC	
C337	QEK51EM-106	10MF 25V ELECTRO	
C338	QEK51EM-476	47MF 25V ELECTRO	
C339	QEK51HM-105G	1MF 50V ELECTRO	
C340	QETB1HM-105	1MF 50V ELECTRO	
C341	QCB1HK-561	560PF 50V CERAMIC	J
C341	QCB1HK-561	560PF 50V CERAMIC	KBS
C341	QCB1HK-561	560PF 50V CERAMIC	L
C342	QFP81HJ-822	8200PF 50V POLY	
C343	QFN81HJ-123	0.012MF 50V MYLAR	
C344	QFN81HJ-222	2200PF 50V MYLAR	
C345	QFN81HJ-222	2200PF 50V MYLAR	
C346	QFN81HJ-682	6800PF 50V MYLAR	
C347	QCS21HJ-101	100PF 50V CERAMIC	
C348	QCS21HJ-101	100PF 50V CERAMIC	
C351	QETB1HM-106	10MF 50V ELECTRO	
C355	QFN81HJ-473	0.047MF 50V MYLAR	
C356	QFN81HJ-473	0.047MF 50V MYLAR	
C381	QETB1HM-105	1MF 50V ELECTRO	
C382	QETB1HM-105	1MF 50V ELECTRO	
C383	QETB1HM-475	4.7MF 50V ELECTRO	
C384	QETB1HM-475	4.7MF 50V ELECTRO	
C385	QETB1HM-105	1MF 50V ELECTRO	
C386	QETB1HM-105	1MF 50V ELECTRO	
C387	QETB1HM-475	4.7MF 50V ELECTRO	
C388	QETB1HM-475	4.7MF 50V ELECTRO	
C389	QFV81HJ-224	0.22MF 50V T.FILM	
C390	QFV81HJ-224	0.22MF 50V T.FILM	
C391	QETB1HM-475	4.7MF 50V ELECTRO	
C392	QETB1HM-475	4.7MF 50V ELECTRO	
C393	QETB1CM-107	100MF 16V ELECTRO	
C394	QETB1HM-475	4.7MF 50V ELECTRO	
C397	QETB1EM-226	22MF 25V ELECTRO	
C501	EE25009-106	10MF ELECTRO	
C502	EE25009-106	10MF ELECTRO	
C503	QCB1HK-471	470PF 50V CERAMIC	B
C503	QCB1HK-471	470PF 50V CERAMIC	H
C503	QCB1HK-471	470PF 50V CERAMIC	I
C503	QCB1HK-471	470PF 50V CERAMIC	J
C503	QCB1HK-471	470PF 50V CERAMIC	KBS
C504	QCB1HK-471	470PF 50V CERAMIC	B
C504	QCB1HK-471	470PF 50V CERAMIC	H
C504	QCB1HK-471	470PF 50V CERAMIC	I
C504	QCB1HK-471	470PF 50V CERAMIC	J
C504	QCB1HK-471	470PF 50V CERAMIC	KBS
C505	QCB1HK-221	220PF 50V CERAMIC	
C506	QCB1HK-221	220PF 50V CERAMIC	
C507	QETB1EM-107	100MF 25V ELECTRO	
C508	QETB1EM-107	100MF 25V ELECTRO	
C509	QCSB1HJ-100	10PF 50V CERAMIC	
C510	QCSB1HJ-100	10PF 50V CERAMIC	
C511	QETB1HM-226	22MF 50V ELECTRO	
C512	QETB1HM-226	22MF 50V ELECTRO	
C513	QETB1HM-476	47MF 50V ELECTRO	
C514	QETB1HM-106	10MF 50V ELECTRO	
C515	QFN81HJ-104	0.1MF 50V MYLAR	
C516	QFN81HJ-104	0.1MF 50V MYLAR	
C517	QFN81HJ-104	0.1MF 50V MYLAR	
C518	QFN81HJ-104	0.1MF 50V MYLAR	
C536	QETB1CM-476	47MF 16V ELECTRO	
C537	QETB1EM-226	22MF 25V ELECTRO	
C538	EET4202-228E	2200MF ELECTRO	B
C538	EET4202-338E	3300MF ELECTRO	H
C538	EET4202-228E	2200MF ELECTRO	I
C538	EET4202-228E	2200MF ELECTRO	J
C538	EET4202-228E	2200MF ELECTRO	KBS
C538	EET4202-228E	2200MF ELECTRO	L
C539	EET4202-228E	2200MF ELECTRO	B
C539	EET4202-338E	3300MF ELECTRO	H
C539	EET4202-228E	2200MF ELECTRO	I

△ : ISIA/FETY/ PARTS

Capacitors

ITEM	PART NUMBER	DESCRIPTION	AREA
C539	EET4202-228E	2200MF ELECTRO	J
C539	EET4202-228E	2200MF ELECTRO	KBS
C539	EET4202-228E	2200MF ELECTRO	L
C540	QFN82AJ-103	0.01MF 100V MYLAR	B
C540	QFN82AJ-103	0.01MF 100V MYLAR	H
C540	QFN82AJ-103	0.01MF 100V MYLAR	I
C540	QFN82AJ-103	0.01MF 100V MYLAR	J
C540	QFN82AJ-103	0.01MF 100V MYLAR	KBS
C540	QFV82AJ-104	0.1MF 100V T.FILM	L
C541	QFN82AJ-103	0.01MF 100V MYLAR	B
C541	QFN82AJ-103	0.01MF 100V MYLAR	H
C541	QFN82AJ-103	0.01MF 100V MYLAR	I
C541	QFN82AJ-103	0.01MF 100V MYLAR	J
C541	QFN82AJ-103	0.01MF 100V MYLAR	KBS
C541	QFV82AJ-104	0.1MF 100V T.FILM	L
C542	QFN82AJ-103	0.01MF 100V MYLAR	B
C542	QFN82AJ-103	0.01MF 100V MYLAR	H
C542	QFN82AJ-103	0.01MF 100V MYLAR	I
C542	QFN82AJ-103	0.01MF 100V MYLAR	J
C542	QFN82AJ-103	0.01MF 100V MYLAR	KBS
C542	QFV82AJ-104	0.1MF 100V T.FILM	L
C543	QFN81HJ-103	0.01MF 50V MYLAR	L
C544	QFN81HJ-103	0.01MF 50V MYLAR	L
C545	QCVB1CM-222	2200PF 16V CERAMIC	L
C546	QCVB1CM-222	2200PF 16V CERAMIC	L
C547	QCHB1EZ-223	0.022MF 25V CERAMIC	L
C548	QCHB1EZ-223	0.022MF 25V CERAMIC	L
C550	QCVB1CM-103	0.01MF 16V CERAMIC	L
C551	QETB1EM-226	22MF 25V ELECTRO	L
C552	QETB1CM-476	47MF 16V ELECTRO	L
C553	QCVB1CM-103	0.01MF 16V CERAMIC	L
C554	QETB1AM-476	47MF 10V ELECTRO	L
C555	QETB1AM-476	47MF 10V ELECTRO	L
C556	QCVB1CM-103	0.01MF 16V CERAMIC	L
C557	QETB1EM-226	22MF 25V ELECTRO	L
C558	QCVB1CM-103	0.01MF 16V CERAMIC	L
C559	QETB1CM-476	47MF 16V ELECTRO	L
C560	QETB1HM-106	10MF 50V ELECTRO	L
C561	QETB1HM-106	10MF 50V ELECTRO	L
C562	QCVB1CM-103	0.01MF 16V CERAMIC	L
C563	QETB1HM-106	10MF 50V ELECTRO	L
C564	QETB1EM-226	22MF 25V ELECTRO	L
C565	QCVB1CM-103	0.01MF 16V CERAMIC	L
C566	QETB1EM-226	22MF 25V ELECTRO	L
C571	QETB1HM-225	2.2MF 50V ELECTRO	L
C572	QETB1HM-106	10MF 50V ELECTRO	L
C573	QCVB1HK-102	1000PF 50V CERAMIC	L
C574	QETB1HM-226	22MF 50V ELECTRO	L
C575	QETB1HM-226	22MF 50V ELECTRO	L
C576	QETB1JM-476	47MF 63V ELECTRO	L
C577	QETB1JM-107	100MF 63V ELECTRO	L
C578	QETB1HM-475	4.7MF 50V ELECTRO	L
C579	QFN82AJ-103	0.01MF 100V MYLAR	L
C580	QFN82AJ-103	0.01MF 100V MYLAR	L
C581	QFN82AJ-103	0.01MF 100V MYLAR	L
C582	EET3501-228T	2200MF ELECTRO	L
C583	EET3501-228T	2200MF ELECTRO	L
C591	QETB1HM-106	10MF 50V ELECTRO	L

△ : ISIA/FETY/ PARTS

Resistors

ITEM	PART NUMBER	DESCRIPTION	AREA
R201	QRD167J-224	220K 1/6W CARBON	
R202	QRD167J-224	220K 1/6W CARBON	
R203	QRD167J-512	5.1K 1/6W CARBON	
R204	QRD167J-512	5.1K 1/6W CARBON	
R205	QRD167J-471	470 1/6W CARBON	
R206	QRD167J-471	470 1/6W CARBON	
R207	QRD167J-100	10 1/6W CARBON	
R208	QRD167J-100	10 1/6W CARBON	
R209	QRD167J-105	1M 1/6W CARBON	
R210	QRD167J-105	1M 1/6W CARBON	
R211	QRD167J-512	5.1K 1/6W CARBON	
R212	QRD167J-512	5.1K 1/6W CARBON	
R213	QRD167J-475	4.7M 1/6W CARBON	
R214	QRD167J-475	4.7M 1/6W CARBON	
R225	QRD167J-470	47 1/6W CARBON	
R226	QRD167J-470	47 1/6W CARBON	
R227	QRD167J-334	330K 1/6W CARBON	
R228	QRD167J-334	330K 1/6W CARBON	
R229	QRD167J-432	4.3K 1/6W CARBON	
R230	QRD167J-432	4.3K 1/6W CARBON	
R231	QRD167J-272	2.7K 1/6W CARBON	
R232	QRD167J-272	2.7K 1/6W CARBON	
R233	QRD167J-272	2.7K 1/6W CARBON	
R234	QRD167J-272	2.7K 1/6W CARBON	
R235	QRD167J-223	22K 1/6W CARBON	
R236	QRD167J-223	22K 1/6W CARBON	
R237	QRD167J-752	7.5K 1/6W CARBON	
R238	QRD167J-752	7.5K 1/6W CARBON	
R239	QRD167J-105	1M 1/6W CARBON	
R240	QRD167J-105	1M 1/6W CARBON	

△ : ISIA/FETY/ PARTS

Resistors

Δ	ITEM	PART NUMBER	DESCRIPTION	AREA
	R241	QRD167J-105	1M 1/6W CARBON	
	R242	QRD167J-105	1M 1/6W CARBON	
	R243	QRD167J-471	470 1/6W CARBON	
	R244	QRD167J-472	4.7K 1/6W CARBON	
	R245	QRD167J-472	4.7K 1/6W CARBON	
	R271	QRD167J-103	10K 1/6W CARBON	
	R272	QRD167J-472	4.7K 1/6W CARBON	
	R273	QRD167J-472	4.7K 1/6W CARBON	
	R277	QRD167J-103	10K 1/6W CARBON	
	R278	QRD167J-103	10K 1/6W CARBON	
	R281	QRD167J-104	100K 1/6W CARBON	
	R282	QRD167J-105	1M 1/6W CARBON	
	R283	QRD167J-103	10K 1/6W CARBON	
	R284	QRD167J-105	1M 1/6W CARBON	
	R285	QRD167J-683	68K 1/6W CARBON	
	R286	QRD167J-104	100K 1/6W CARBON	
	R287	QRD167J-104	100K 1/6W CARBON	
	R291	QRD167J-104	100K 1/6W CARBON	
	R292	QRD167J-274	270K 1/6W CARBON	
	R293	QRD167J-562	5.6K 1/6W CARBON	
	R301	QRD167J-223	22K 1/6W CARBON	
	R302	QRD167J-223	22K 1/6W CARBON	
	R305	QRD167J-683	68K 1/6W CARBON	
	R306	QRD167J-683	68K 1/6W CARBON	
	R307	QRD167J-153	15K 1/6W CARBON	
	R308	QRD167J-153	15K 1/6W CARBON	
	R309	QRD167J-223	22K 1/6W CARBON	
	R310	QRD167J-223	22K 1/6W CARBON	
	R313	QRD167J-242	2.4K 1/6W CARBON	
	R314	QRD167J-242	2.4K 1/6W CARBON	
	R315	QRD167J-101	100 1/6W CARBON	
	R316	QRD167J-101	100 1/6W CARBON	
	R317	QRD167J-391	390 1/6W CARBON	
	R318	QRD167J-391	390 1/6W CARBON	
	R319	QRD167J-152	1.5K 1/6W CARBON	
	R320	QRD167J-152	1.5K 1/6W CARBON	
	R321	QRD167J-432	4.3K 1/6W CARBON	
	R322	QRD167J-432	4.3K 1/6W CARBON	
	R323	QRD167J-152	1.5K 1/6W CARBON	
	R324	QRD167J-152	1.5K 1/6W CARBON	
	R325	QRD167J-104	100K 1/6W CARBON	
	R326	QRD167J-104	100K 1/6W CARBON	
	R327	QRD167J-152	1.5K 1/6W CARBON	
	R328	QRD167J-152	1.5K 1/6W CARBON	
	R329	QRD167J-392	3.9K 1/6W CARBON	
	R330	QRD167J-392	3.9K 1/6W CARBON	
	R331	QRD167J-221	220 1/6W CARBON	
	R332	QRD167J-221	220 1/6W CARBON	
	R337	QRD167J-473	47K 1/6W CARBON	
	R338	QRD167J-473	47K 1/6W CARBON	
Δ	R339	QRD14CJ-5R6S	5.6 1/4W UNF. CARBON	
	R340	QRD167J-472	4.7K 1/6W CARBON	
	R341	QRD167J-104	100K 1/6W CARBON	
	R342	QRD167J-332	3.3K 1/6W CARBON	
	R343	QRD167J-181	180 1/6W CARBON	
	R344	QRD167J-201	200 1/6W CARBON	
Δ	R345	QRZ0077-100	10 1/4W FUSIBLE	B
Δ	R345	QRD14CJ-100S	10 1/4W UNF. CARBON	H
Δ	R345	QRZ0077-100	10 1/4W FUSIBLE	I
Δ	R345	QRZ0077-100	10 1/4W FUSIBLE	J
Δ	R345	QRZ0077-100	10 1/4W FUSIBLE	KBS
Δ	R345	QRZ0077-100	10 1/4W FUSIBLE	L
	R346	QRD167J-103	10K 1/6W CARBON	
	R350	QRD167J-105	1M 1/6W CARBON	
	R351	QRD167J-243	24K 1/6W CARBON	
	R352	QRD167J-243	24K 1/6W CARBON	
	R353	QRD167J-302	3K 1/6W CARBON	
	R354	QRD167J-302	3K 1/6W CARBON	
	R355	QRD167J-561	560 1/6W CARBON	
	R356	QRD167J-561	560 1/6W CARBON	
	R357	QRD167J-223	22K 1/6W CARBON	
	R358	QRD167J-223	22K 1/6W CARBON	
	R359	QRD167J-332	3.3K 1/6W CARBON	
	R360	QRD167J-332	3.3K 1/6W CARBON	
	R361	QRD167J-473	47K 1/6W CARBON	
	R362	QRD167J-473	47K 1/6W CARBON	
	R363	QRD167J-223	22K 1/6W CARBON	
	R364	QRD167J-223	22K 1/6W CARBON	
	R365	QRD167J-472	4.7K 1/6W CARBON	
	R366	QRD167J-472	4.7K 1/6W CARBON	
	R371	QRD167J-103	10K 1/6W CARBON	
	R372	QRD167J-103	10K 1/6W CARBON	
	R373	QRD167J-684	680K 1/6W CARBON	
	R374	QRD167J-684	680K 1/6W CARBON	
	R381	QRD167J-153	15K 1/6W CARBON	
	R382	QRD167J-153	15K 1/6W CARBON	
	R383	QRD167J-822	8.2K 1/6W CARBON	
	R384	QRD167J-822	8.2K 1/6W CARBON	
Δ	R385	QRZ0077-220	22 1/4W FUSIBLE	B
Δ	R385	QRD14CJ-220S	22 1/4W UNF. CARBON	H
Δ	R385	QRZ0077-220	22 1/4W FUSIBLE	I
Δ	R385	QRZ0077-220	22 1/4W FUSIBLE	J
Δ	R385	QRZ0077-220	22 1/4W FUSIBLE	KBS
Δ	R385	QRZ0077-220	22 1/4W FUSIBLE	L
	R386	QRD167J-183	18K 1/6W CARBON	

Δ (SAFETY PARTS)

Resistors

Δ	ITEM	PART NUMBER	DESCRIPTION	AREA
	R387	QRD167J-103	10K 1/6W CARBON	
	R388	QRD167J-103	10K 1/6W CARBON	
	R389	QRD167J-562	5.6K 1/6W CARBON	
	R390	QRD167J-562	5.6K 1/6W CARBON	
	R391	QRD167J-822	8.2K 1/6W CARBON	
	R392	QRD167J-822	8.2K 1/6W CARBON	
	R393	QRD167J-272	2.7K 1/6W CARBON	
	R394	QRD167J-272	2.7K 1/6W CARBON	
	R395	QRD167J-103	10K 1/6W CARBON	
	R396	QRD167J-103	10K 1/6W CARBON	
	R397	QRD167J-102	1K 1/6W CARBON	
	R501	QRD167J-102	1K 1/6W CARBON	
	R502	QRD167J-102	1K 1/6W CARBON	
	R503	QRD167J-104	100K 1/6W CARBON	
	R504	QRD167J-104	100K 1/6W CARBON	
	R505	ERD141J-681S	680 1/4W CARBON	
	R506	ERD141J-681S	680 1/4W CARBON	
	R507	QRD167J-471	470 1/6W CARBON	
	R508	QRD167J-471	470 1/6W CARBON	
	R509	QRD167J-104	100K 1/6W CARBON	
	R510	QRD167J-104	100K 1/6W CARBON	
	R511	QRD167J-242	2.4K 1/6W CARBON	
	R512	QRD167J-242	2.4K 1/6W CARBON	
	R513	QRD167J-242	2.4K 1/6W CARBON	
	R514	QRD167J-242	2.4K 1/6W CARBON	
Δ	R515	QRX012J-R22AM	0.22 1W M.FILM	
Δ	R516	QRX012J-R22AM	0.22 1W M.FILM	
Δ	R517	QRZ0077-101	100 1/4W FUSIBLE	B
Δ	R517	QRD14CJ-101S	100 1/4W UNF. CARBON	H
Δ	R517	QRZ0077-101	100 1/4W FUSIBLE	I
Δ	R517	QRZ0077-101	100 1/4W FUSIBLE	J
Δ	R517	QRZ0077-101	100 1/4W FUSIBLE	KBS
Δ	R517	QRZ0077-101	100 1/4W FUSIBLE	L
Δ	R518	QRZ0077-100	10 1/4W FUSIBLE	B
Δ	R518	QRD14CJ-100S	10 1/4W UNF. CARBON	H
Δ	R518	QRZ0077-100	10 1/4W FUSIBLE	I
Δ	R518	QRZ0077-100	10 1/4W FUSIBLE	J
Δ	R518	QRZ0077-100	10 1/4W FUSIBLE	KBS
Δ	R518	QRZ0077-100	10 1/4W FUSIBLE	L
Δ	R519	QRD14CJ-100S	10 1/4W UNF. CARBON	
Δ	R520	QRD14CJ-100S	10 1/4W UNF. CARBON	
Δ	R521	QRD14CJ-100S	10 1/4W UNF. CARBON	
Δ	R522	QRD14CJ-100S	10 1/4W UNF. CARBON	
	R527	QRD167J-104	100K 1/6W CARBON	
	R528	QRD167J-104	100K 1/6W CARBON	
	R529	QRD167J-103	10K 1/6W CARBON	
	R530	QRD167J-154	150K 1/6W CARBON	
	R531	QRD167J-473	47K 1/6W CARBON	
Δ	R532	QRZ0077-100	10 1/4W FUSIBLE	
Δ	R533	QRD14CJ-222S	2.2K 1/4W UNF. CARBON	
Δ	R534	QRD14CJ-222S	2.2K 1/4W UNF. CARBON	
	R536	QRD167J-472	4.7K 1/6W CARBON	
	R537	QRD167J-104	100K 1/6W CARBON	
	R538	QRD167J-104	100K 1/6W CARBON	
	R539	QRD167J-103	10K 1/6W CARBON	
	R540	QRD167J-104	100K 1/6W CARBON	
	R541	QRD167J-103	10K 1/6W CARBON	
	R542	QRD167J-222	2.2K 1/6W CARBON	
	R543	QRD167J-823	82K 1/6W CARBON	
	R544	QRD167J-104	100K 1/6W CARBON	
Δ	R545	QRG022J-391AM	390 2W O.M. FILM	
	R546	QRD167J-152	1.5K 1/6W CARBON	
Δ	R547	QRD14CJ-100S	10 1/4W UNF. CARBON	L
Δ	R548	QRD14CJ-100S	10 1/4W UNF. CARBON	L
	R551	QRD167J-332	3.3K 1/6W CARBON	
	R552	QRD167J-392	3.9K 1/6W CARBON	
	R553	QRD167J-472	4.7K 1/6W CARBON	
	R554	QRD167J-472	4.7K 1/6W CARBON	
	R555	QRD167J-472	4.7K 1/6W CARBON	
	R556	QRD167J-153	15K 1/6W CARBON	
	R557	QRD167J-103	10K 1/6W CARBON	
	R558	QRD167J-332	3.3K 1/6W CARBON	
	R559	QRD167J-222	2.2K 1/6W CARBON	
Δ	R561	QRZ0077-8R2	8.2 1/4W FUSIBLE	B
Δ	R561	QRD14CJ-8R2S	8.2 1/4W UNF. CARBON	H
Δ	R561	QRZ0077-8R2	8.2 1/4W FUSIBLE	I
Δ	R561	QRZ0077-8R2	8.2 1/4W FUSIBLE	J
Δ	R561	QRZ0077-8R2	8.2 1/4W FUSIBLE	KBS
Δ	R561	QRZ0077-8R2	8.2 1/4W FUSIBLE	L
Δ	R562	QRZ0077-8R2	8.2 1/4W FUSIBLE	B
Δ	R562	QRD14CJ-8R2S	8.2 1/4W UNF. CARBON	H
Δ	R562	QRZ0077-8R2	8.2 1/4W FUSIBLE	I
Δ	R562	QRZ0077-8R2	8.2 1/4W FUSIBLE	J
Δ	R562	QRZ0077-8R2	8.2 1/4W FUSIBLE	KBS
Δ	R562	QRZ0077-8R2	8.2 1/4W FUSIBLE	L
	R572	QRD167J-103	10K 1/6W CARBON	
	R573	QRD167J-102	1K 1/6W CARBON	
	R574	QRD167J-103	10K 1/6W CARBON	
	R575	QRD167J-103	10K 1/6W CARBON	
	R576	QRD167J-562	5.6K 1/6W CARBON	
Δ	R577	PTH61625AR4R7M	FUSIBLE RESISTOR	
Δ	R581	QRX022J-2R2AM	2.2 2W M.FILM	
Δ	R582	QRX022J-2R2AM	2.2 2W M.FILM	
Δ	R591	QRD14CJ-222S	2.2K 1/4W UNF. CARBON	
Δ	R592	QRZ0077-100	10 1/4W FUSIBLE	

Δ (SAFETY PARTS)



## Resistors

△	ITEM	PART NUMBER	DESCRIPTION	AREA
△	R598	QRZ0077-100	10 1/4W FUSIBLE	B
△	R598	QRD14CJ-100S	10 1/4W UNF. CARBON	H
△	R598	QRZ0077-100	10 1/4W FUSIBLE	I
△	R598	QRZ0077-100	10 1/4W FUSIBLE	J
△	R598	QRZ0077-100	10 1/4W FUSIBLE	KBS
△	R598	QRZ0077-100	10 1/4W FUSIBLE	L
△	R599	QRC128K-275EM	2.7M 1/2W COMPOSI	H
	VR203	QVPA601-104A	100K VARIABLE	
	VR204	QVPA601-104A	100K VARIABLE	
	VR205	QVPA601-104A	100K VARIABLE	
	VR206	QVPA601-104A	100K VARIABLE	
	VR221	QVPA601-201A	200 VARIABLE	
	VR222	QVPA601-201A	200 VARIABLE	
	VR223	QVPA601-201A	200 VARIABLE	
	VR224	QVPA601-201A	200 VARIABLE	
	VR335	QVPA601-204A	200K VARIABLE	
	VR336	QVPA601-204A	200K VARIABLE	
	VR367	QVPA601-503A	50K VARIABLE	
	VR368	QVPA601-503A	50K VARIABLE	

△ SAFETY PARTS

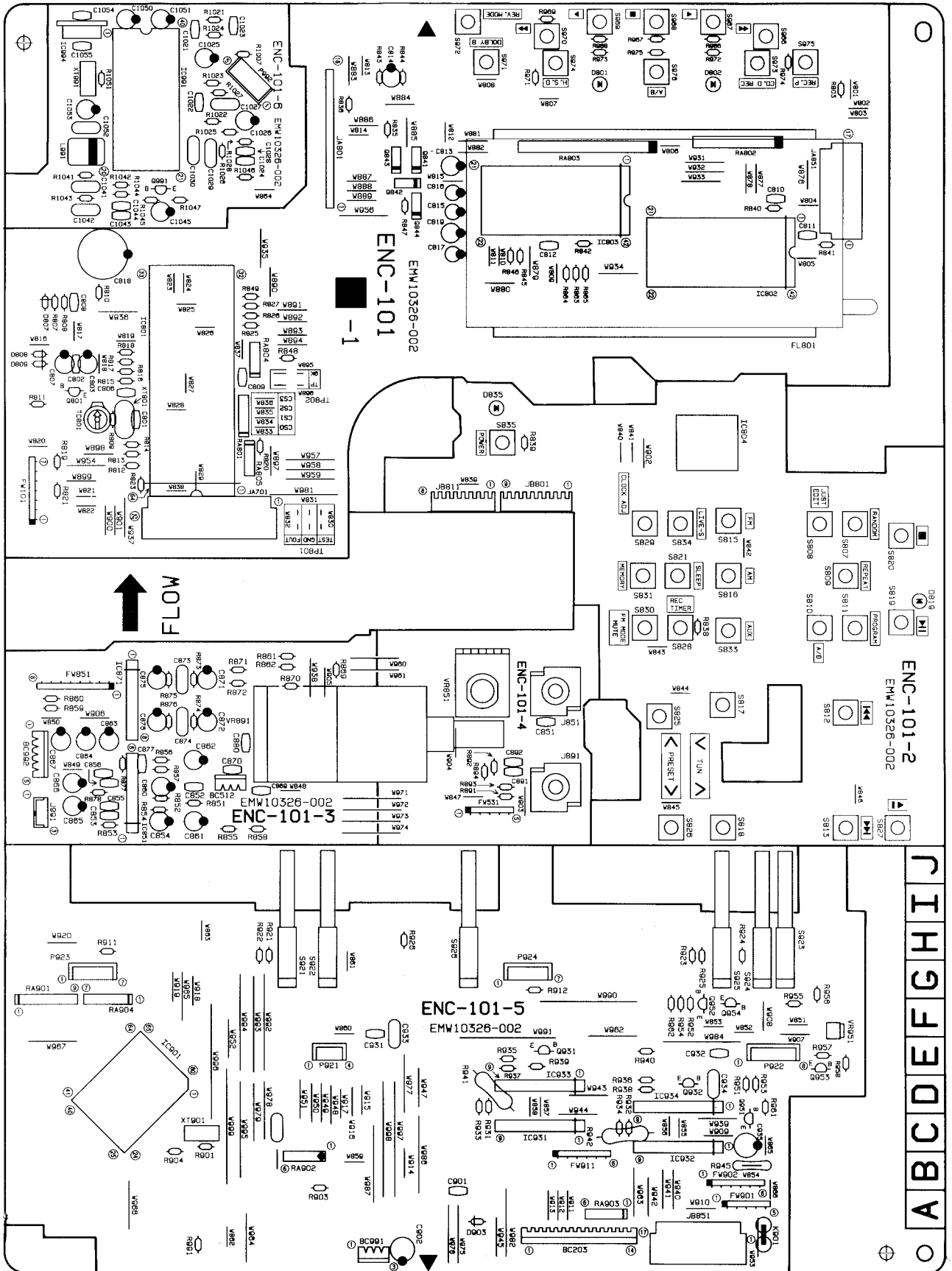
## Others

△	ITEM	PART NUMBER	DESCRIPTION	AREA
		E67132-T2R0	FUSE LABEL	B
	J204	EMV7125-006R	CONNECTOR(6PIN) BATTERY	
	J511	EMV7125-008R	CONNECTOR(8PIN) AMPLIFIER	
	J512	EMV5109-003B	PLUG ASSY(3PIN) SIGNAL PATH	
	J521	EMV7125-011R	CONNECTOR(11PIN) REGULATOR	
	J531	EMV7122-005	CONNECTOR(5PIN) TO HEADPHONE	
	J541	EMB90TV-402A	SPEAKER TERMINAL	
	J901	EMV7122-005	CONNECTOR(5PIN) FL-30V	
	L221	EQL2106-223	INDUCTOR	
	L222	EQL2106-223	INDUCTOR	
	L223	EQL4004-101	INDUCTOR	L
	L224	EQL4004-101	INDUCTOR	L
	L301	EQL2126-562	INDUCTOR	
	L302	EQL2126-562	INDUCTOR	
	L335	ENZ6002-010	OSCILLATOR COIL	
	L347	EQL2106-223	INDUCTOR	
	L348	EQL2106-223	INDUCTOR	
	L501	EQL0001-R45	INDUCTOR	
	L502	EQL0001-R45	INDUCTOR	
	P201	TTL25V-003	CONNECTOR(3PIN) A HEAD WIRE	
	P202	TTL25V-007	CONNECTOR(7PIN) B HEAD WIRE	
	P203	EMV5109-014A	PLUG ASSY(14PIN) DECK CONTROL	
	P204	EMV5125-006	PLUG ASSY(6PIN) ENJ-072-1	
	P511	EMV5125-008	PLUG ASSY(8PIN) TO AMPLIFIER	
	P521	EMV5125-011	PLUG ASSY(11PIN) TO REGULATOR	
△	S001	QSR0085-018	VOLTAGE SELECTOR	B
	S335	QSS7A12-E01	SLIDE SWITCH(BEET CUT)	J
	S335	QSS7A12-E01	SLIDE SWITCH(BEET CUT)	KBS
	S335	QSS7A12-E01	SLIDE SWITCH(BEET CUT)	L
	EP201	E70225-002	EARTH PLATE	
	FT001	VMZ0087-001	FUSE CLIP	
	FT002	VMZ0087-001	FUSE CLIP	
	FT003	VMZ0087-001	FUSE CLIP	
	FT004	VMZ0087-001	FUSE CLIP	
	FT005	VMZ0087-001	FUSE CLIP	
	FT006	VMZ0087-001	FUSE CLIP	
	FT007	VMZ0087-001	FUSE CLIP	B
	FT008	VMZ0087-001	FUSE CLIP	B
	FW205	EWR35B-13LST	FLAT WIRE(5PIN) PLAY/RECPATH	
	FW501	EWR39E-13LST	FLAT WIRE(9PIN) TRANS. SECONDARY	
	FW601	EWR36E-30LST	FLAT WIRE(6PIN) TO CD PCB	
	JT501	EMV7122-005	CONNECTOR(5PIN) TO SECONDARY	
	JT502	EMV7122-004	CONNECTOR(4PIN) TO SECONDARY	
	JT902	EMV7122-103	CONNECTOR(3PIN) PATH OF J902	
	JT903	EMV7122-103	CONNECTOR(3PIN) PATH OF J902	
	RY501	ESK8D24-212	RELAY	
	TB001	EMZ4001-001	TAB	
	TB002	EMZ4001-001	TAB	
	TWS99	EWT011-075	TERMINAL WIRE	H

△ SAFETY PARTS

■ ENC-101 □ Front & Deck Controller PC Board Ass'y

Note : ENC-101 □ varies according to the areas employed. See note (1) when placing an order.



Note (1)

PC Board Ass'y	Designated Areas
ENC101 <b>A</b>	Scandinavia Continental Europe
ENC-101 <b>B</b>	the U.K.
ENC-101 <b>C</b>	the U.S.A., Canada
ENC-101 <b>D</b>	Taiwan, Universal Type
ENC-101 <b>E</b>	East Europe
ENC-101 <b>F</b>	Australia
ENC-101 <b>G</b>	Italy
ENC-101 <b>H</b>	Germany

Transistors

ITEM	PART NUMBER	DESCRIPTION	AREA
Q801	DTC114YS	SILICON ROHM	
Q841	DTC144EFF	SILICON ROHM	
Q842	DTC144EFF	SILICON ROHM	
Q843	DTC144EFF	SILICON ROHM	
Q844	DTA114YFF	SILICON ROHM	
Q931	DTC144ES	SILICON ROHM	
Q932	DTC144ES	SILICON ROHM	
Q951	2SC1685(R,S)	SILICON MATSUSHITA	
Q952	2SC1685(R,S)	SILICON MATSUSHITA	
Q953	2SA933S(R,S)	SILICON ROHM	
Q954	2SA933S(R,S)	SILICON ROHM	
Q991	2SC1740S(R,S)	SILICON ROHM	D

△ SAFETY PARTS

I.C.s

ITEM	PART NUMBER	DESCRIPTION	AREA
IC801	HD404019RC18S	I.C.	
IC802	MSC7112-01SS	I.C. NIHON DENSO	
IC803	XR1095CP	I.C. EXAR JAPAN	
IC804	SPS-420-1	I.C. SANYO	
IC851	BA15218N	I.C. ROHM	D
IC871	BA15218N	I.C. ROHM	
IC901	HD404719A30FS	I.C. HITACHI	
IC931	TAB409S	I.C. TOSHIBA	
IC932	TAB409S	I.C. TOSHIBA	
IC933	TAB409S	I.C. TOSHIBA	
IC934	TAB409S	I.C. TOSHIBA	
IC991	M50197P	I.C. MITSUBISHI	D
IC994	NJM78M05FD	I.C. DAINICHI	D

△ SAFETY PARTS

Diodes

ITEM	PART NUMBER	DESCRIPTION	AREA
D801	SLR-342DCA47	L.E.D. 0050	
D802	SLR-342DCA47	L.E.D. 0050	
D807	1SS119	SILICON HITACHI	
D808	1SS119	SILICON HITACHI	
D809	1SS119	SILICON HITACHI	
D819	SLR-342MCA47	L.E.D. ROHM	
D835	SLR-342VC3F	L.E.D. ROHM	A
D835	SLA-380LT	L.E.D. ROHM	B
D835	SLR-342VC3F	L.E.D. ROHM	C
D835	SLR-342VC3F	L.E.D. ROHM	D
D835	SLR-342VC3F	L.E.D. ROHM	E
D835	SLR-342VC3F	L.E.D. ROHM	F
D835	SLR-342VC3F	L.E.D. ROHM	G
D835	SLR-342VC3F	L.E.D. ROHM	H
D903	1SS119	SILICON HITACHI	

△ SAFETY PARTS

Capacitors

ITEM	PART NUMBER	DESCRIPTION	AREA
C801	QCT30CH-120	12PF 50V CERAMIC	
C802	QCVB1CM-103	0.01MF 16V CERAMIC	
C803	QEK51CM-107	100MF 16V ELECTRO	
C806	QCVB1CM-103	0.01MF 16V CERAMIC	
C807	QEK51EM-475G	4.7MF 25V ELECTRO	
C808	QCVB1CM-103	0.01MF 16V CERAMIC	
C809	QCVB1CM-103	0.01MF 16V CERAMIC	
C810	QCBB1HK-151	150PF 50V CERAMIC	
C811	QCBB1HK-471	470PF 50V CERAMIC	
C812	QCVB1CM-152	1500PF 16V CERAMIC	

△ SAFETY PARTS

Capacitors

ITEM	PART NUMBER	DESCRIPTION	AREA
C813	QEK51HM-225G	2.2MF 50V ELECTRO	
C814	QEK51HM-225G	2.2MF 50V ELECTRO	
C815	QEK51CM-106G	10MF 16V ELECTRO	
C816	QEK51CM-106G	10MF 16V ELECTRO	
C817	QER50JM-107	100MF 6.3V ELECTRO	
C818	QEA40HZ-10AB	ELECTRO	
C819	QEK51HM-226	22MF 50V ELECTRO	
C820	QETB1HM-226	22MF 50V ELECTRO	
C851	QCGB1HK-102	1000PF 50V CERAMIC	D
C852	QCGB1HK-102	1000PF 50V CERAMIC	D
C853	QCBB1HK-101	100PF 50V CERAMIC	D
C854	QETB1HM-106	10MF 50V ELECTRO	D
C855	QCBB1HK-101	100PF 50V CERAMIC	D
C856	QCBB1HK-101	100PF 50V CERAMIC	D
C860	QETB1HM-106	10MF 50V ELECTRO	D
C861	QETB1HM-106	10MF 50V ELECTRO	D
C862	QETB1HM-106	10MF 50V ELECTRO	D
C863	QETB1HM-106	10MF 50V ELECTRO	D
C864	QETB1HM-106	10MF 50V ELECTRO	D
C865	QETB1HM-106	10MF 50V ELECTRO	D
C866	QETB1HM-106	10MF 50V ELECTRO	D
C867	QETB1HM-106	10MF 50V ELECTRO	D
C869	QCBB1HK-471	470PF 50V CERAMIC	G
C869	QCBB1HK-471	470PF 50V CERAMIC	H
C870	QCBB1HK-471	470PF 50V CERAMIC	G
C870	QCBB1HK-471	470PF 50V CERAMIC	H
C871	QETB1AM-476	47MF 10V ELECTRO	
C872	QETB1AM-476	47MF 10V ELECTRO	
C873	QFN81HJ-224	0.22MF 50V MYLAR	
C874	QFN81HJ-224	0.22MF 50V MYLAR	
C875	QEK51HM-474G	0.47MF 50V ELECTRO	
C876	QEK51HM-474G	0.47MF 50V ELECTRO	
C877	QCVB1CM-103	0.01MF 16V CERAMIC	D
C880	QCVB1CM-103	0.01MF 16V CERAMIC	
C891	QCBB1HK-471	470PF 50V CERAMIC	G
C891	QCBB1HK-471	470PF 50V CERAMIC	H
C892	QCBB1HK-471	470PF 50V CERAMIC	G
C892	QCBB1HK-471	470PF 50V CERAMIC	H
C901	QCVB1CM-103	0.01MF 16V CERAMIC	
C902	QETB1AM-107	100MF 10V ELECTRO	
C931	QCHB1EZ-223	0.022MF 25V CERAMIC	
C932	QCHB1EZ-223	0.022MF 25V CERAMIC	
C933	QFV81HJ-104	0.1MF 50V T.FILM	
C934	QFV81HJ-104	0.1MF 50V T.FILM	
C935	QETB1CM-107	100MF 16V ELECTRO	
C1021	QCGB1HK-102	1000PF 50V CERAMIC	D
C1022	QCGB1HK-102	1000PF 50V CERAMIC	D
C1023	QCVB1CM-103	0.01MF 16V CERAMIC	D
C1024	QCVB1CM-103	0.01MF 16V CERAMIC	D
C1025	QETB1HM-105	1MF 50V ELECTRO	D
C1026	QETB1HM-105	1MF 50V ELECTRO	D
C1027	QFN81HJ-223	0.022MF 50V MYLAR	D
C1028	QCVB1CM-103	0.01MF 16V CERAMIC	D
C1029	QFN81HJ-473	0.047MF 50V MYLAR	D
C1030	QFN81HJ-473	0.047MF 50V MYLAR	D
C1041	QFV81HJ-334	0.33MF 50V T.FILM	D
C1042	QFV81HJ-334	0.33MF 50V T.FILM	D
C1043	QCVB1CM-103	0.01MF 16V CERAMIC	D
C1044	QCVB1CM-103	0.01MF 16V CERAMIC	D
C1045	QETB1HM-475	4.7MF 50V ELECTRO	D
C1050	QETB1AM-107	100MF 10V ELECTRO	D
C1051	QETB1AM-476	47MF 10V ELECTRO	D
C1052	QCZ0202-155	1.5MF 25V CERAMIC	D
C1053	QETB1AM-107	100MF 10V ELECTRO	D
C1054	QCVB1CM-103	0.01MF 16V CERAMIC	D
C1055	QCVB1CM-103	0.01MF 16V CERAMIC	D

△ SAFETY PARTS

Resistors

ITEM	PART NUMBER	DESCRIPTION	AREA
R803	QRD167J-331	330 1/6W CARBON	
R807	QRD167J-104	100K 1/6W CARBON	
R808	QRD167J-223	22K 1/6W CARBON	
R809	QRD167J-473	47K 1/6W CARBON	
R810	QRD167J-470	47 1/6W CARBON	
R811	QRD167J-102	1K 1/6W CARBON	
R814	QRD167J-103	10K 1/6W CARBON	
R815	QRD167J-103	10K 1/6W CARBON	
R816	QRD167J-103	10K 1/6W CARBON	
R817	QRD167J-103	10K 1/6W CARBON	
R818	QRD167J-103	10K 1/6W CARBON	
R819	QRD167J-222	2.2K 1/6W CARBON	
R820	QRD167J-222	2.2K 1/6W CARBON	
R821	QRD167J-222	2.2K 1/6W CARBON	
R823	QRD167J-103	10K 1/6W CARBON	
R835	QRD167J-151	150 1/6W CARBON	A
R835	QRD167J-471	470 1/6W CARBON	B
R835	QRD167J-151	150 1/6W CARBON	C
R835	QRD167J-151	150 1/6W CARBON	D
R835	QRD167J-151	150 1/6W CARBON	E

△ SAFETY PARTS

## Resistors

ITEM	PART NUMBER	DESCRIPTION	AREA
R835	QRD167J-151	150 1/6W CARBON	F
R835	QRD167J-151	150 1/6W CARBON	G
R835	QRD167J-151	150 1/6W CARBON	H
R836	QRD161J-221	220 1/6W CARBON	
R838	QRD167J-681	680 1/6W CARBON	
R839	QRD167J-431	430 1/6W CARBON	
R840	QRD167J-563	56K 1/6W CARBON	
R841	QRD167J-222	2.2K 1/6W CARBON	
R842	QRD167J-102	1K 1/6W CARBON	
R843	QRD167J-105	1M 1/6W CARBON	
R844	QRD167J-105	1M 1/6W CARBON	
R845	QRD167J-683	68K 1/6W CARBON	
R846	QRD167J-222	2.2K 1/6W CARBON	
R847	QRD167J-472	4.7K 1/6W CARBON	
R848	QRD167J-103	10K 1/6W CARBON	
R849	QRD167J-222	2.2K 1/6W CARBON	
R851	QRD167J-102	1K 1/6W CARBON	D
R852	QRD167J-103	10K 1/6W CARBON	D
R853	QRD167J-104	100K 1/6W CARBON	D
R854	QRD167J-911	910 1/6W CARBON	D
R855	QRD167J-472	4.7K 1/6W CARBON	D
R856	QRD167J-471	470 1/6W CARBON	D
R857	QRD167J-104	100K 1/6W CARBON	D
R858	QRD167J-472	4.7K 1/6W CARBON	D
R859	QRD167J-332	3.3K 1/6W CARBON	D
R860	QRD167J-332	3.3K 1/6W CARBON	D
R861	QRD167J-103	10K 1/6W CARBON	
R862	QRD167J-103	10K 1/6W CARBON	
R863	QRD167J-102	1K 1/6W CARBON	
R864	QRD167J-102	1K 1/6W CARBON	
R865	QRD167J-102	1K 1/6W CARBON	
R869	QRD167J-203	20K 1/6W CARBON	
R870	QRD167J-203	20K 1/6W CARBON	
R871	QRD167J-682	6.8K 1/6W CARBON	
R872	QRD167J-682	6.8K 1/6W CARBON	
R873	QRD167J-684	680K 1/6W CARBON	
R874	QRD167J-684	680K 1/6W CARBON	
R875	QRD167J-151	150 1/6W CARBON	
R876	QRD167J-151	150 1/6W CARBON	
R877	QRD167J-104	100K 1/6W CARBON	D
R878	QRD167J-104	100K 1/6W CARBON	D
R891	QRD167J-681	680 1/6W CARBON	
R892	QRD167J-681	680 1/6W CARBON	
R893	QRD167J-681	680 1/6W CARBON	
R894	QRD167J-681	680 1/6W CARBON	
R901	QRD167J-105	1M 1/6W CARBON	
R903	QRD167J-103	10K 1/6W CARBON	
R904	QRD167J-471	470 1/6W CARBON	
R921	QRD167J-103	10K 1/6W CARBON	
R922	QRD167J-332	3.3K 1/6W CARBON	
R923	QRD167J-242	2.4K 1/6W CARBON	
R924	QRD167J-562	5.6K 1/6W CARBON	
R925	QRD167J-153	15K 1/6W CARBON	
R926	QRD167J-392	3.9K 1/6W CARBON	
R931	QRD167J-153	15K 1/6W CARBON	
R932	QRD167J-153	15K 1/6W CARBON	
R933	QRD167J-133	13K 1/6W CARBON	
R934	QRD167J-133	13K 1/6W CARBON	
R935	QRD167J-563	56K 1/6W CARBON	
R936	QRD167J-563	56K 1/6W CARBON	
R937	QRD167J-123	12K 1/6W CARBON	
R938	QRD167J-123	12K 1/6W CARBON	
R939	QRD167J-682	6.8K 1/6W CARBON	
R940	QRD167J-682	6.8K 1/6W CARBON	
R941	QRG022J-150AM	15 2W O.M. FILM	
R942	QRG022J-150AM	15 2W O.M. FILM	
R945	QRD14CJ-1R0S	1 1/4W UNF. CARBON	C
R951	QRD167J-184	180K 1/6W CARBON	
R952	QRD167J-224	220K 1/6W CARBON	
R953	QRD167J-224	220K 1/6W CARBON	
R954	QRD167J-224	220K 1/6W CARBON	
R955	QRD167J-683	68K 1/6W CARBON	
R956	QRD167J-153	15K 1/6W CARBON	
R957	QRD167J-273	27K 1/6W CARBON	
R958	QRD167J-242	2.4K 1/6W CARBON	
R961	QRD167J-103	10K 1/6W CARBON	
R962	QRD167J-103	10K 1/6W CARBON	
R966	QRD167J-431	430 1/6W CARBON	
R967	QRD167J-681	680 1/6W CARBON	
R968	QRD167J-112	1.1K 1/6W CARBON	
R969	QRD167J-222	2.2K 1/6W CARBON	
R971	QRD167J-431	430 1/6W CARBON	
R972	QRD167J-681	680 1/6W CARBON	
R973	QRD167J-112	1.1K 1/6W CARBON	
R974	QRD167J-222	2.2K 1/6W CARBON	
R975	QRD167J-682	6.8K 1/6W CARBON	
R991	QRD161J-221	220 1/6W CARBON	
RA802	QRB085J-104	100K 1/8W R-NETWORK	
RA803	QRB135J-104	100K 1/8W R-NETWORK	
RA902	QRB059J-222	2.2K 1/10W R-NETWORK	
RA904	QRB069J-103	10K 1/10W R-NETWORK	
R1007	QRD167J-434	430K 1/6W CARBON	D
R1021	QRD167J-103	10K 1/6W CARBON	D
R1022	QRD167J-103	10K 1/6W CARBON	D
R1023	QRD167J-302	3K 1/6W CARBON	D

△ : SAFETY PARTS

## Resistors

ITEM	PART NUMBER	DESCRIPTION	AREA
R1024	QRD167J-153	15K 1/6W CARBON	D
R1025	QRD167J-153	15K 1/6W CARBON	D
R1026	QRD167J-153	15K 1/6W CARBON	D
R1027	QRD167J-203	20K 1/6W CARBON	D
R1028	QRD167J-272	2.7K 1/6W CARBON	D
R1041	QRD167J-752	7.5K 1/6W CARBON	D
R1042	QRD167J-752	7.5K 1/6W CARBON	D
R1043	QRD167J-753	75K 1/6W CARBON	D
R1044	QRD167J-753	75K 1/6W CARBON	D
R1045	QRD167J-475	4.7M 1/6W CARBON	D
R1046	QRD167J-331	330 1/6W CARBON	D
R1047	QRD167J-273	27K 1/6W CARBON	D
R1051	QRD167J-105	1M 1/6W CARBON	D
VR851	QVJB84B-E54C	50K VARIABLE	D
VR891	QVDB94B-E15C	100K VARIABLE	D
VR951	QVPG401-103	10K VARIABLE	D

△ : SAFETY PARTS

## Others

ITEM	PART NUMBER	DESCRIPTION	AREA
J851	QMS3R30-E40S	MINI JACK(MICJACK)	D
J891	QMS3R30-E40S	MINI JACK(HEADPHONE)	D
J991	EMV5142-903	PLUG ASSY(3PIN) VOL INDICATOR	
K901	ENZ8101-007	INDUCTOR	G
K901	ENZ8101-007	INDUCTOR	H
L991	EQL3001-101K	INDUCTOR	D
P921	VMC0234-P04	CONNECT TERMINAL(4PIN) DECK A	
P922	VMC0234-P08	CONNECT TERMINAL(8PIN) DECK B	
P923	VMC0234-P07	CONNECT TERMINAL(7PIN) CAM A	
P924	VMC0234-P07	CONNECT TERMINAL(7PIN) CAM B	
P992	EMV5109-005A	PLUG ASSY(SPIN) TO DIGITAL ECHO	D
S807	ESPO001-023M	TACT SWITCH(RANDOM)	
S808	ESPO001-023M	TACT SWITCH(JUST EDIT)	
S809	ESPO001-023M	TACT SWITCH(REPEAT)	
S810	ESPO001-023M	TACT SWITCH(SIDE A/B)	
S811	ESPO001-023M	TACT SWITCH(PROGRAM)	
S812	ESPO001-023M	TACT SWITCH(BACKWARD SKIP)	
S813	ESPO001-023M	TACT SWITCH(FORWARD SKIP)	
S815	ESPO001-023M	TACT SWITCH(FM)	
S816	ESPO001-023M	TACT SWITCH(AM)	
S817	ESPO001-023M	TACT SWITCH(TUNING UP)	
S818	ESPO001-023M	TACT SWITCH(TUNING DOWN)	
S819	ESPO001-023M	TACT SWITCH(PLAY/PAUSE)	
S820	ESPO001-023M	TACT SWITCH(STOP)	
S821	ESPO001-023M	TACT SWITCH(SLEEP)	
S825	ESPO001-023M	TACT SWITCH(PRESET DOWN)	
S826	ESPO001-023M	TACT SWITCH(PRESET UP)	
S827	ESPO001-023M	TACT SWITCH(OPEN/CLOSE)	
S828	ESPO001-023M	TACT SWITCH(CLOCK TIMER)	
S829	ESPO001-023M	TACT SWITCH(CLOCK ADJUST)	
S830	ESPO001-023M	TACT SWITCH(FM MODE, MUTE)	
S831	ESPO001-023M	TACT SWITCH(MEMORY)	
S833	ESPO001-023M	TACT SWITCH(AUX)	
S834	ESPO001-023M	TACT SWITCH(LEVEL 5)	
S835	ESPO001-023M	TACT SWITCH(POWER)	
S921	ESB1100-007	LEAF SWITCH(A/PAK)	
S922	ESB1100-007	LEAF SWITCH(A/G2)	
S923	ESB1100-007	LEAF SWITCH(REV REC)	
S924	ESB1100-007	LEAF SWITCH(B/G2)	
S925	ESB1100-007	LEAF SWITCH(B/PAK)	
S926	ESB1100-007	LEAF SWITCH(FWD REC)	
S966	ESPO001-023M	TACT SWITCH(REWIND)	
S967	ESPO001-023M	TACT SWITCH(REVERSE)	
S968	ESPO001-023M	TACT SWITCH(STOP)	
S969	ESPO001-023M	TACT SWITCH(PLAY)	
S970	ESPO001-023M	TACT SWITCH(FAST FORWARD)	
S971	ESPO001-023M	TACT SWITCH(DOLBY B)	
S972	ESPO001-023M	TACT SWITCH(REV. MODE)	
S973	ESPO001-023M	TACT SWITCH(CD DIRECT REC)	
S974	ESPO001-023M	TACT SWITCH(HIGH SPEED DUBBING)	
S975	ESPO001-023M	TACT SWITCH(REC PAUSE)	
S976	ESPO001-023M	TACT SWITCH(A/B)	
BC203	EWS26E-A920	SOCKET WIRE(14PIN) TO DECK	
BC512	EWS293-0120	SOCKET WIRE(3PIN) MIC CB	
BC991	EWS323-A912	SOCKET WIRE(3PIN) TO VOLUME IND.	
BC992	EWS265-A417	SOCKET WIRE(SPIN) DIGITAL ECHO	D
FL801	ELU0001-153	FL TUBE	
FS820	E3400-431	FELT SPACER	
FS903	E3400-431	FELT SPACER	
FW101	EWR37B-16LST	FLAT WIRE(7PIN) TO TUNER CB	
FW531	EWR35B-30LST	FLAT WIRE(SPIN) HEADPHONE	
FW851	EWR37B-20LST	FLAT WIRE(7PIN) MIC CB	A
FW851	EWR37B-20LST	FLAT WIRE(7PIN) MIC CB	B
FW851	EWR37B-20LST	FLAT WIRE(7PIN) MIC CB	C
FW851	EWR38B-20LST	FLAT WIRE(8PIN) MIC CB	D
FW851	EWR37B-20LST	FLAT WIRE(7PIN) MIC CB	E
FW851	EWR37B-20LST	FLAT WIRE(7PIN) MIC CB	F
FW851	EWR37B-20LST	FLAT WIRE(7PIN) MIC CB	G
FW851	EWR37B-20LST	FLAT WIRE(7PIN) MIC CB	H
FW901	EWR35B-13LST	FLAT WIRE(SPIN) FL/ BP	

△ : SAFETY PARTS

Others

ITEM	PART NUMBER	DESCRIPTION	AREA
FW902	EWR36B-13LST	FLAT WIRE (6PIN) SPK /POWER CONT.	
FW911	EWR36B-30LST	FLAT WIRE (6PIN) TO CD CB	
JA701	EMV7123-025R	CONNECTOR (25PIN) TO CD CB	
JA801	EMV5123-J070	PLUG ASSY (18PIN) TO KEY CB	
JA851	EMV7123-017R	CONNECTOR (17PIN) TO DECK CONTROL CB	

△ ISIA/FIETY I PARTIS

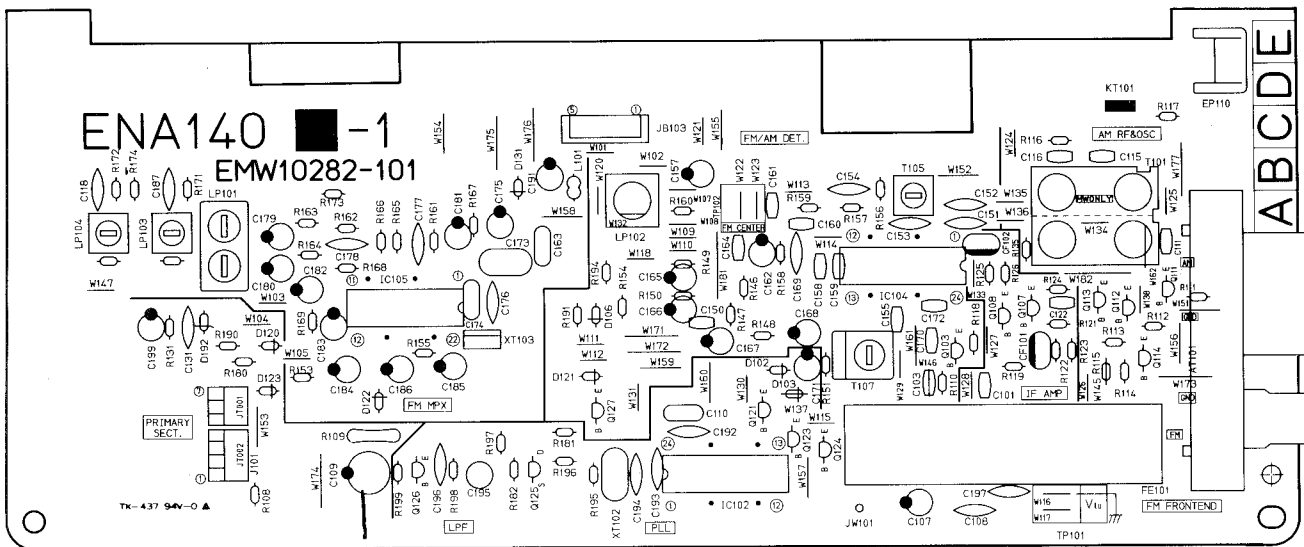
Others

ITEM	PART NUMBER	DESCRIPTION	AREA
JB801	EMV7124-009	CONNECTOR (9PIN) KEY CB	
JB811	EMV7124-008	CONNECTOR (8PIN) KEY CB	
JB851	EMV7123-017R	CONNECTOR (17PIN) DECK CONTROL CB	
TC801	ENZ1003-015	TRIMMER	
XT801	ECX4194-304CF	RESONATOR	
XT901	ECX0004-194KM	RESONATOR	
XT991	ECX0004-194KM	RESONATOR	D

△ ISIA/FIETY I PARTIS

■ ENA-140 □ Tuner PC Board Ass'y

Note : ENA-140 □ varies according to the areas employed. See note (1) when placing an order.



Note (1)

PC Board Ass'y	Designated Areas
ENA-140 <b>A</b>	the U.S.A. , Canada
ENA-140 <b>B</b>	Taiwan , Universal Type
ENA-140 <b>C</b>	Australia
ENA-140 <b>D</b>	Scandinavia Continental Europe
ENA-140 <b>E</b>	Germany
ENA-140 <b>F</b>	the U.K.
ENA-140 <b>G</b>	Italy
ENA-140 <b>H</b>	East Europe

Transistors

ITEM	PART NUMBER	DESCRIPTION	AREA
Q103	2SC461(B,C)	SILICON HITACHI	
Q107	2SC535(B,C)	SILICON HITACHI	
Q108	2SC461(B,C)	SILICON HITACHI	
Q111	2SD2144S(VW)	SILICON ROHM	D
Q111	2SD2144S(VW)	SILICON ROHM	E
Q111	2SD2144S(VW)	SILICON ROHM	F
Q111	2SD2144S(VW)	SILICON ROHM	G
Q111	2SD2144S(VW)	SILICON ROHM	H
Q112	2SD2144S(VW)	SILICON ROHM	D
Q112	2SD2144S(VW)	SILICON ROHM	E
Q112	2SD2144S(VW)	SILICON ROHM	F
Q112	2SD2144S(VW)	SILICON ROHM	G
Q112	2SD2144S(VW)	SILICON ROHM	H
Q113	2SD2144S(VW)	SILICON ROHM	D
Q113	2SD2144S(VW)	SILICON ROHM	E
Q113	2SD2144S(VW)	SILICON ROHM	F
Q113	2SD2144S(VW)	SILICON ROHM	G
Q113	2SD2144S(VW)	SILICON ROHM	H
Q114	2SC1740S(R,S)	SILICON ROHM	D
Q114	2SC1740S(R,S)	SILICON ROHM	E
Q114	2SC1740S(R,S)	SILICON ROHM	F
Q114	2SC1740S(R,S)	SILICON ROHM	G
Q114	2SC1740S(R,S)	SILICON ROHM	H
Q121	DTA144ES	SILICON ROHM	D
Q121	DTA144ES	SILICON ROHM	E
Q121	DTA144ES	SILICON ROHM	F
Q121	DTA144ES	SILICON ROHM	G
Q121	DTA144ES	SILICON ROHM	H
Q123	DTA144ES	SILICON ROHM	
Q124	DTA144ES	SILICON ROHM	
Q125	2SK301(Q2)	F.E.T MATSUSHITA	
Q126	2SC458(D)	SILICON HITACHI	
Q127	DTC144ES	SILICON ROHM	

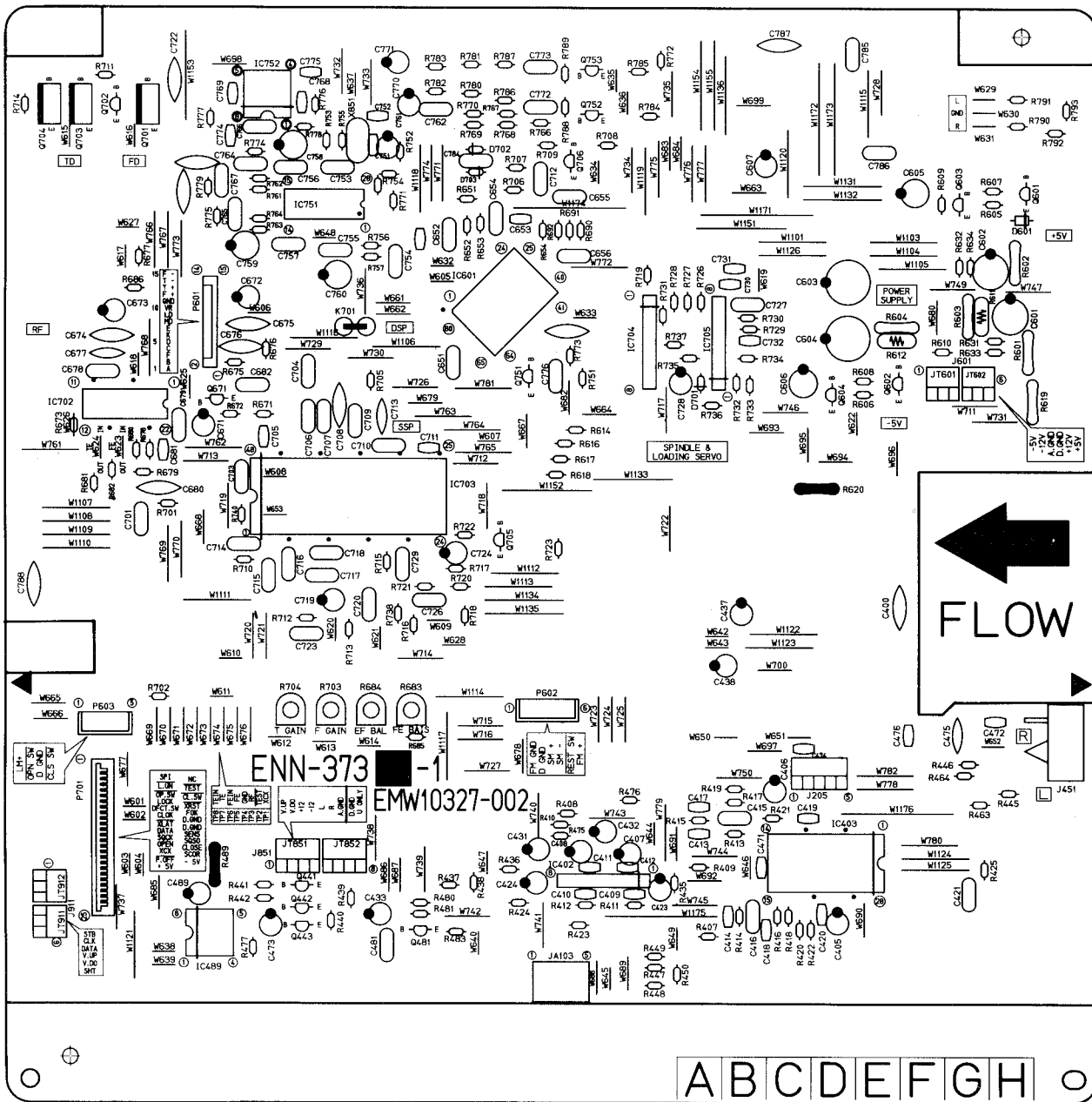
△ ISIA/FIETY I PARTIS





■ ENN-373 □ CD & Source Selector PC Board Ass'y

Note : ENN-373 □ varies according to the areas employed. See note (1) when placing an order.



Note (1)

PC Board Ass'y	Designated Areas
ENN-373 <b>A</b>	the U.S.A. , Canada
ENN-373 <b>B</b>	Australia , Scandinavia Continental Europe the U.K. , East Europe
ENN-373 <b>C</b>	Germany , Italy
ENN-373 <b>D</b>	Taiwan , Universal Type

Transistors

△	ITEM	PART NUMBER	DESCRIPTION	AREA
	Q441	2SD2144S(VW)	SILICON ROHM	
	Q442	2SD2144S(VW)	SILICON ROHM	
	Q443	DTA144ES	SILICON ROHM	
	Q481	2SC1685(R,S)	SILICON MATSUSHITA	
	Q601	2SA934(Q,R)	SILICON ROHM	
	Q602	2SC1685(R,S)	SILICON MATSUSHITA	
	Q603	DTC144ES	SILICON ROHM	
	Q604	DTA144WS	SILICON ROHM	
	Q671	2SA934(Q,R)	SILICON ROHM	
	Q701	2SD2037(E,F)	SILICON ROHM	
	Q702	2SA934(Q,R)	SILICON ROHM	
	Q703	2SD2037(E,F)	SILICON ROHM	
	Q704	2SB1357(E,F)	SILICON ROHM	
	Q705	DTC144ES	SILICON ROHM	
	Q706	2SC1685(R,S)	SILICON MATSUSHITA	
	Q751	DTA144ES	SILICON ROHM	
	Q752	2SC1685(R,S)	SILICON MATSUSHITA	
	Q753	2SC1685(R,S)	SILICON MATSUSHITA	

△ ISIAFETY PARTS





Resistors

ITEM	PART NUMBER	DESCRIPTION	AREA
△ R489	QRD14CJ-220S	22 1/4W UNF. CARBON	A
△ R601	QRD14CJ-100S	10 1/4W UNF. CARBON	B
△ R601	QRZ0077-100	10 1/4W FUSIBLE	C
△ R601	QRZ0077-100	10 1/4W FUSIBLE	D
△ R602	QRD14CJ-100S	10 1/4W UNF. CARBON	A
△ R602	QRZ0077-100	10 1/4W FUSIBLE	B
△ R602	QRZ0077-100	10 1/4W FUSIBLE	C
△ R602	QRZ0077-100	10 1/4W FUSIBLE	D
△ R605	QRD167J-472	4.7K 1/6W CARBON	
R606	QRD167J-472	4.7K 1/6W CARBON	
R607	QRD167J-471	470 1/6W CARBON	
R608	QRD167J-182	1.8K 1/6W CARBON	
R609	QRD167J-103	10K 1/6W CARBON	
R610	QRD167J-472	4.7K 1/6W CARBON	
△ R611	PTH61G25AR4R7M	FUSIBLE RE SI	
△ R612	PTH61G25AR4R7M	FUSIBLE RE SI	
R614	QRD167J-102	1K 1/6W CARBON	
R616	QRD167J-102	1K 1/6W CARBON	
R617	QRD167J-391	390 1/6W CARBON	
R618	QRD167J-102	1K 1/6W CARBON	
△ R619	QRD14CJ-5R6S	5.6 1/4W UNF. CARBON	A
△ R619	QRZ0077-5R6	5.6 1/4W FUSIBLE	B
△ R619	QRZ0077-5R6	5.6 1/4W FUSIBLE	C
△ R619	QRZ0077-5R6	5.6 1/4W FUSIBLE	D
△ R620	QRD14CJ-470S	47 1/4W UNF. CARBON	A
△ R620	QRZ0077-470	47 1/4W FUSIBLE	B
△ R620	QRZ0077-470	47 1/4W FUSIBLE	C
△ R620	QRZ0077-470	47 1/4W FUSIBLE	D
△ R651	QRD167J-332	3.3K 1/6W CARBON	
R652	QRD167J-682	6.8K 1/6W CARBON	
R653	QRD167J-103	10K 1/6W CARBON	
R654	QRD167J-103	10K 1/6W CARBON	
R671	QRD167J-100	10 1/6W CARBON	
R672	QRD167J-120	12 1/6W CARBON	
R673	QRD167J-102	1K 1/6W CARBON	
R675	QRD167J-183	18K 1/6W CARBON	
R676	QRD167J-183	18K 1/6W CARBON	
R677	QRD167J-121	120 1/6W CARBON	
R678	QRD167J-103	10K 1/6W CARBON	
R679	QRD167J-332	3.3K 1/6W CARBON	
R680	QRD167J-822	8.2K 1/6W CARBON	
R681	QRD167J-113	11K 1/6W CARBON	
R682	QRD167J-104	100K 1/6W CARBON	
R683	QVPA601-203A	20K VARIABLE	
R684	QVPA601-203A	20K VARIABLE	
R685	QRD167J-103	10K 1/6W CARBON	
R686	QRD167J-910	91 1/6W CARBON	
R690	QRD167J-102	1K 1/6W CARBON	
R691	QRD167J-102	1K 1/6W CARBON	
R692	QRD167J-102	1K 1/6W CARBON	
R701	QRD167J-472	4.7K 1/6W CARBON	
R702	QRD167J-472	4.7K 1/6W CARBON	
R703	QVPA601-203A	20K VARIABLE	
R704	QVPA601-203A	20K VARIABLE	
R705	QRD167J-102	1K 1/6W CARBON	
R706	QRD167J-104	100K 1/6W CARBON	
R707	QRD167J-103	10K 1/6W CARBON	
R708	QRD167J-273	27K 1/6W CARBON	
R709	QRD167J-273	27K 1/6W CARBON	
R710	QRD167J-224	220K 1/6W CARBON	
R711	QRD167J-2R2	2.2 1/6W CARBON	
R712	QRD167J-164	160K 1/6W CARBON	
R713	QRD167J-134	130K 1/6W CARBON	
R714	QRD167J-2R2	2.2 1/6W CARBON	
R715	QRD167J-224	220K 1/6W CARBON	
R716	QRD167J-333	33K 1/6W CARBON	
R717	QRD167J-103	10K 1/6W CARBON	
R718	QRD167J-514	510K 1/6W CARBON	
R719	QRD167J-2R2	2.2 1/6W CARBON	
R720	QRD167J-123	12K 1/6W CARBON	
R721	QRD167J-333	33K 1/6W CARBON	
R722	QRD167J-124	120K 1/6W CARBON	
R723	QRD167J-472	4.7K 1/6W CARBON	
R726	QRD167J-203	20K 1/6W CARBON	
R727	QRD167J-273	27K 1/6W CARBON	
R728	QRD167J-752	7.5K 1/6W CARBON	
R729	QRD167J-752	7.5K 1/6W CARBON	
R730	QRD167J-333	33K 1/6W CARBON	
R731	QRD167J-2R2	2.2 1/6W CARBON	
R732	QRD167J-513	51K 1/6W CARBON	
R733	QRD167J-513	51K 1/6W CARBON	
R734	QRD167J-683	68K 1/6W CARBON	
R735	QRD167J-683	68K 1/6W CARBON	
R736	QRD167J-684	680K 1/6W CARBON	
R737	QRD161J-221	220 1/6W CARBON	
R738	QRD167J-823	82K 1/6W CARBON	
R740	QRD167J-275	2.7M 1/6W CARBON	
R751	QRD167J-103	10K 1/6W CARBON	
R752	QRD167J-101	100 1/6W CARBON	
R753	QRD167J-103	10K 1/6W CARBON	
R754	QRD167J-103	10K 1/6W CARBON	
R755	QRD167J-330	33 1/6W CARBON	
R756	QRD167J-560	56 1/6W CARBON	
R761	QRD167J-183	18K 1/6W CARBON	

△ : SAFETY PARTS

Resistors

ITEM	PART NUMBER	DESCRIPTION	AREA
R762	QRD167J-183	18K 1/6W CARBON	
R763	QRD167J-183	18K 1/6W CARBON	
R764	QRD167J-183	18K 1/6W CARBON	
R766	QRD167J-271	270 1/6W CARBON	
R767	QRD167J-682	6.8K 1/6W CARBON	
R768	QRD167J-332	3.3K 1/6W CARBON	
R769	QRD167J-271	270 1/6W CARBON	
R770	QRD167J-102	1K 1/6W CARBON	
R771	QRD167J-102	1K 1/6W CARBON	
R774	QRD167J-392	3.9K 1/6W CARBON	
R775	QRD167J-392	3.9K 1/6W CARBON	
R776	QRD167J-223	22K 1/6W CARBON	
R777	QRD167J-223	22K 1/6W CARBON	
R778	QRD167J-103	10K 1/6W CARBON	
R779	QRD167J-103	10K 1/6W CARBON	
R780	QRD167J-561	560 1/6W CARBON	
R781	QRD167J-561	560 1/6W CARBON	
R784	QRD167J-392	3.9K 1/6W CARBON	
R785	QRD167J-392	3.9K 1/6W CARBON	
R786	QRD161J-221	220 1/6W CARBON	
R787	QRD161J-221	220 1/6W CARBON	
R788	QRD167J-104	100K 1/6W CARBON	
R789	QRD167J-104	100K 1/6W CARBON	
R790	QRD167J-272	2.7K 1/6W CARBON	
R791	QRD167J-272	2.7K 1/6W CARBON	
R792	QRD167J-432	4.3K 1/6W CARBON	
R793	QRD167J-432	4.3K 1/6W CARBON	

△ : SAFETY PARTS

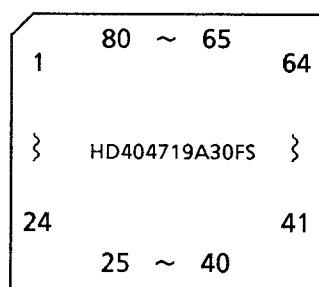
Others

ITEM	PART NUMBER	DESCRIPTION	AREA
J205	EMV7122-005	CONNECTOR (5PIN) DECK PLAY/REC	
J451	EMN00TV-201A	2P PIN JACK(AUX INPUT)	A
J451	EMN00TV-201A	2P PIN JACK(AUX INPUT)	B
J451	EMN00TV-209A	2P PIN JACK(AUX INPUT)	C
J451	EMN00TV-201A	2P PIN JACK(AUX INPUT)	D
P601	EMV7144-015	CONNECTOR(15PIN) TO PICKUP	
P602	EMV5109-006A	PLUG ASSY(6PIN) TO CD MECHA.	
P603	EMV5109-005A	PLUG ASSY(5PIN) TO LOADING MECHA.	
P701	EMV7123-025	CONNECTOR(25PIN) TO FRONT CB	
X851	ECX0169-344EA	RESONATOR	
JA103	EMV7125-005R	CONNECTOR(5PIN) TO TUNER CB	
JT601	EMV7122-103	CONNECTOR(3PIN) PART OF J601	
JT602	EMV7122-103	CONNECTOR(3PIN) PART OF J601	
JT851	EMV7122-004	CONNECTOR(4PIN) PART OF J851	
JT852	EMV7122-103	CONNECTOR(3PIN) PART OF J851	A
JT852	EMV7122-103	CONNECTOR(3PIN) PART OF J851	B
JT852	EMV7122-103	CONNECTOR(3PIN) PART OF J851	C
JT852	EMV7122-004	CONNECTOR(4PIN) PART OF J851	D
JT911	EMV7122-103	CONNECTOR(3PIN) PART OF J911	
JT912	EMV7122-103	CONNECTOR(3PIN) PART OF J911	

△ : SAFETY PARTS

## ■ HD404719A30FS (IC901) : System controller

### 1. Terminal Layout



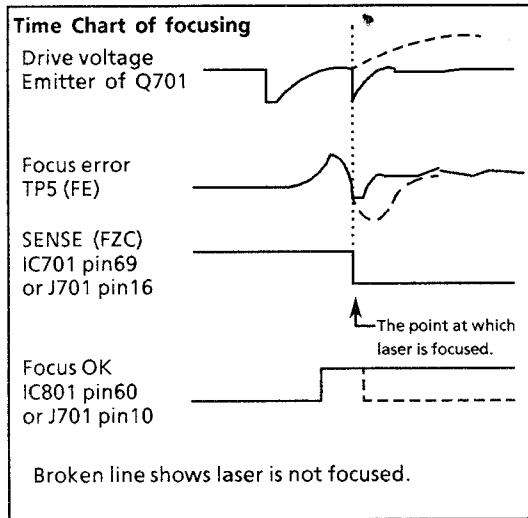
### 2. Key input

IN1	IN2	IN3	IN4	IN5	IN6	IN7
A CrO <sub>2</sub>	REV REC	—	POWER	—	◀◀	DOLBY B
B CrO <sub>2</sub>	FWD REC	—	LIVE-S	—	◀	REV. MODE
A PACK	B PACK	—	AUX	—	■	CD D REC
—	—	—	—	—	▶	H.S.D.
—	—	—	—	—	▶▶	REC P
—	—	—	—	—	—	A/B

### 3. Terminal Functions

Pin No.	Symbol	I/O	Function	Pin No.	Symbol	I/O	Function
1	IN1	I	Detecting buttons and switches	41	BFR	O	Reel motor control signal (forward)
2	IN2	I	Detecting buttons and switches	42	BRR	O	Reel motor control signal (reverse)
3	PRT	I	Input from protector circuit	43	BRC	O	Cam motor control signal (counterclockwise)
4	AD GND	---	Ground for A/D converter	44	BFC	O	Cam motor control signal (clockwise)
5	AMP RESET	I	Reset signal from IC801	45	AFR	O	Reel motor control signal (forward)
6	OSC1	---	Oscillation terminal	46	ARR	O	Reel motor control signal (reverse)
7	OSC2	---	Oscillation terminal	47	ARC	O	Cam motor control signal (counterclockwise)
8	L GND	---	GND	48	AFC	O	Cam motor control signal (clockwise)
9	—	---	Connected to GND	49	—	---	Connected to GND
10	—	---	Connected to GND	50	ASC2	I	Input of mechanism information (deck A)
11	TEST	---	Connected to +5V	51	ASC1	I	Input of mechanism information (deck A)
12	+5V	---	Power supply	52	ACS0	I	Input of mechanism information (deck A)
13	DCS IN	I	Compulink signal input	53	BCS2	I	Input of mechanism information (deck B)
14	DCS OUT	O	Compulink signal output	54	BCS1	I	Input of mechanism information (deck B)
15	FADE	O	Fade recording control	55	BCS0	I	Input of mechanism information (deck B)
16	BIAS	O	Bias circuit control (on/off)	56	SMT	O	Muting control
17	ACAP	O	Drive signal for the capstan motor (A)	57	—	---	Connected to GND
18	BCAP	O	Drive signal for the capstan motor (B)	58	—	---	Connected to GND
19	AMC	O	Speed control signal for deck A	59	—	---	Connected to GND
20	BMC	O	Speed control signal for deck B	60	—	---	Connected to GND
21	APLS	I	Input of reel pulse (Deck A)	61	RMIN	I	Input from remote signal detector
22	BPLS	I	Input of reel pulse (Deck B)	62	SP CLK	O	Clock output to IC803
23	RMT	O	Recording mute control	63	SPDATA	O	Data output to IC803
24	NR	O	Noise reduction control	64	CS	O	Chip select signal to IC803
25	NR REC	O	Mode control of NR (REC/PLAY)	65	MSI	I	Blank detection terminal for music scanning
26	H.S.D.	O	Control signal for high-speed dubbing	66	CLK	O	Clock output to IC403 (Tone selector)
27	PBCR	O	Playback equalizer control	67	STB	O	Strobe output to IC403 (Tone selector)
28	—	---	Connected to +5V	68	DATA	O	Data output to IC403 (Tone selector)
29	LC	O	Rec. EQ control (Normal speed : CrO <sub>2</sub> )	69	POWER	O	Power control (Power on/off)
30	HC	O	Rec. EQ control (High speed : CrO <sub>2</sub> )	70	SPK	O	Speaker relay control
31	HN	O	Rec. EQ control (High speed : Normal)	71	VOL DOWN	O	Master volume control
32	BCR	O	'L' when using high position tape	72	VOL UP	O	Master volume control
33	—	---	Connected to +5V	73	A PLAY	O	'H' with deck A playing
34	—	---	Connected to +5V	74	PB MUTE	O	Muting control for cassette decks
35	—	---	Connected to +5V	75	AD VCC	---	+5V
36	A LED	O	Indication signal	76	IN3	---	Connected to GND
37	B LED	O	Indication signal	77	IN4	I	Detecting buttons and switches
38	STB-BY	O	Indication signal	78	IN5	---	Connected to GND
39	—	---	Connected to +5V	79	IN6	I	Detecting buttons and switches
40	VOL.IND	O	Indication signal	80	IN7	I	Detecting buttons and switches

# Flow of Functional Operation Until TOC is Read



Power ON

Check Points

Slider turns  
REST SW on.

Is the voltage at pin24 of IC703 0V?

Laser diode  
emits light

Check that the voltage at pin20 of IC702 is +0V, and its transmission path to the pickup.

Focusing

Disc is rotated

Check that the voltage at pin4(MDP) of IC701 is 5V, and its transmission path to the spindle motor.

Tracking loop is  
applied.

Eye pattern is  
output

If the eye pattern doesn't appear, check the RF amp (IC702). And if the eye pattern is incorrect, perform FE Bias adjustment.

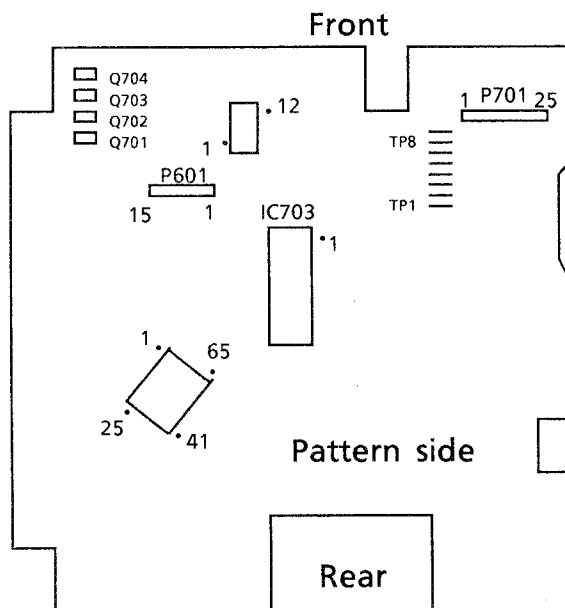
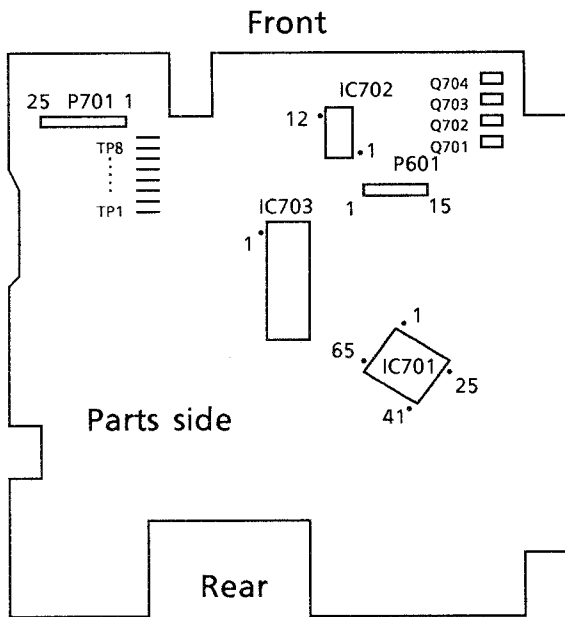
TOC Reading

Disc is braked

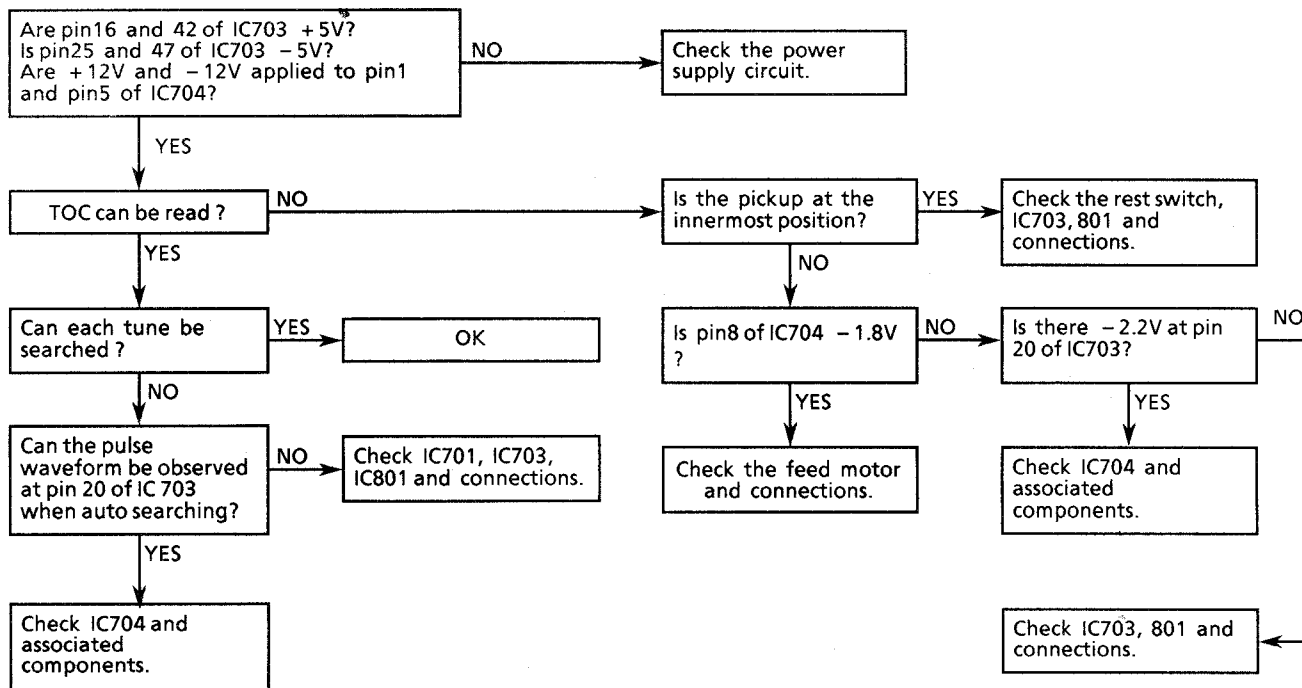
Check that the voltage at pin4(MDP) of IC701 is 0V, and its transmission path to the spindle motor. (During braking, the voltage of pin3 is held to be a +5V, and change to 0V at stop.)

Laser OFF

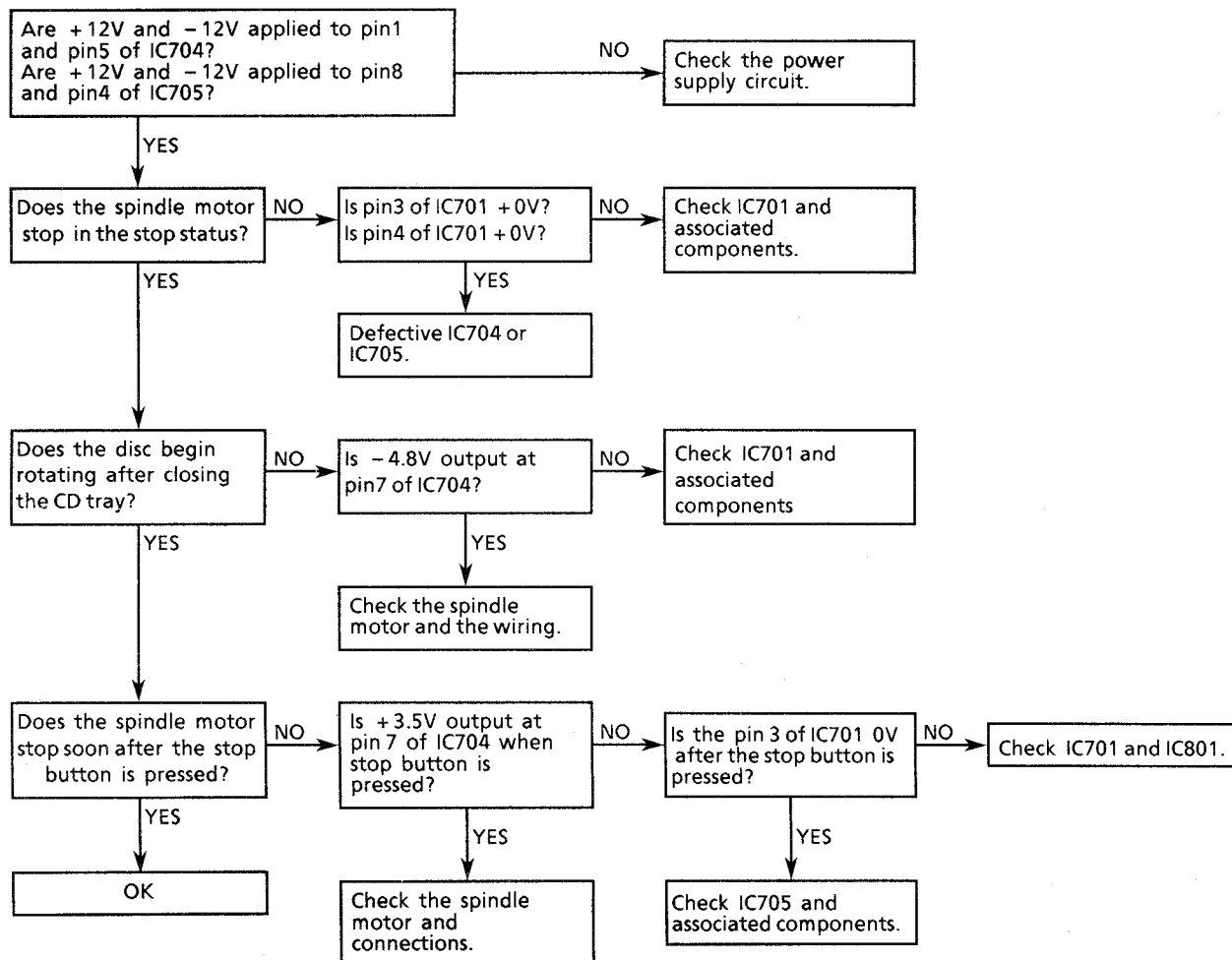
Check that the voltage at pin20 of IC702 is 5V, and its transmission path to the pickup.

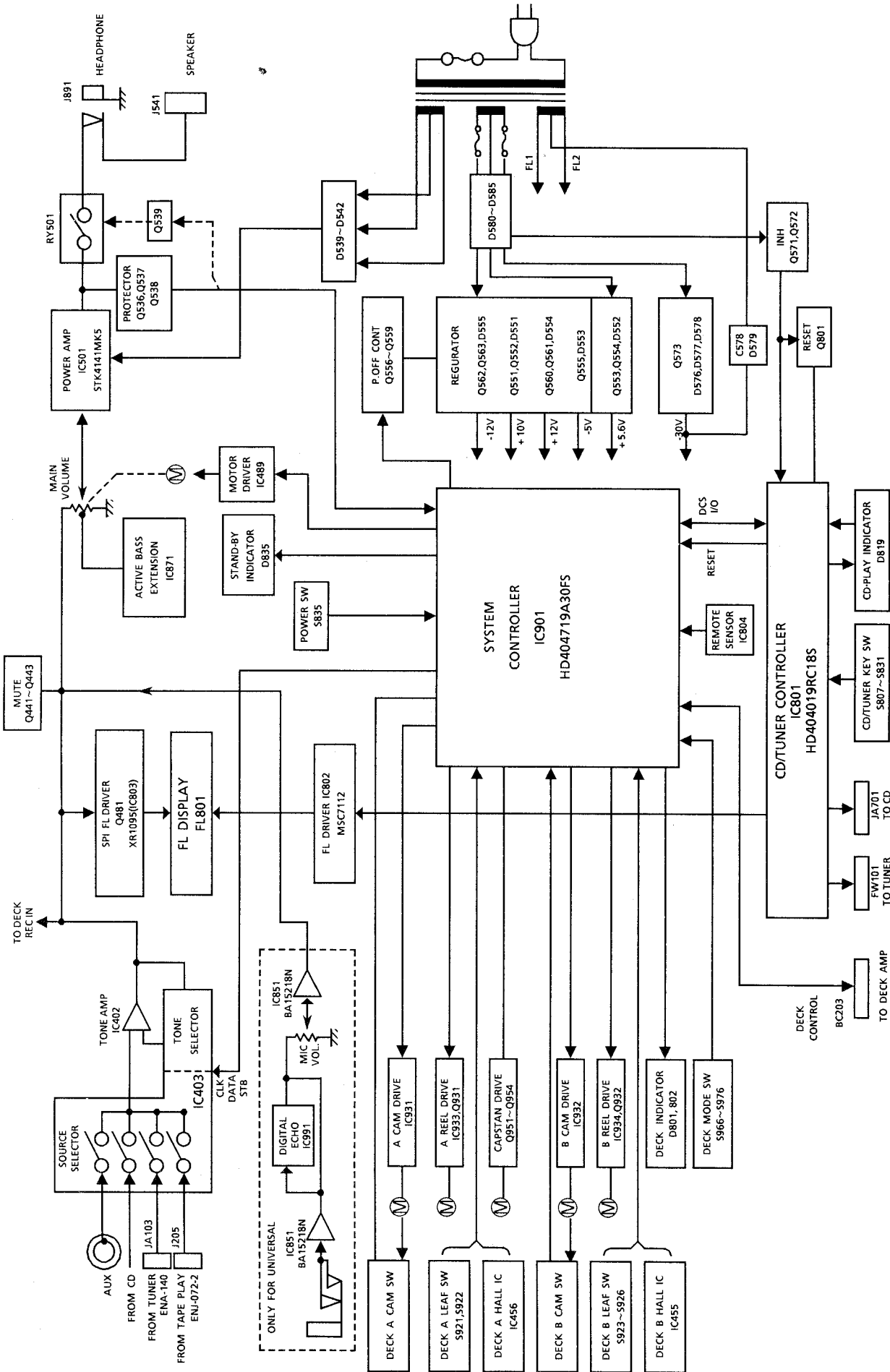


### Feed section

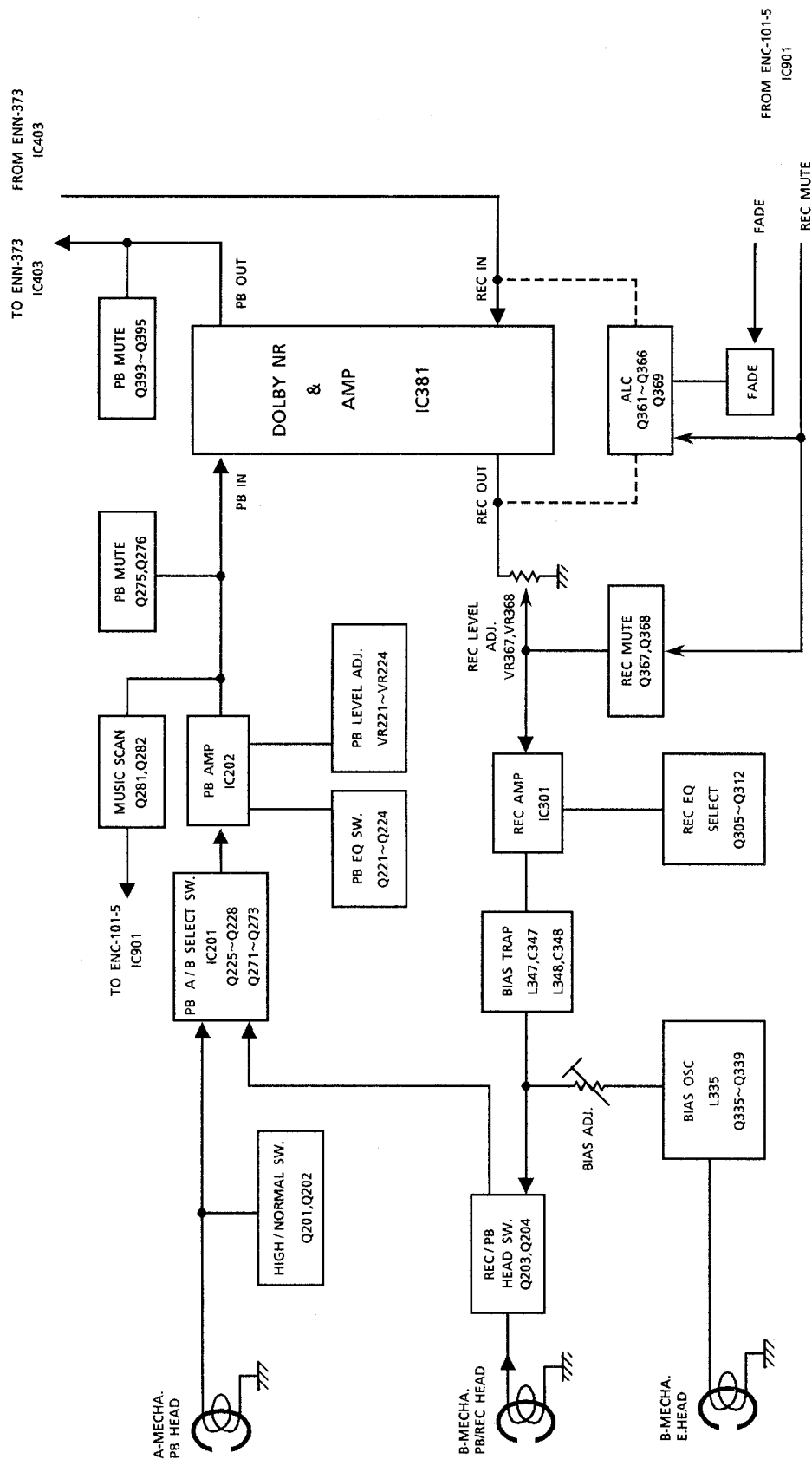


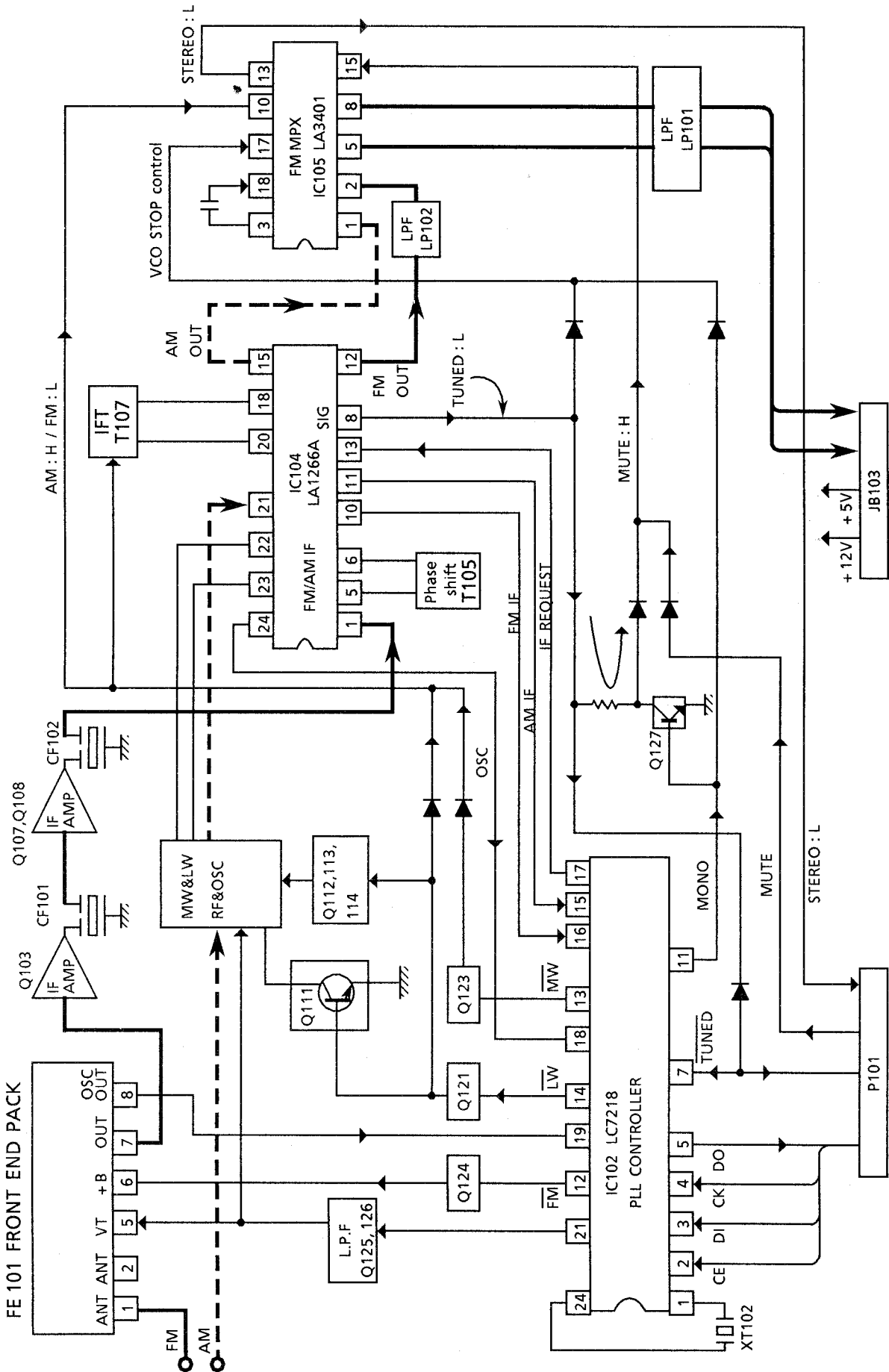
### Spindle section



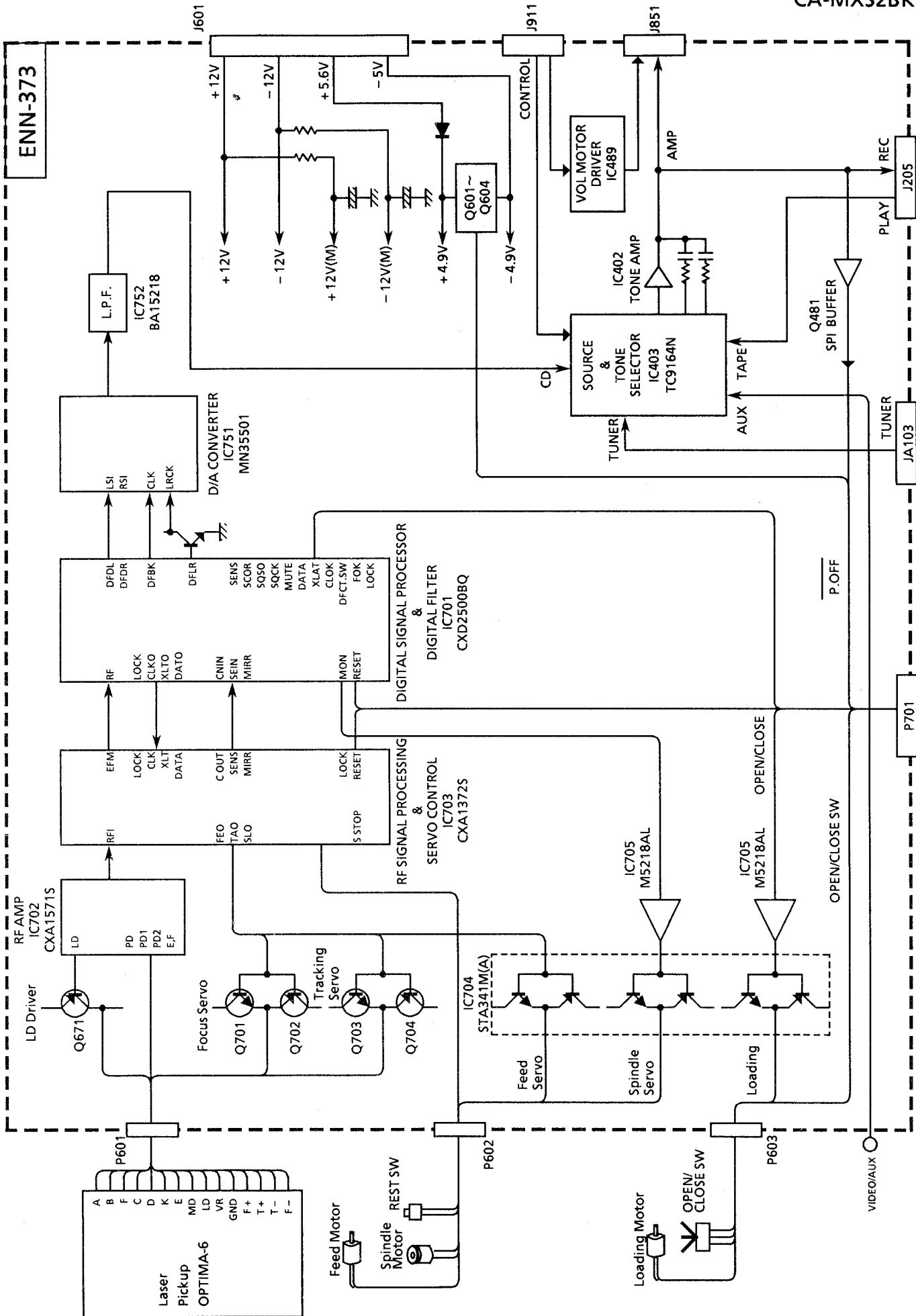


# Block Diagram



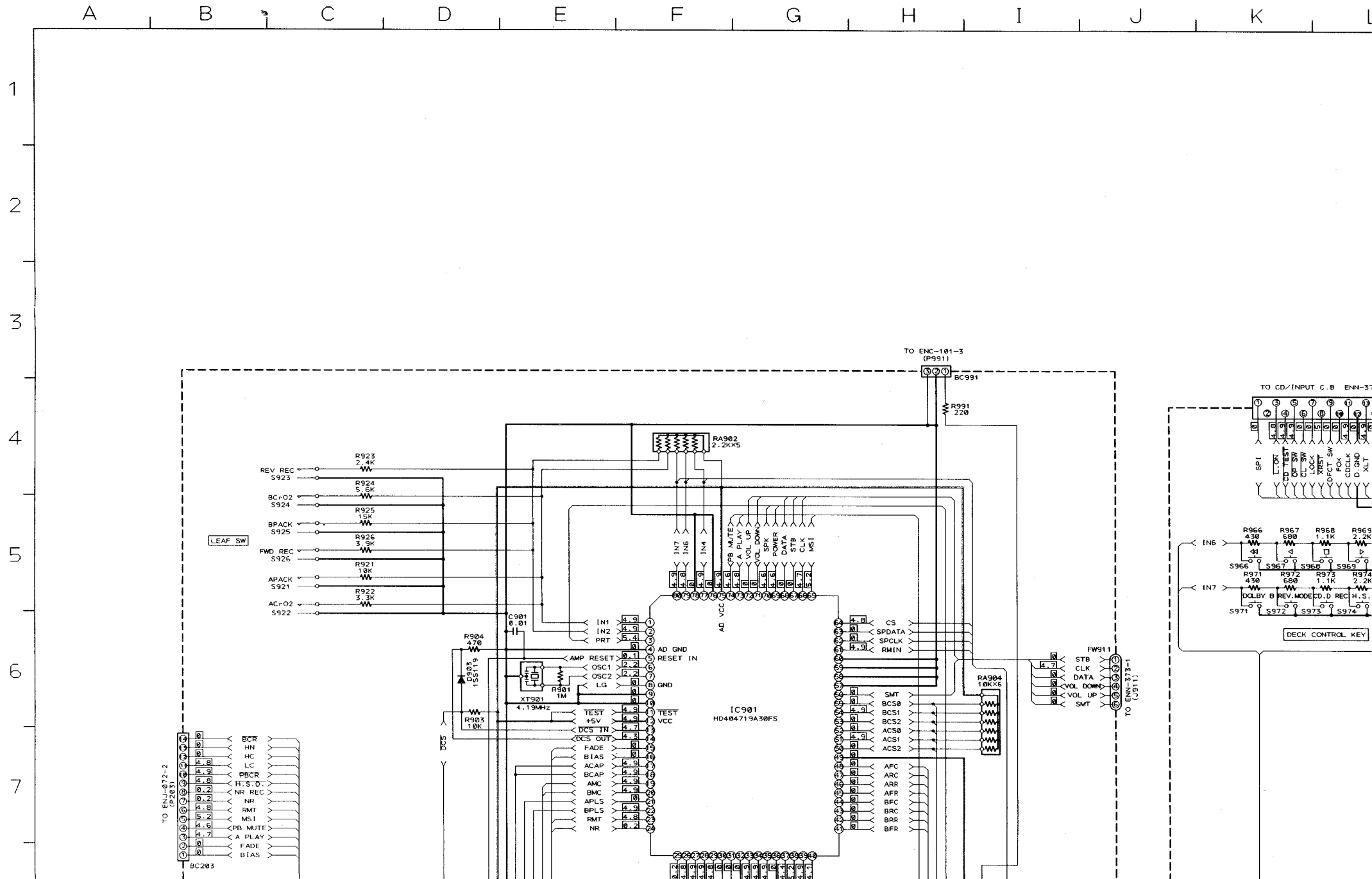




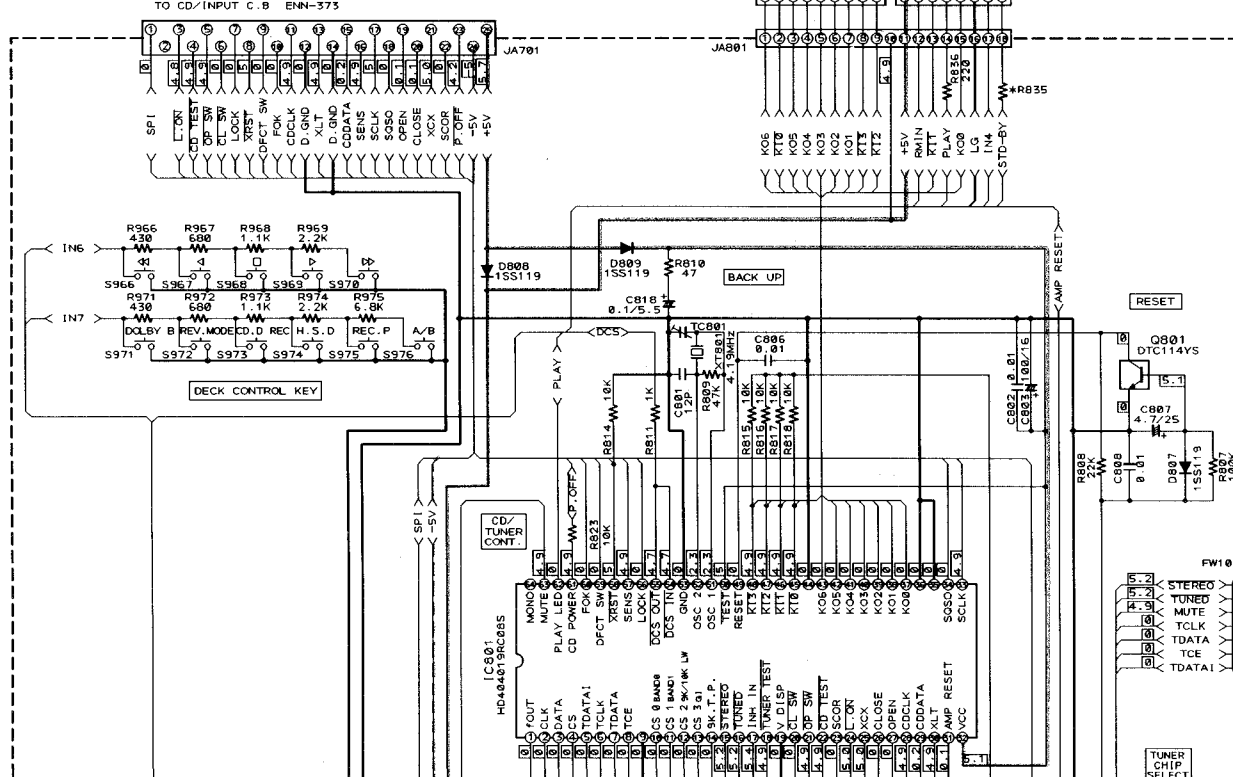
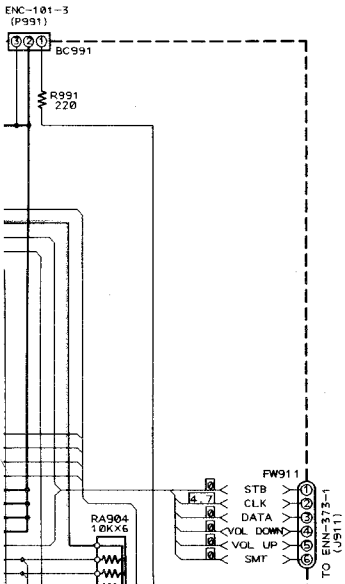
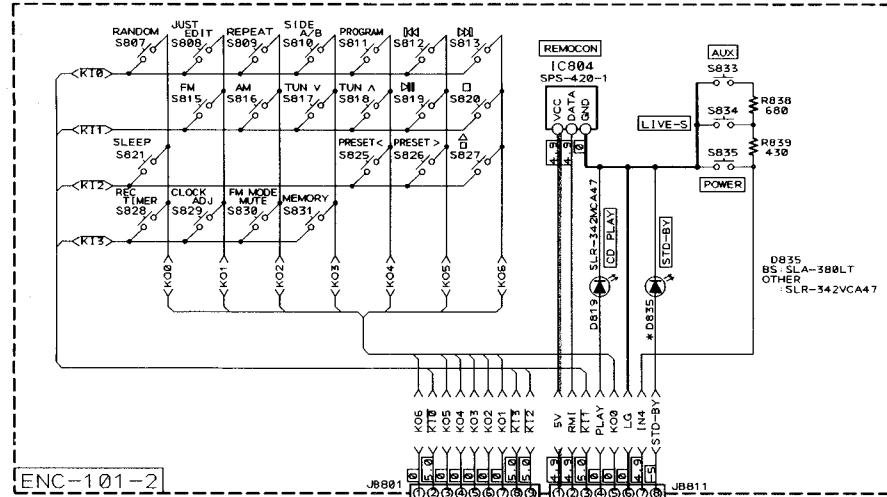


# Schematic Diagrams

## (1) System Control Section



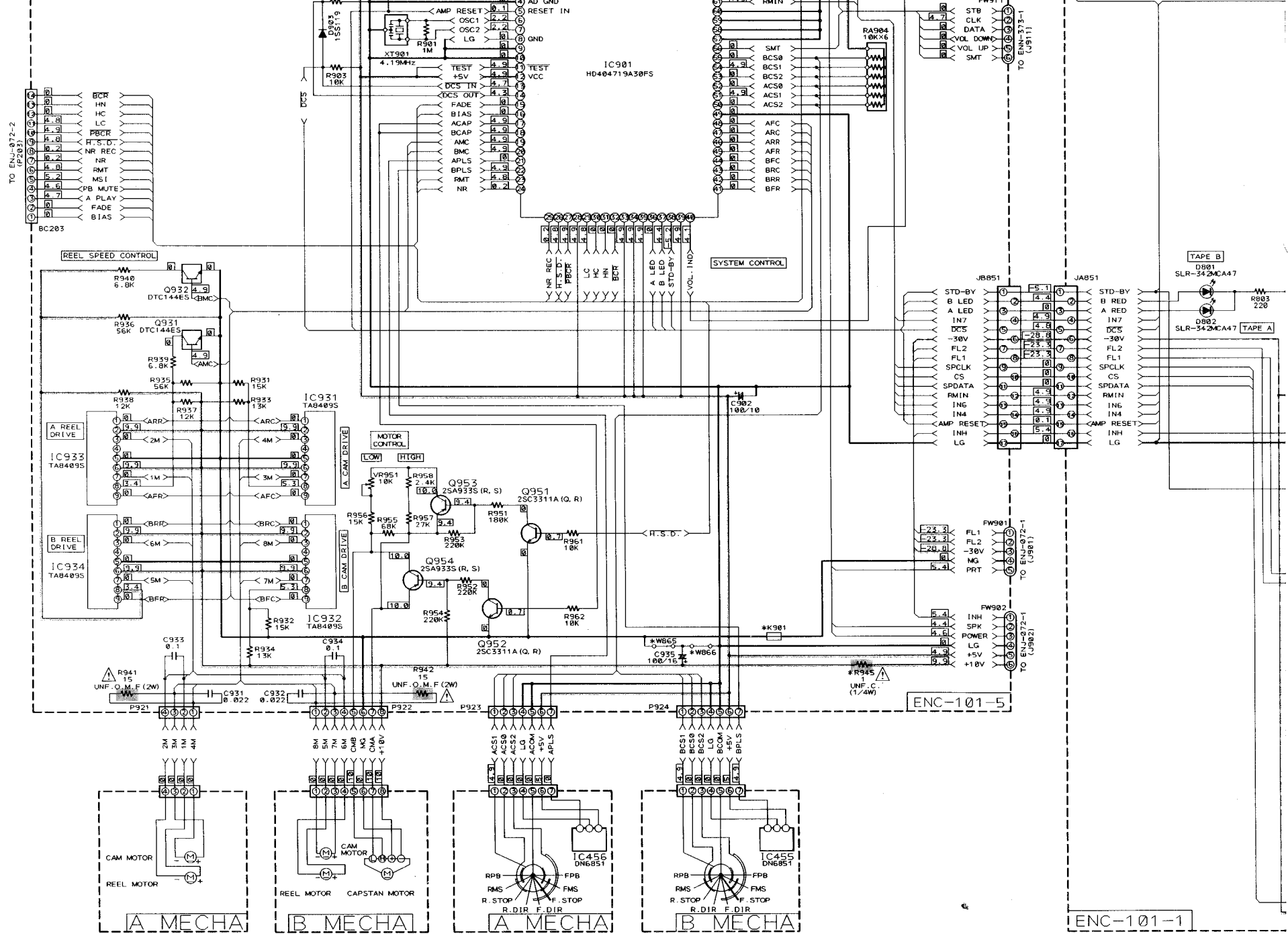
I J K L M N O P Q R S T

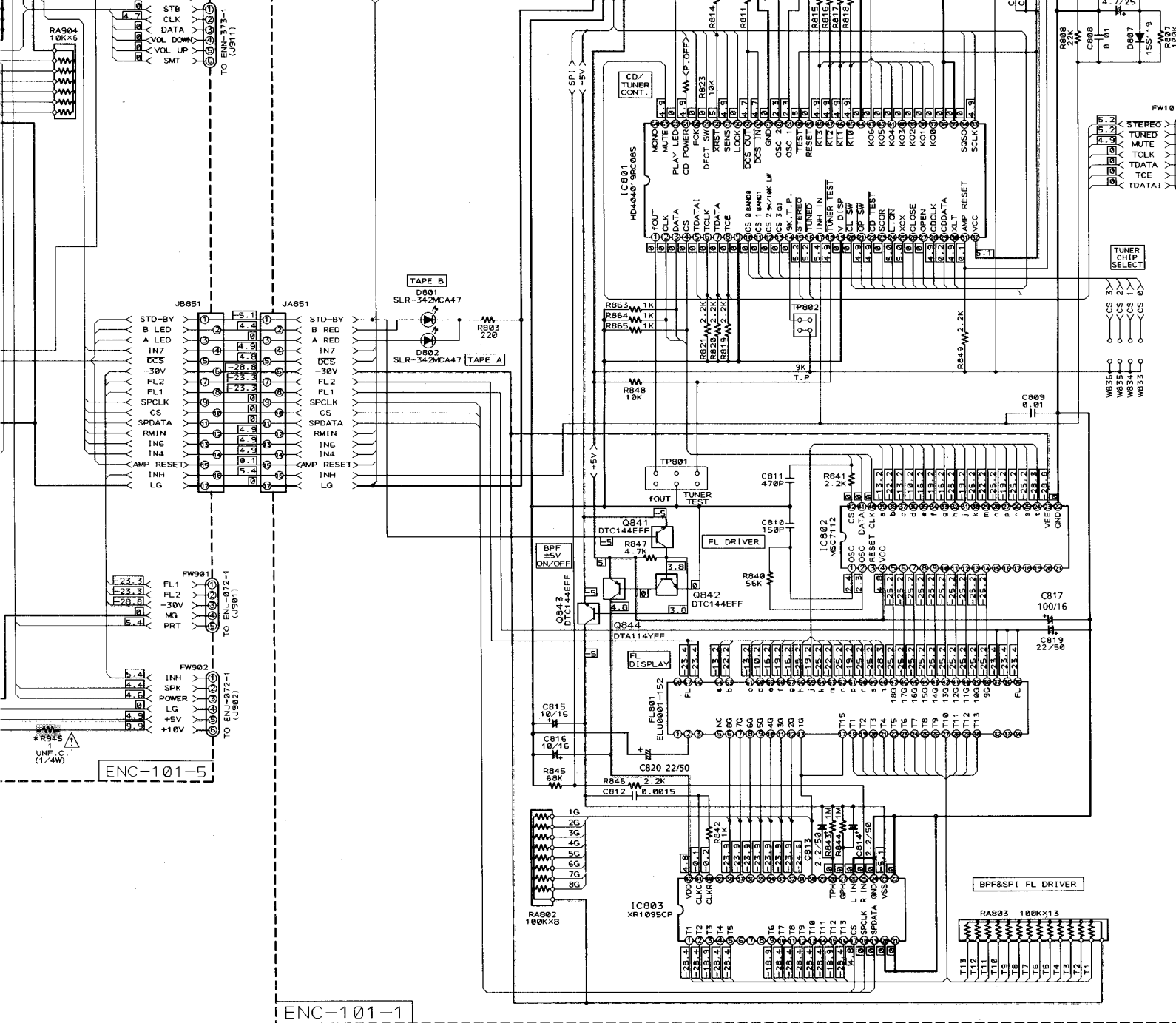


\* MARK

	BS	J.C	G.G1	OTHERS
DB35	SLA-380LT	SLR-342VCA47	SLR-342VCA47	SLR-342VCA47
R835	470	150	150	150
W865	NONE	NONE	USED	NONE
W866	USED	USED	NONE	USED
K901	SHORT	SHORT	USED	SHORT
R945	SHORT	USED	SHORT	SHORT

TO TUNER C.B ENA-140



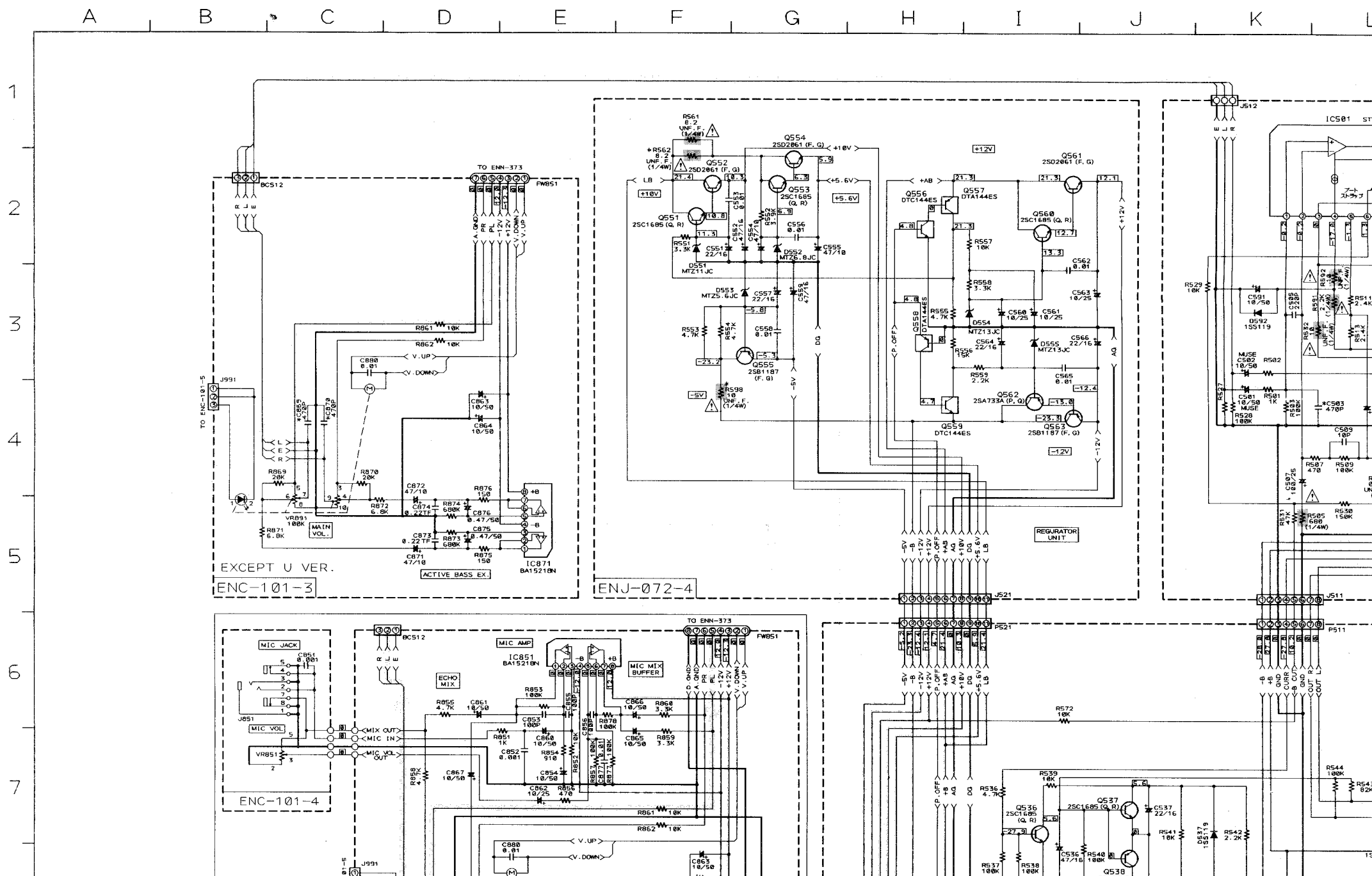


TUNER CHIP SELECT

CS	BAND	EN, EF, G, B5	A	G1	VX	U, UT	J. C
CS0	WB33	NONE	NONE	NONE	USED	NONE	USED
CS1	WB34	NONE	NONE	NONE	USED	USED	NONE
CS2	WB35	NONE	USED	NONE	NONE	NONE	NONE
CS3	WB36	NONE	NONE	USED	NONE	NONE	USED

- Notes:
- ..... indicates +B power supply.
  - ..... indicates -B power supply.
  - ..... indicates main signal path.
  - ..... indicates recording signal path.
  - When replacing the parts in the shaded area (.....) and those marked with  $\Delta$ , be sure to use the designated parts to ensure safety. This is the standard circuit diagram.
  - The design and contents are subject to change without notice.

(2) Power Supply & Audio Section



EXCEPT U VER.  
ENC-101-3

ACTIVE BASS EX  
IC871 BA1521BN

ENJ-072-4

REGULATOR UNIT

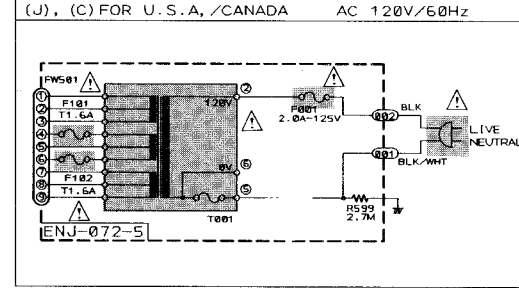
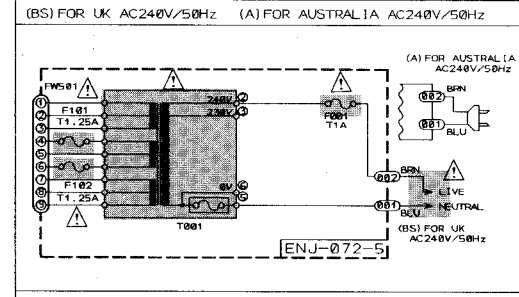
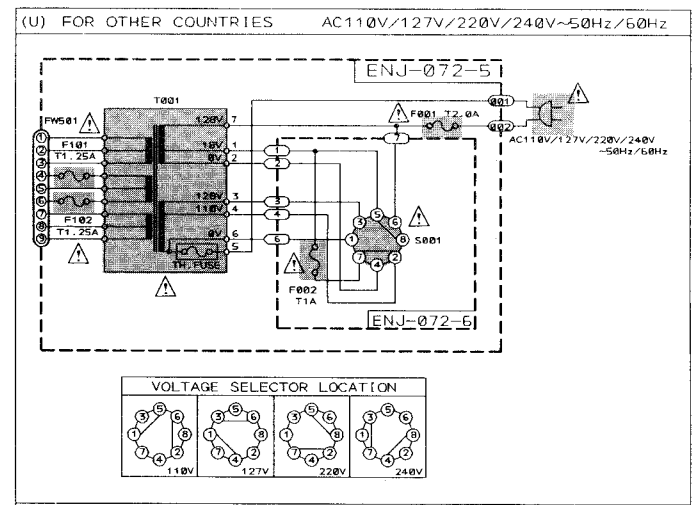
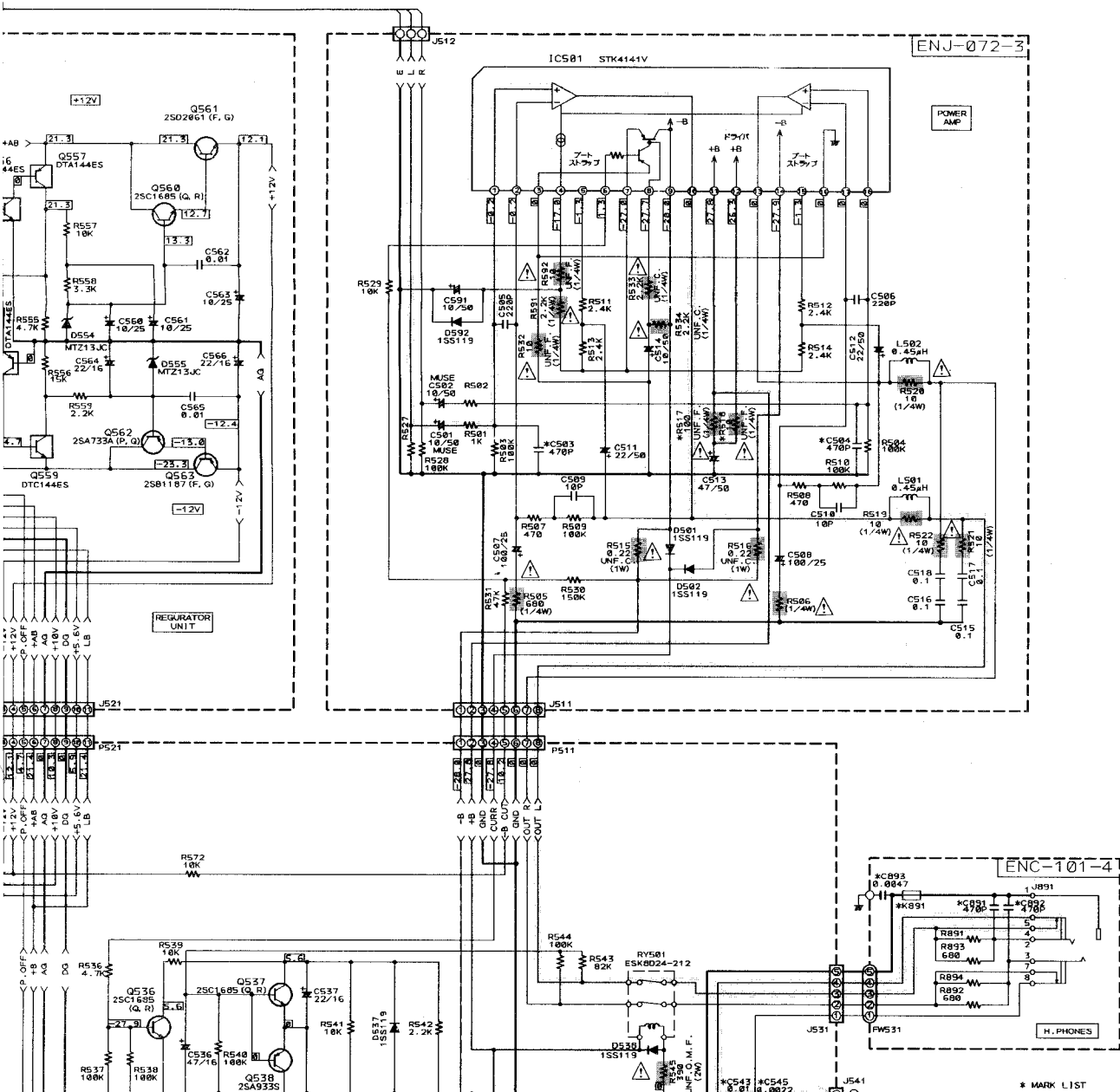
ENC-101-4

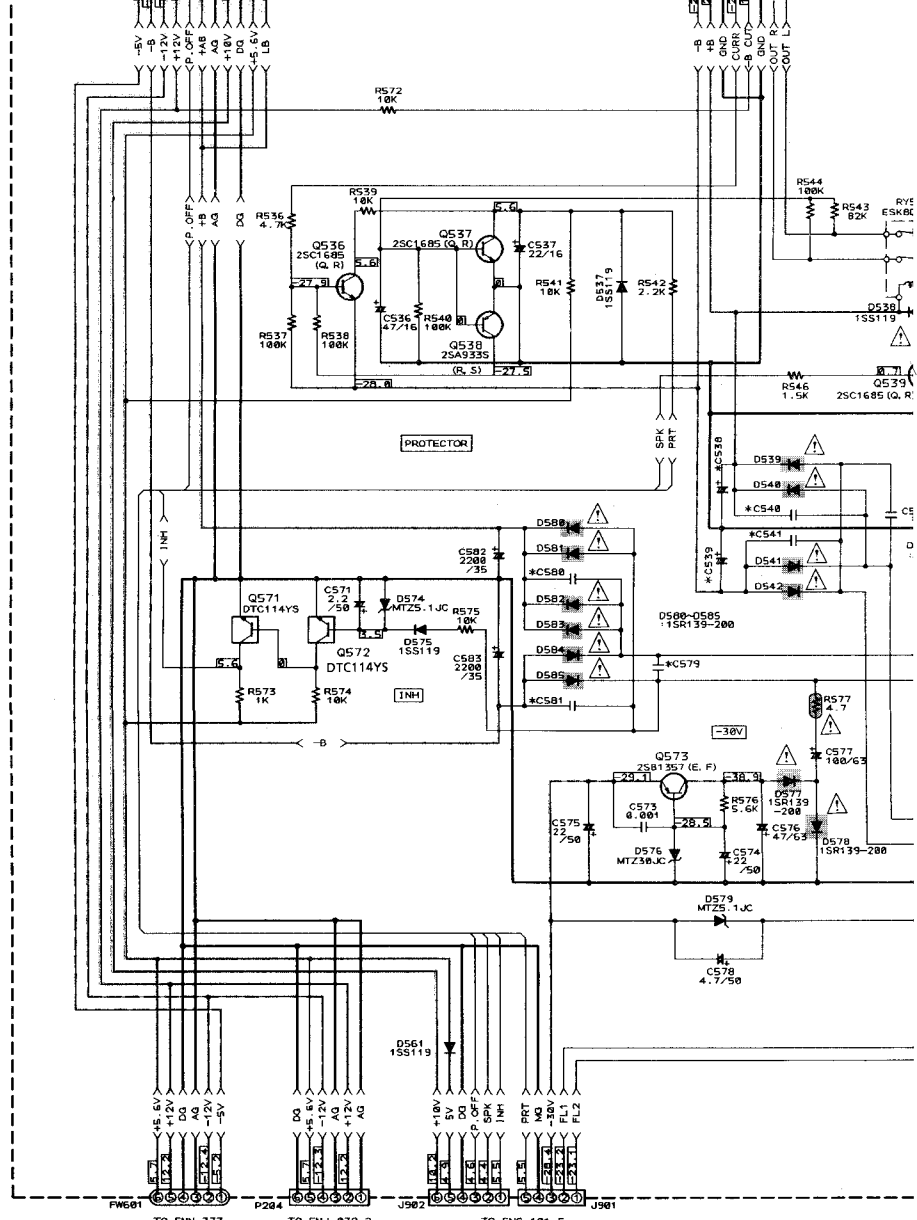
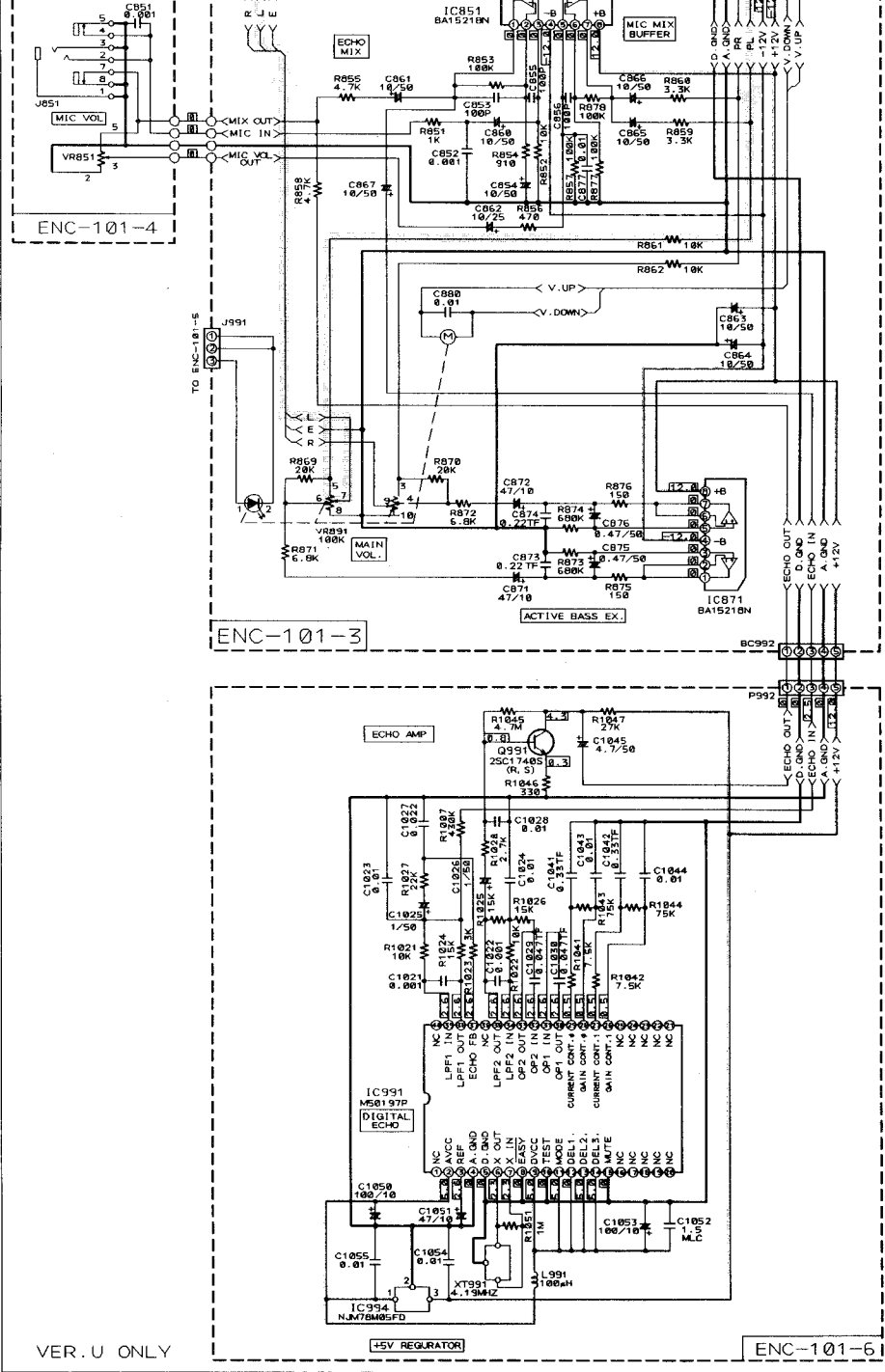
MIC AMP  
IC851 BA1521BN

MIC MIX BUFFER  
IC891

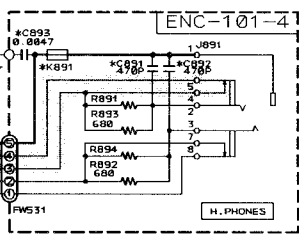
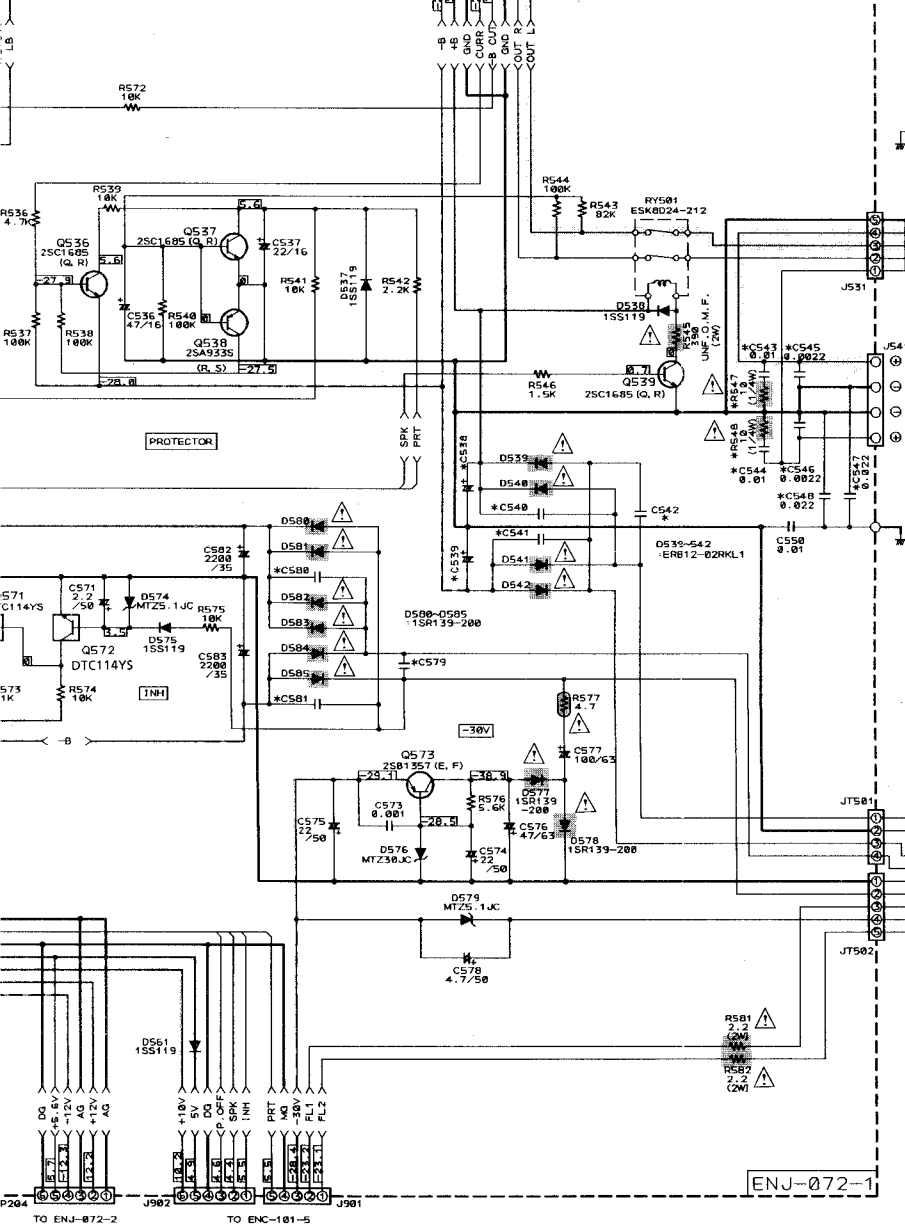
ENC-101-5  
TO ENC-101-5

ENC-101-6  
TO ENC-101-6

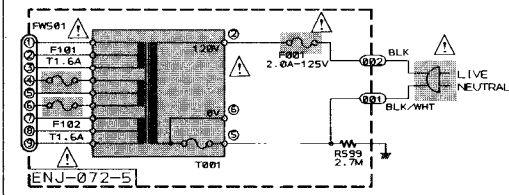








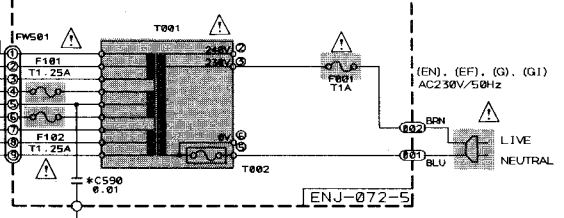
(J), (C) FOR U. S. A. /CANADA AC 120V/60Hz



\* MARK LIST

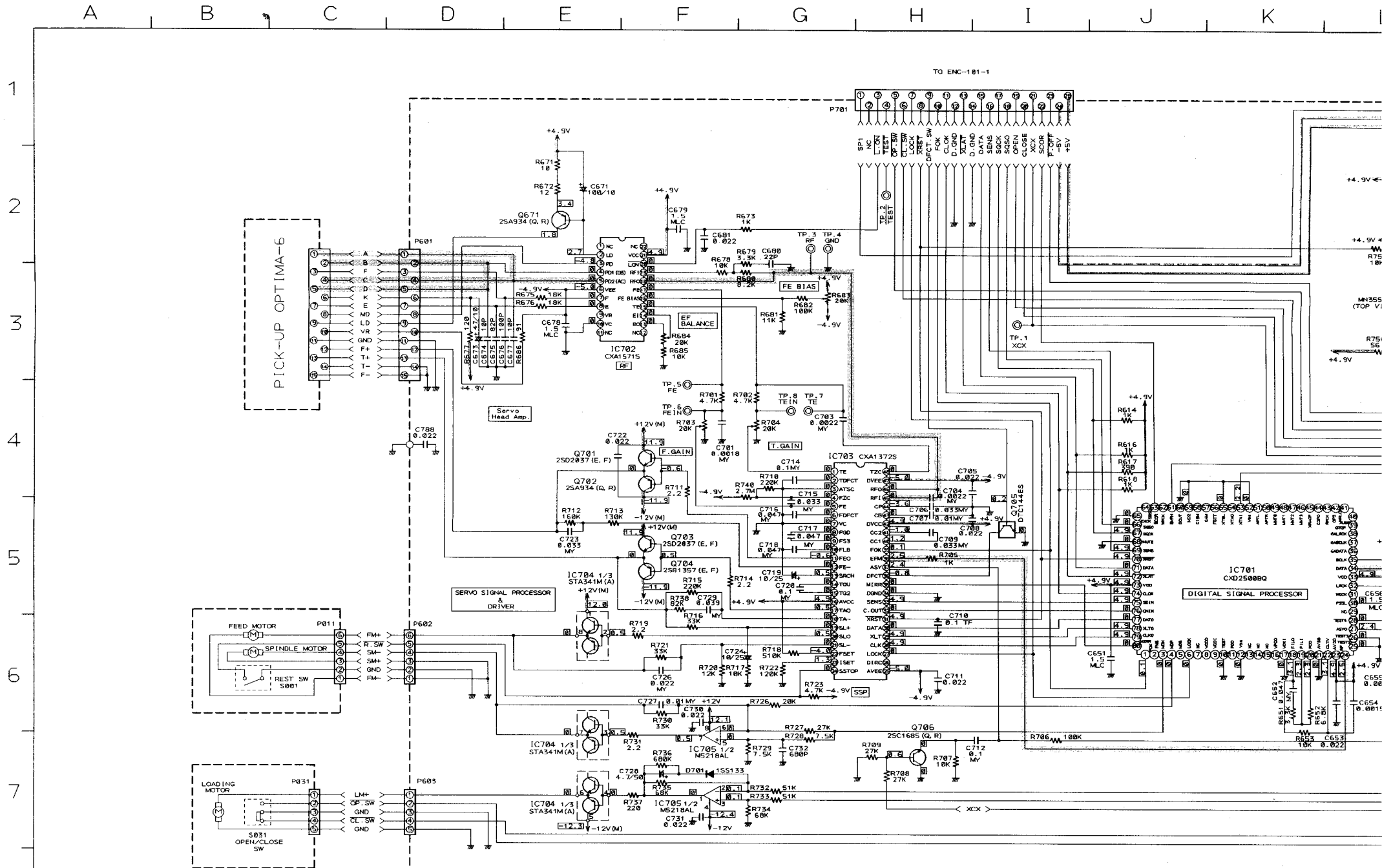
SYMBOL	J. C	U. UT	EN, EF, A. V, VX, BS	G, G1
C583, 504	USED	USED	USED	NONE
C538, 539	3500/42	2200/42	2200/42	2200/42
C548-542	0.01µF	0.01µF	0.01µF	0.1µF
C543, 544	NONE	NONE	NONE	USED
C545, 546	NONE	NONE	NONE	USED
C547, 548	NONE	NONE	NONE	USED
C579-581	0.01µF	0.01µF	0.01µF	0.22µF
C590	NONE	NONE	NONE	USED
C868, 870	NONE	NONE	NONE	USED
C891, 892	NONE	NONE	NONE	USED
C893	NONE	NONE	NONE	USED
R517, 518	UNF. C.	UNF. F.	UNF. F.	UNF. F.
R547, 548	NONE	NONE	NONE	USED
R561, 562	UNF. C.	UNF. F.	UNF. F.	UNF. F.
R598	UNF. C.	UNF. F.	UNF. F.	UNF. F.
K891	SHORT	SHORT	SHORT	USED

(EN, EF) FOR CONTINENTAL EUROPE.  
(G) FOR F. R. GERMANY. (G1) FOR ITALY: 230V/50Hz.



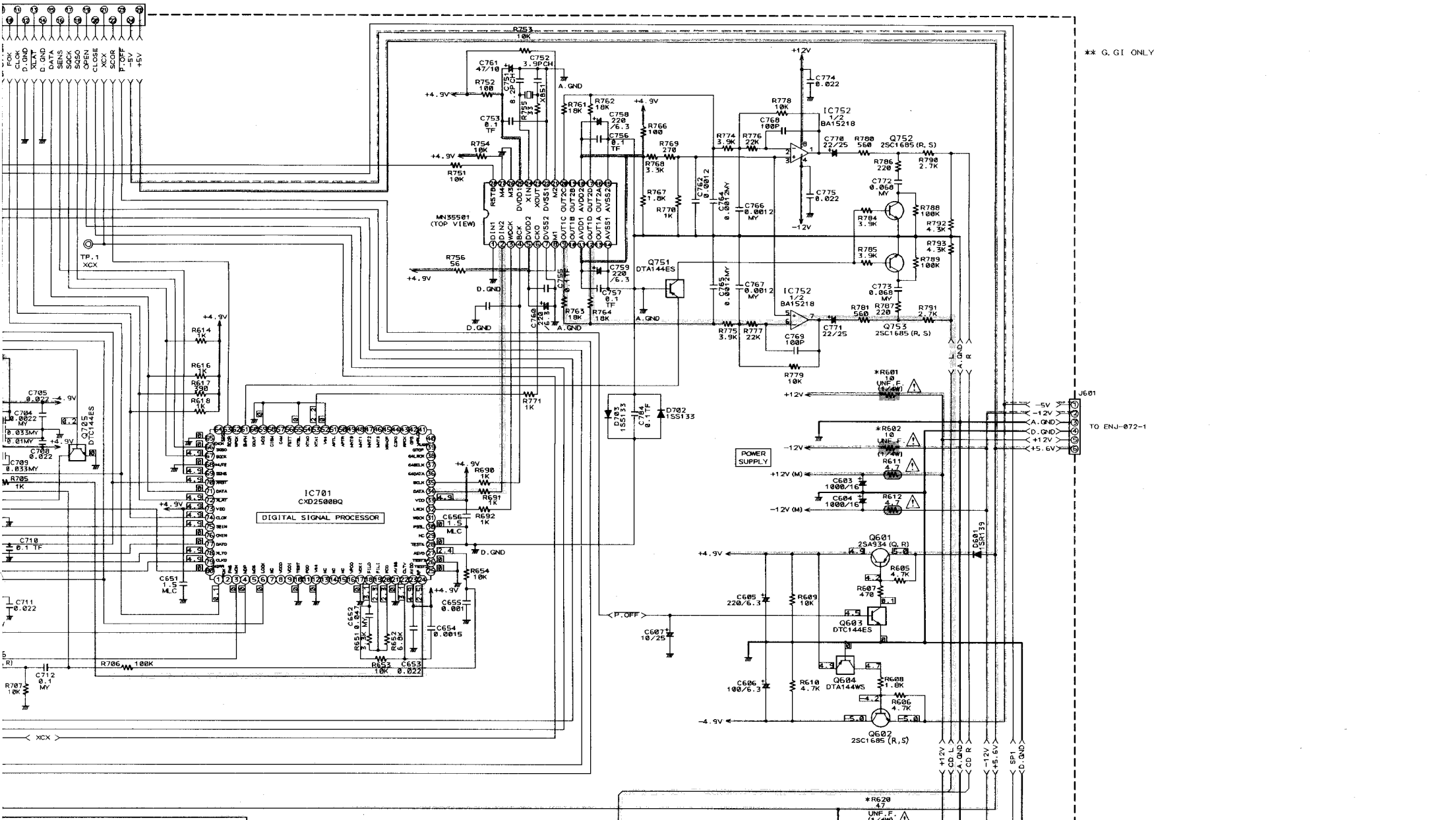
TO ENJ-872-2 TO ENJ-101-5

(3) CD & Source Selector Section



I J K L M N O P Q R S T

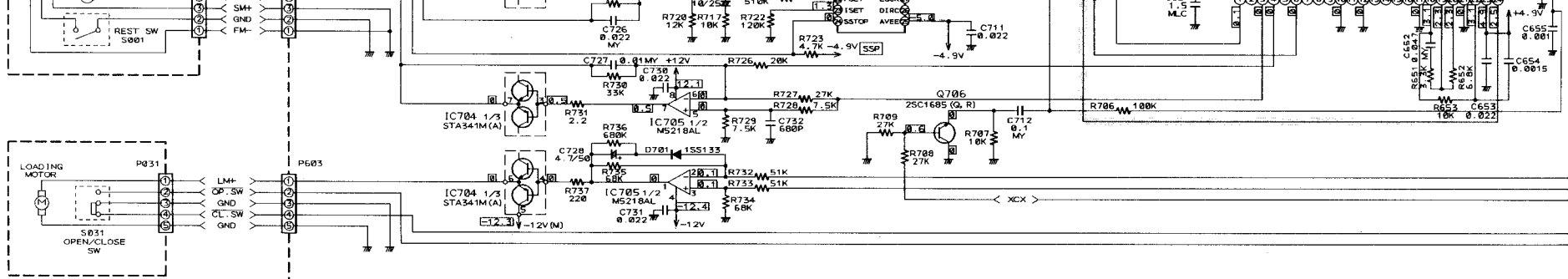
TO ENC-101-1



\*\* G. GI ONLY

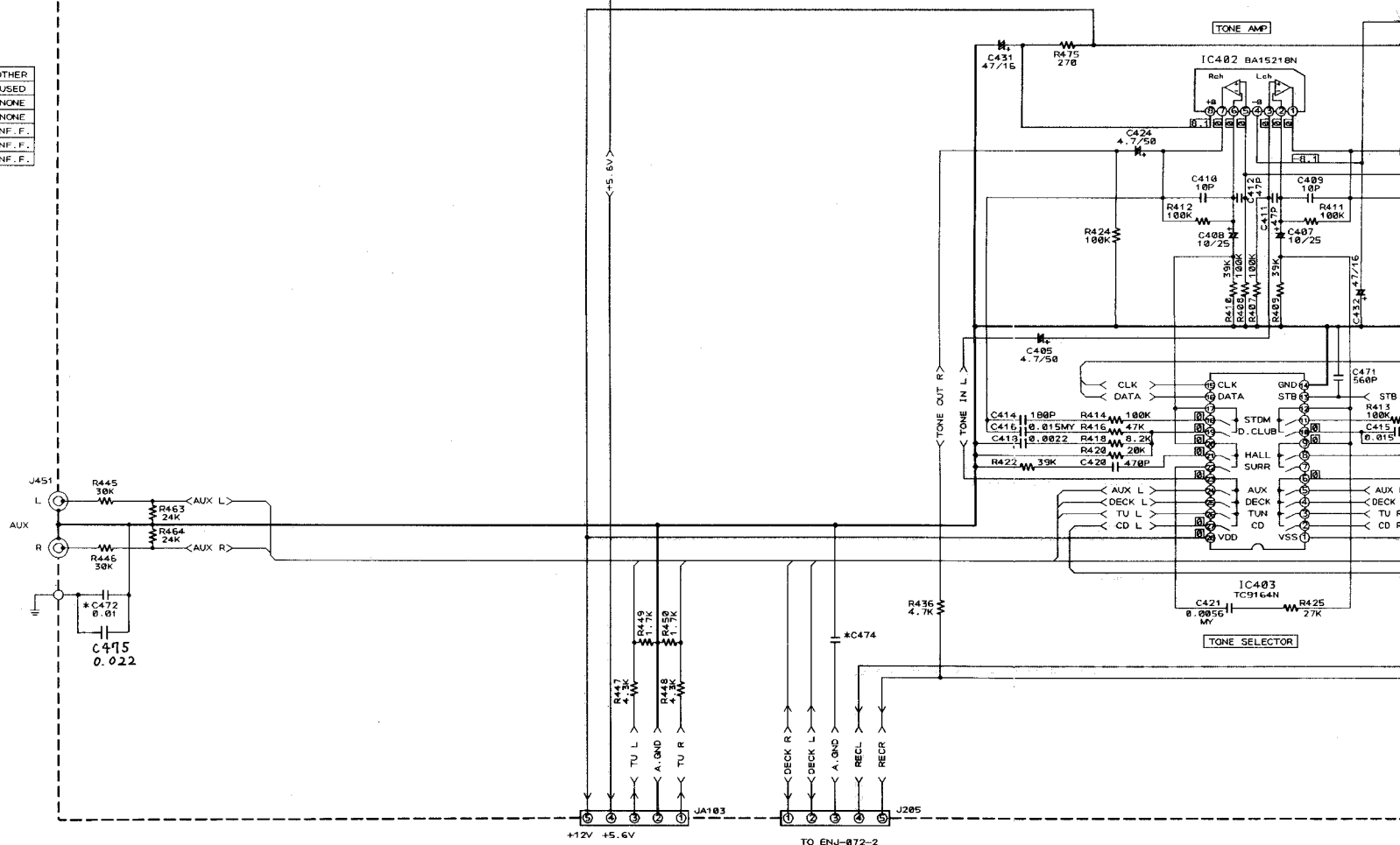
TO ENJ-072-1

\*R620  
UNF. F  
47

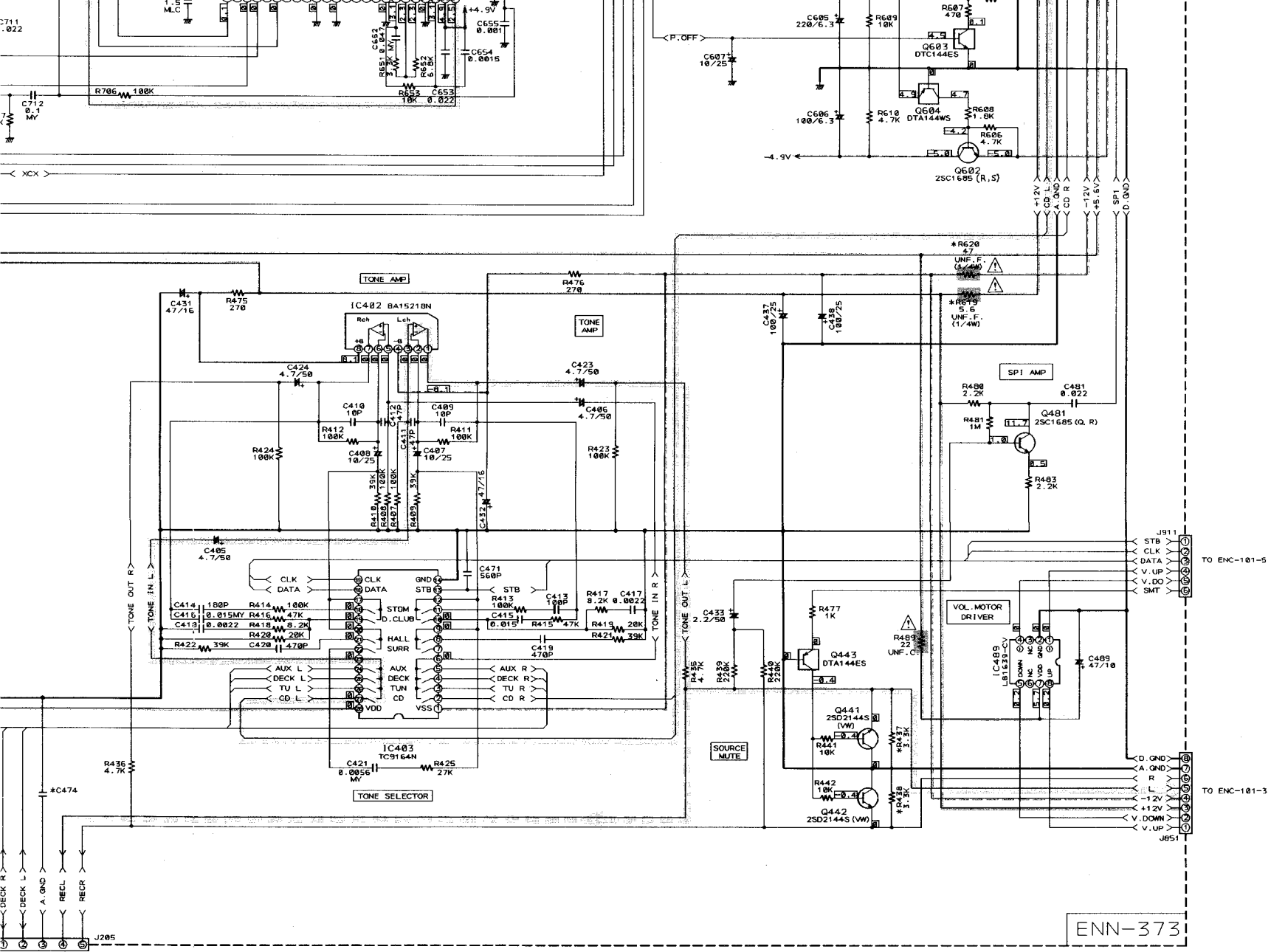


\* MARK

	U, UT	G, GI	J, C	OTHER
R437, 438	NONE	USED	USED	USED
C472	NONE	0.022	NONE	NONE
C474	NONE	0.022	NONE	NONE
R601, 602	UNF. F.	UNF. F.	UNF. C.	UNF. F.
R619	UNF. F.	UNF. F.	UNF. C.	UNF. F.
R620	UNF. F.	UNF. F.	UNF. C.	UNF. F.

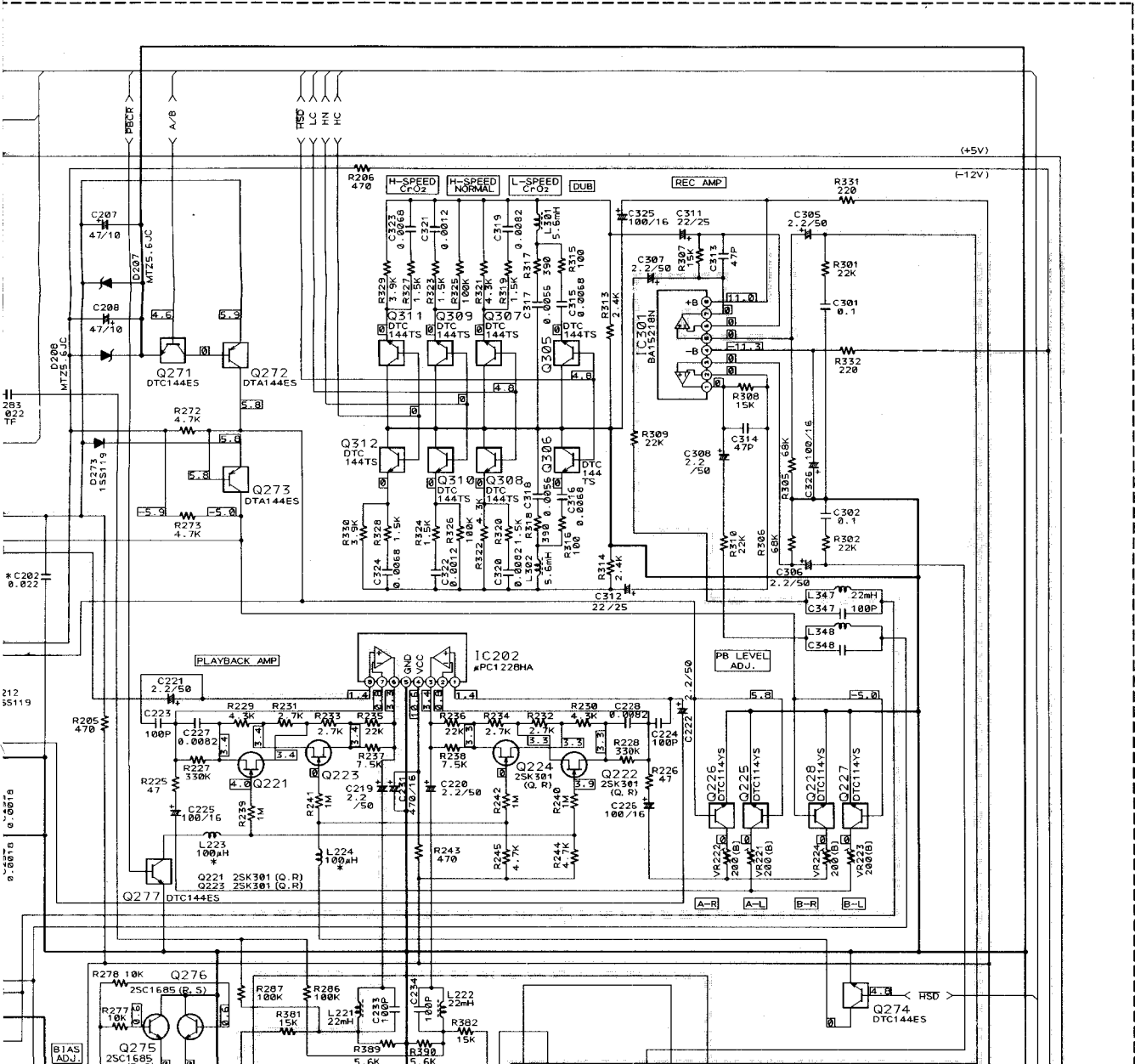


6  
7  
8  
9  
10  
11  
12  
13  
14

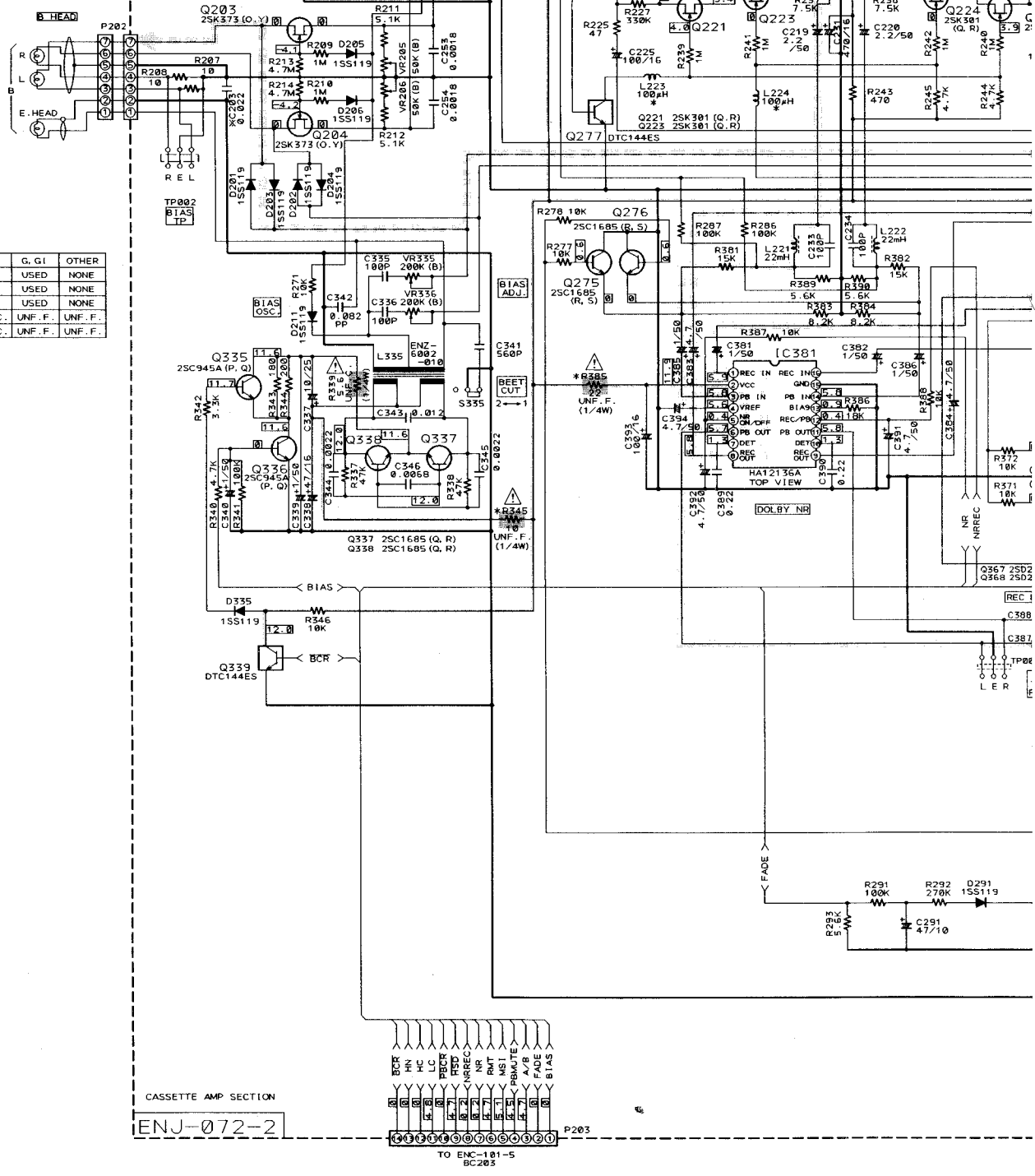


ENN-373





6  
7  
8  
9  
10  
11  
12  
13  
14

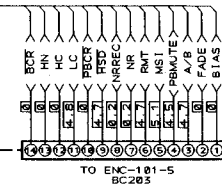


\* MARK LIST

SYMBOL	J. C.	G. G.I.	OTHER
C202	NONE	USED	NONE
C203	NONE	USED	NONE
L223, 224	NONE	USED	NONE
R345	UNF. C.	UNF. F.	UNF. F.
R385	UNF. C.	UNF. F.	UNF. F.

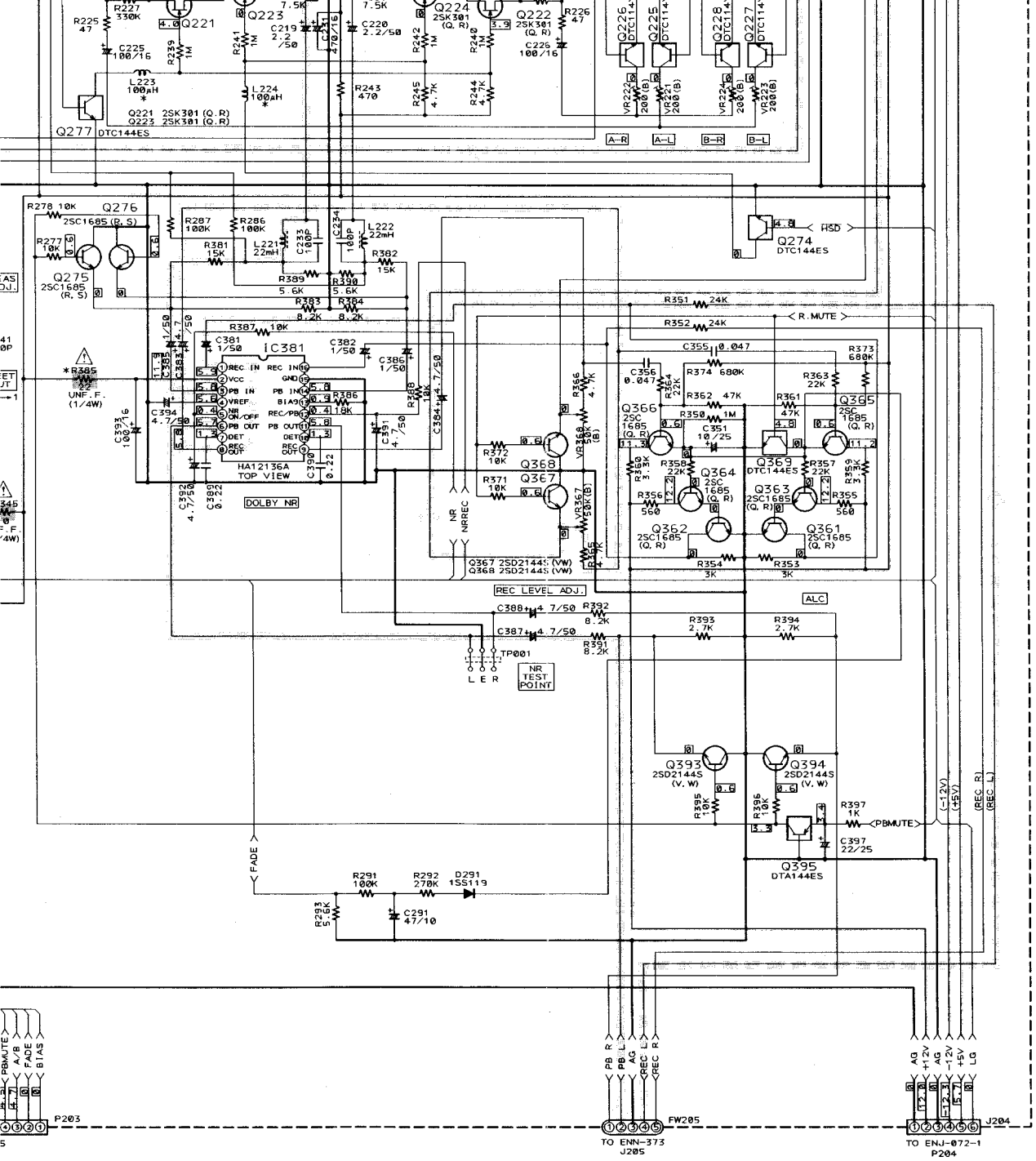
CASSETTE AMP SECTION

ENJ-072-2



TO ENC-101-5  
BC203





P203

FW205

J204

TO ENN-373  
J205

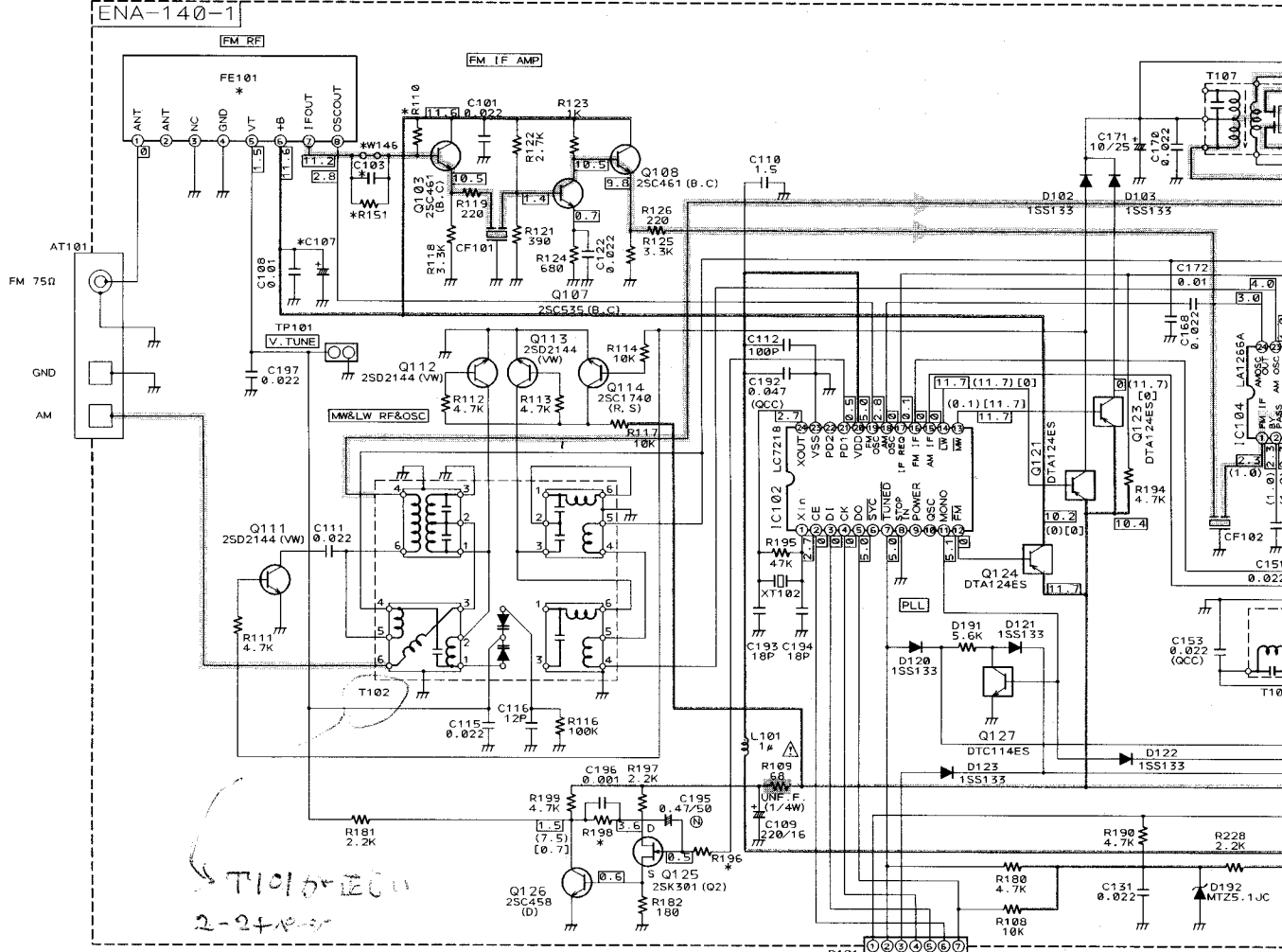
TO ENJ-072-1  
P204

**(5) Tuner Section (with LW)**

A B C D E F G H I J

1  
2  
3  
4  
5  
6  
7  
8  
9  
10  
11  
12  
13

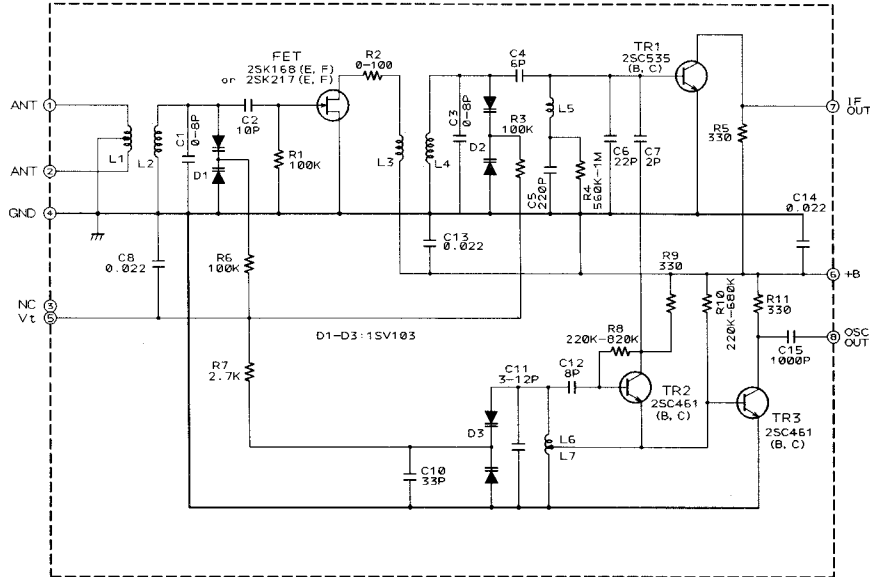
FOR EN, EF, BS, G, GI, VX



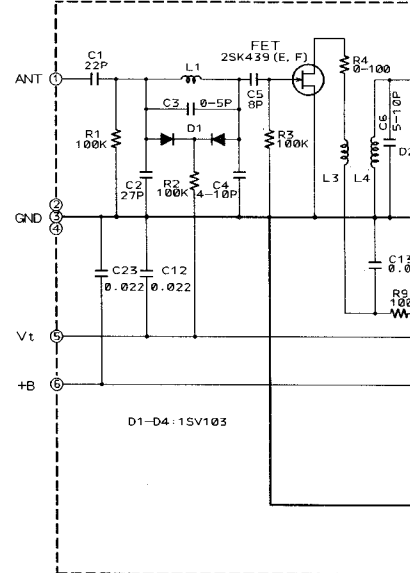
T1010-1200  
2-24-80

EQR7121-002 HO-1147-2012R

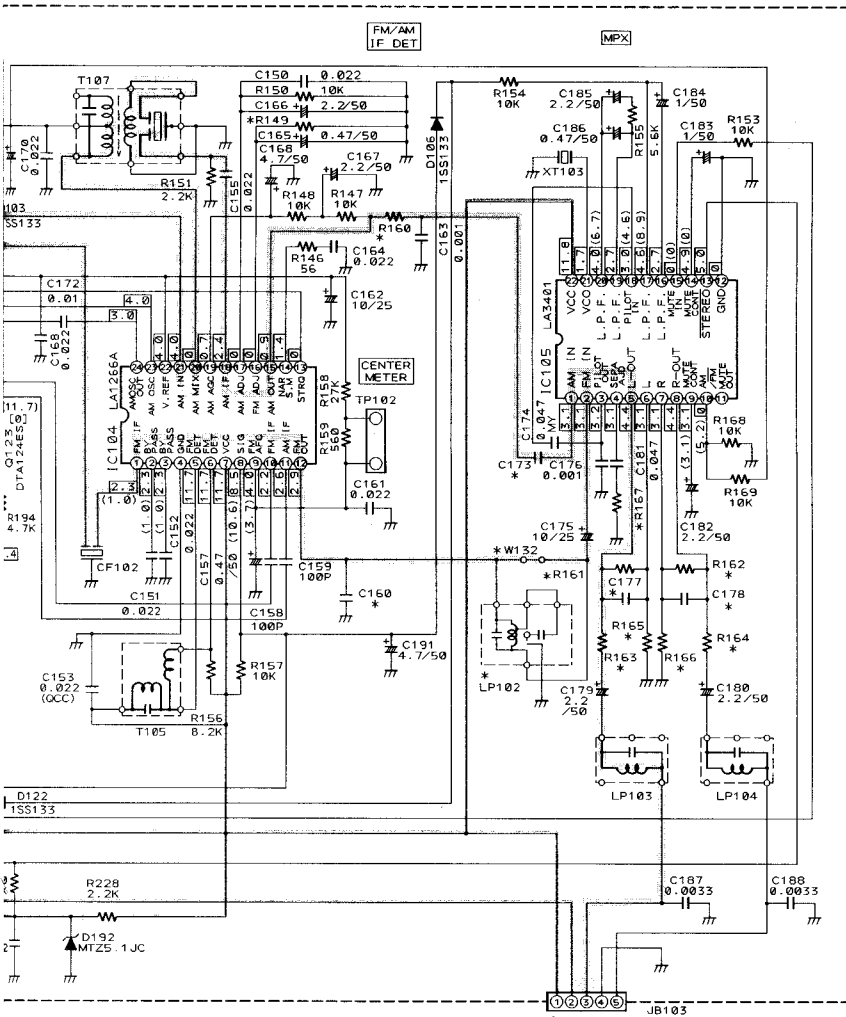
FE101  
EAF2203-001 (FOR EN, EF, BS)



FE101  
EAF2203-003 (FOR G, GI)



J K L M N O P Q R S T

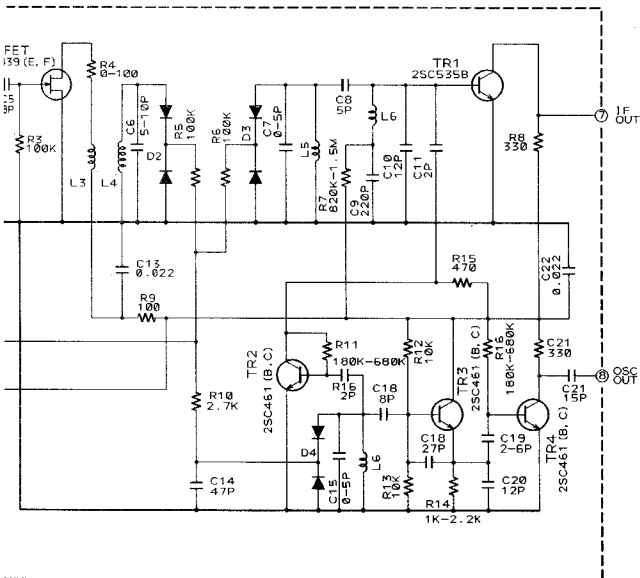


\* MARK

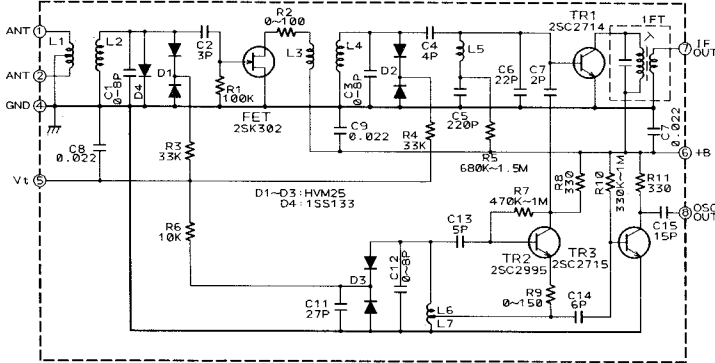
	EN, EF	G, GI	BS	VX
R160	10K	10K	1K	10K
R161, 162	100K	100K	68K	100K
R163, 164	3.9K	3.9K	3.9K	3.9K
R165, 166	270K	270K	270K	270K
R167	47K	47K	47K	47K
R196	2.2K	2.2K	2.2K	2.2K
R198	8.2K	8.2K	8.2K	8.2K
C160	100P	220P	100P	100P
C173	0.022	0.022	0.022	0.022
C177, 178	560P	560P	820P	560P
FE101	EAF2203-001	EAF2203-003	EAF2203-001	EAF2203-001
LP102	NONE	USED	NONE	NONE
W132	USED	NONE	USED	USED
R149	27K	27K	27K	15K
R110	NONE	NONE	NONE	47K
C103	NONE	NONE	NONE	0.01
W146	USED	NONE	USED	NONE
C107	NONE	22/16	NONE	NONE
R151	NONE	100	NONE	NONE

- FM AUTO NO SIGNAL
- ( ) 1M NO SIGNAL
- [ ] LW NO SIGNAL

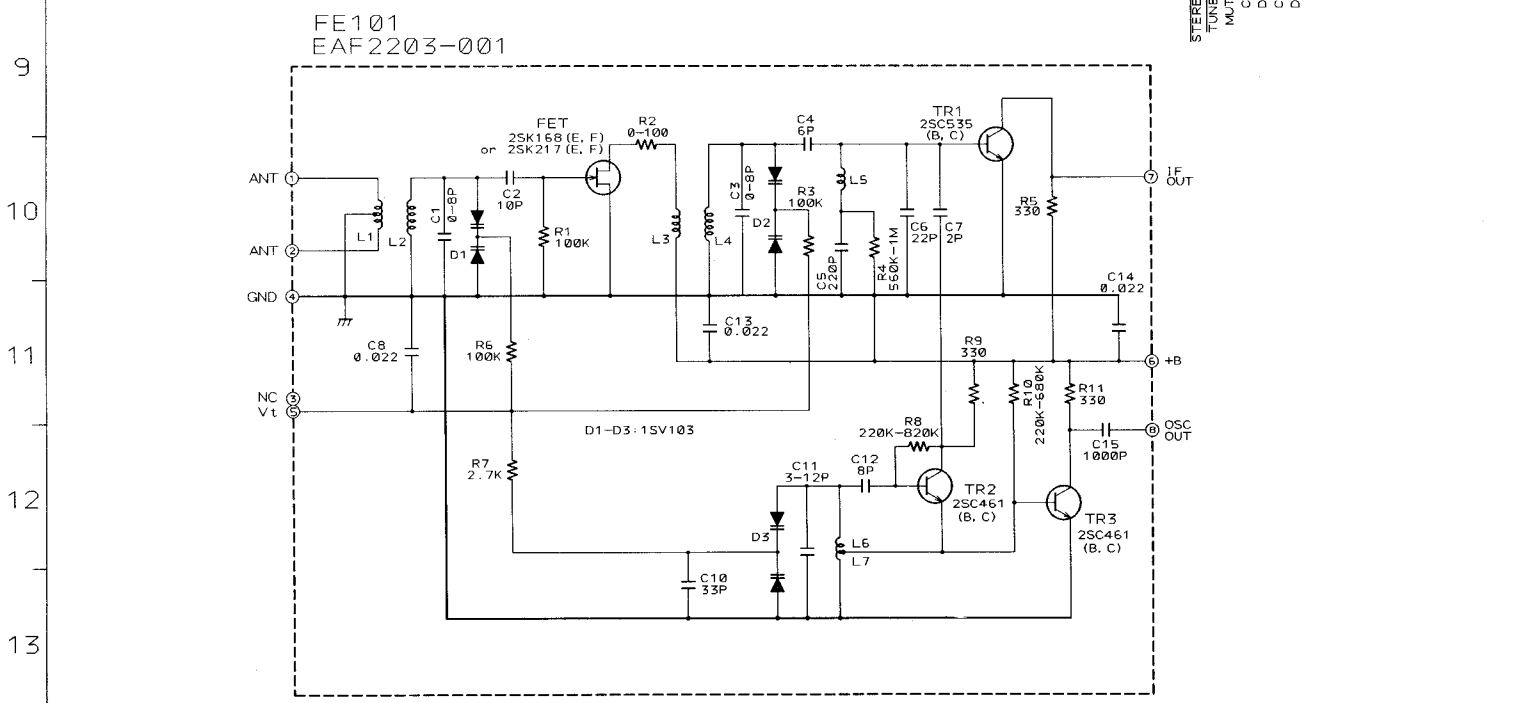
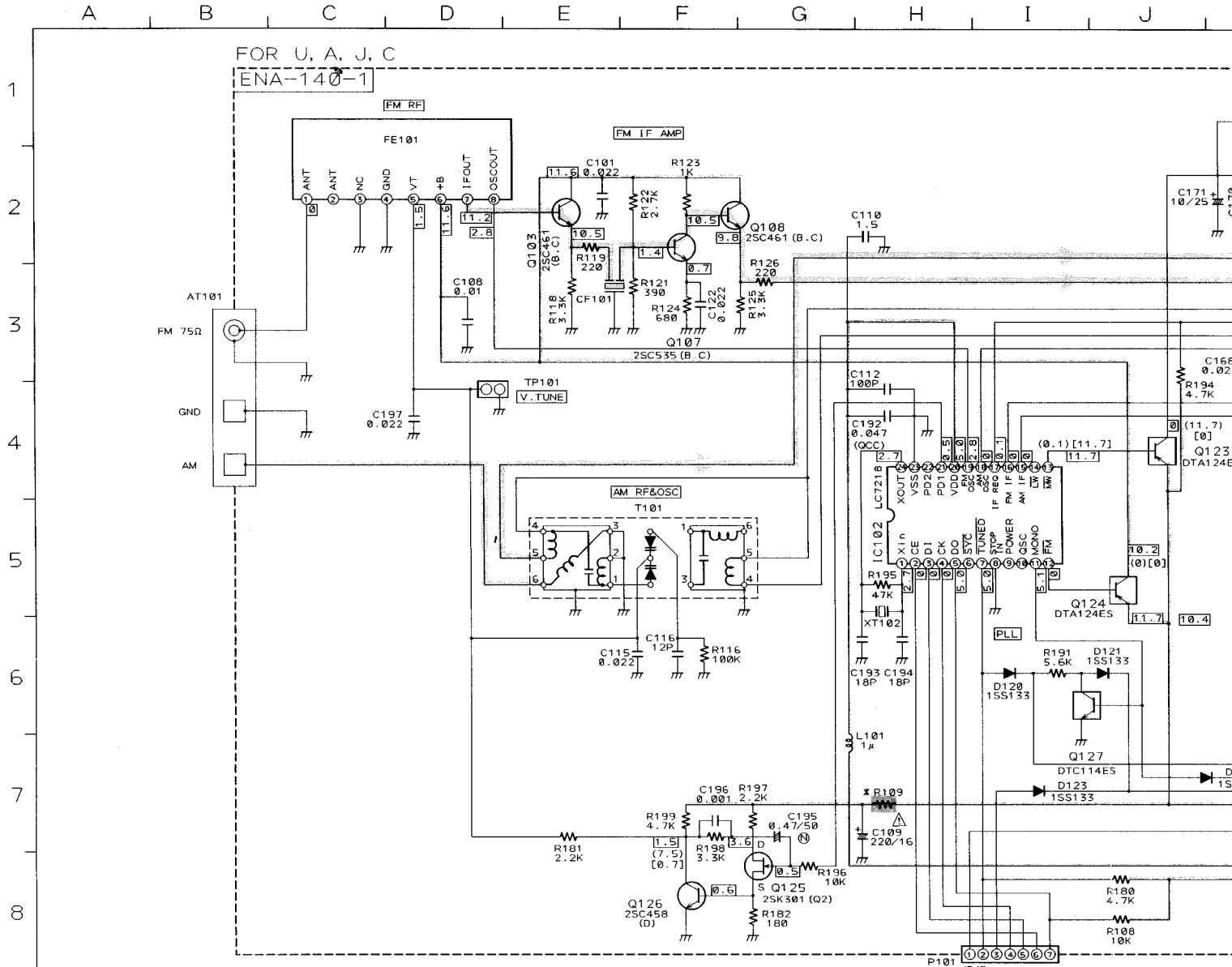
(FOR G, GI)

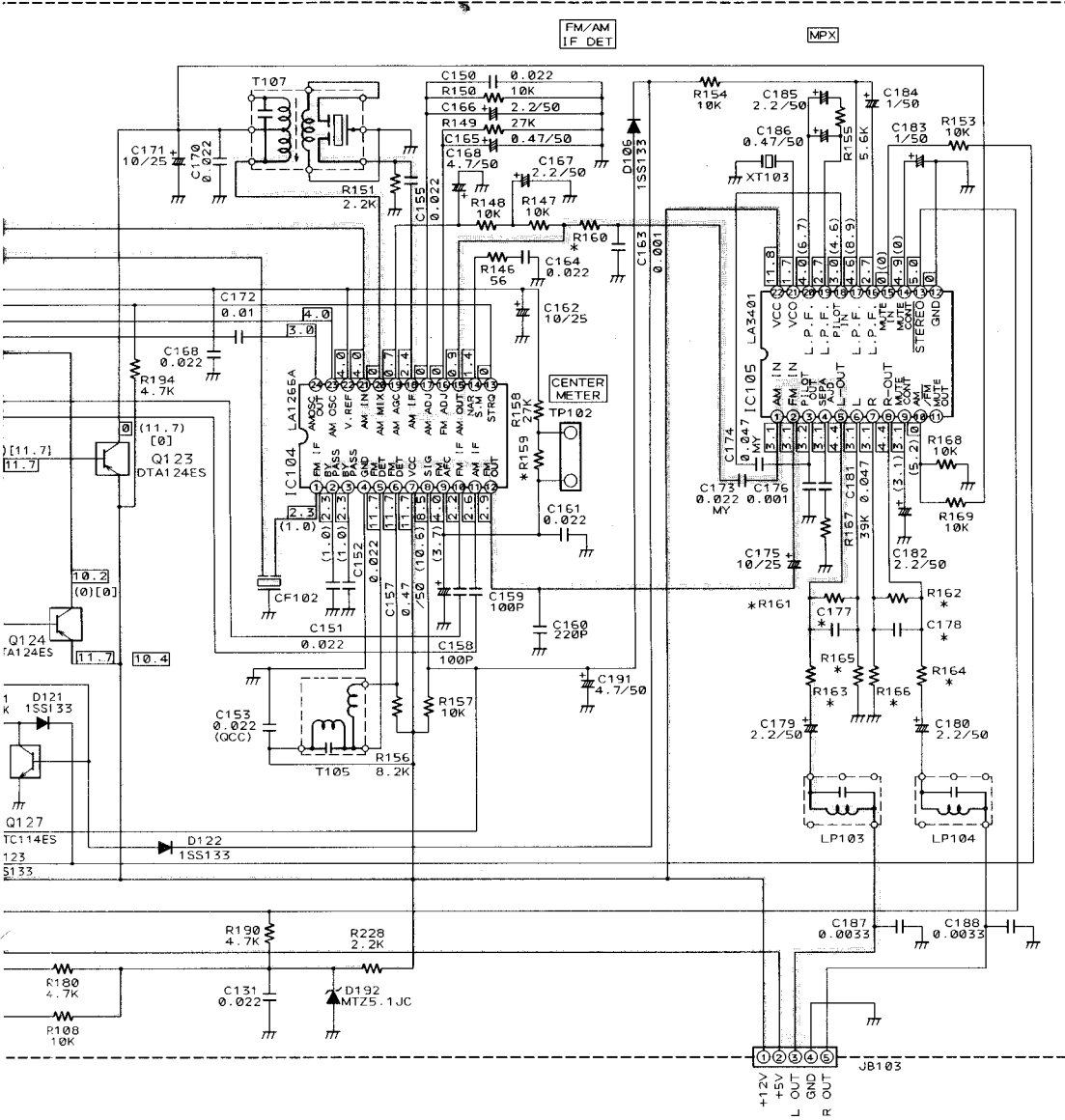


FE101  
EAF2302-001 (FOR VX)



(6) Tuner Section (without LW)



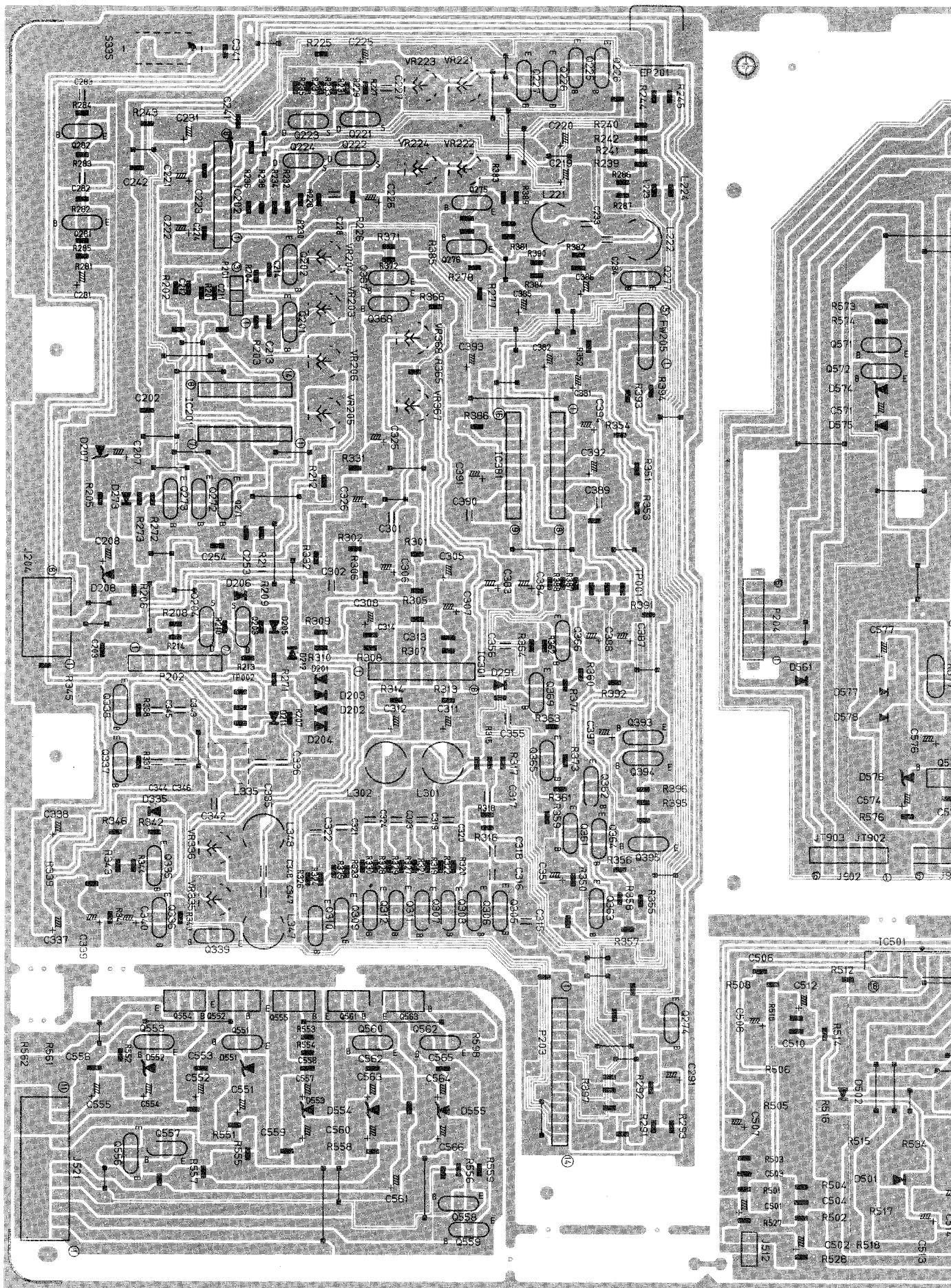


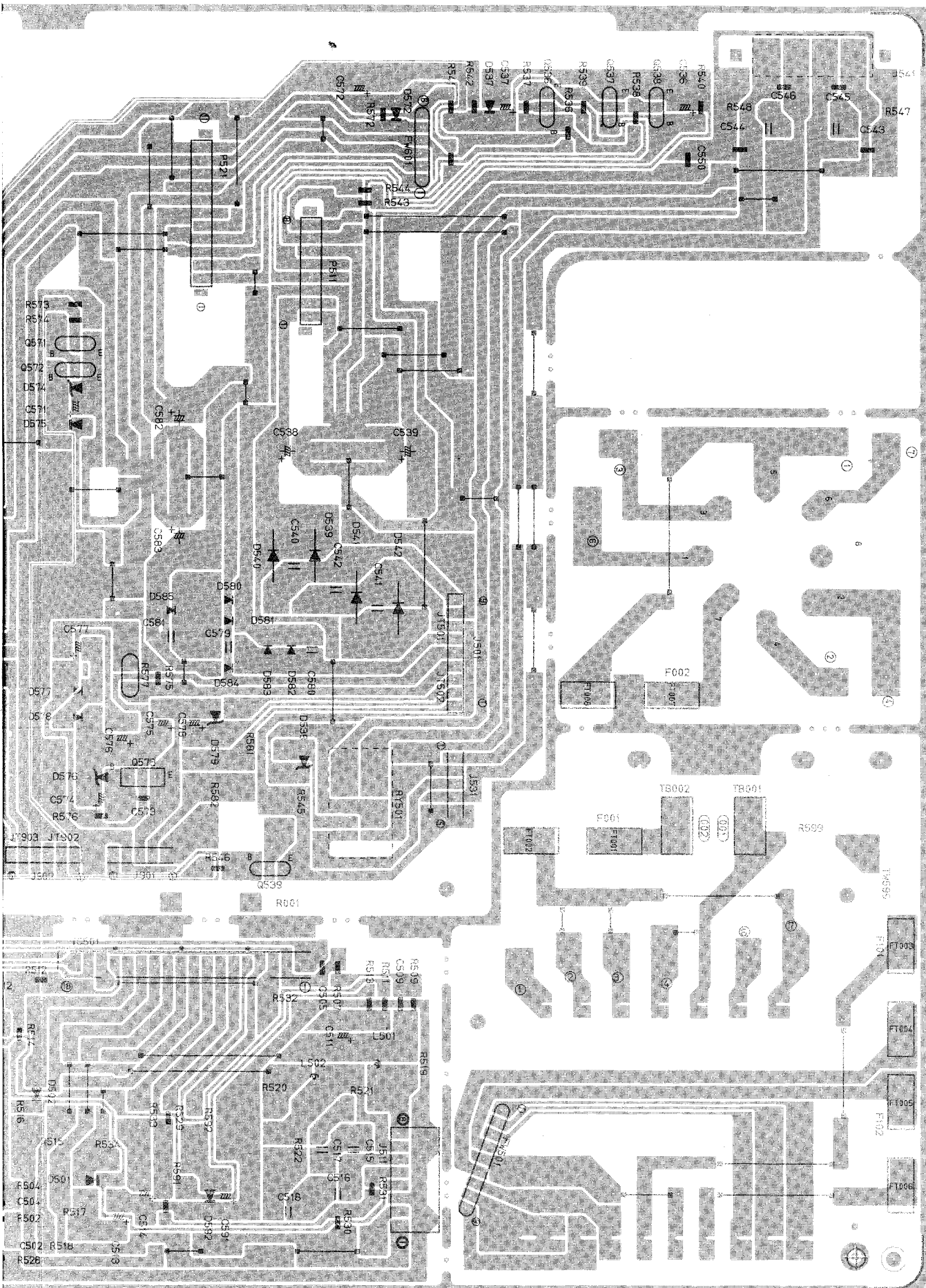
\* MARK

	U	A	J, C
R109	68 UNF. F. (1/4W)	68 UNF. F. (1/4W)	68 UNF. C. (1/4W)
R159	27K	27K	15K
R160	5.6K	10K	5.6K
R161, 162	82K	100K	82K
R163, 164	4.7K	3.3K	4.7K
R165, 166	180K	270K	180K
C177, 178	820P	560P	820P

□ FM AUTO NO SIGNAL  
( ) MW NO SIGNAL

(2) Power Supply & Deck CB (ENJ-072)





# PARTS LIST

**Note :** All printed circuit boards and its assemblies are not available as service parts.

## Contents

General Exploded View and Parts List .....	2-2
Cassette Mechanism Ass'y and Parts List .....	2-9
CD Mechanism Ass'y and Parts List .....	2-12
Printed Circuit Board Ass'y and Parts List .....	2-14
■ ENJ-072 <input type="checkbox"/> Power Supply & Deck PC Board Ass'y .....	2-14
■ ENC-101 <input type="checkbox"/> Front & Deck Controller PC Board Ass'y .....	2-18
■ ENA-140 <input type="checkbox"/> Tuner PC Board Ass'y .....	2-21
■ ENN-373 <input type="checkbox"/> CD & Source Selector PC Board Ass'y .....	2-24
Accessories List .....	2-27
Packing Materials and Part Numbers .....	2-29



# General Exploded View and Parts List

## Parts List

Item	Part Number	Part Name	Q'ty	Description	Areas
1	EFP-CAMXS2BKJ(S	FRONT PANEL ASSY	1		J
	EFP-CAMXS2BKE(S	FRONT PANEL ASSY	1		C
	EFP-CAMXS2BKE(S	FRONT PANEL ASSY	1		A
	EFP-CAMXS2BKE(S	FRONT PANEL ASSY	1		BS
	EFP-CAMXS2BKE(S	FRONT PANEL ASSY	1		EF
	EFP-CAMXS2BKE(S	FRONT PANEL ASSY	1		EN
	EFP-CAMXS2BKE(S	FRONT PANEL ASSY	1		G
	EFP-CAMXS2BKE(S	FRONT PANEL ASSY	1		GI
	EFP-CAMXS2BKE(S	FRONT PANEL ASSY	1		VX
	EFP-CAMXS2BKU(S	FRONT PANEL ASSY	1		U
1-1	EFP-CAMXS2BKU(S	FRONT PANEL ASSY	1		UT
	E102675-001SS	FRONT PANEL	1		U
	E102675-001SS	FRONT PANEL	1		UT
	E102675-002SS	FRONT PANEL	1		J
	E102675-002SS	FRONT PANEL	1		C
	E102675-002SS	FRONT PANEL	1		A
	E102675-002SS	FRONT PANEL	1		BS
	E102675-002SS	FRONT PANEL	1		EF
	E102675-002SS	FRONT PANEL	1		EN
	E102675-002SS	FRONT PANEL	1		G
1-2	E102675-002SS	FRONT PANEL	1		GI
	E102675-002SS	FRONT PANEL	1		VX
	E308399-001SS	WINDOW SCREEN	1		C
	E308399-001SS	WINDOW SCREEN	1		A
	E308399-001SS	WINDOW SCREEN	1		BS
	E308399-001SS	WINDOW SCREEN	1		EF
	E308399-001SS	WINDOW SCREEN	1		EN
	E308399-001SS	WINDOW SCREEN	1		G
	E308399-001SS	WINDOW SCREEN	1		GI
	E308399-001SS	WINDOW SCREEN	1		VX
1-3	E308399-001SS	WINDOW SCREEN	1		U
	E308399-001SS	WINDOW SCREEN	1		UT
	E308399-002SS	WINDOW SCREEN	1		J
	E69777-003	REFLECTION PLATE	2		
1-4	E75130-008SS	FL SCREEN	1		J
1-5	E406971-221	JVC MARK	1		
2	E207554-002SA	CASSETTE LID ASSY	1	DECK A	
2-1	E207554-002	CASSETTE LID	1	DECK A	
2-2	E406971-221	JVC MARK	1	DECK A	
3	E207557-002SS	CASSETTE LID ASSY	1	DECK B	
4	E207560-002SS	CASSETTE HOLDER	1	DECK A	
5	E207561-002SS	CASSETTE HOLDER	1	DECK B	
6	E407269-002	EJECT SPRING	2		
7	E406713-001	CASSETTE SPRING	4		
8	E102358-332SS	CD TRAY	1		
9	E207534-002SS	FITTING	1		
10	SBSF3008M	SCREW	3		
11	E304434-002	DAMPER ASSY	2		
12	E308161-001SS	EJECT BUTTON	1	DECK B	
13	E75737-008	BALANCE KNOB	1		U
14	E75737-008	BALANCE KNOB	1		UT
15	E308414-001SS	VOLUME KNOB	1		
16	E207856-001SS	PUSH BUTTON ASSY	1	TUNNING / PRESET	
17	E207855-001SS	PUSH BUTTON ASSY	1	OPEN / CLOSE , SEARCH	
17	E308169-002	CIRCUIT BOARD BRACKET	1		

△	Item	Part Number	Part Name	Q'ty	Description	Areas
	18	SDSF2608Z	SCREW	22		
	19	E207536-003SS	PUSH BUTTON ASSY	1	CD PLAY	
	20	E207774-001SS	PUSH BUTTON	1	BAND	J
		E207774-001SS	PUSH BUTTON	1	BAND	C
		E207774-001SS	PUSH BUTTON	1	BAND	A
		E207774-001SS	PUSH BUTTON	1	BAND	U
		E207774-001SS	PUSH BUTTON	1	BAND	UT
		E207774-002SS	PUSH BUTTON	1	BAND , MW / LW	BS
		E207774-002SS	PUSH BUTTON	1	BAND , MW / LW	EF
		E207774-002SS	PUSH BUTTON	1	BAND , MW / LW	EN
		E207774-002SS	PUSH BUTTON	1	BAND , MW / LW	G
		E207774-002SS	PUSH BUTTON	1	BAND , MW / LW	GI
		E207774-002SS	PUSH BUTTON	1	BAND , MW / LW	VX
	21	E407210-001	REMOTE LENS	1		
	22	E407411-001SS	INDICATOR LENS	2		
	23	E207778-001SS	PUSH BUTTON	1	DECK	
	24	E308411-001SS	PUSH BUTTON	1	POWER	
	25	E407410-001SS	PUSH BUTTON	1		
	26	E308160-001SS	EJECT BUTTON	1	DECK A	
	27	SBST3008Z	SCREW	3		
	28	SBST3006M	SCREW	4		
	29	E75896-002	SPACER	2	FRONT FOOT	
	30	EWR617K-30TTJ2	FLAT WIRE	1		
	31	EWR125K-13TT	FLAT WIRE	1		
	32	E308402-001SS	STAY BRACKET	1		
	33	E207567-001SS	HOLDER BRACKET	1		
	34	E308162-002SS	EJECT LEVER	2		
	35	E407214-001	SPECIAL SCREW	4		
	36	GBSF3008Z	SCREW	2		
	37	-----	CASSETTE MECHANISM ASSY	1	SEE PAGE 2-9	
	38	SBSF3010C	SCREW	4		
	39	SBST3008C	SCREW	4		
	40	SBSG3008N	SCREW	13		
		SBSG3008N	SCREW	1		U
		SBSG3008N	SCREW	1		UT
	41	E102616-003SS	CHASSIS BASE	1		
	42	E75896-006	FELT SPACER	2	REAR FOOT	
	43	E306805-078	FELT SPACER	2		G
		E306805-078	FELT SPACER	2		GI
	44	E308167-001SS	STAY BRACKET	1		
	45	E102617-001	CHASSIS BASE	1		
	46	-----	CD MECHANISM ASSY	1	SEE PAGE 2-12	
	47	EWS265-B408	SOCKET WIRE	1	5PIN	
	48	SBST3006Z	SCREW	3		
	49	EWR615M-14BBJ2	FLAT WIRE	1	15PIN	
	50	EWS266-B412	SOCKET WIRE	1	6PIN	
	51	E406293-002	SPECIAL SCREW	1		
	52	E306837-005	CLAMPER ASSY	1		
	52-1	E306836-003	YOKE PLATE	1		
	52-2	E74897-002	MAGNET	1		
	52-3	E26756-002	CLAMPER BASE	1		
	52-4	E306835-001	CD CLAMPER	1		
	53	E207564-001	METAL COVER	1		
	54	SDSG3006M	SCREW	6		
	55	E308522-026	RATING LABEL	1		UT

Item	Part Number	Part Name	Q'ty	Description	Areas
56	SBSG3014Z	SCREW	4		
57	E406969-221	LEAF SPRING	1		
58	E307908-001SS	HEAT SINK	1		
59	ETP1070-33JAJ	POWER TRANSFORMER	1		J
	ETP1070-33JAJ	POWER TRANSFORMER	1		C
	ETP1070-33EAJ	POWER TRANSFORMER	1		A
	ETP1070-33EAJ	POWER TRANSFORMER	1		EF
	ETP1070-33EAJ	POWER TRANSFORMER	1		EN
	ETP1070-33EAJ	POWER TRANSFORMER	1		G
	ETP1070-33EAJ	POWER TRANSFORMER	1		GI
	ETP1070-33EAJ	POWER TRANSFORMER	1		VX
	ETP1070-33EAJBS	POWER TRANSFORMER	1		BS
	ETP1070-33FAJ	POWER TRANSFORMER	1		U
	ETP1070-33FAJ	POWER TRANSFORMER	1		UT
60	E65389-004	SPECIAL SCREW	4		
61	QMF0007-1R6J1	FUSE	2	F101, F102 (T1.6A / 125V)	J
	QMF0007-1R6J1	FUSE	2	F101, F102 (T1.6A / 125V)	C
	QMF51E2-1R25J1	FUSE	2	F101, F102 (T1.25A / 250V)	A
	QMF51E2-1R25J1	FUSE	2	F101, F102 (T1.25A / 250V)	EF
	QMF51E2-1R25J1	FUSE	2	F101, F102 (T1.25A / 250V)	EN
	QMF51E2-1R25J1	FUSE	2	F101, F102 (T1.25A / 250V)	G
	QMF51E2-1R25J1	FUSE	2	F101, F102 (T1.25A / 250V)	GI
	QMF51E2-1R25J1	FUSE	2	F101, F102 (T1.25A / 250V)	U
	QMF51E2-1R25J1	FUSE	2	F101, F102 (T1.25A / 250V)	UT
	QMF51E2-1R25J1	FUSE	2	F101, F102 (T1.25A / 250V)	VX
	QMF51E2-1R2J1BS	FUSE	2	F101, F102 (T1.2A / 250V)	BS
62	QMF0007-2R0J1	FUSE	1	F001 (T2.0A / 125V)	J
	QMF0007-2R0J1	FUSE	1	F001 (T2.0A / 125V)	C
	QMF51E2-1R0J1	FUSE	1	F001 (T1.0A / 250V)	A
	QMF51E2-1R0J1	FUSE	1	F001 (T1.0A / 250V)	EF
	QMF51E2-1R0J1	FUSE	1	F001 (T1.0A / 250V)	EN
	QMF51E2-1R0J1	FUSE	1	F001 (T1.0A / 250V)	G
	QMF51E2-1R0J1	FUSE	1	F001 (T1.0A / 250V)	GI
	QMF51E2-1R0J1	FUSE	1	F001 (T1.0A / 250V)	VX
	QMF51E2-1R0J1BS	FUSE	1	F001 (T1.0A / 250V)	BS
	QMF51E2-2R0J1	FUSE	1	F001 (T2.0A / 250V)	U
	QMF51E2-2R0J1	FUSE	1	F001 (T2.0A / 250V)	UT
63	QMF51E2-1R0J1	FUSE	1	F002 (T1.0A / 250V)	U
	QMF51E2-1R0J1	FUSE	1	F002 (T1.0A / 250V)	UT
64	E207780-004SS	REAR PANEL	1		A
	E207780-005SS	REAR PANEL	1		BS
	E207780-006SS	REAR PANEL	1		EF
	E207780-006SS	REAR PANEL	1		EN
	E207780-006SS	REAR PANEL	1		G
	E207780-006SS	REAR PANEL	1		GI
	E207780-007SS	REAR PANEL	1		U
	E207780-007SS	REAR PANEL	1		UT
	E207780-008SS	REAR PANEL	1		J
	E207780-010SS	REAR PANEL	1		VX
	E207780-014SS	REAR PANEL	1		C
65	E73273-003	SPECIAL SCREW	4		
	E73273-003	SPECIAL SCREW	2		U
	E73273-003	SPECIAL SCREW	2		UT
66	SXST3006M	SCREW	9		
67	E207356-222	REAR COVER	1		J

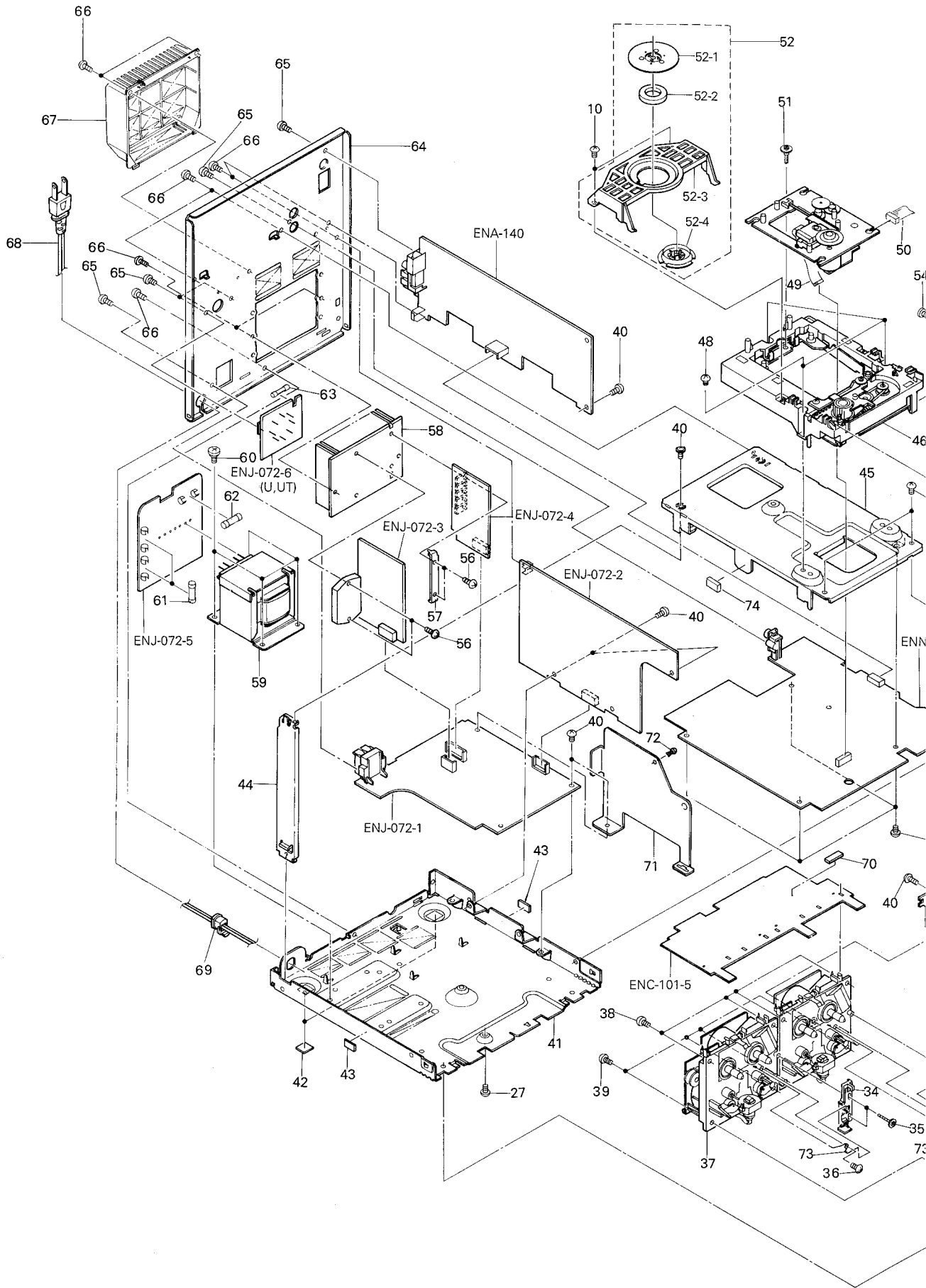
⚠	Item	Part Number	Part Name	Q'ty	Description	Areas
		E207356-223SS	REAR COVER	1		C
		E207356-223SS	REAR COVER	1		A
		E207356-223SS	REAR COVER	1		BS
		E207356-223SS	REAR COVER	1		EF
		E207356-223SS	REAR COVER	1		EN
		E207356-223SS	REAR COVER	1		G
		E207356-223SS	REAR COVER	1		GI
		E207356-223SS	REAR COVER	1		VX
		E207356-223SS	REAR COVER	1		U
		E207356-223SS	REAR COVER	1		UT
⚠	68	QMP1D00-200H	POWER CORD	1		J
⚠		QMP1D00-200H	POWER CORD	1		C
⚠		QMP25F0-244	POWER CORD	1		A
⚠		QMP3900-200	POWER CORD	1		EF
⚠		QMP3900-200	POWER CORD	1		EN
⚠		QMP3900-200	POWER CORD	1		G
⚠		QMP3900-200	POWER CORD	1		GI
⚠		QMP3900-200	POWER CORD	1		VX
⚠		QMP5530-0085BS	POWER CORD	1		BS
⚠		QMP7520-200	POWER CORD	1		U
⚠		QMP7520-200	POWER CORD	1		UT
⚠	69	QHS3876-162	CORD STOPPER	1		J
⚠		QHS3876-162	CORD STOPPER	1		EF
⚠		QHS3876-162	CORD STOPPER	1		A
⚠		QHS3876-162	CORD STOPPER	1		C
⚠		QHS3876-162	CORD STOPPER	1		EN
⚠		QHS3876-162	CORD STOPPER	1		G
⚠		QHS3876-162	CORD STOPPER	1		GI
⚠		QHS3876-162	CORD STOPPER	1		VX
⚠		QHS3876-162	CORD STOPPER	1		U
⚠		QHS3876-162	CORD STOPPER	1		UT
⚠		QHS3876-162BS	CORD STOPPER	1		BS
	70	E306805-087	SPACER	1		
	71	E308548-002SS	SHIELD BRACKET	1		
	72	E48729-008	PLASTIC RIVET	1		
	73	E407304-001	SPRING	2		
	74	E306805-085	SPACER	1		G
		E306805-085	SPACER	1		GI
	-	E307570-001	NUMBER LABEL	1		J
		E61029-005	NUMBER LABEL	1		C
		E61029-005	NUMBER LABEL	1		A
		E61029-005	NUMBER LABEL	1		BS
		E61029-005	NUMBER LABEL	1		EF
		E61029-005	NUMBER LABEL	1		EN
		E61029-005	NUMBER LABEL	1		G
		E61029-005	NUMBER LABEL	1		GI
		E61029-005	NUMBER LABEL	1		VX
		E61029-005	NUMBER LABEL	1		U
		E61029-005	NUMBER LABEL	1		UT
	-	E67199-001	CAUTION LABEL	2		J
		E65507-001	CAUTION LABEL	2		C
	-	E406507-001	CAUTION LABEL	1		C
		E406507-001	CAUTION LABEL	1		A
		E406507-001	CAUTION LABEL	1		BS
		E406507-001	CAUTION LABEL	1		EF

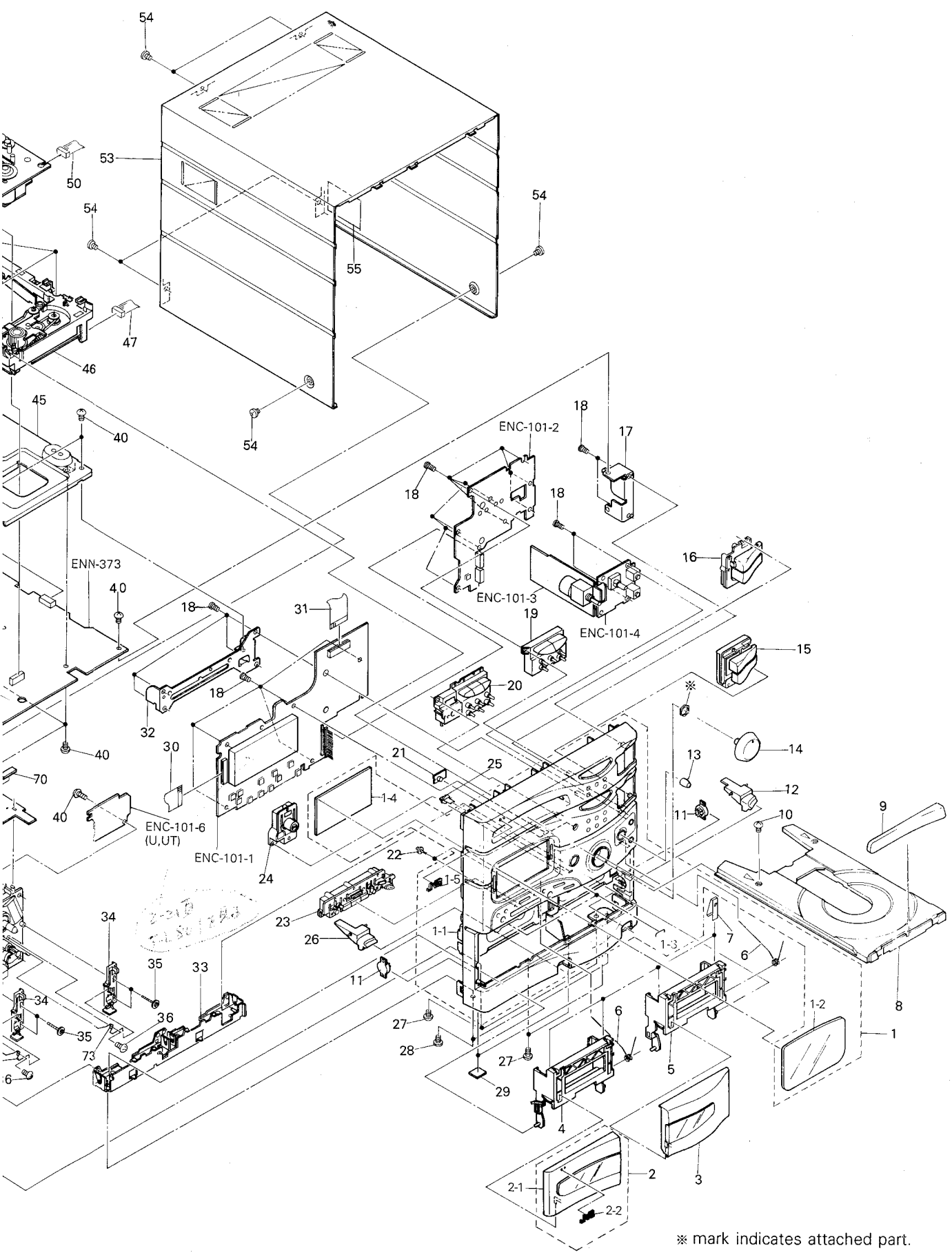
⚠	Item	Part Number	Part Name	Q'ty	Description	Areas
		E406507-001	CAUTION LABEL	1		EN
		E406507-001	CAUTION LABEL	1		G
		E406507-001	CAUTION LABEL	1		GI
		E406507-001	CAUTION LABEL	1		VX
		E406507-001	CAUTION LABEL	1		U
	—	E406507-001	CAUTION LABEL	1		UT
		E70891-001	CLASS 1 LABEL	1		A
		E70891-001	CLASS 1 LABEL	1		BS
		E70891-001	CLASS 1 LABEL	1		EF
		E70891-001	CLASS 1 LABEL	1		EN
		E70891-001	CLASS 1 LABEL	1		G
		E70891-001	CLASS 1 LABEL	1		GI
		E70891-001	CLASS 1 LABEL	1		VX
		E70891-001	CLASS 1 LABEL	1		U
		E70891-001	CLASS 1 LABEL	1		UT
	—	E45858-002	CSA LABEL	1		C
	—	QZL1031-101	APPROVAL LABEL	1		EF
	—	E70027-001	SEV LABEL	1		EN

⚠ SAFETY PARTS

The Marks for Designated Areas

J .....	the U.S.A.	C .....	Canada	A .....	Australia	EN .....	Scandinavia
EF .....	Continental Europe	BS .....	the U.K.	G .....	Germany	VX ...	East Europe
GI .....	Italy	UT .....	Taiwan	U .....	Universal Type	<b>No mark indicates all areas.</b>	





# Cassette Mechanism Ass'y and Parts List

