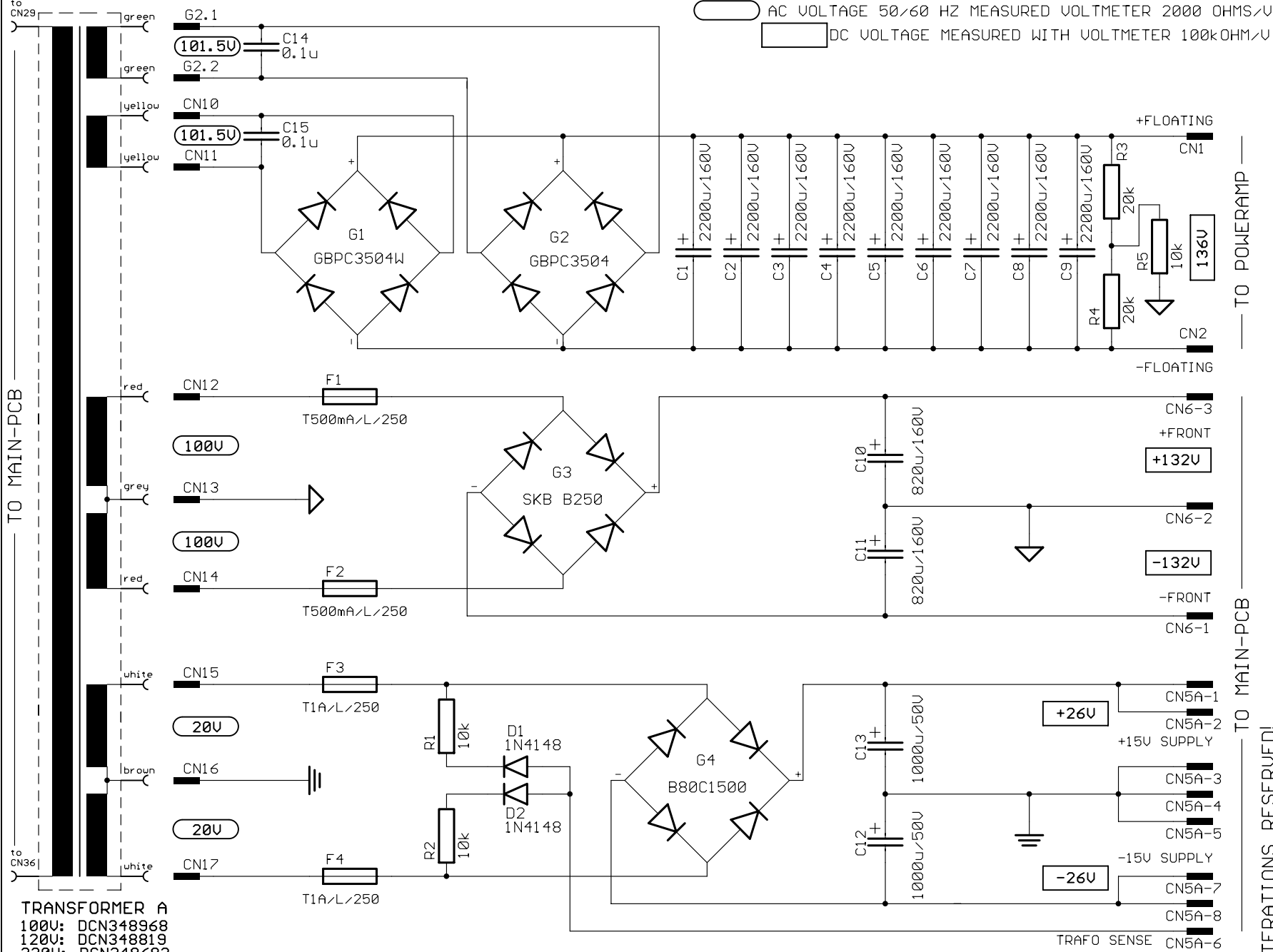


TO MAIN-PCB

to CN361

TRANSFORMER A
 100V: DCN348968
 120V: DCN348819
 230V: DCN348683
 240V: DCN351439



○ AC VOLTAGE 50/60 HZ MEASURED VOLTMETER 2000 OHMS/V
 □ DC VOLTAGE MEASURED WITH VOLTMETER 100kOHM/V

TO POWERAMP

TO MAIN-PCB

ALTERATIONS RESERVED!

Last modified: 21.09.2000 11:59:12		Last plotted: 05.06.2002 12:21:08	
DSG'D	J. Taffner	DATE	NAME
CHK'D	3.3.95 Brandl M.		
APP'D			
85242A NETA			
CIRCUIT DIAGRAM			
348676		4-	
DYNACORD			
SYMB.	REVISION	DATE	NAME
A		9.6.94 Brandl	