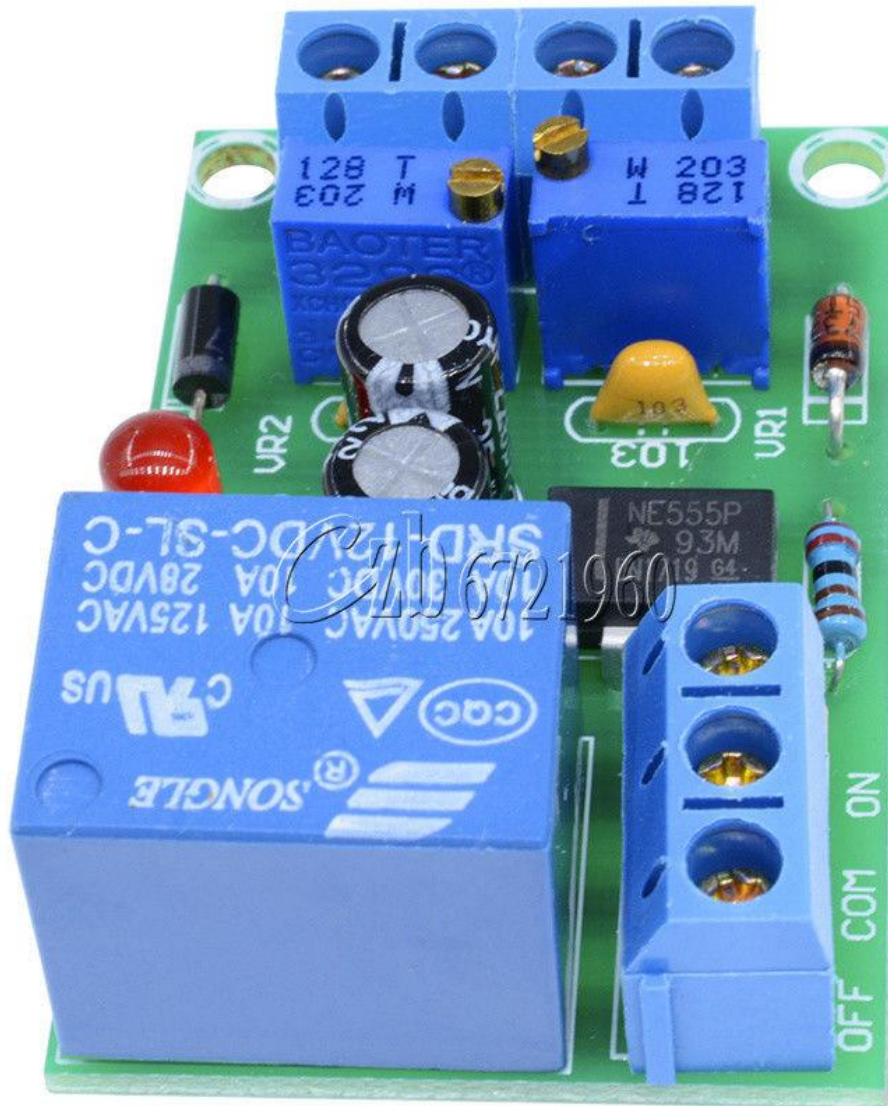
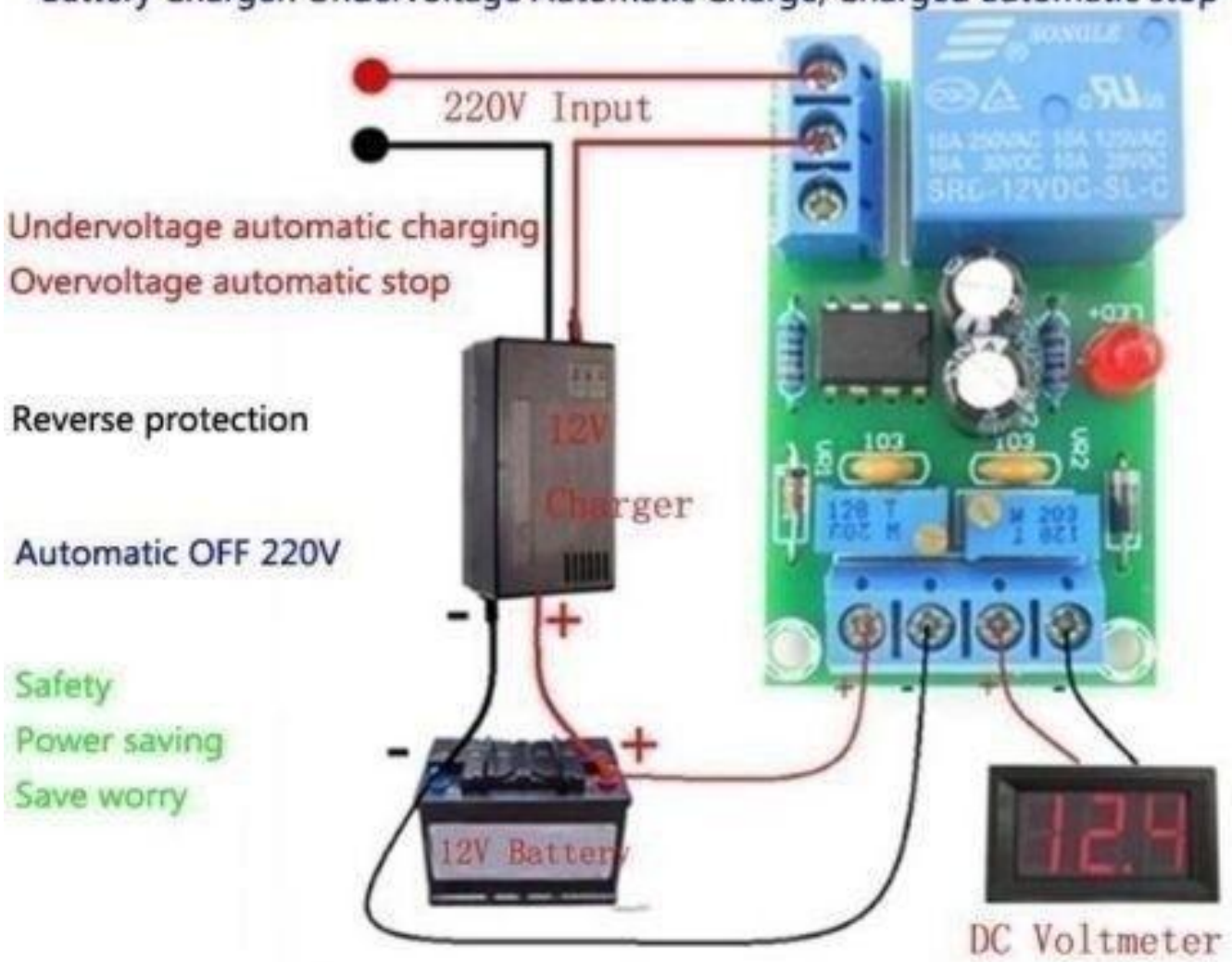


XH-M601 Battery Charging Control Board 12V Intelligent Charger Power Automatic



Battery Charger: Undervoltage Automatic Charge, Charged automatic stop



Adjust VR2 :

Charger start to charging in the lowest voltage

For example charger start to charging at 10.5V

Adjust Clockwise is lower, anti-clockwise is larger



Adjust VR1:

Charger stop charging in the highest voltage

For example charger stop charging at 14.4V

Adjust clockwise is lower, anti-clockwise is larger

hello_alan

