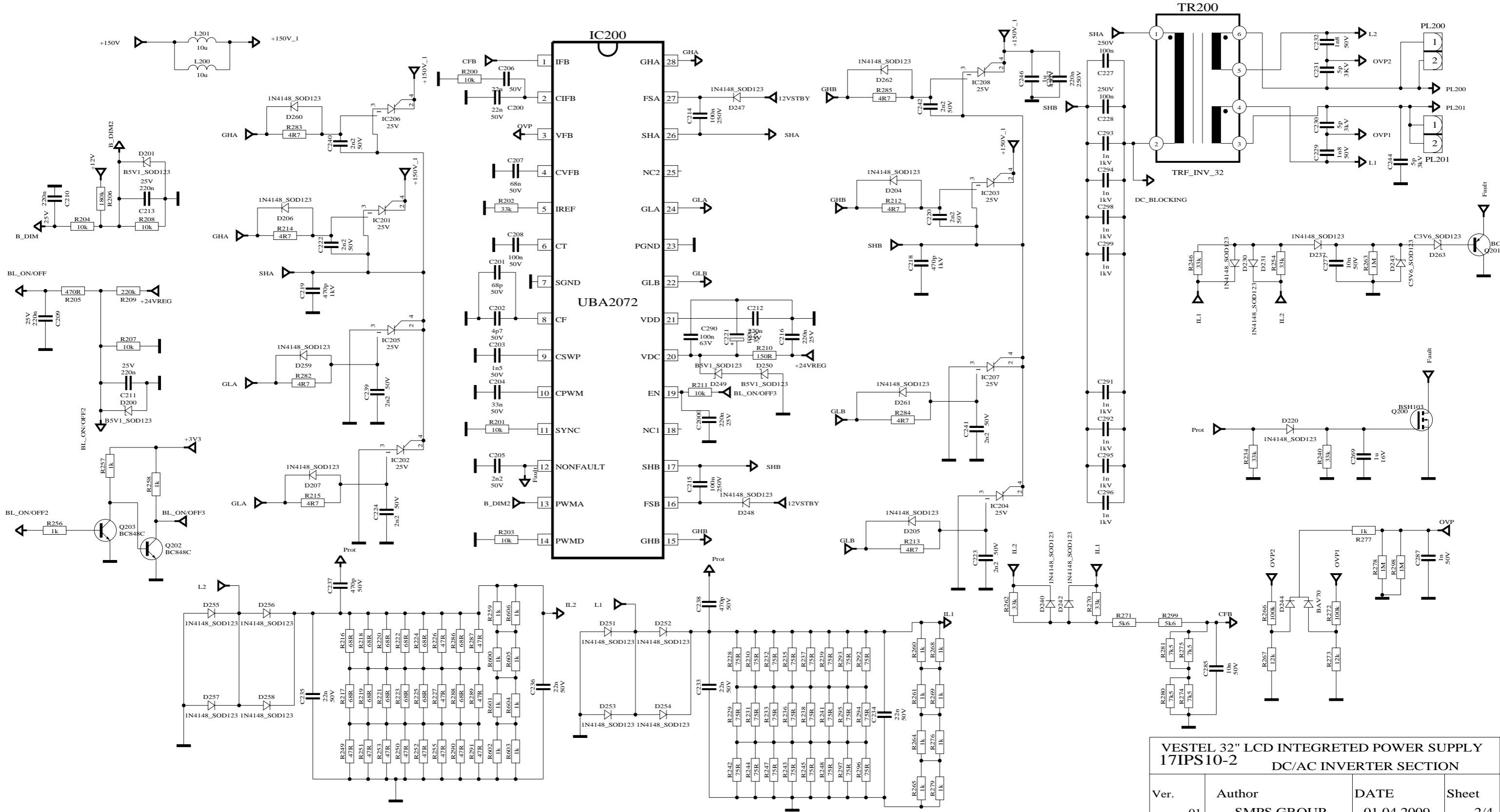


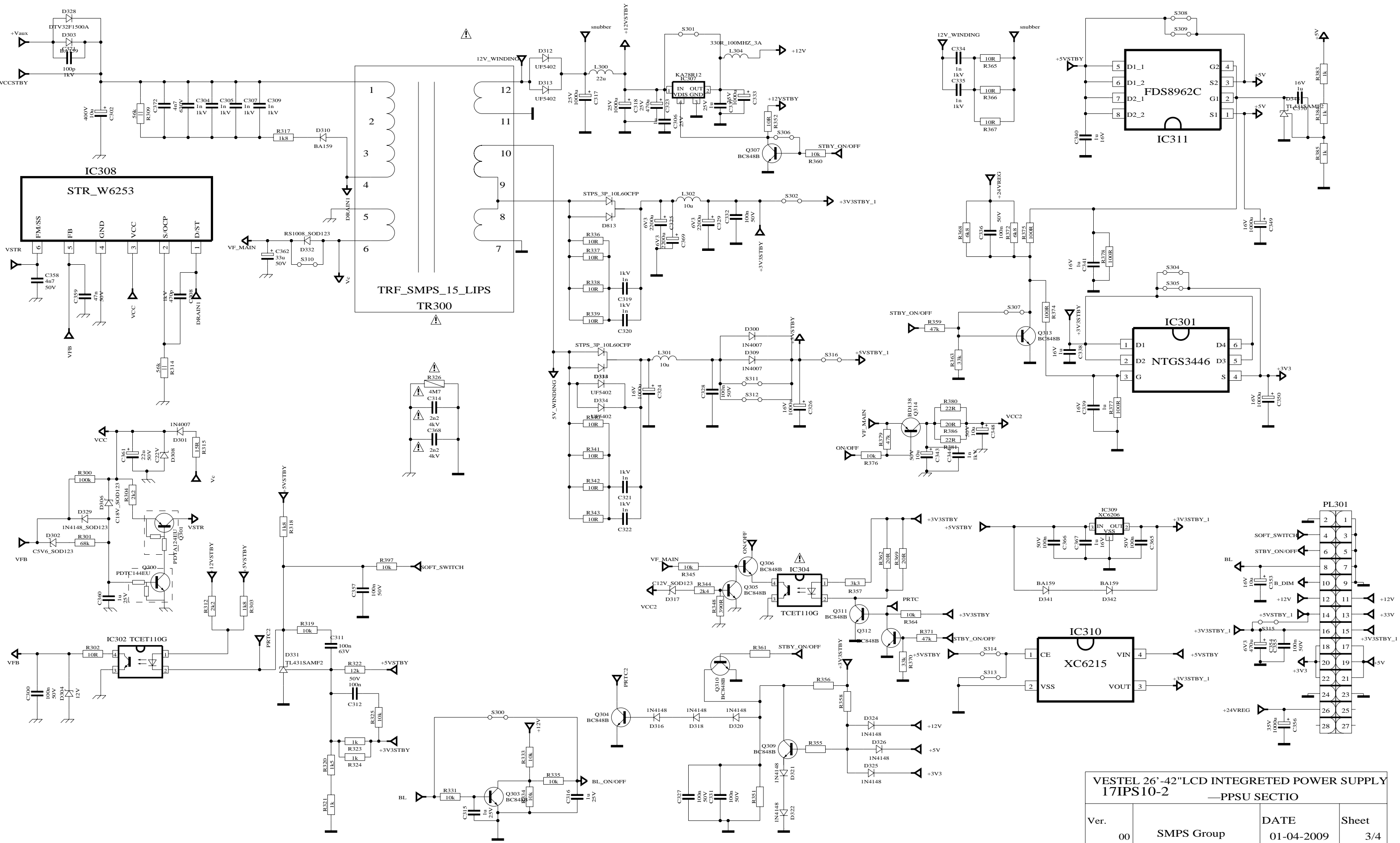
**VESTEL 32" LCD INTEGRATED POWER SUPPLY
17IPS10-2 —PPFC FLYBACK PSU SECTION**

| Ver. | Author | DATE | Sheet |
|------|------------|------------|-------|
| 01 | SMPS GROUP | 01-04-2009 | 1/4 |



**VESTEL 32" LCD INTEGRATED POWER SUPPLY
17PS10-2
DC/AC INVERTER SECTION**

| | | | |
|------|------------|------------|-------|
| Ver. | Author | DATE | Sheet |
| 01 | SMPS GROUP | 01.04.2009 | 2/4 |



**VESTEL 26"-42"LCD INTEGRATED POWER SUPPLY
17IPS10-2**
—PPSU SECTIO

| Ver. | SMPS Group | DATE | Sheet |
|------|------------|------------|-------|
| 00 | | 01-04-2009 | 3/4 |

