

A

B

C

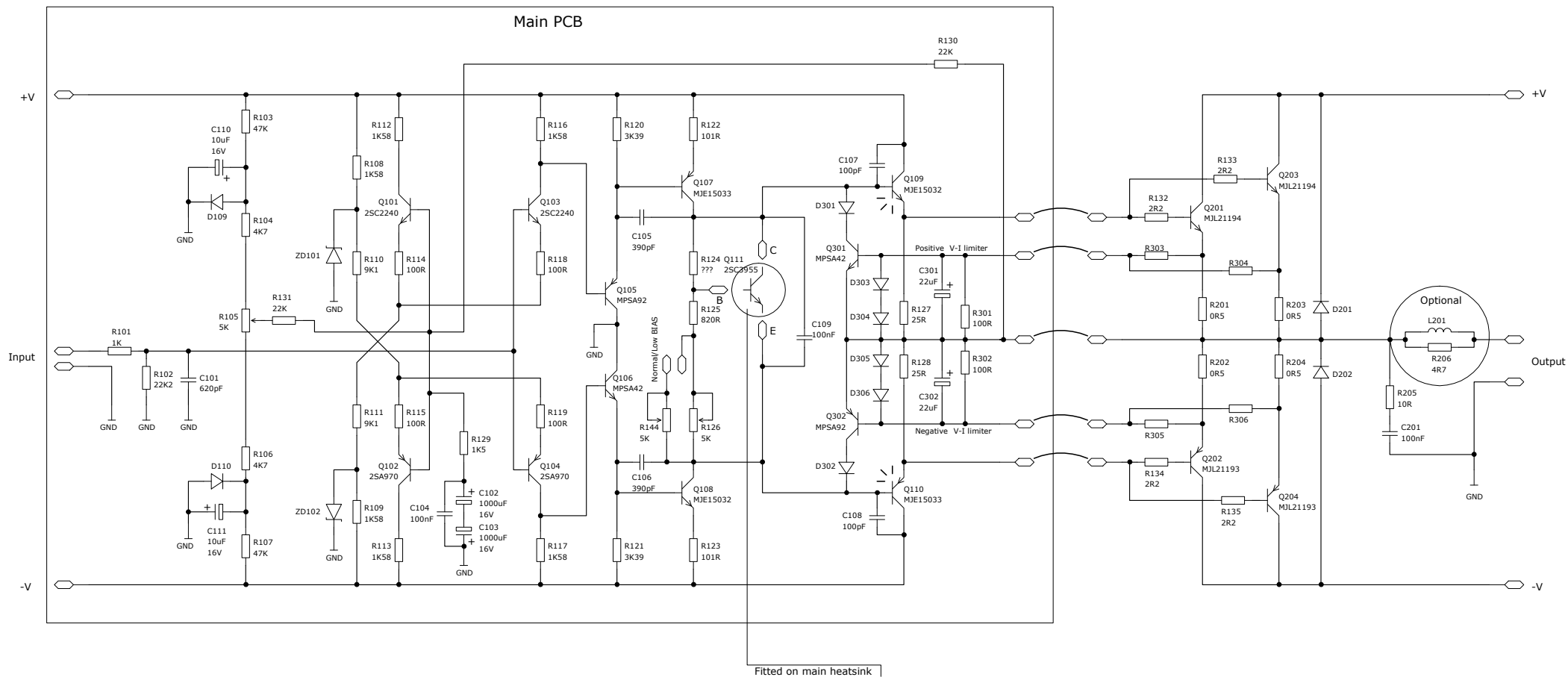
D

E

F

G

H



**Notes!**  
 Components designated 1xx are placed on main PCB  
 Components designated 2xx are placed on heatsink or speaker binding posts  
 Components designated 3xx are additional output protection circuit  
 All capacitors 100V except where designated otherwise  
 Q111 must be placed on main heatsink  
 Q109 and Q110 must be fitted with suitable heatsink  
 V-I Limiter: 1: (R303/R304/Rxxx) = app. 100R for safe SOA

Copyright		File Name			
DELTA AUDIO DENMARK www.delta-audio.com		Krell-Clone KSA-50.sch			
		Date	Date	Date	Date
Project		17.10.2004	21.10.2004	21.10.2004	23.10.2004
Circuit Name		Rev. 1.1	Rev. 1.2	Rev. 1.3	Rev. 1.4
Krell-Clone KSA-50		Dept.	Drawn by	Checked	Released
R&D		JD			
Size		Code	Status	Sheet	
A3		UR	IP	1 of 1	

