

ACOUSTAT

TRANS - NOVA TWIN 120 page 1

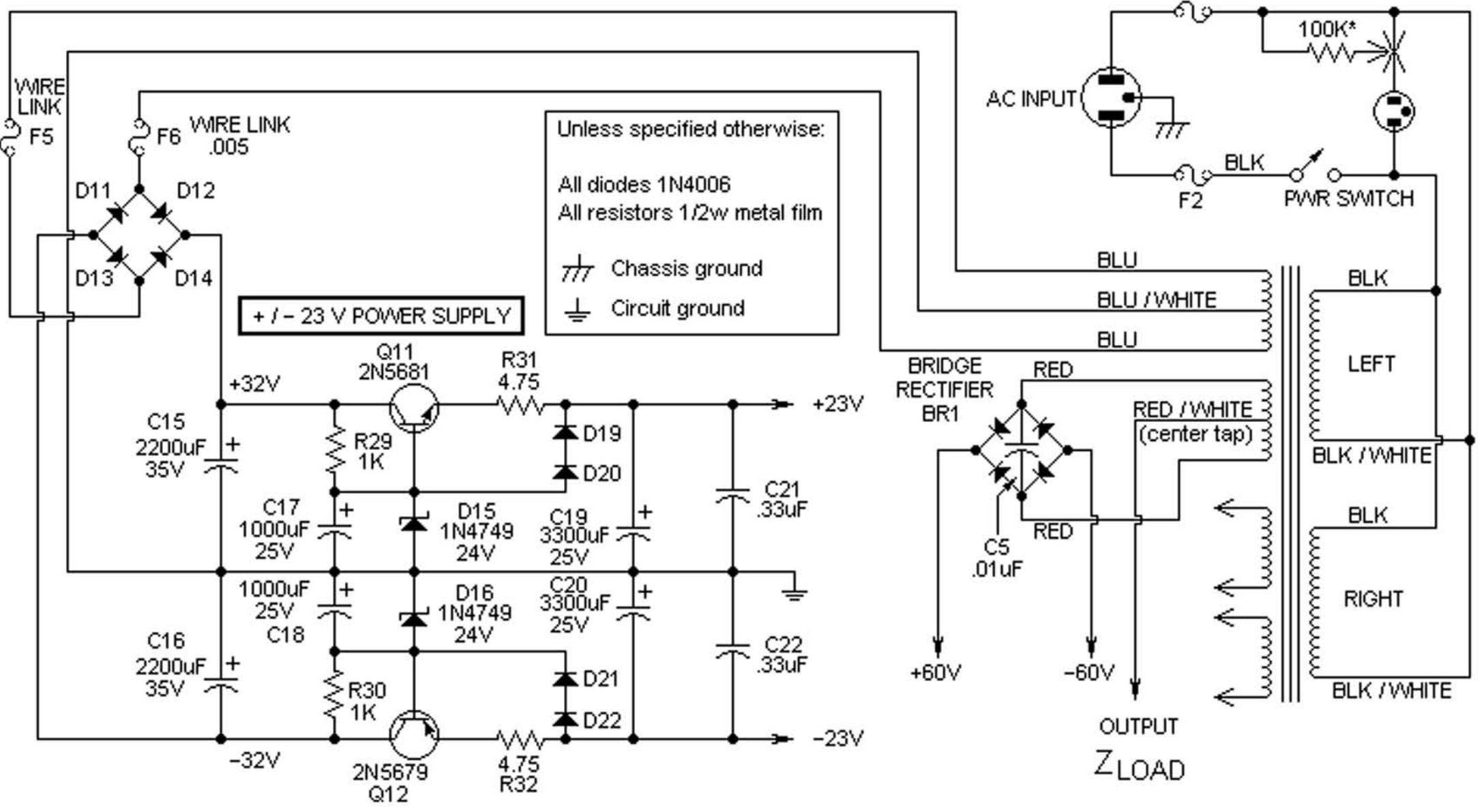
Unless specified otherwise:

All diodes 1N4006
All resistors 1/2w metal film

⏏ Chassis ground

⏏ Circuit ground

* for 220-240 VAC only



ACOUSTAT

TRANS - NOVA TWIN 120 page 2