

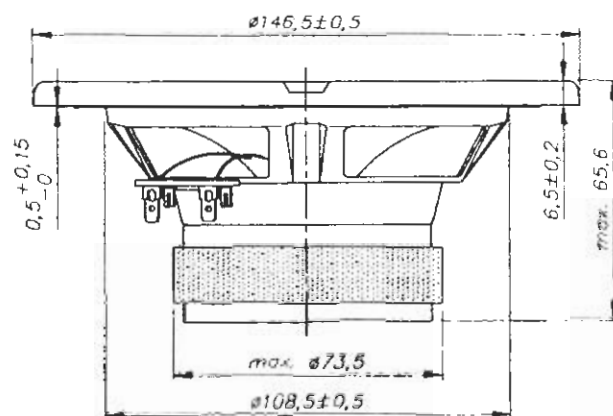
5" WOOFER

SPECIAL FEATURES:

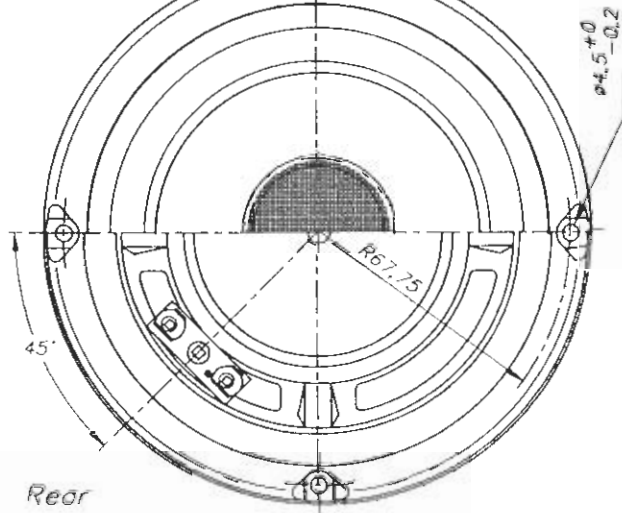
- HIGH DAMPING RUBBER SURROUND
- COATED PAPER CONE
- HIGH TEMPERATURE VOICE COIL
- BUILT IN DECOR RING
- SMOOTH FREQUENCY RESPONSE
- NEUTRAL MIDRANGE REPRODUCTION
- IDEAL FOR BASS REFLEX

NOMINAL IMPEDANCE	8 Ω
NOMINAL POWER (IEC 268-5)	50 W
MUSIC POWER (DIN 45500)	75 W
FREQUENCY RANGE	55-5000 Hz
SENSITIVITY (1W, 1m)	88 dB
EFFECTIVE CONE AREA	80 cm ²
VOICE COIL RESISTANCE	5,5 Ω
VOICE COIL INDUCTANCE	0,7 mH
OPERATING POWER	6,3 W
VOICE COIL DIAMETER	25 mm
VOICE COIL HEIGHT	10 mm
AIR GAP HEIGHT	6 mm
FREE AIR RESONANCE	55 Hz
MOVING MASS (incl. air)	7 g
FORCE FACTOR, B x l	4,9 Txm
MAGNET WEIGHT (8,5 oz)	240 g
Qms	1,4
Qes	0,55
Qts	0,39
Vas	12 ltr

C13WG-19-08



Front



Rear

