

SERVICE GUIDE

KYE SYSTEMS CORP



SW-F2.1 500

Version:1.0

Revision History

Version	Date	Change
1.0	28/05/2006	

Table of Contents

Revision History	2
Table of Contents	3
Getting Started	4
Conventions Used in this Guide	4
Safety Precautions	4
Chapter 1. How to Handle Defective Returns	5
1.1 Overview	5
1.2 Problems	6
1.2.1 L/R channels no sound	7
1.2.2 Woofer channel no sound	8
1.2.3 No power	8
Chapter 2. Specifications	9
Satellite	9
Host(Woofer)	9
Chapter 3. Block Diagram	10
Chapter 4. Exploded View	11
Host(Woofer)	11
Satellite	12
Chapter 5. Part List	13
Chapter 6. Schematic Diagram	14
Chapter 7. Important Notes	15
7.1 Packing Requirement for Sending the PCB Assembly by post	15
7.2 Short of Spare Parts while Repairing a Speaker system	15

Getting Started

Conventions Used in this Guide

Pay Special Attention: Instructions that are important to remember and may prevent mistakes.

Caution: Information that, if not followed, may result in damage to the product.

Safety Precautions

The following precautions should be observed in handling the speaker described in this guide:

Place the speakers on a flat, level and stable surface.

Do not place the speakers in environments subject to mist, smoke, vibration, excessive dust, salty or greasy air, or other corrosive gases and fumes.

Do not drop or jolt the speakers.

Do not allow anything to drop into the subwoofer case through its ventilator, as it could result in fatal electric shock or fire.

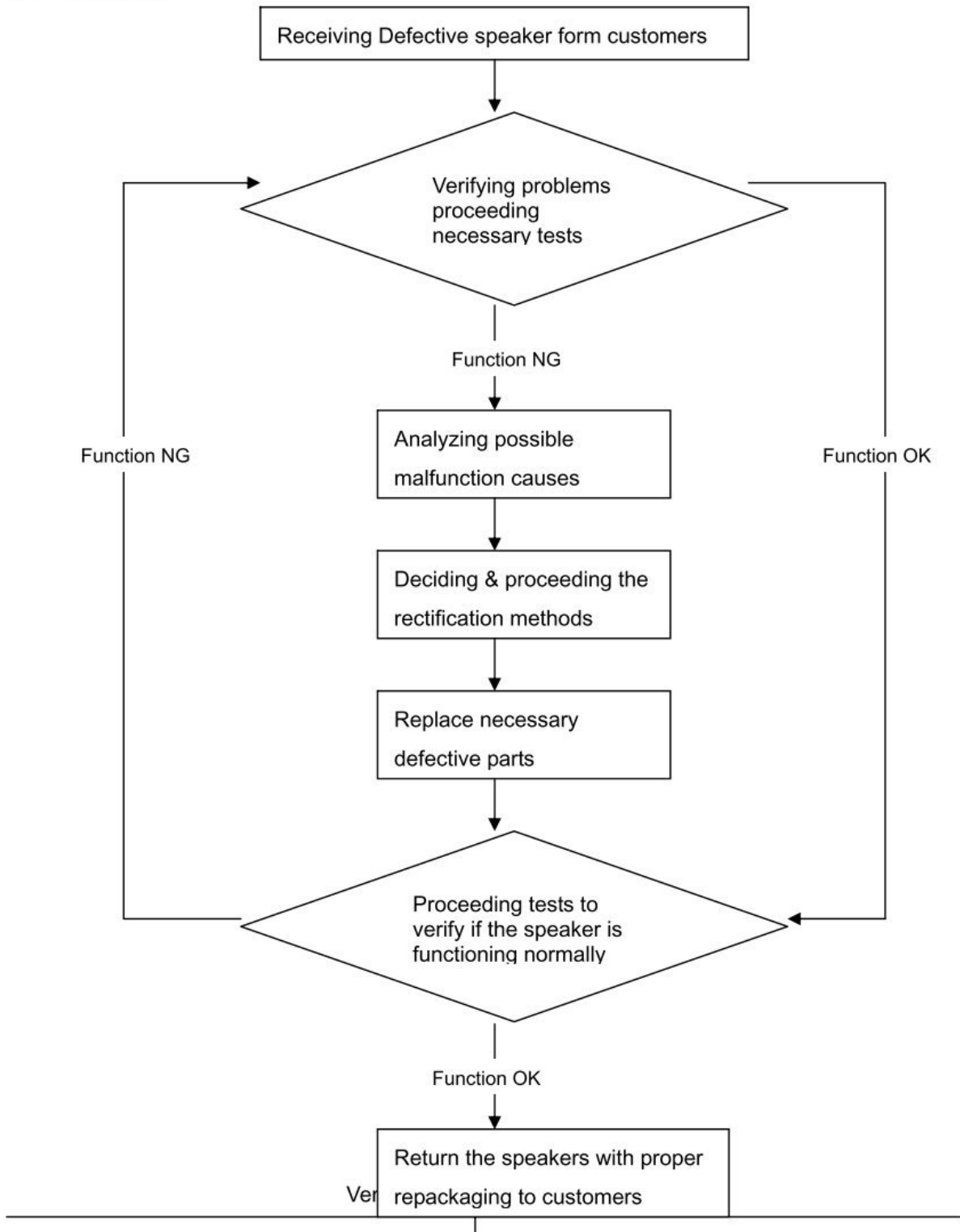
Place the unit far enough from other equipments for good heat dissipation. Disconnect the AC power cord from the AC outlet before performing any maintenance on the speakers.

Do not perform any maintenance with wet hand.

Prevent foreign substances, such as water, other liquids or chemical, from entering the speakers while performing maintenance procedures on the speakers.

Chapter 1. How to Handle Defective Returns

1.1 Overview



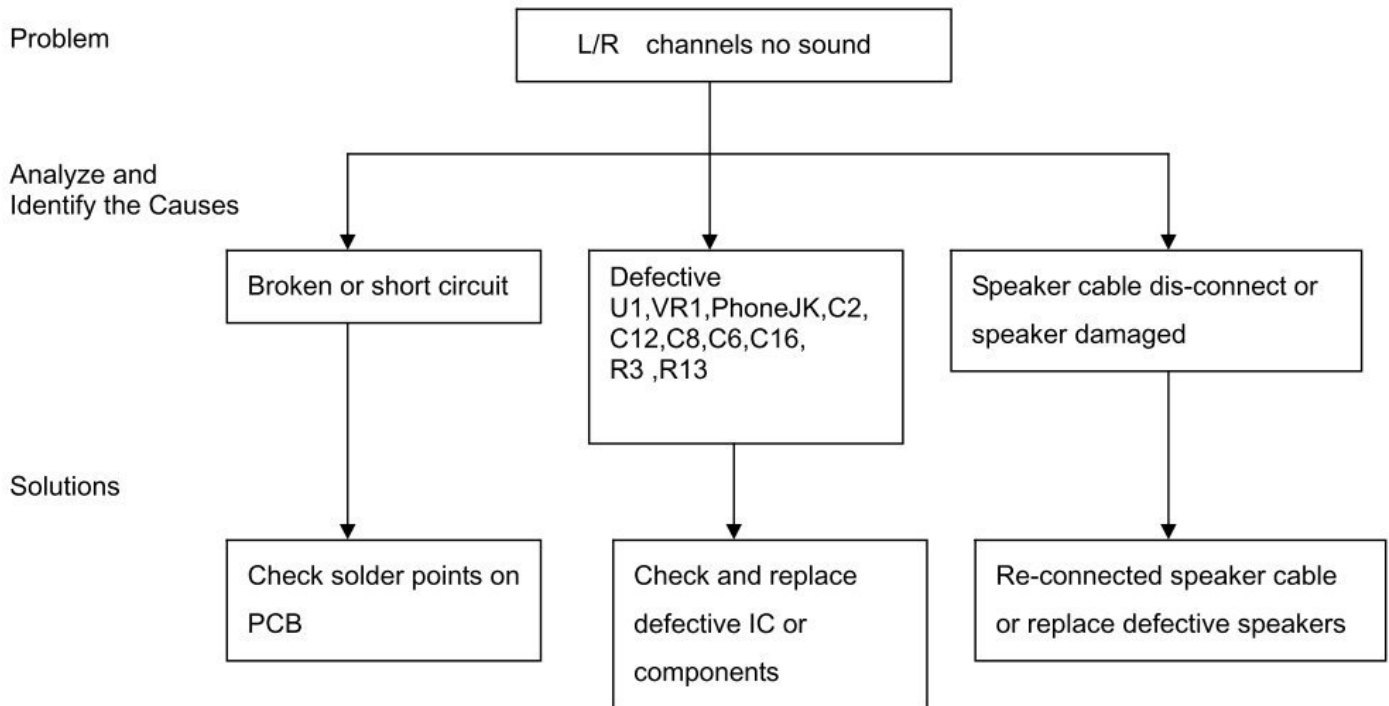
1.2 Problems

<u>Item</u>	<u>Problem Description</u>
1.2.1	L/R channels no sound
1.2.2	Woofers channel no sound
1.2.3	NO power

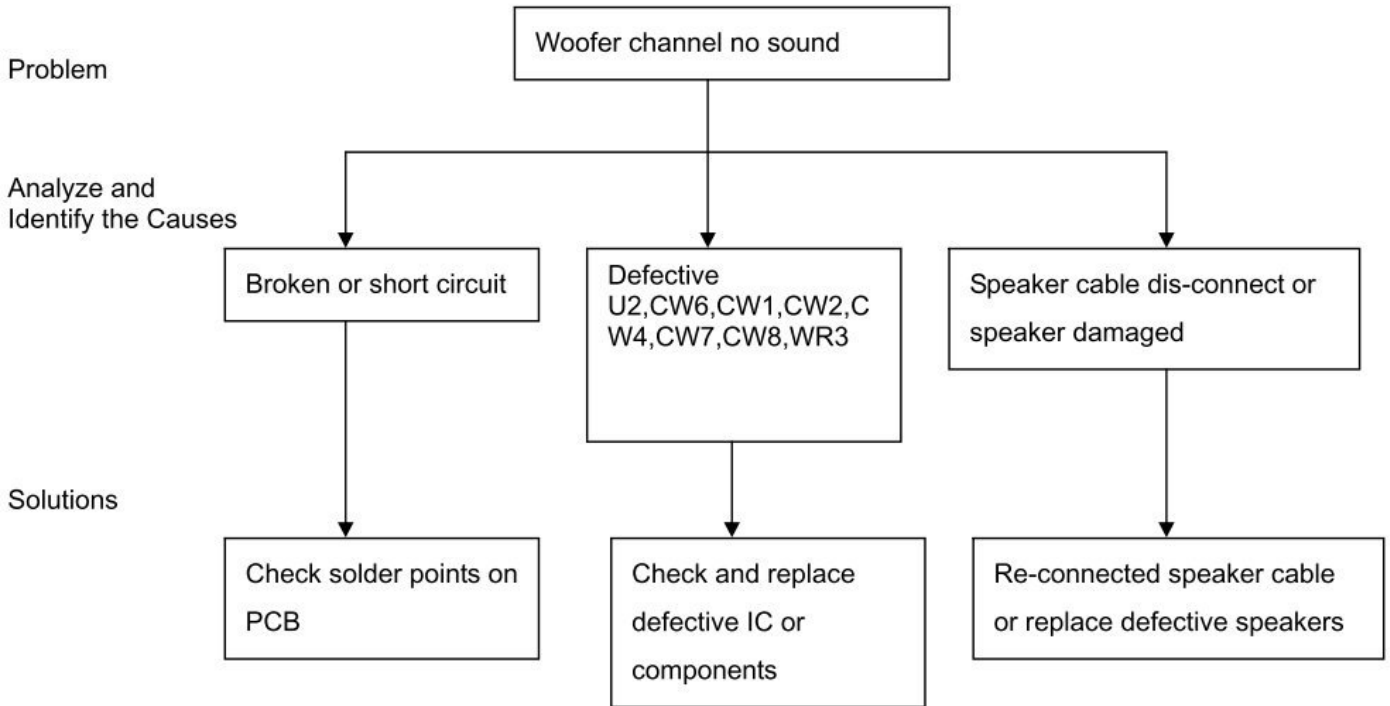
*** Attention**

Please follow the numbered sequence marked within parenthesis given in individual Flow chat, in that this is the best-recommended sequence to rectify the problems.

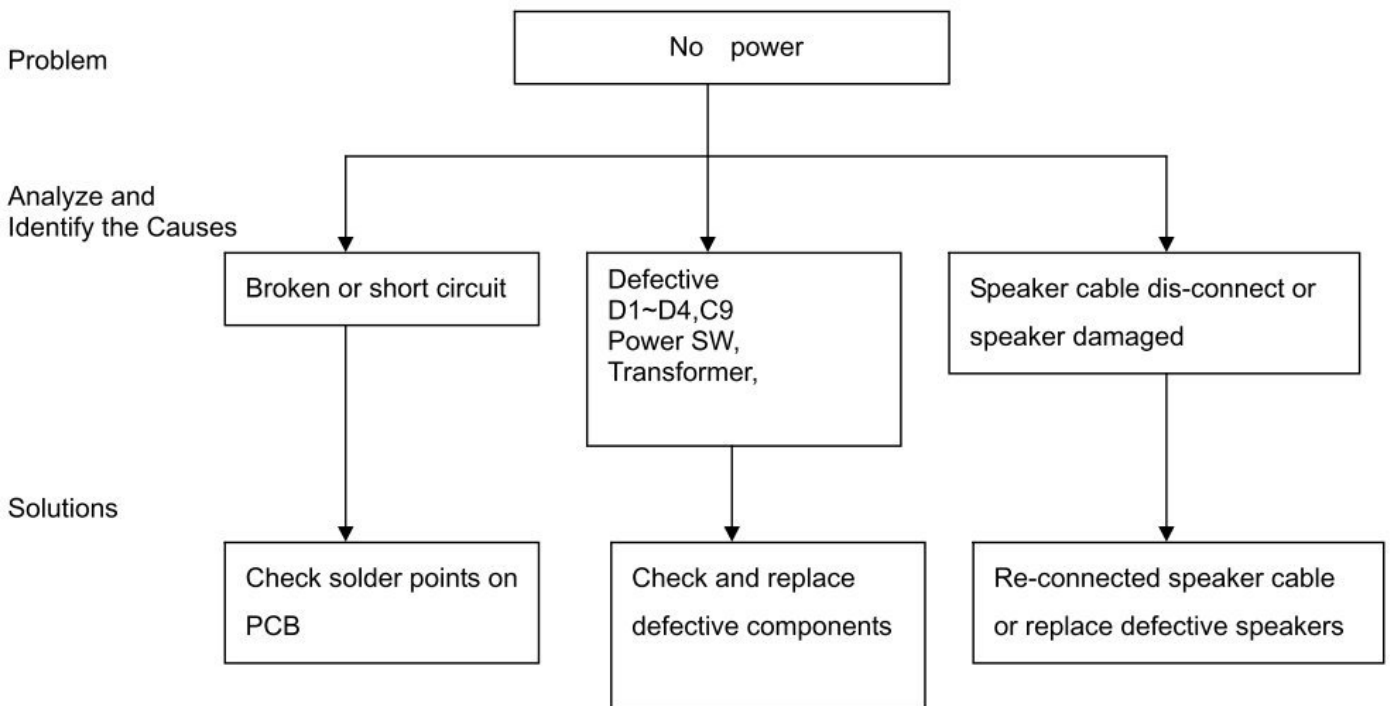
1.2.1 L/R channels no sound



1.2.2 Woofer channel no sound



1.2.3 No power



Chapter 2. Specifications

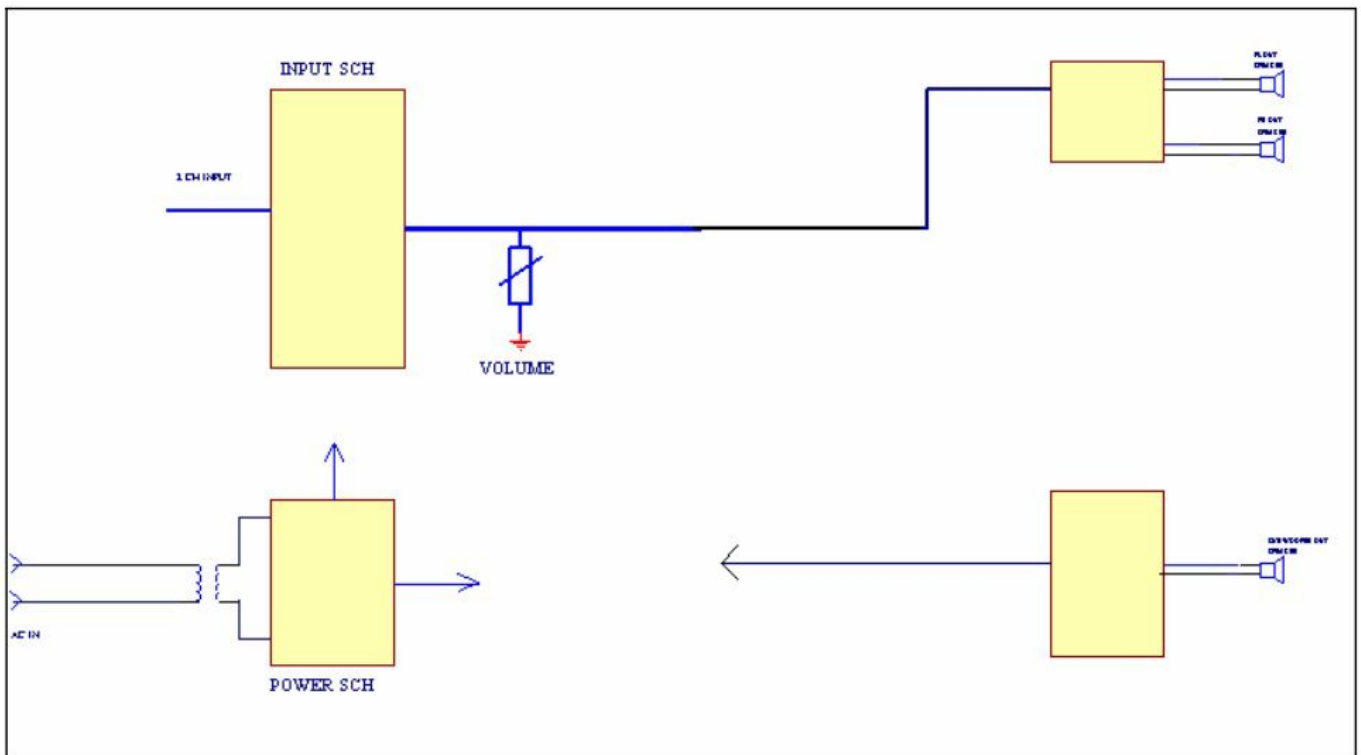
Satellite – Front (AT 1KHZ):

NO	Description	Unit	Specifications
1	Out Power at THD 10%	W	3 ± 0.5
2	Sensitivity	mV	400 ± 40
3	Freq Response (Ref:-3dB)	Hz	120~20K
4	Separation	dB	> 30
5	S/N ratio	dB	> 45
6	Hum & Noise Vol:max	mV	<5

Host (Woofer) (AT 100Hz):

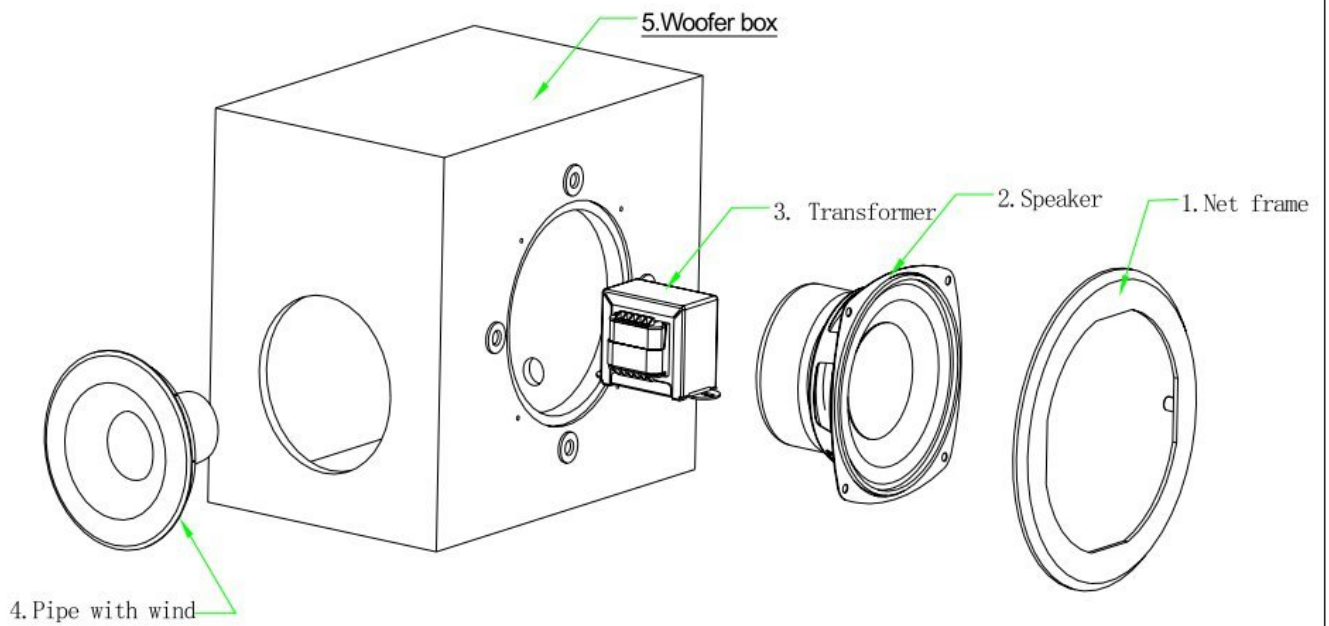
NO	Description	Unit	Specifications
1	Out Power at THD 10%	W	3.5 ± 0.5
2	Sensitivity	mV	180 ± 50
3	Freq Response (Ref:-3dB)	Hz	65~280
4	S/N ration	dB	>45
5	Hum & Noise Vol: max	mV	<6

Chapter 3. Block Diagram



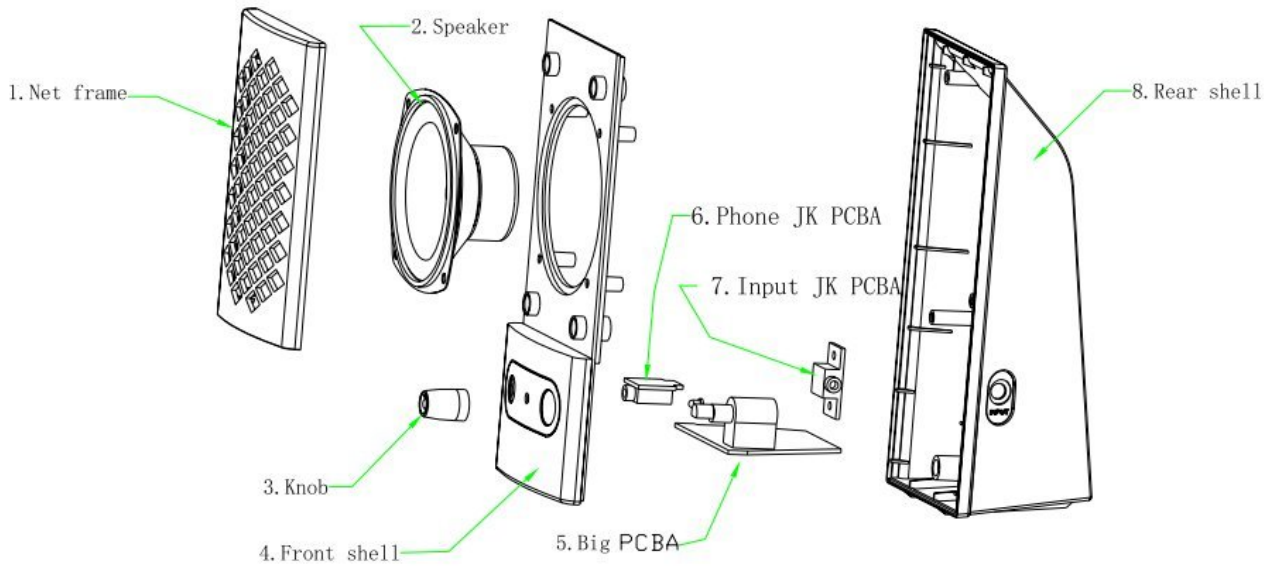
Chapter 4. Exploded View

Host (Woofer)

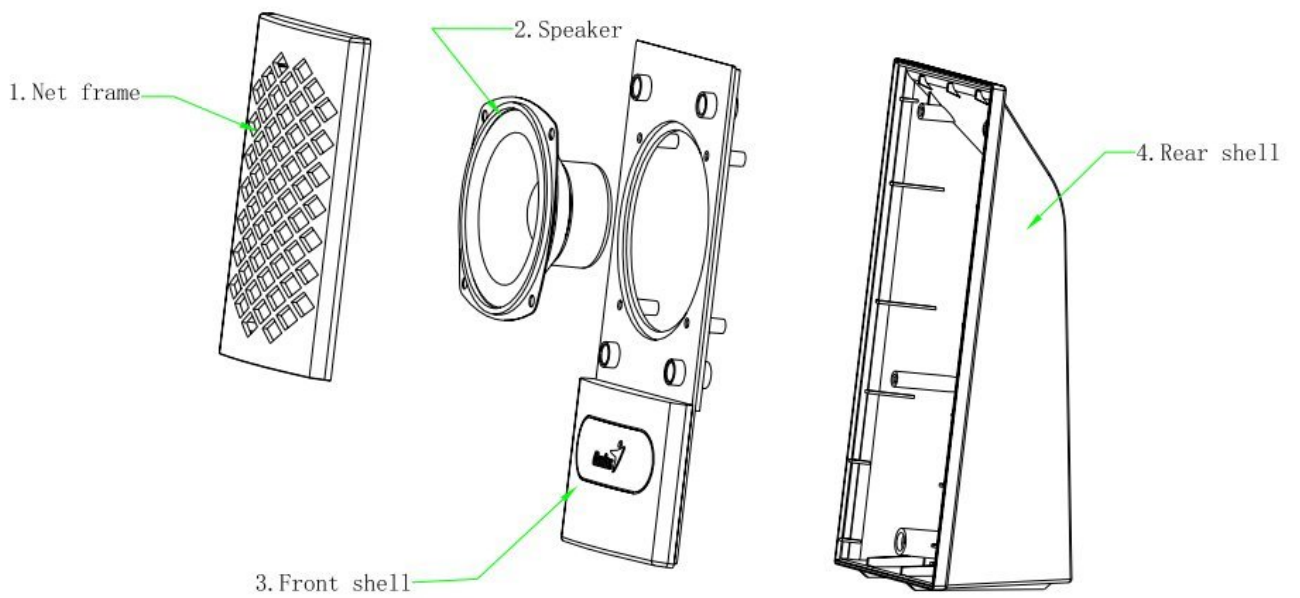


Satellite

R



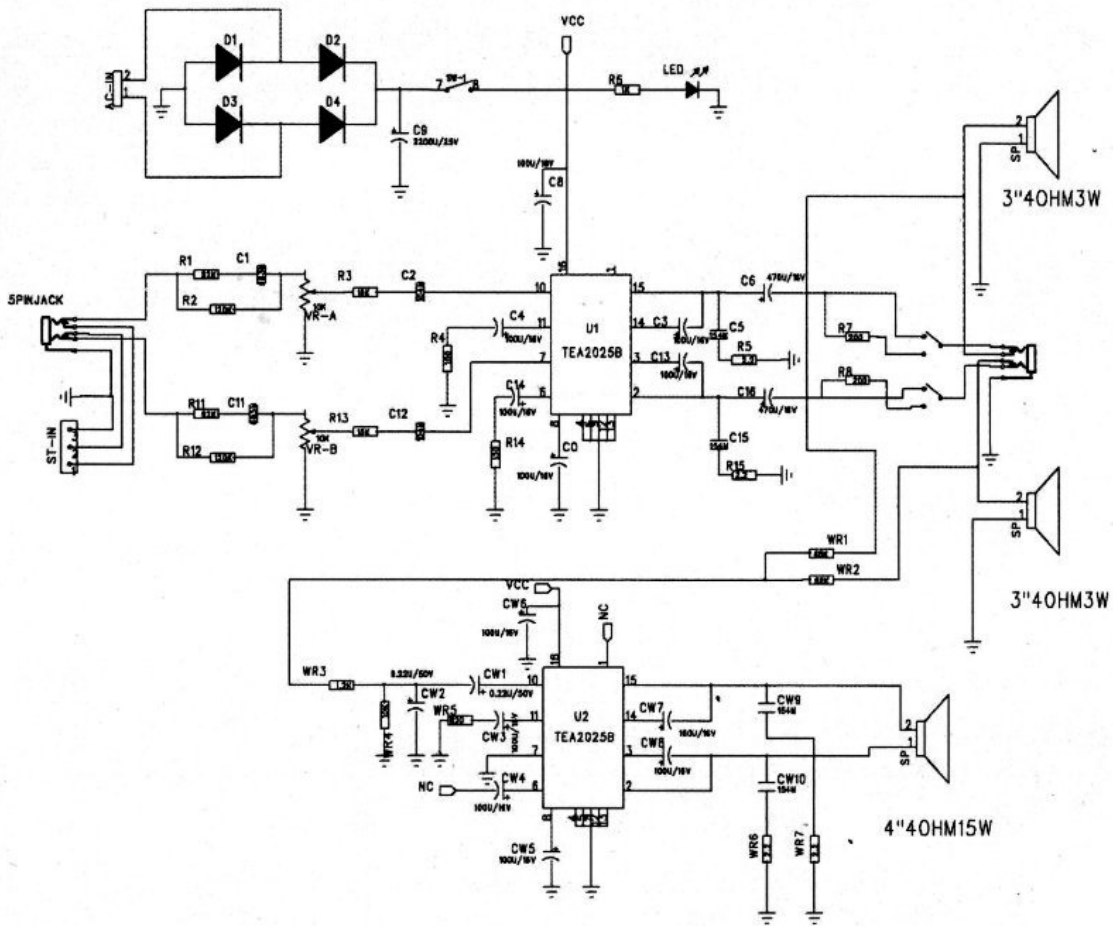
L



Chapter 5. Part List

NO	DESCRIPTION	Qty	UNIT	Part No
1	SW-F2.1 500/BODY/SATELLITE-FL	1	PC	F-000-049-0000
2	SW-F2.1 500/BODY/SATELLITE-FR	1	PC	F-000-049-0000
3	SW-2.1 500/BODY/WOOFER/230V-EU	1	PC	F-000-049-0000
4	SPEAKER UNIT 4" 4 OHM 15W	1	PC	3-341-100-0013
5	SPEAKER UNIT A-301-3 3"4 OHM/3W	2	PC	1-341-400-0012
6	RUBBER, Ø21.5/SATE	4	PC	5-127-210-0008
7	MANUAL, SW-2.1 500	1	PC	5-035-055-0010
8	CUSHION, SW-2.1 500	1	SET	6-008-000-0052
9	PCBA SW-F2.1 500	1	PC	X-000-000-0122
10	IC 2025(SJ)	2	PC	Q-000-000-0068
11	VR+SW SWITCH, B10K	1	PC	1-224-000-0043
12	CARTON, SW-F2.1 500	1	PC	6-017-078-0030
13	TRANSFORMER, 230V:10V AC / 1A	1	PC	1-296-500-0058
14	AUDIO CABLE, 1ST to 0 ST, SW-F2.1 500	1	PC	1-362-116-0005
15	AUDIO CABLE, 0to 0, SW-F2.1 500	1	PC	3-359-100-0028
16	AUDIO CABLE, 1ST to 1 ST, 30cm, SW-F2.1 500	1	PC	1-362-216-0028
17	AUDIO CABLE, 2.2M, SW-F2.1 500	1	PC	1-362-116-0026
18	POWER CORD, BLCK,EU, SW-F2.1 500	1	PC	1-372-011-0005
19	CARTON LABEL	1	PC	5-030-400-0671
20	S/N LABEL	2	PC	5-030-400-0670
21	Round Red type Label, Φ10mm	1	PC	5-130-163-0003
22	PE BAG, SW-F2.1 500(Satellite)	2	PC	6-002-000-0079
23	PE BAG,SW -F2.1 500(Woofers)	1	PC	6-002-000-0080
24	PE BAG, POWER CORD , SW-F2.1 500	1	PC	6-102-000-0012

Chapter 6. Schematic Diagram



Chapter 7. Important Notes

7.1 Packing Requirement for Sending the PCB Assembly by Post

PCB assembly is a kind of sophisticated electronic circuit board. Well packing will be required when sending them by post.

* Some sophisticated IC components are mounted on the PCB assembly, hence it is necessary to pack each PCB assembly with a separate static protecting bag, in order to avoid static electricity.

* Reliable external packing is also very important when sending PCB assembly by post, in that it would avoid unnecessarily lost or damage.

7.2 Short of Spare Parts while Repairing a Speaker System

If you are short of spare parts when you have some speaker systems waiting to be repaired, it would be recommended to take the necessary parts from one speaker system, so that you may have the as many speaker systems.