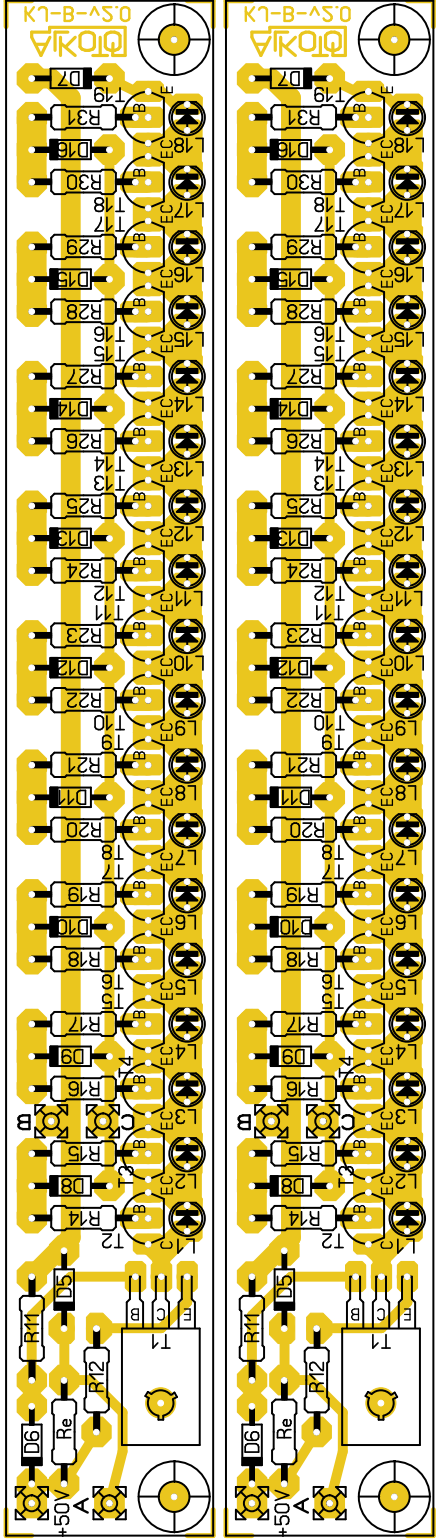
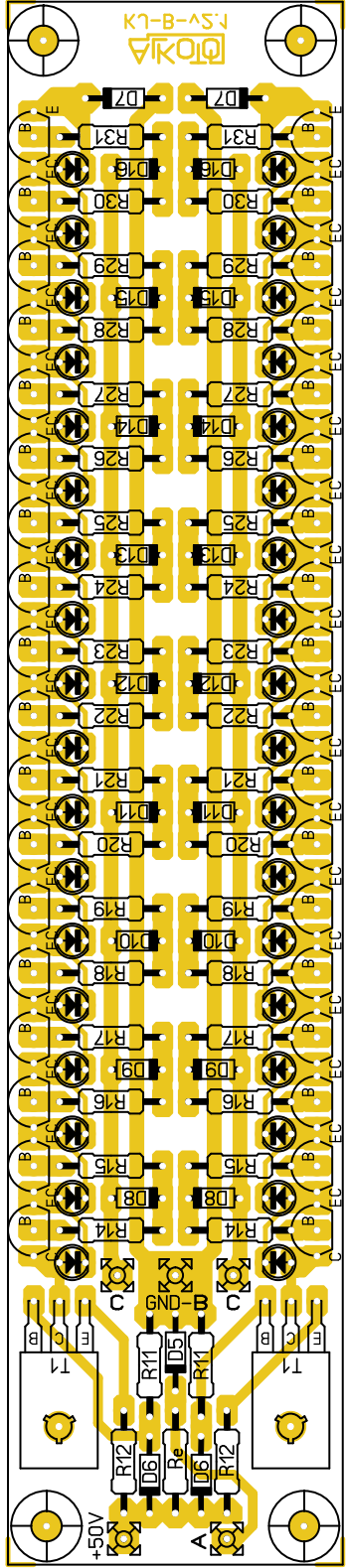


Smc3P=SE,2x22,8;mhcfst <- mm8F,3P×22,27



K7-B-AS10

Smc3P=SE,2x22,8;mhcfst <- mm8F,3P×22,27



K7-B-AS10

Smc3P=SE,2x22,8;mhcfst <- mm8F,3P×22,27