



GE
Lighting

37

kWh/1000h

A

energy class

86

lumens/watt

T8 Watt-Miser™ - G13 Cap
FT8/32W/840/GE/WM/SL1/25

62528



Product information

T8 Watt-Miser™ lamps are triphosphor fluorescent lamps with 26mm outer diameter for indoor applications. These new lamps offer significant energy savings versus standard T8 linear fluorescent lamps.

Application areas



Retail



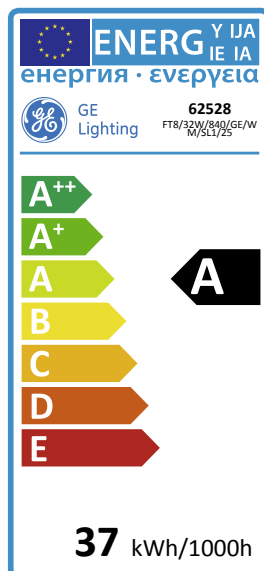
Office



Education



Industrial



Product data

Product Code	62528
Bulb Shape	Tubular
Bulb Diameter [mm]	26
Regulatory comment	EUP related
Bulb maximum overall diameter [mm]	26
Cap to Cap Length (Max) [mm]	1199.4
Net weight per piece [g]	182
Gross weight per piece [g]	210
Mercury Content [mg]	2.9
UV radiance	Exempt
Brand	General Electric (GE)
Cap/Base	G13

Performance data

Colour Code	840
Lumen at 25°C [lm]	2750
Weighted energy consumption [kWh/1000h]	36.87
Rated efficacy [lm/W]	89
Energy efficiency class (EEC)	A
Rated Life [h]	15000
Rated median life on electromagnetic (EM / CCG) ballast on IEC 12-hour cycle	18000
Rated median life on electronic (HF / ECG) ballast on IEC 23000 12-hour cycle	20000
Rated median life on electronic (HF / ECG) ballast on IEC 20000 3-hour cycle	20000
Nominal correlated colour temperature (CCT) [K]	4000
Nominal lumens [lm]	2750
Colour Rendering Index (CRI) [Ra]	85

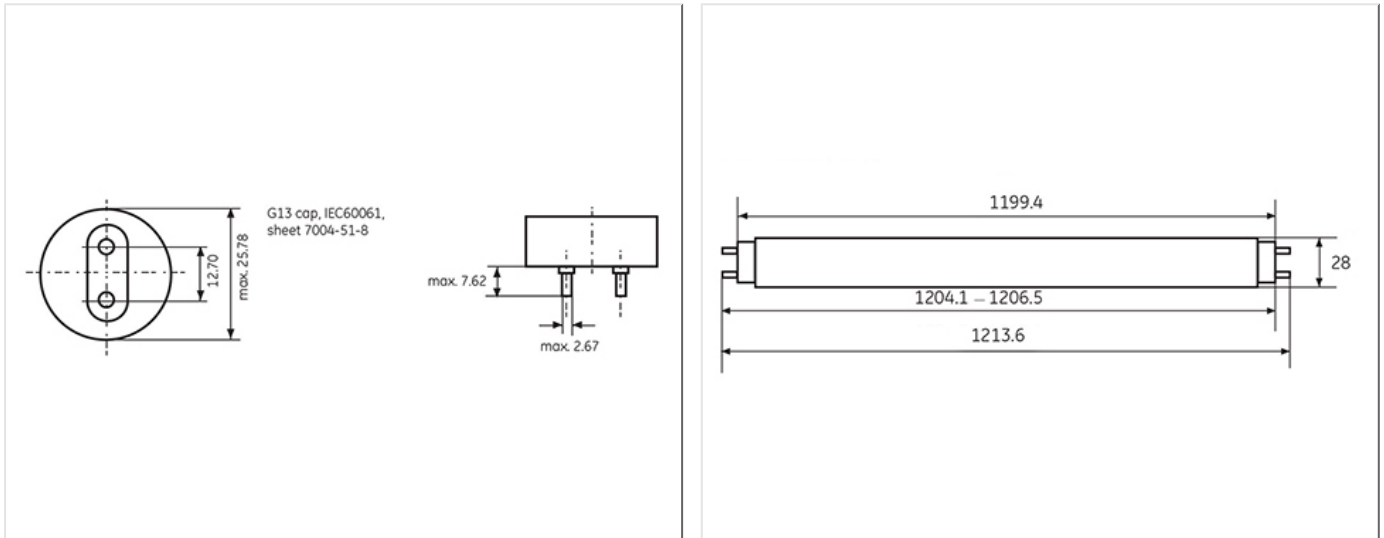
Electrical data

Design Ambient Temperature [°C]	30
Design Lamp ambient temperature [°C]	30
Starting ambient temperature range	-15
Dimming Capability	Yes
Nominal power [W]	32

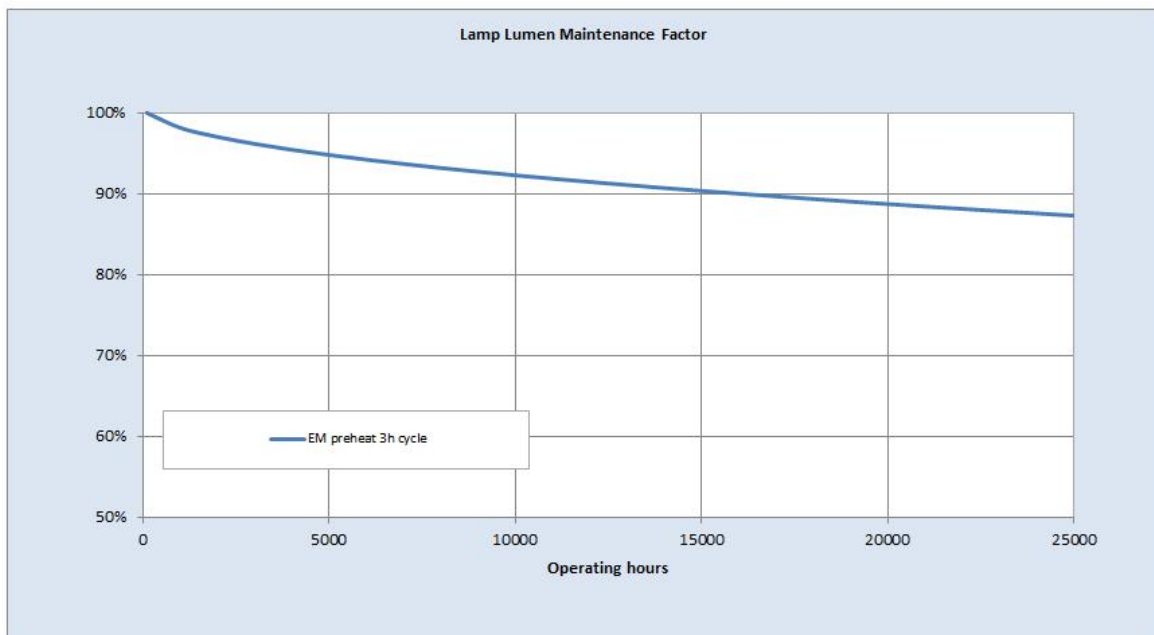
Logistic data

DUN Code	10043168625286
EAN Code	0043168967501
Pack Quantity	25
Inner pack type	SLEEVE
Outer pack type	OUTER BOX
Layer quantity	250 EUR, 300 UK
Layer quantity EUR	250
Layer quantity UK	300
Pallet quantity EUR (PC)	1500
Pallet quantity UK (PC)	1800
Outer case size	1230 x 150 x 145 (mm)
Product status	Available

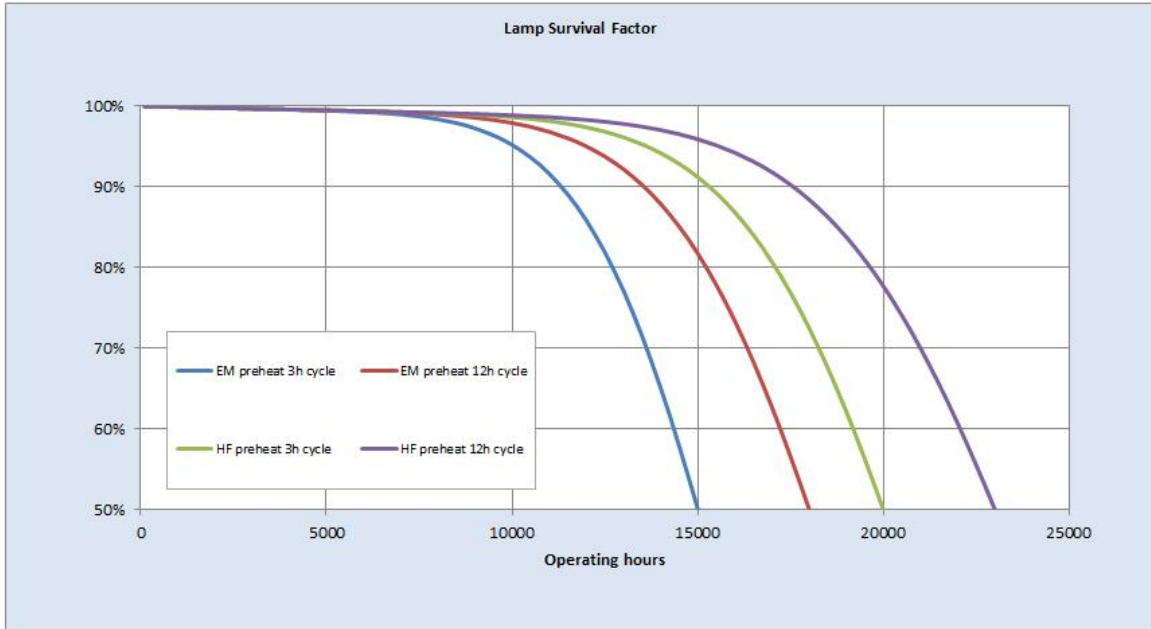
Technical drawing



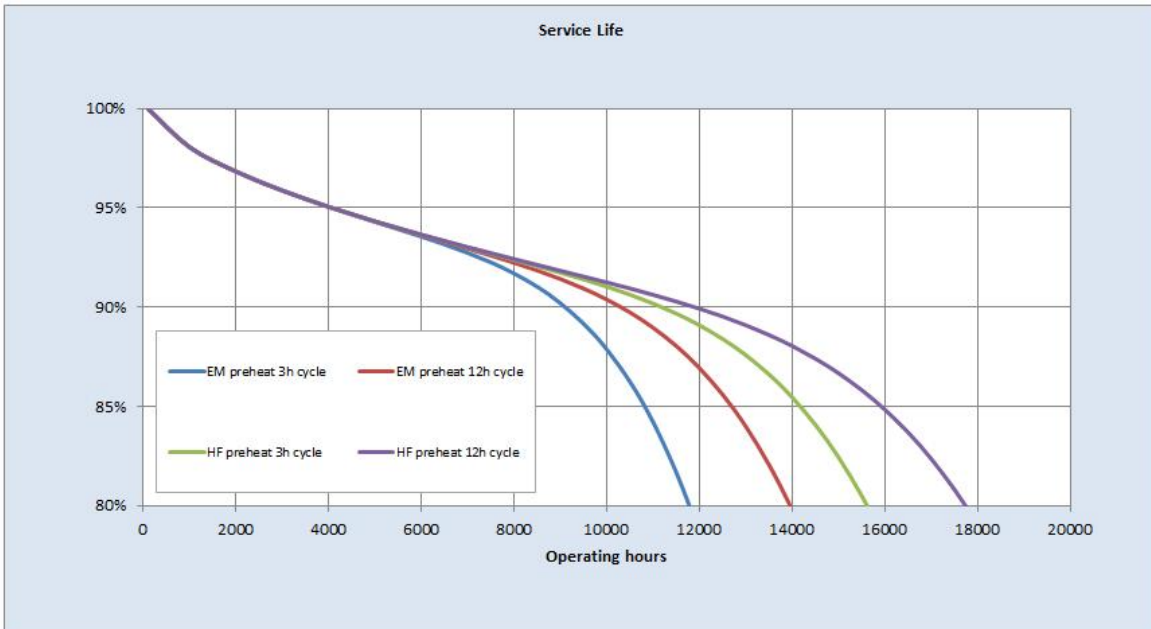
Lumen maintenance data



Survival data



Service life data



Downloads & Links

[Go to the catalog site \(HTTP\)](#)

[Linear Fluorescent Lamps Catalogue \(PDF\)](#)

[Lighting design tools & calculators \(HTTP\)](#)

[High-res images / Technical drawings \(HTTP\)](#)

[Certificate for the Quality Management System of GE Lighting EMEA \(PDF\)](#)

[Certificate for the Environmental Management System of GE Lighting EMEA \(PDF\)](#)