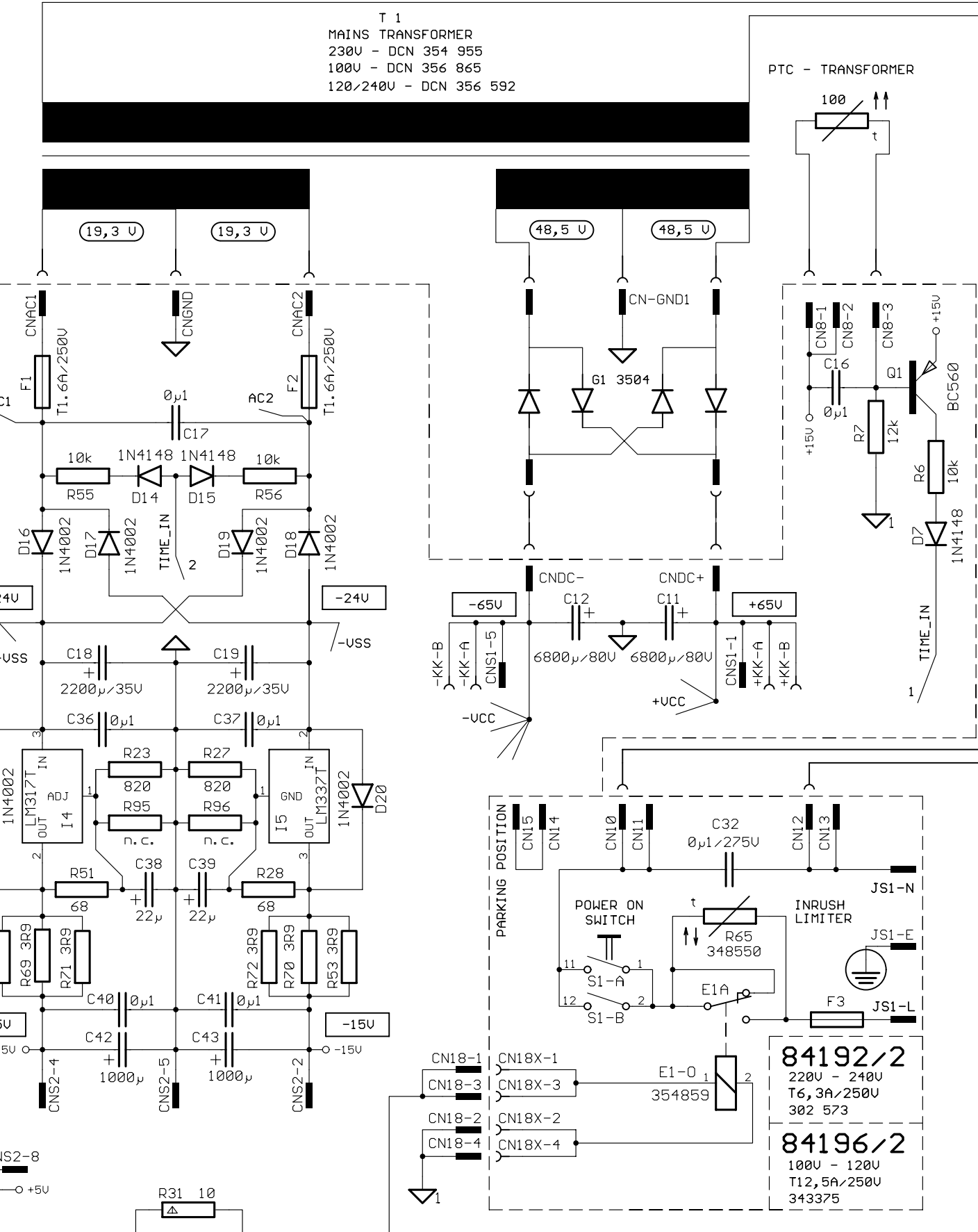
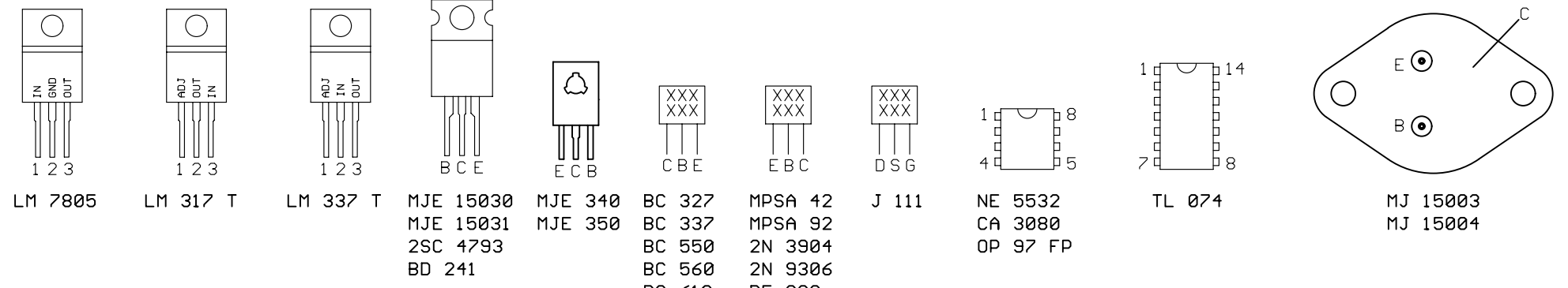


- SAFETY COMPONENT, FLAMEPROOF RESISTOR (MUST BE REPLACED BY ORIGINAL PART)
- POWER RESISTOR 4 WATT
- AC VOLTAGE 1000 HZ, MEASURED WITH UTM
- DC VOLTAGE MEASURED WITH VOLTMETER 100k OHM/V
- AC VOLTAGE 50/60 HZ MEASURED VOLTMETER 2000 OHMS/V



230V - 240V 84192/1
100V - 120V 84196/1

ALTERATIONS RESERVED

15	99	02-99	Stangl
15	99	01-99	Stangl
15	99	02-99	Stangl
15	99	01-99	Stangl
15	99	02-99	Stangl
15	99	01-99	Stangl
15	99	02-99	Stangl
15	99	01-99	Stangl
15	99	02-99	Stangl
15	99	01-99	Stangl

84192C

CIRCUIT DIAGRAM

354 953
PowerMate 600