

DX626

PROFESSIONAL 3-CHANNEL DJ MIXER WITH BPM COUNTER



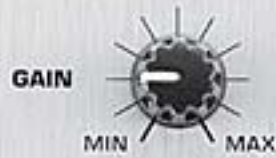
MIC INPUT



LAMP
12V
400mA



POWER



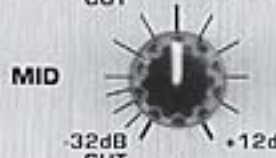
GAIN

MIN MAX



HIGH

-32dB CUT +12dB



MID

-32dB CUT +12dB



LOW

-32dB CUT +12dB



MIC

LINE
PHONO

CH-1

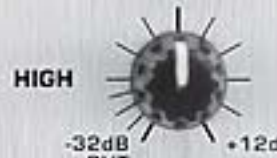


10
9
8
7
6
5
4
3
2
1
0



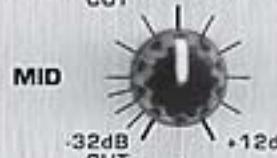
GAIN

MIN MAX



HIGH

-32dB CUT +12dB



MID

-32dB CUT +12dB



LOW

-32dB CUT +12dB



PHONO

LINE

CH-2



10
9
8
7
6
5
4
3
2
1
0

TALK



GAIN

MIN MAX



HIGH

-32dB CUT +12dB



MID

-32dB CUT +12dB



LOW

-32dB CUT +12dB



PHONO

LINE

CH-3



10
9
8
7
6
5
4
3
2
1
0



CH-1

CH-2

CH-3



MIN

MAX

CUE



CUE

MASTER

BPM



CH-2

CH-2

CROSSFADER

CH-3

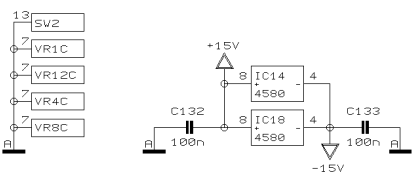
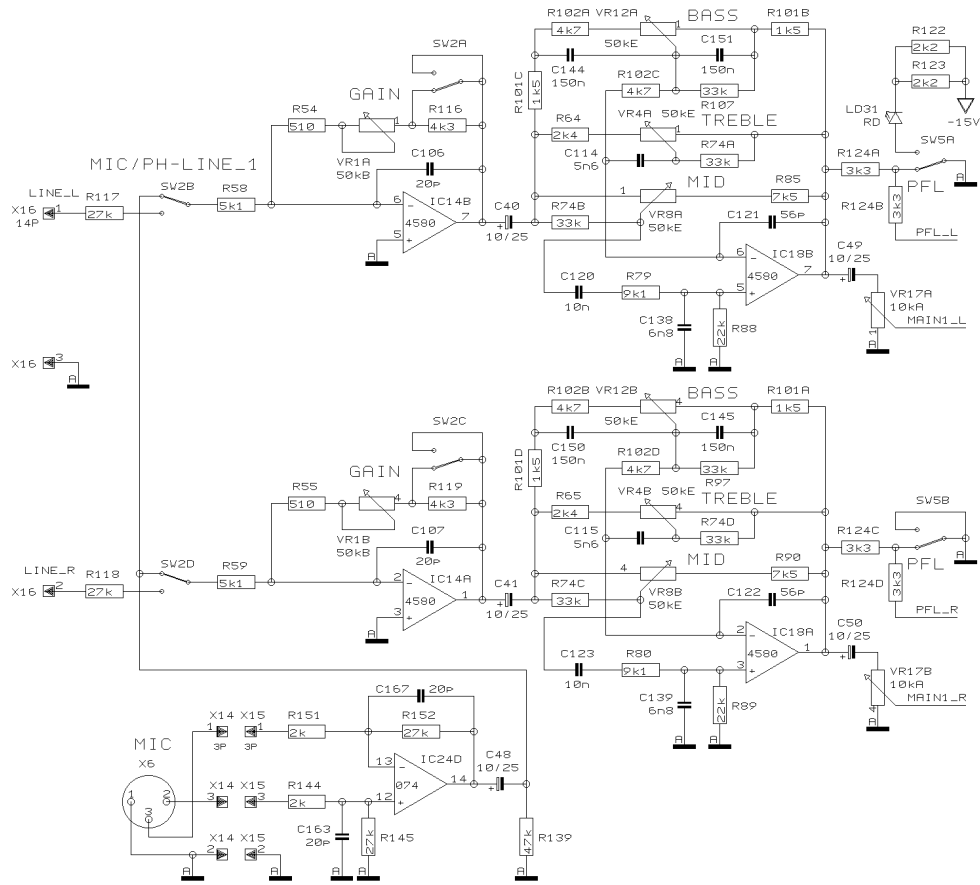


BPM



CH-3

PHONES



REVISIONS
G (04/12/02)

DRAWN
BHK

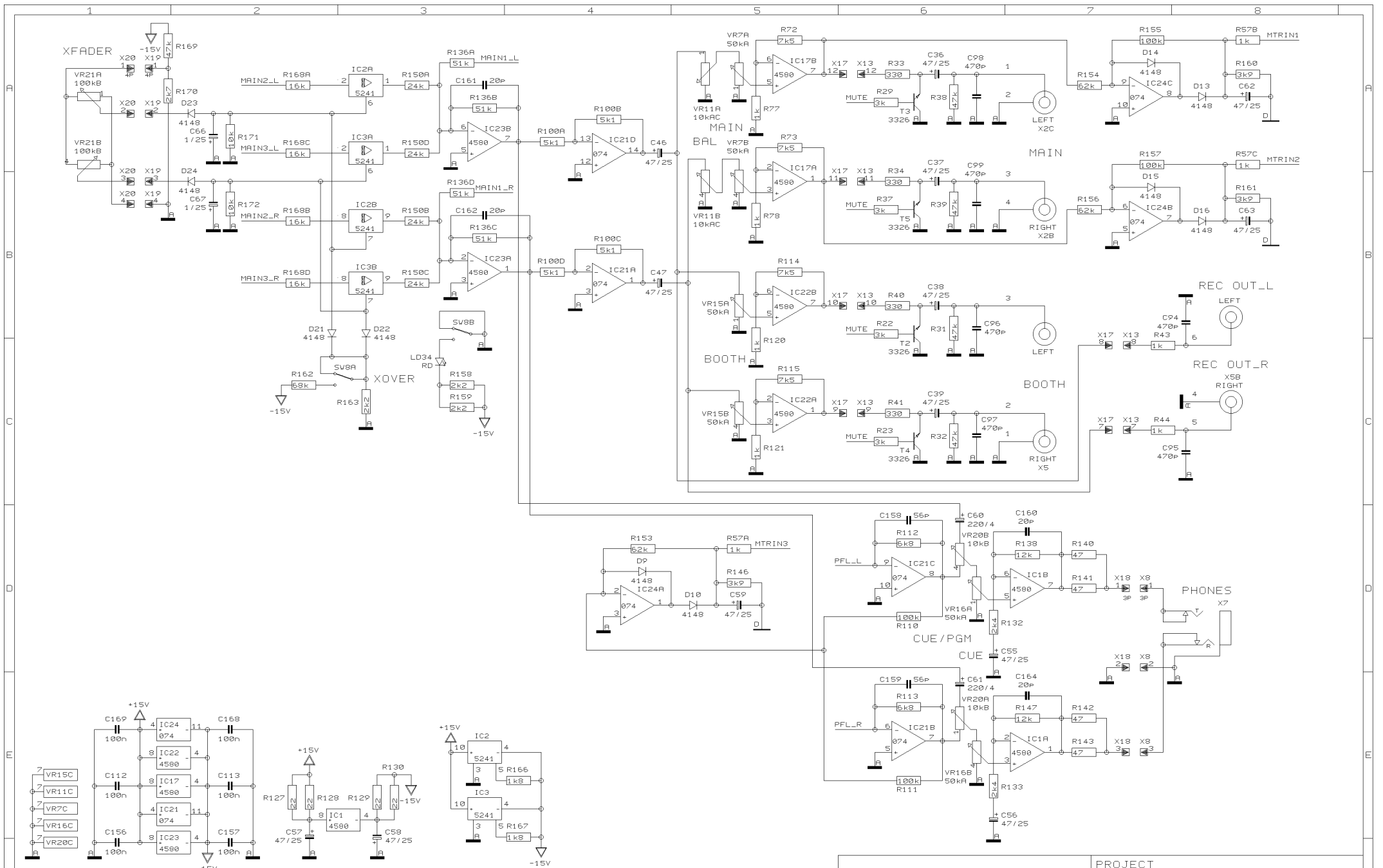
CHECKED

DATE 04.03. 3
15:18



PROJECT
DX626
PRO MIXER
INPUT CHANNEL_1

SHEET 1 OF 5 SHEETS TOTAL

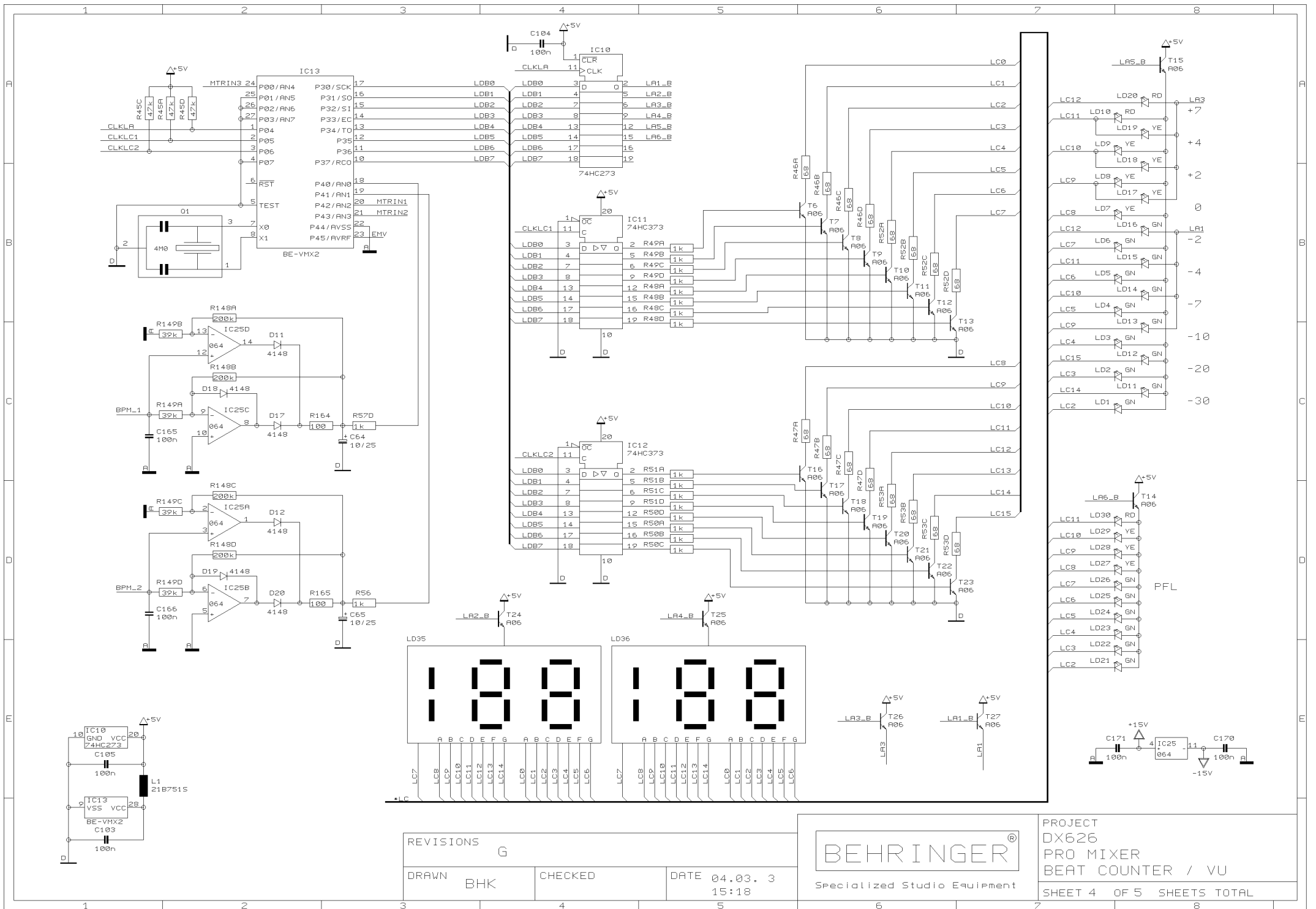


REVISIONS		G	
DRAWN	BHK	CHECKED	DATE 04.03. 3 15:18



PROJECT
DX626
PRO MIXER
MAIN SECTION

SHEET 3 OF 5 SHEETS TOTAL



REVISIONS
G

DRAWN
BHK

CHECKED

DATE 04.03. 3
15:18



PROJECT
DX626
PRO MIXER
BEAT COUNTER / VU
SHEET 4 OF 5 SHEETS TOTAL

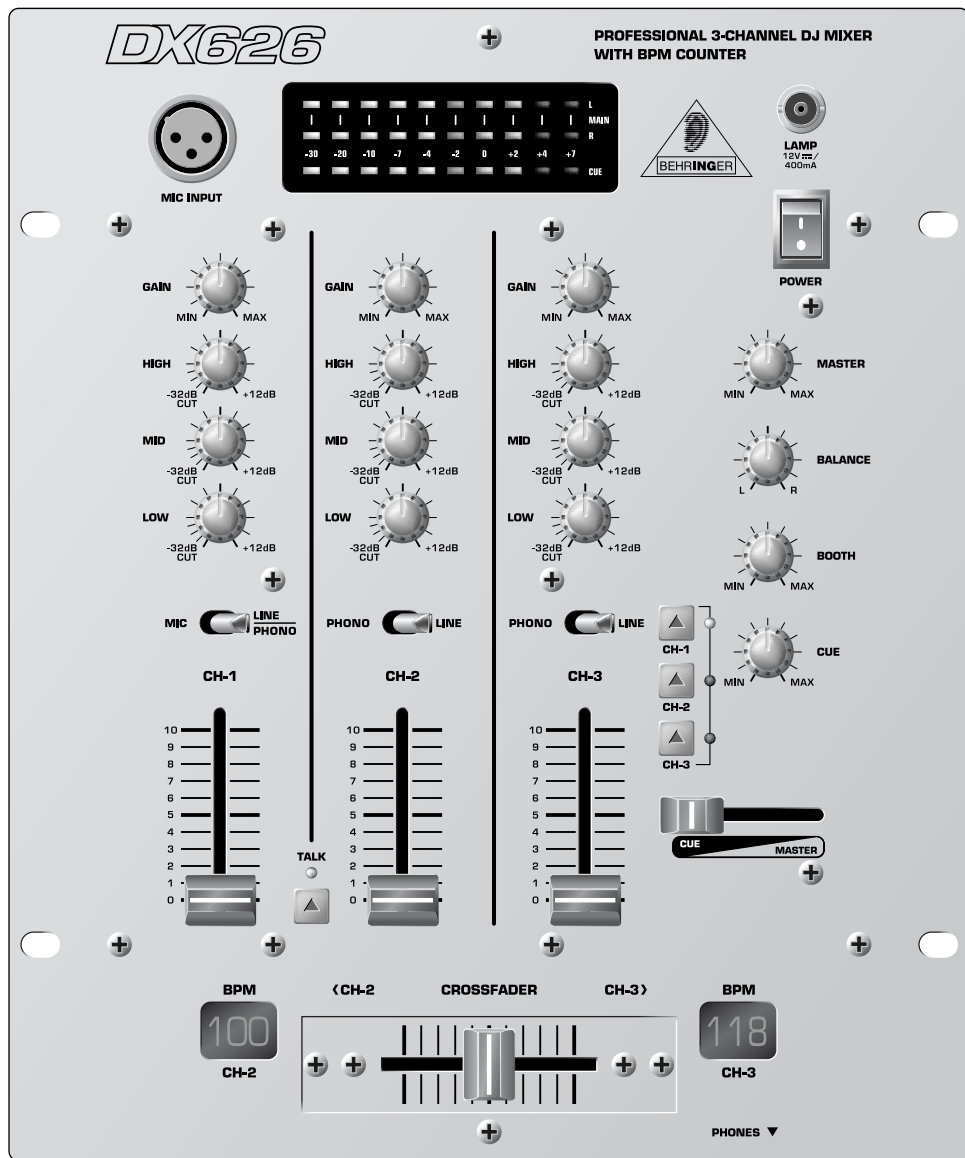
DX626

PRO MIXER

Technical Specifications

Version 1.1 February 2003

ENGLISH



PRO MIXER

Professional 3-Channel DJ Mixer with BPM Counter

- ▲ Intelligent dual auto-BPM counter
- ▲ Super-smooth dual-rail “Ultraglide” crossfader with up to 500,000 life cycles
- ▲ Three dual input stereo channels with gain and 3-band kill EQ (-32 dB)
- ▲ One channel additionally switchable to studio-grade ULN microphone input
- ▲ Manual talkover function
- ▲ PFL function with master/PFL mix option
- ▲ Peak-hold level meter with dedicated PFL bargraph
- ▲ Master, booth and tape outputs
- ▲ BNC gooseneck lamp socket
- ▲ Gold-plated cinch sockets for excellent audio quality
- ▲ Super-rugged construction ensures long life, even under the most demanding conditions
- ▲ Manufactured under ISO9000 certified management system

DX626

SPECIFICATIONS

AUDIO INPUTS

Mic	40 dB Gain, elec. balanced input
Phono 1, 2 and 3	40 dB Gain @ 1 kHz, unbalanced inputs
Line 1, 2 and 3	0 dB Gain, unbalanced inputs

AUDIO OUTPUTS

Master	max. +21 dBu @ +10 dB (Line In)
Booth	max. +21 dBu @ +10 dB (Line In)
Tape	type. 0 dBu Phones type. 125 mΩ @ 1% THD

EQUALIZER (+/-8 dB)

Stereo Low	+12 dB/-32 dB @ 50 Hz
Stereo Mid	+12 dB/-32 dB @ 1.2 kHz
Stereo High	+12 dB/-32 dB @ 10 kHz
Mic Low	+12 dB/-32 dB @ 50 Hz
Mic Mid	+12 dB/-32 dB @ 1.2 kHz
Mic High	+12 dB/-32 dB @ 10 kHz

TALKOVER BUTTON (MIC) -16 dB

LAMP (BNC) 12 V/400 mA

GENERAL

Signal-to-noise ratio (S/N)	> 87 dB (Line)
Crosstalk	> 70 dB (Line)
Distortion (THD)	< 0.05%
Frequency response	20 Hz - 20 kHz
Gain control range	-16 dB - +6 dB

POWER SUPPLY

Mains Voltage	USA/Canada 120 V ~, 60 Hz U.K./Australia 240 V ~, 50 Hz Europe 230 V ~, 50 Hz
General	
Export Model	100-120V~, 200-240V~, 50-60Hz
Power Consumption	max. 15 W
Fuse	100 - 120 V ~: T 500 mA H 200 - 240 V ~: T 315 mA H
Mains Connection	Standard IEC Receptacle

DIMENSIONS/WEIGHT

Dimensions (H x W x D)	approx. 2.4"/3.6" (61 mm/91 mm) x 10" (254 mm) x 12" (305 mm)
Weight	approx. 2.4 kg

BEHRINGER makes every effort to ensure the highest standard of quality. Necessary modifications are carried out without notice. Thus, the specifications and design of the device may differ from the information given in this publication.

PRO MIXER DX626

The information contained in this publication is subject to change without notice. No part of this publication may be reproduced or transmitted in any form or by any means, electronic or mechanical, including photocopying and recording of any kind, for any purpose, without the express written permission of BEHRINGER Spezielle Studiotechnik GmbH.

BEHRINGER is a registered trademark. ALL RIGHTS RESERVED.

© 2003 BEHRINGER Spezielle Studiotechnik GmbH.

BEHRINGER Spezielle Studiotechnik GmbH, Hanns-Martin-Schleyer-Str. 36-38, 47877 Willich-Münchheide II, Germany
Tel. +49 (0) 21 54 / 92 06-0, Fax +49 (0) 21 54 / 92 06-30
