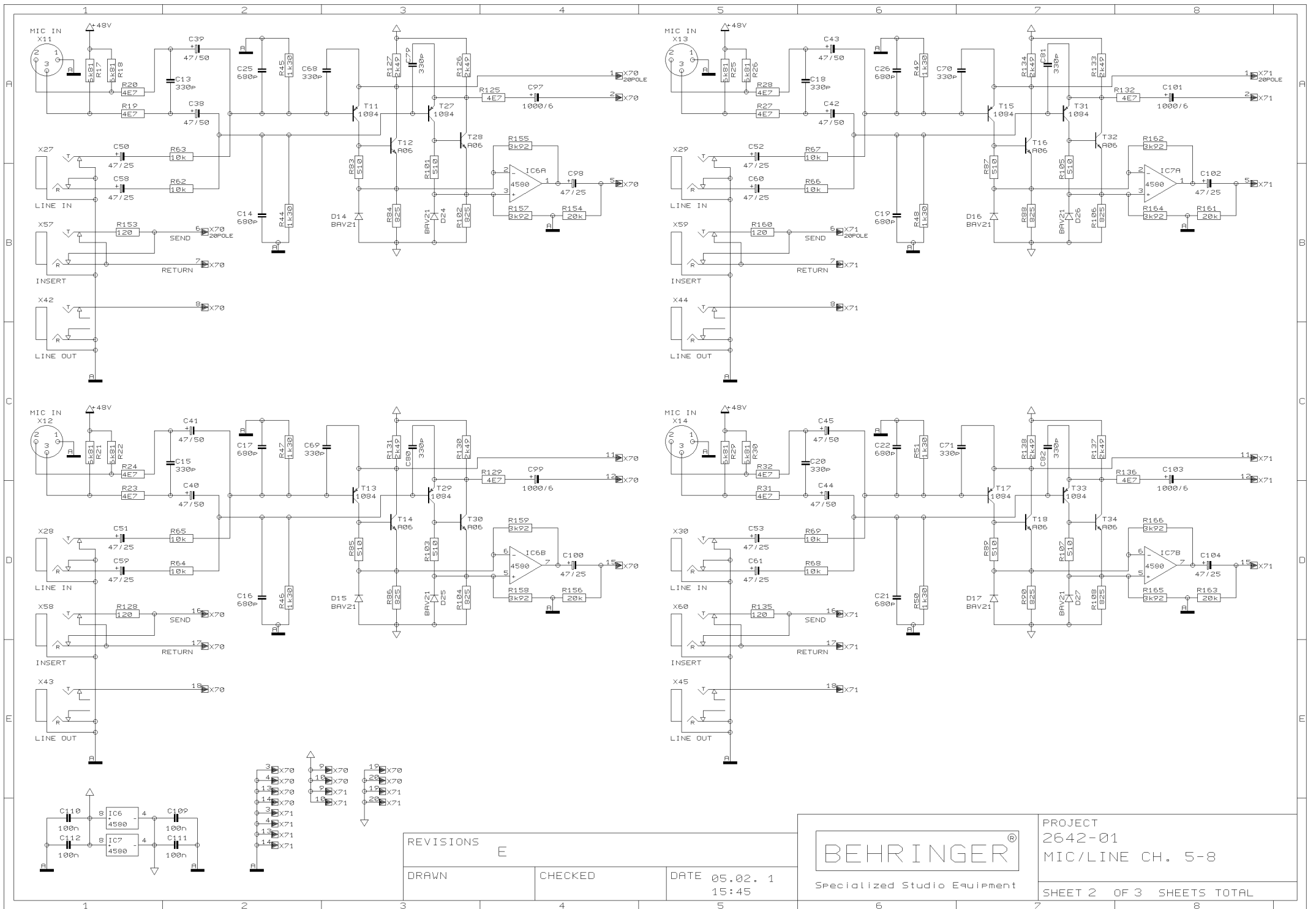


REVISIONS	E	
DRAWN	CHECKED	DATE 05.02. 15:45



PROJECT
2642-01
MIC/LINE CH. 1-4
SHEET 1 OF 3 SHEETS TOTAL



REVISIONS

E

DRAWN

CHECKED

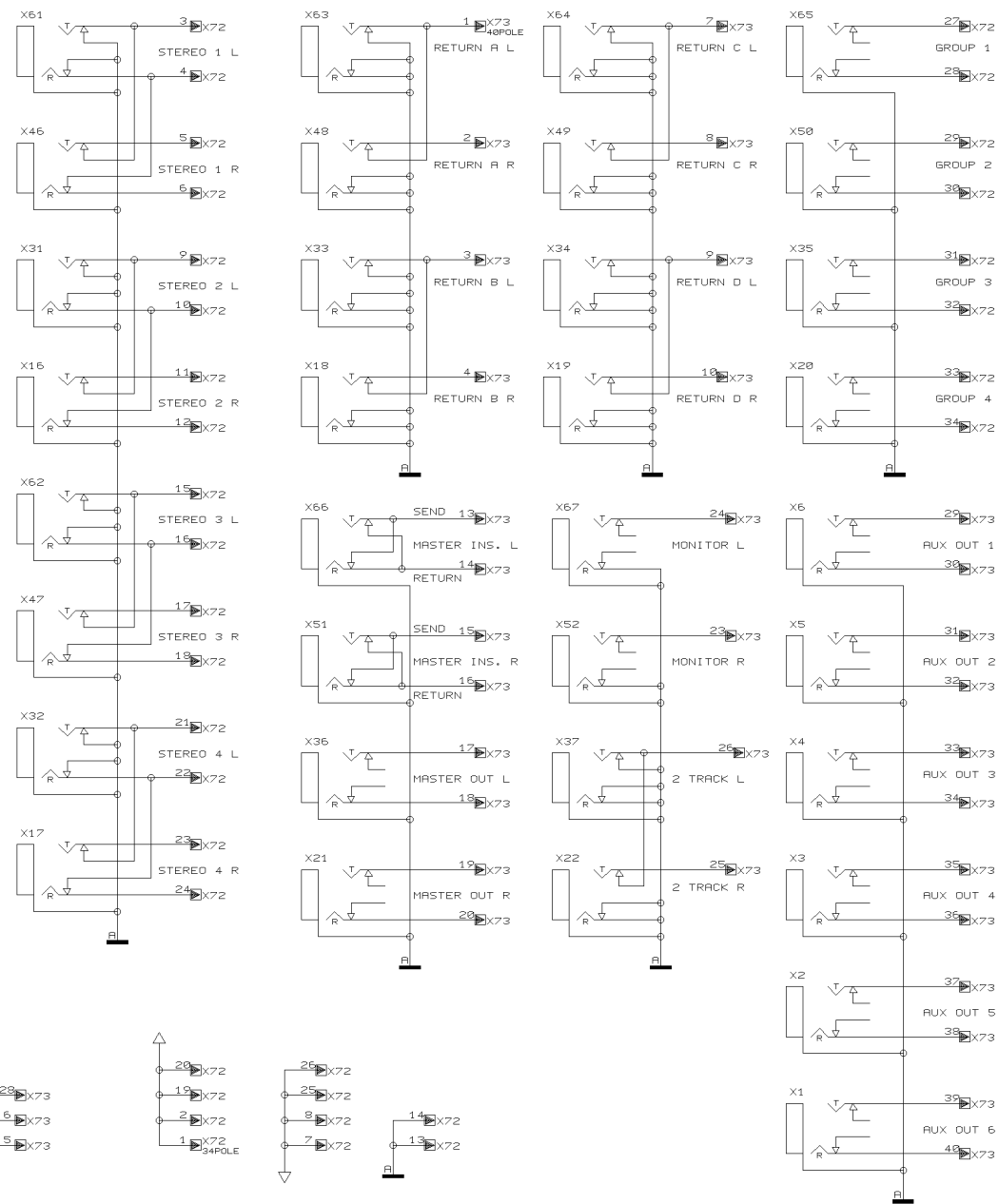
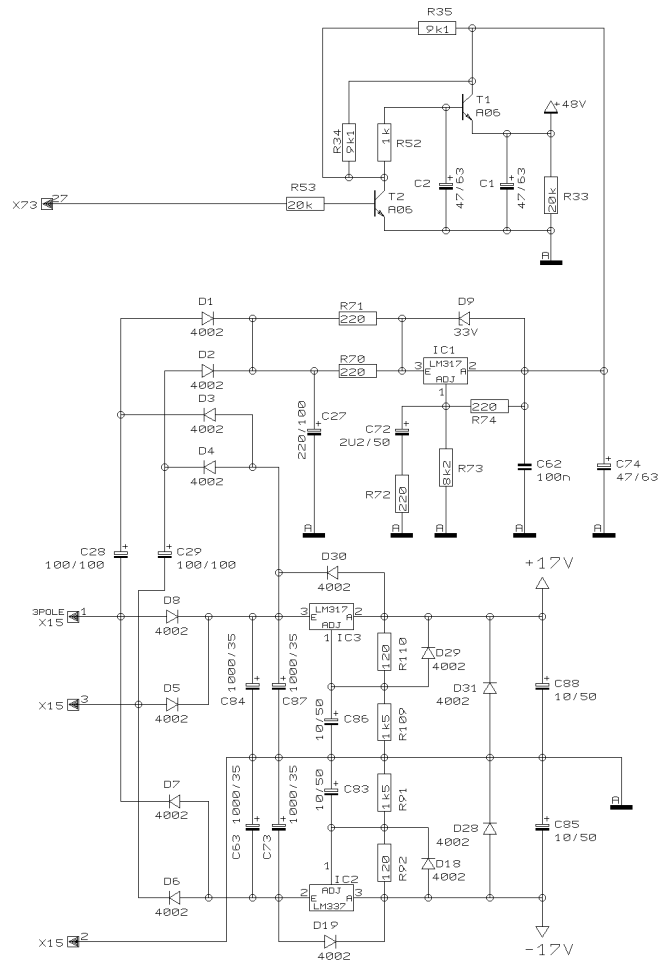
DATE 05.02. 1
15:45

BEHRINGER®

Specialized Studio Equipment

PROJECT
2642-01
MIC/LINE CH. 5-8

SHEET 2 OF 3 SHEETS TOTAL



REVISIONS

E

DRAWN

CHECKED

DATE 05.02. 1
15:45



Specialized Studio Equipment

PROJECT
2642-01
POWER SUPPLY & I/O

SHEET 3 OF 3 SHEETS TOTAL