

# Service information



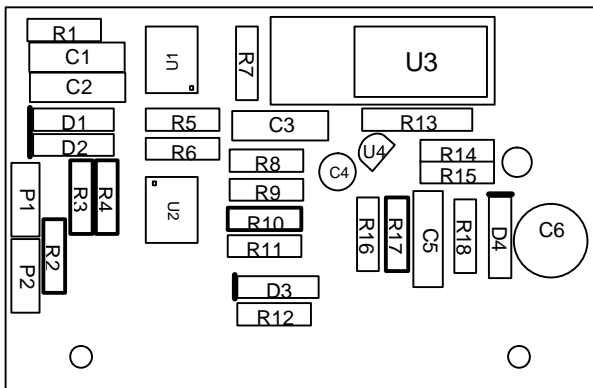
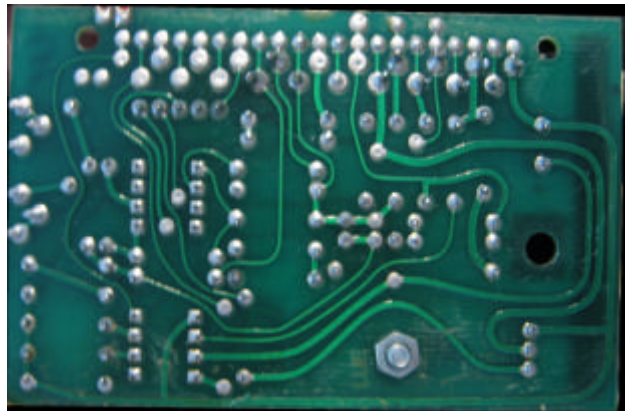
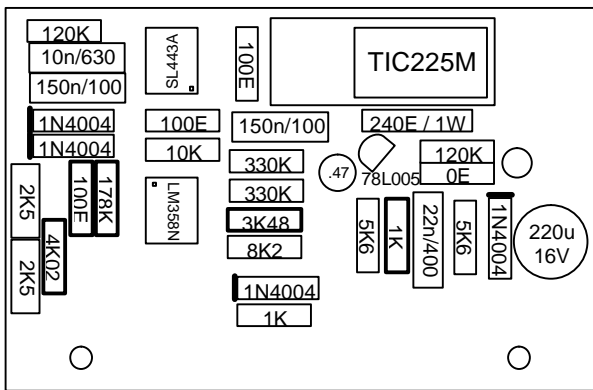
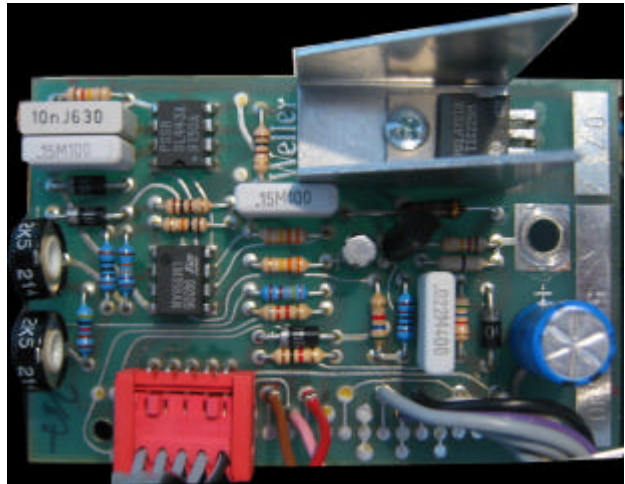
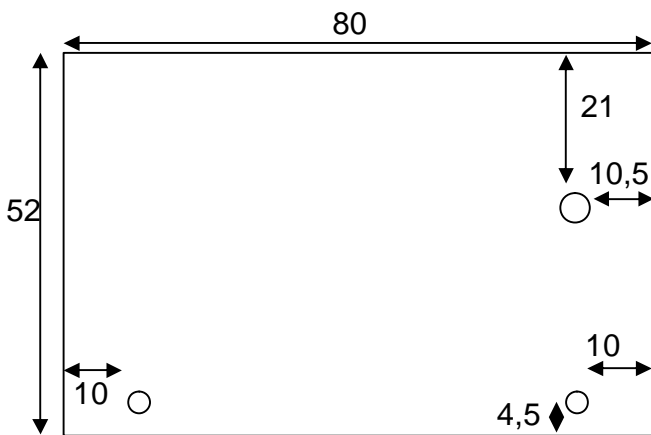
**WELLER** ©  
**EC-2002 Soldering station**

# **WARNING**

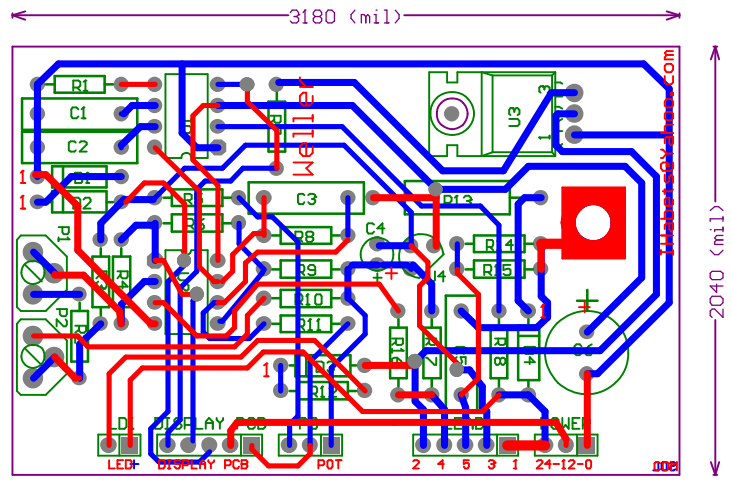
**THIS IS NOT ORIGINAL INFORMATION  
FROM WELLER. THEREFORE THE  
AUTHOR CAN NOT BE HELD  
RESPONSIBLE FOR ANY MISTAKE.**

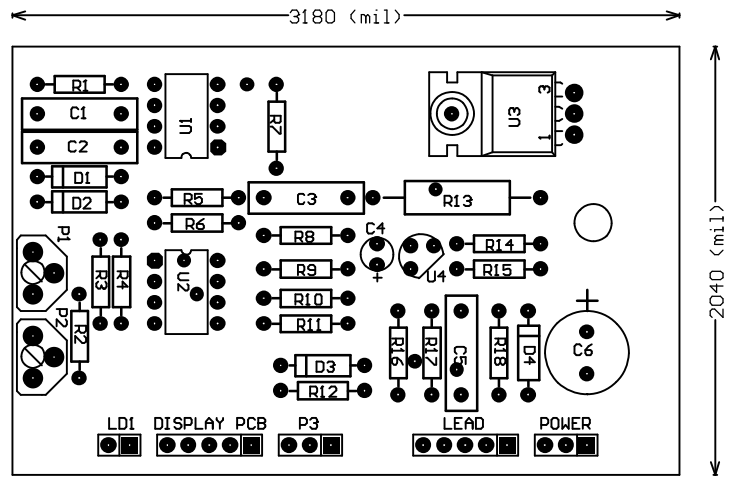
**FOR INFORMATION ONLY**

# Weller EC-2002 CONTROL PCB

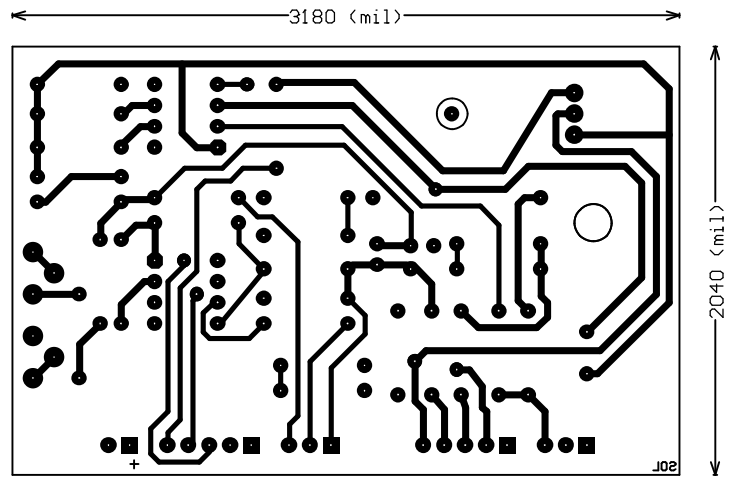






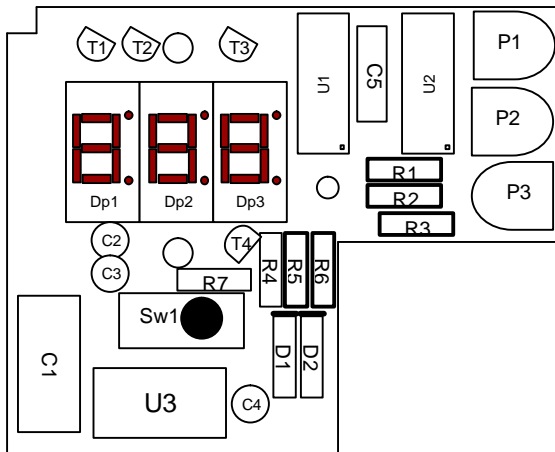
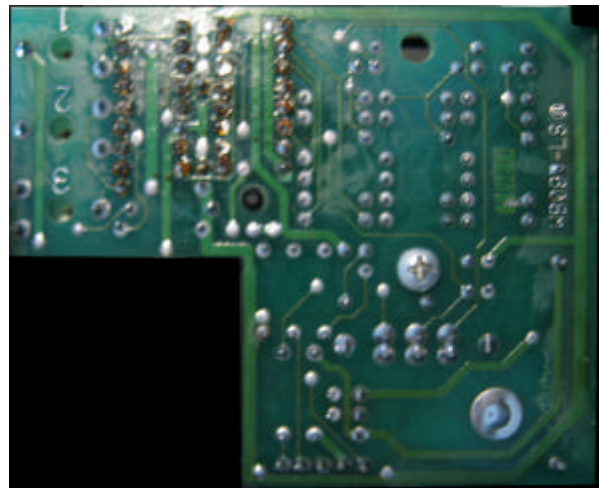
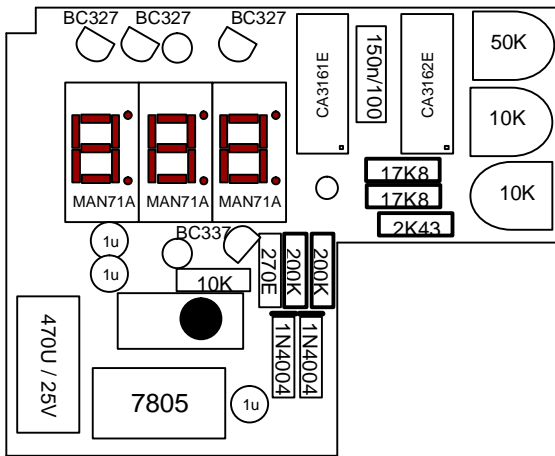
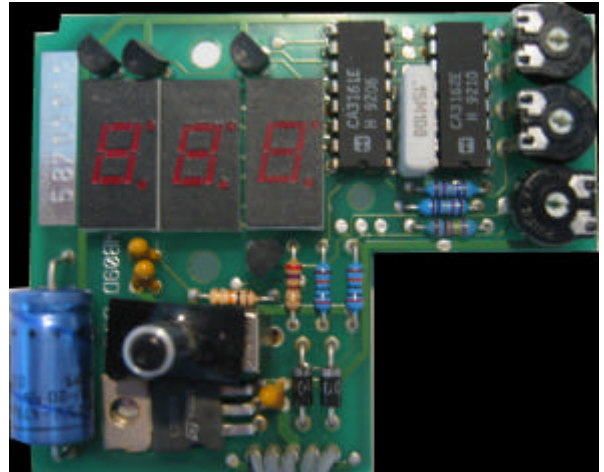
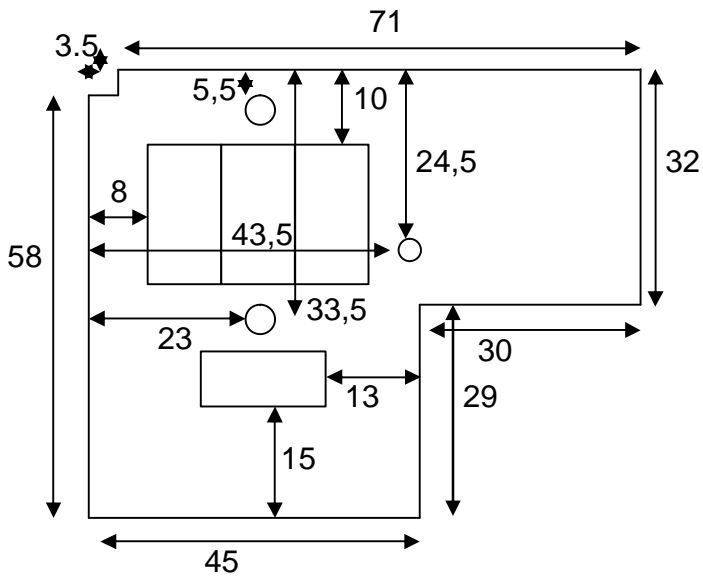


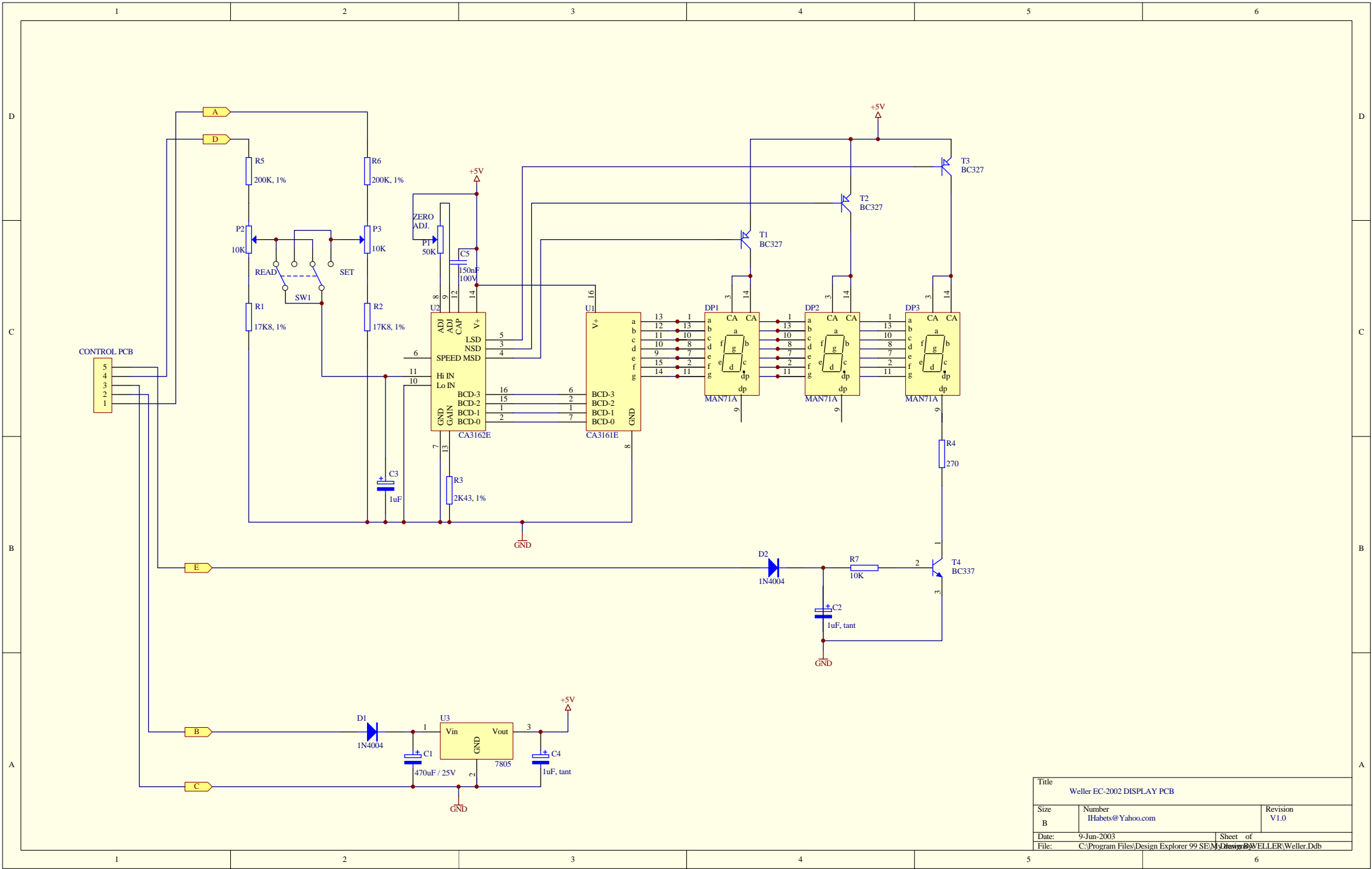






# Weller EC-2002 DISPLAY PCB





Title Weller EC-2002 DISPLAY PCB		
Size B	Number IHabets@Yahoo.com	Revision V1.0
Date: 9-Jun-2003	Sheet of	
File: C:\Program Files\Design Explorer 99 SEM\DESIGN\WELLER\Weller.Ddb		

