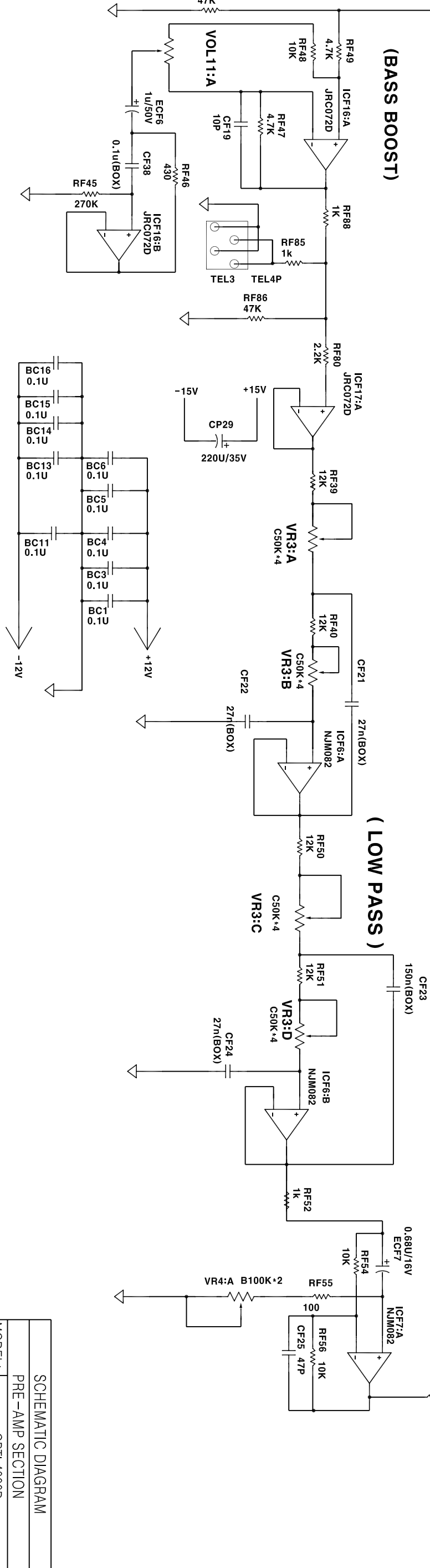
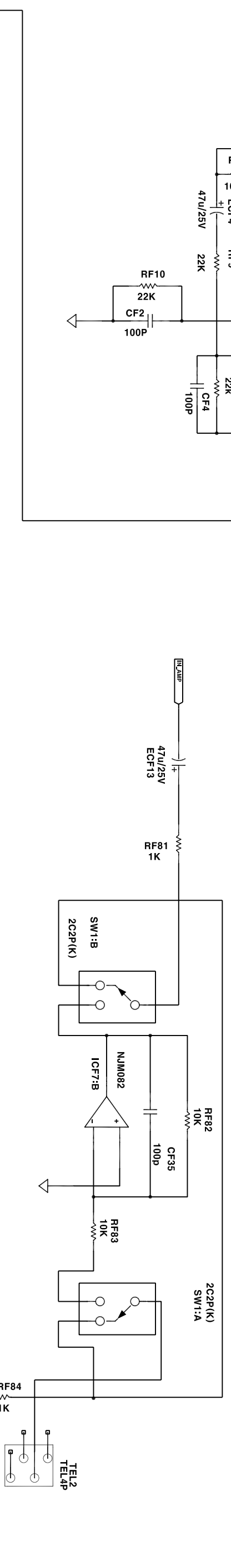
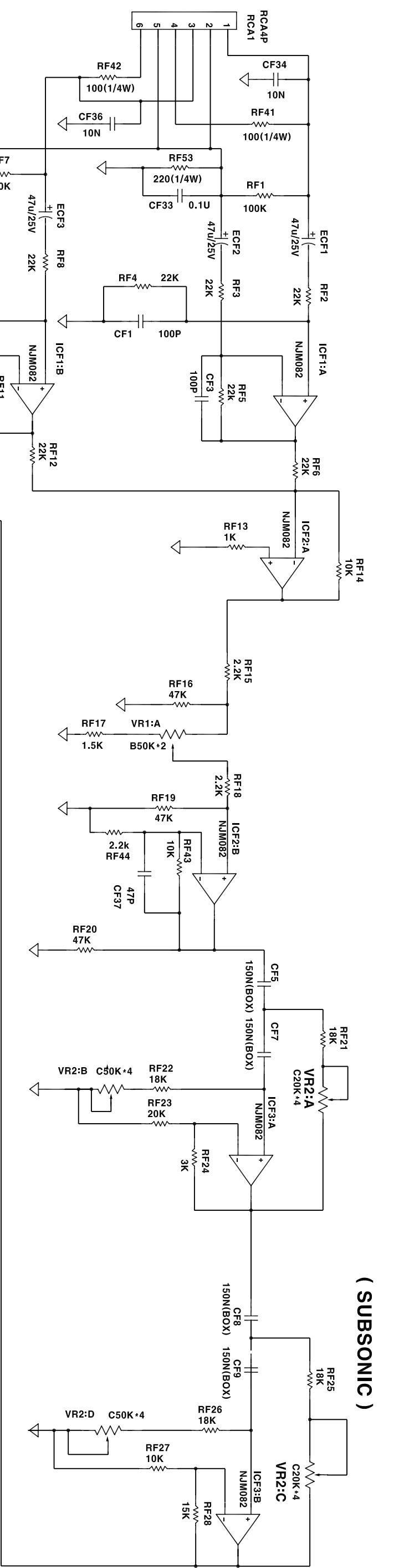
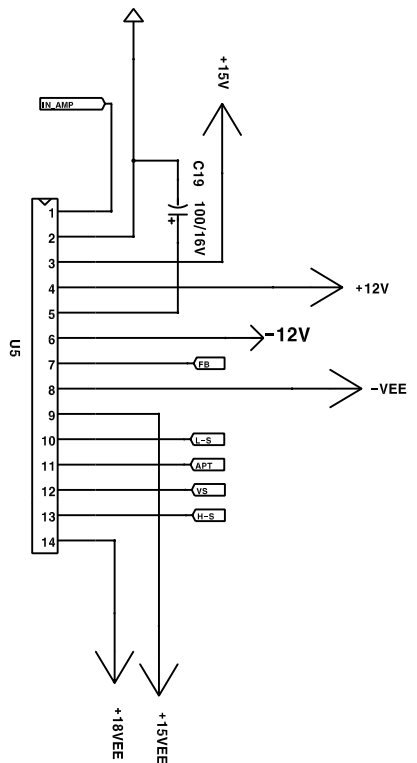


ON:GMD

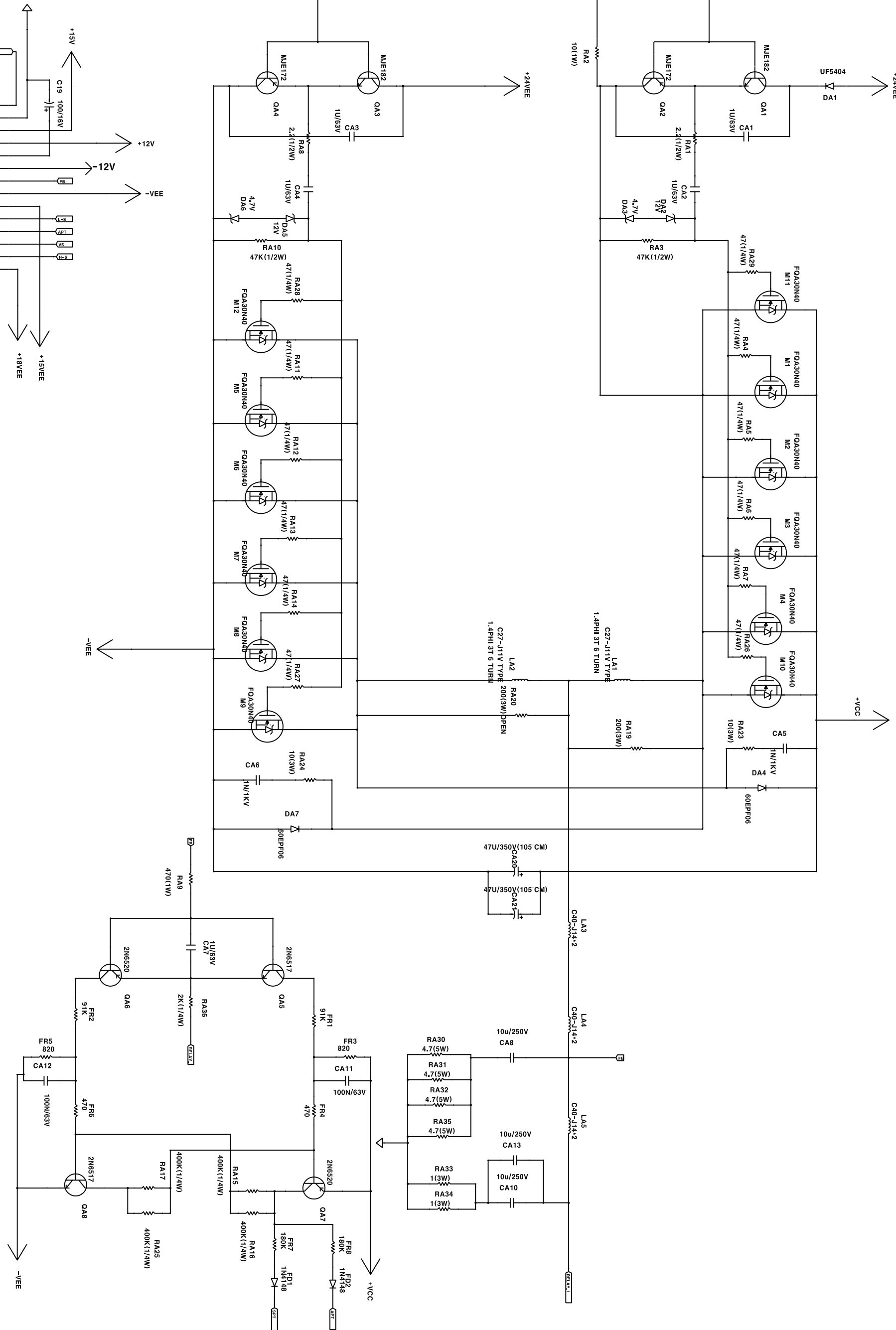


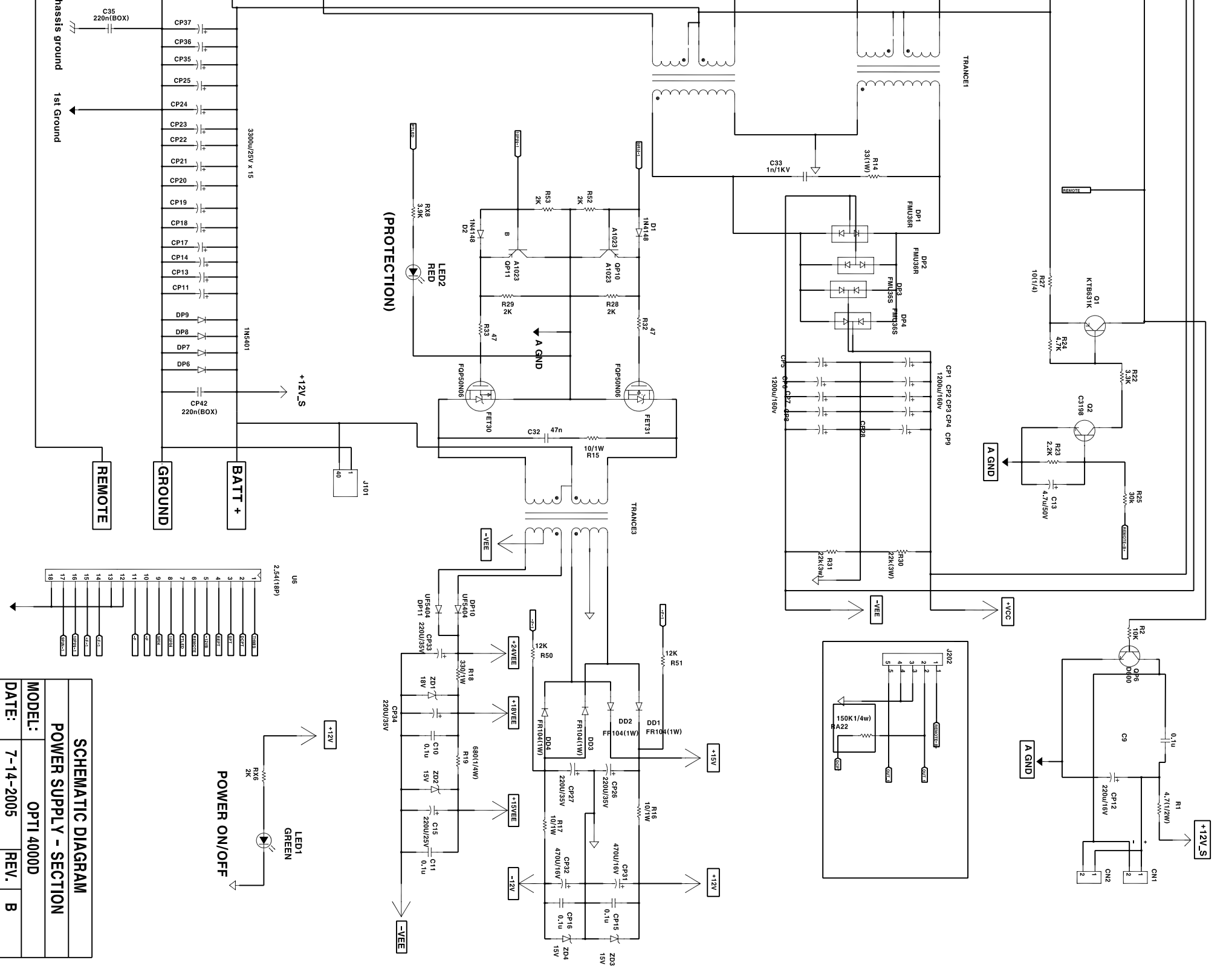
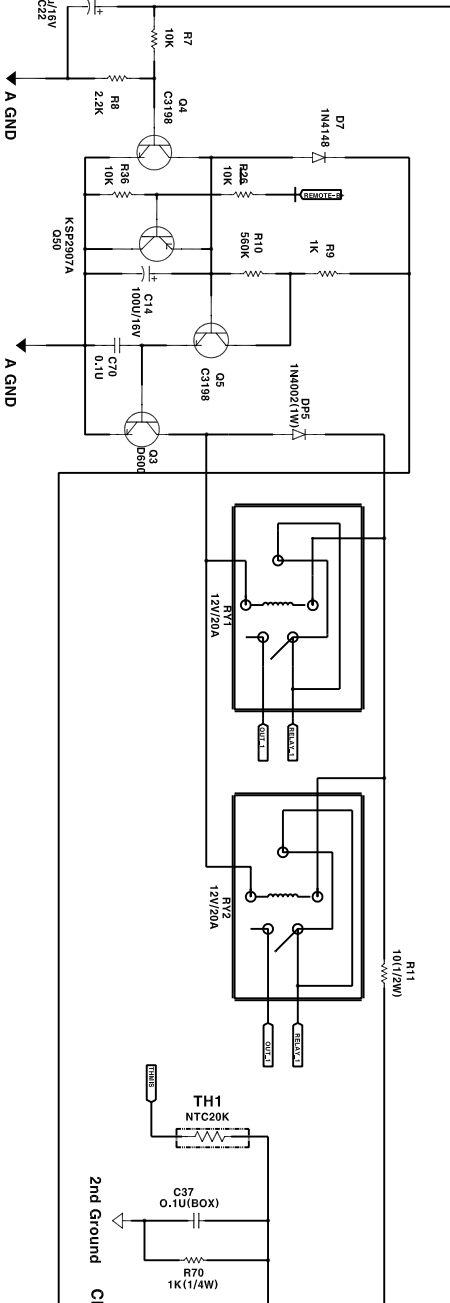
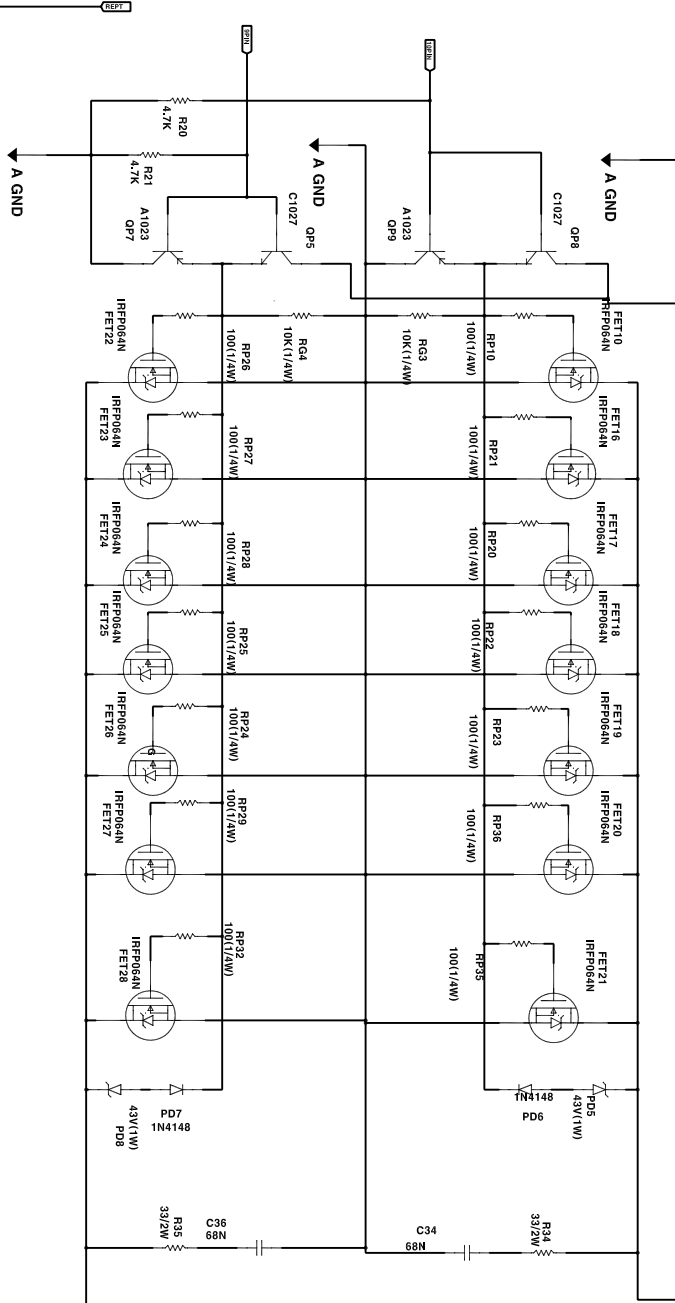
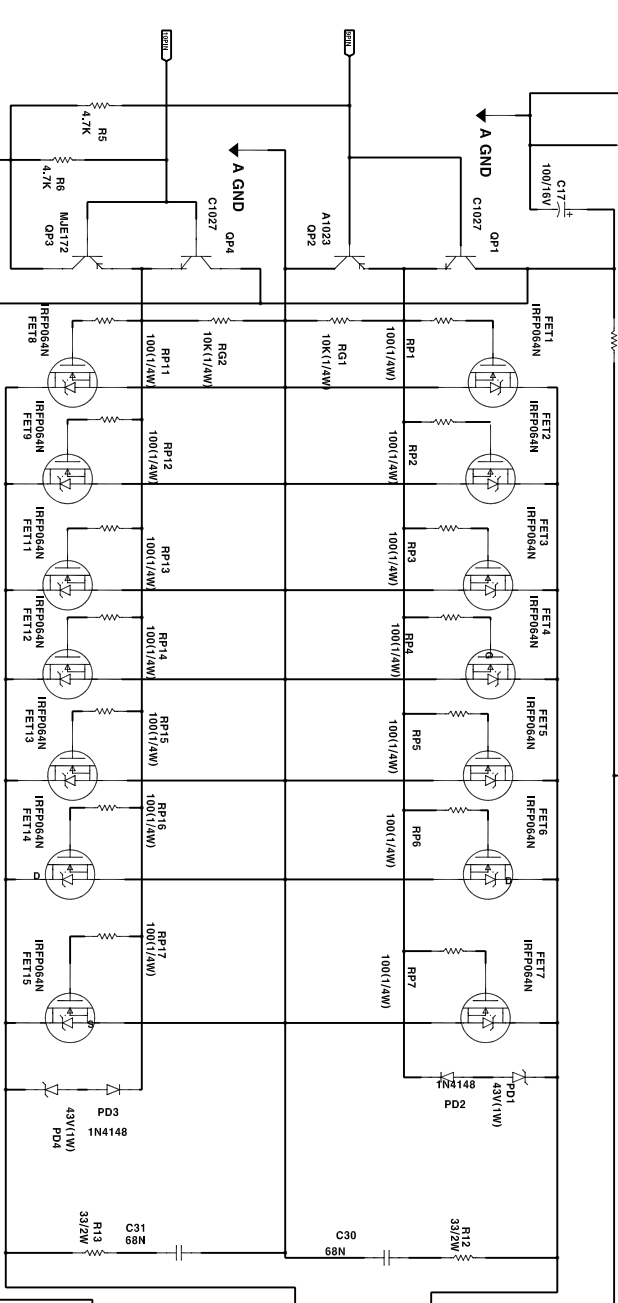
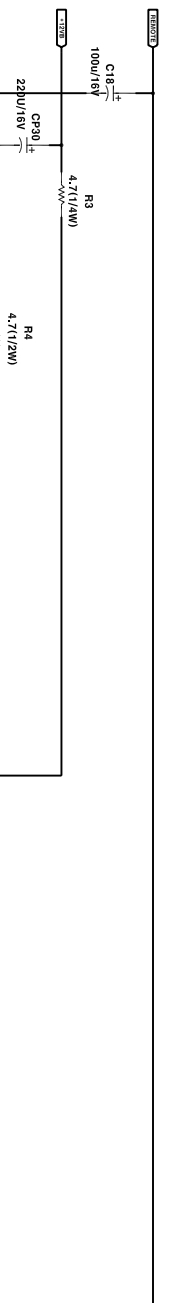
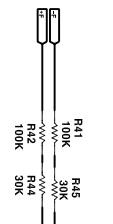
SCHEMATIC DIAGRAM			
PRE-AMP SECTION			
MODEL:	OPTI 4000D		
DATE:	7-14-2005	REV.	A



SCHEMATIC DIAGRAM  
AMP-SECTION

MODEL:	OPT1 4000D
DATE:	7-14-2005 REV. A





SCHEMATIC DIAGRAM	
POWER SUPPLY - SECTION	
MODEL:	OPT1 4000D
DATE:	7-14-2005
REV.	B