

AV RECEIVER**Service Manual****TX-RZ800**

- ✓ Pre Issue (2015-Aug)
- ✓ Final Issue (2015-Sep)

**CONTENTS**

- ✓ [Front Cover \(This page\)](#)
- ✓ [Note for Parts List](#)
- ✓ [Panel](#)
- ✓ [Reset](#)
- ✓ [Amp Diag Mode after Abnormal Conditions](#)
- ✓ [Model and Destination](#)
- Firmware
- ✓ [Adjustment](#)
- ✓ [Hookup and Setting](#)
- Trouble Shoot
- Disassembly
- ✓ [Schematic Diagram](#)
- ✓ [Exploded View](#)
- Appendix

SAFETY-RELATED COMPONENT WARNING!! : COMPONENTS IDENTIFIED BY MARK Δ ON THE SCHEMATIC DIAGRAM AND IN THE PARTS LIST ARE CRITICAL FOR RISK OF FIRE AND ELECTRIC SHOCK. REPLACE THESE COMPONENTS WITH ONKYO PARTS WHOSE PART NUMBERS APPEAR AS SHOWN IN THIS MANUAL. MAKE LEAKAGE-CURRENT OR RESISTANCE MEASUREMENTS TO DETERMINE THAT EXPOSED PARTS ARE ACCEPTABLY INSULATED FROM THE SUPPLY CIRCUIT BEFORE RETURNING THE APPLIANCE TO THE CUSTOMER.

ONKYO®

Published by Onkyo & Pioneer Corporation Global CS Department

File Name of Parts List File (EXCEL File)

Note for Parts List

When parts list is EXCEL file, please refer to the following explanation about file name.

PL_ **TX-SR343** (**B**) **MJJ** .xlsx

Model No.

Color

Destination

Look at the rear panel serial number 6 digit.

○ ○ ○ ○ ○ J ○ ○ ○ ○ ○ ○ ○ ○ ○ ○ ○

Voltage

Look at the rear panel serial number 5 digit.

○ ○ ○ ○ J ○ ○ ○ ○ ○ ○ ○ ○ ○ ○ ○

Color

- (B) Black
- (BR) Brown
- (C) Cherry
- (G) Gold
- (GR) Green
- (H) Gray
- (K) Black
- (L) Blue
- (LB) Light Blue
- (M) Wood
- (O) Orange
- (P) Pink
- (R) Red
- (S) Silver
- (V) Violet
- (W) White
- (Y) Yellow

Voltage

- J 100V AC
- D 120V AC
- G 220~230V
- H 220~230/240V
- M 220~240V AC
- P 230V AC
- U 100~240V AC
- V 110~240V
- W 120V/220~240V

Destination

- J Japan
- C North American
- D USA
- F Taiwan
- S Brazil
- Q Hong Kong
- R China
- A Australia
- B United Kingdom
- K Korea
- L Russia
- P Europe
- U Worldwide

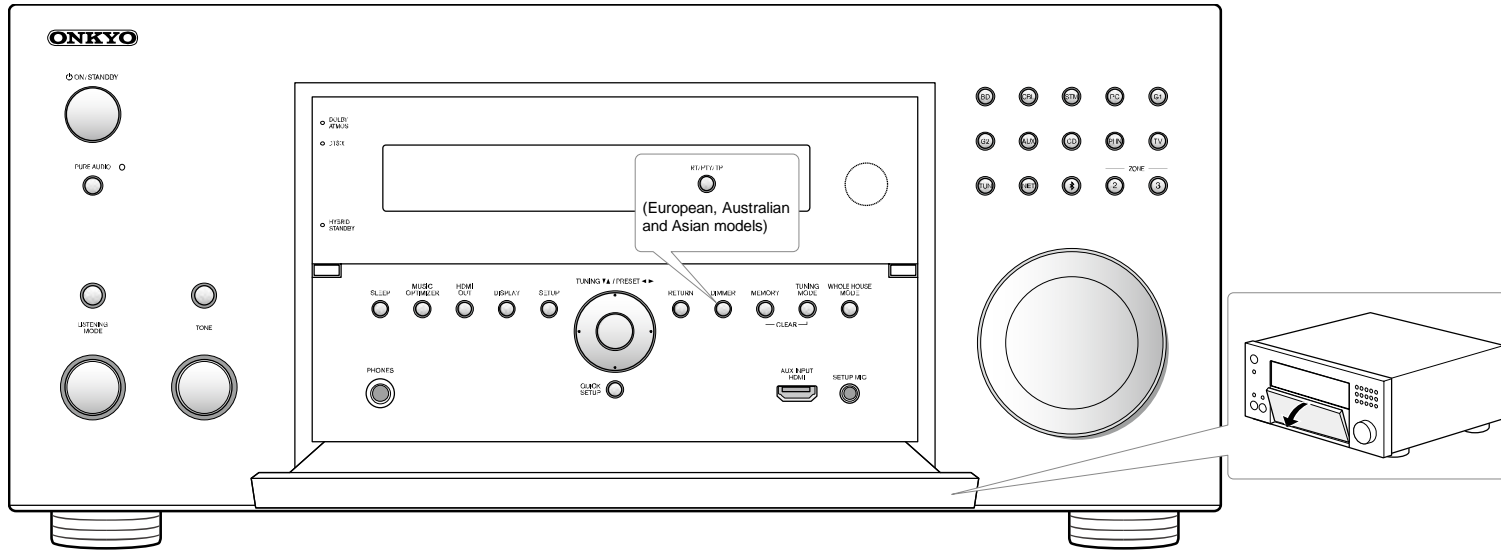
Speaker System (without AMP.) :

- L Left channel
- R Right channel
- 0 Center channel

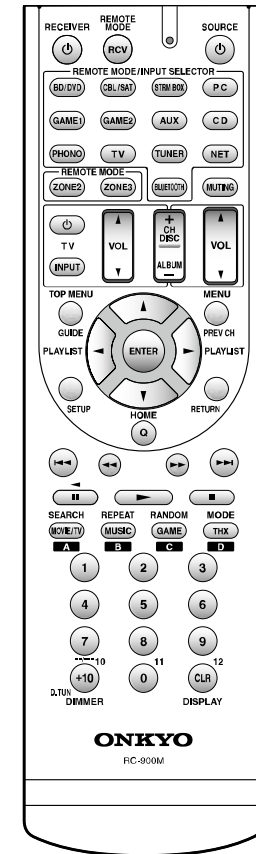
Speaker System (without AMP.) :

- 0 Passive Subwoofer
- F Front Speaker
- C Center Speaker
- R Rear Speaker
- B Back Speaker

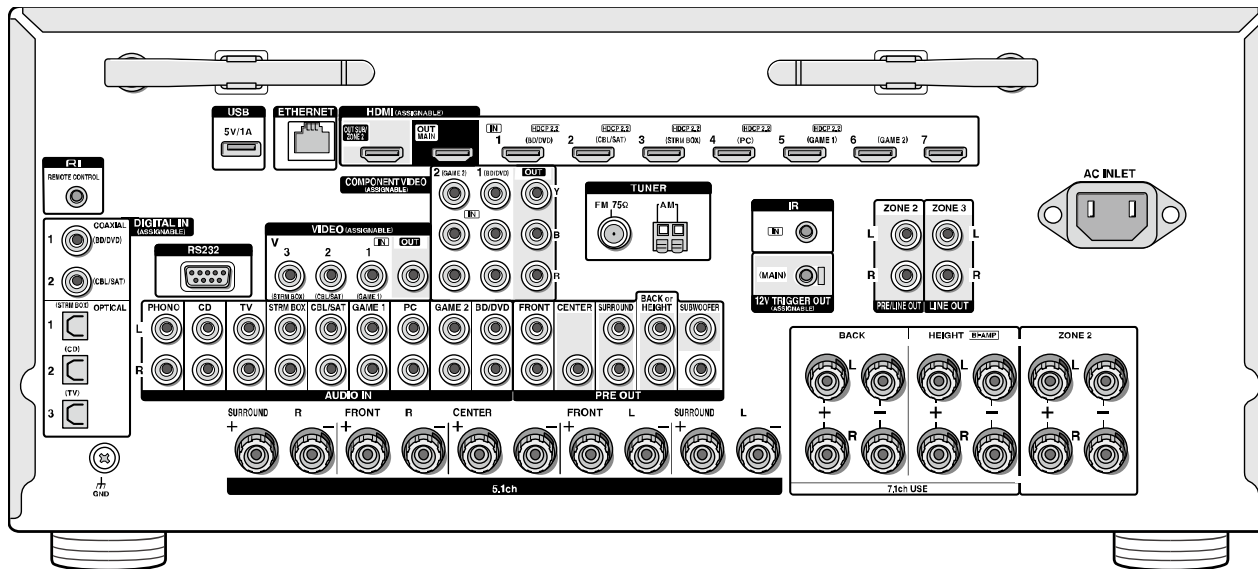
Front Panel



Remote Control Unit
RC-900M



Rear Panel



Accessory

- Indoor FM antenna --- (1)
- AM loop antenna --- (1)
- Remote controller (RC-900M) --- (1)
- Batteries (AA/R6) --- (2)
- Power cord --- (1)
- Speaker setup microphone --- (1)

* The number in parenthesis indicates the quantity. On packaging, the letter at the end of the product name indicates the color.

Dimensions (W × H × D) : 435 mm × 201.5 mm × 433.5 mm, 17-1/8" × 7-15/16" × 17-1/16"

Weight : 17.0 kg (37.5 lbs.)

How to Reset the Unit

Reset

● How to reset:

Step1

While holding down CBL on the main unit (note that step 2 must be performed with this button pressed down)

Step2

Press ON/STANDBY on the main unit. ("Clear" appears on the display and the unit returns to standby.)

- Do not unplug the power cord until "Clear" disappears from the display.

● How to reset the remote controller:

Step1

While holding down RCV on the remote controller, press Q until the remote indicator stays lit (about 3 seconds).

Step2

Within 30 seconds, press RCV again.

● リセット方法 :

1.

本体のCBLボタンを押しながら（必ず押した状態で2.の操作を行ってください）

2.

本体のON/STANDBYボタンを押す（表示部に「Clear」が表示されてスタンバイ状態に戻ります）

- 表示部から「Clear」が消えるまで、絶対に電源コードを抜かないでください。

● リモコンのリセット方法 :

1.

リモコンのRCVボタンを押しながら、リモートインジケータが点灯するまでQボタンを3秒以上押す

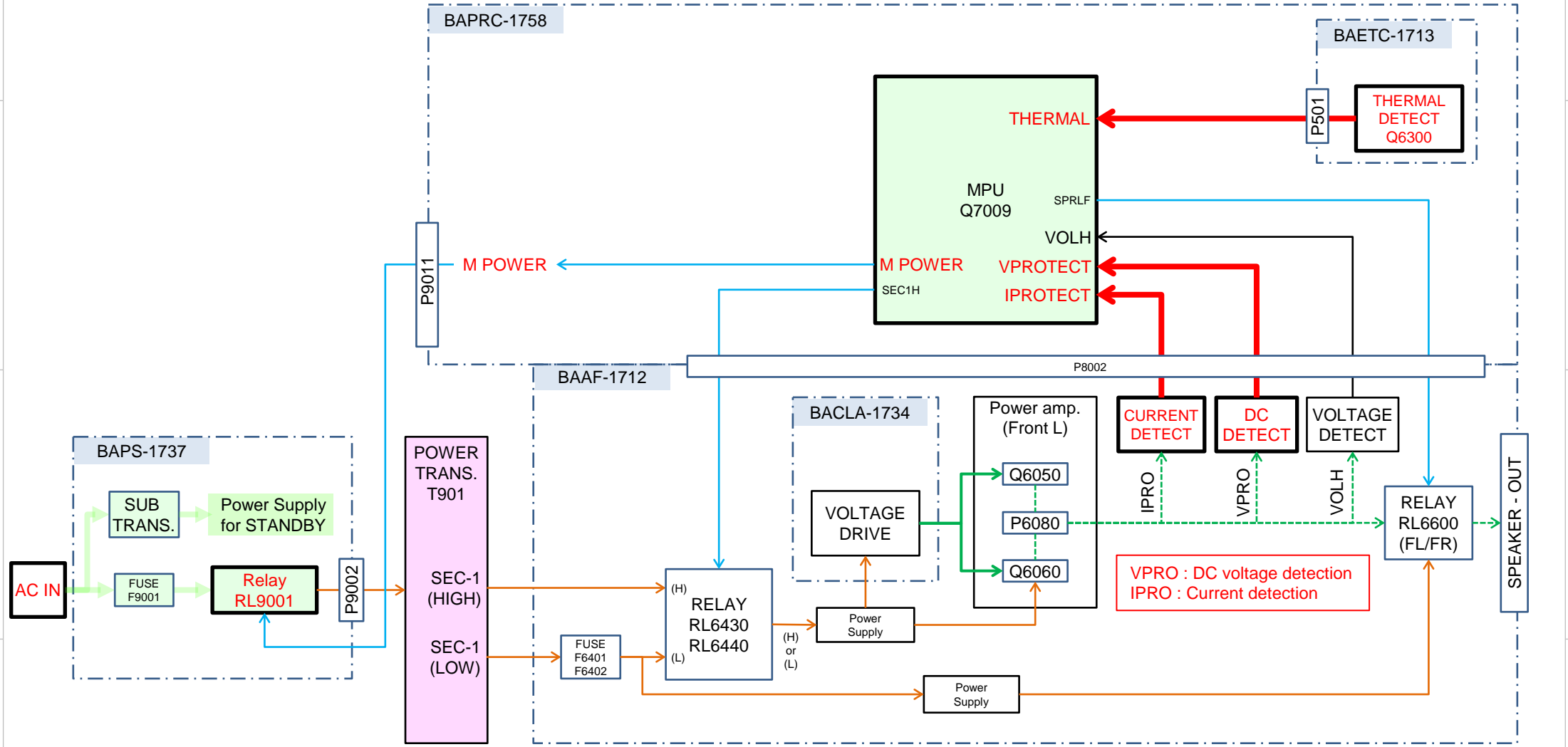
2.

30秒以内にRCVボタンをもう一度押すとリセットされる

Protect Mode

Amp Diag Mode after Abnormal Conditions

The unit goes into standby automatically when detect the abnormal condition of thermal detection, dc voltage detection or current detection. (e.g. TX-SR343 block diagram below)



Self-diagnostics

This function is for avoiding the rupture of electrolytic capacitors with amplifier circuit failure during power-ON.

Operation of Self-diagnostic

Self-diagnostic will start at the timing of next power on, after goes to the protect mode by Current detection or DC voltage detection.

Only On/Standby key could work in this mode. Also remote control does not work. However, the CLEAR operation is enabled.

During Self-diagnostic, the power supply for amplifier circuit become low voltage state(SEC1-LOW), and the speaker relay will be turned off. Then, MPU will check each amplifier circuits Internally by entering the test signal (20 kHz,-20 dBFS sine wave) to each channel from DSP.

MPU will judge the amplifier circuit is good or not from VOLH value.

The normal range of VOLH value is $0.04\text{ V} < \text{VOLH} < 0.20\text{ V}$.

If VOLH value is in the out of this range, it will be judged as NG (No good).

No problem found

When protected by current detection, and no problem found, "CHECK SP WIRE" will be displayed. In this State, Only the On/Standby key is effective. And if do not anything for 3 minutes, unit goes into standby automatically.

When protected by a DC voltage detection, and no problem found, unit goes into normal operation.

Problem found

When judged as there is a problem on any channel, the information of channel that has a problem will be displayed as in the right figure.

In this State, Only the On/Standby key is effective. Also remote control does not work. If do not anything for 3 minutes, unit goes into standby automatically. This state will keep also after unit turn on/off, or AC unplugged.

the power supply for amplifier circuit become low voltage state(SEC1-LOW), and the speaker relay will be turned off.

Amp Diag Mode after Abnormal Conditions

Display of during Self-diagnostics

2 Line FL tube type

A	M	P		D	i	a	g		M	o	d	e	

1 Line FL tube type

A	M	P		D	i	a	g		M	o	d	e	
---	---	---	--	---	---	---	---	--	---	---	---	---	--

"Mode" This part display the channel which is currently checked. (E.g. "[FL]", etc.)

Display of when problem found

2 Line FL tube type

N	G		C	H	:								
			L	C	R	S	L	S	R	B	L	B	R

1 Line FL tube type

N	G	:	L	C	R	S	L	S	R	B	L	B	R
---	---	---	---	---	---	---	---	---	---	---	---	---	---

- L** → Front L channel **S L** → Surround L channel
- C** → Center channel **S R** → Surround R channel
- R** → Front R channel **B L** → Surround back L channel
- B R** → Surround back R channel

Repair Process and How to Confirm

Confirmation of the protect cause

While NG channel is displayed, You can confirm the protect cause by following the step below.

1. Press the Enter button
2. The protect cause are displayed for 5 seconds.

Please check the around of those amplifier circuit and repair it.

Clear of NG CH information

After repair, you can clear NG CH information by following the steps below.

1. Press the On/Standby key while pressing the Enter key.
2. Display as in the right figure appears.
3. Unit goes into Standby automatically after 5 seconds.

Self-diagnostic will start again at the timing of next power on.

By this, You can verify whether repair was properly or not.

If problem found after repair, please re-check the around of its circuit.

Cancel of Self-diagnostic

You can cancel this mode by clear operation (press Standby key while pressing CBL/SAT key).

After cancel this mode, receiver will be started as normal operation.

Amp Diag Mode after Abnormal Conditions

Protected by current detection

D E T . P R O T E C T : I

Protected by DC Voltage detection

D E T . P R O T E C T : V

Clear of NG CH information

N G C H C L E A R

How to check model and destination

Model and Destination

[TV] + [ON/STANDBY] → [DIMMER] or [RT/PTY/TP] → [TONE +] x 4

Model Name	Voltage	Destination	FL Display													
			R	Z	8	0	0			D	C		2	0	0	0
TX-RZ800	D	C	R	Z	8	0	0			D	C		2	0	0	0
TX-RZ800	J	J	R	Z	8	0	0			J	J		4	0	0	0
TX-RZ800	X	X	R	Z	8	0	0			x	x		8	0	0	0
DTR-50.7	D	D	D	T	R	5	0	7		D	D		2	0	4	0
DTR-50.7	X	X	D	T	R	5	0	7		x	x		8	0	4	0
TX-RZ900	D	C	R	Z	9	0	0			D	C		2	2	0	0
TX-RZ900	X	X	R	Z	9	0	0			x	x		8	2	0	0
DTR-60.7	D	D	D	T	R	6	0	7		D	D		2	2	4	0
DTR-60.7	X	X	D	T	R	6	0	7		x	x		8	2	4	0
DHC-60.7	D	D	D	H	C	6	0	7		D	D		2	2	8	0
DHC-60.7	X	X	D	H	C	6	0	7		x	x		8	2	8	0

How to Adjust Idling

Applied to the following models.

Model : TX-RZ800, RZ900, DTR-50.7, 60.7 (Except DHC-60.7)

a. Pre-adjustment

Before POWER ON, keep the following resistors to minimum position.
No-load and quiescent state immediately after POWER ON, to set below voltage resistor voltage measuring terminals.

Channel	L/R	C/SL/SR/SBL/SBR
Terminals	P6090, 6091	P6092 ~ 6096
Registers	R6040, 6041	R6042 ~ 6046
Voltage	10mV	6mV

b. Aging

Heat run during the following the time.
Time : 4 ~ 6 minutes

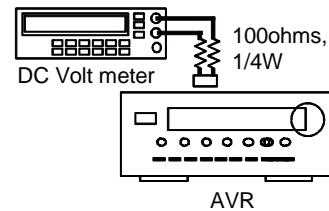
c. Final adjustment

After the aging of above time to readjust in the steps below.

L/R		
Below	9mV	⇒ 9mV
Between	9 ~ 11mV	⇒ Do not adjust.
Over	11mV	⇒ 11mV

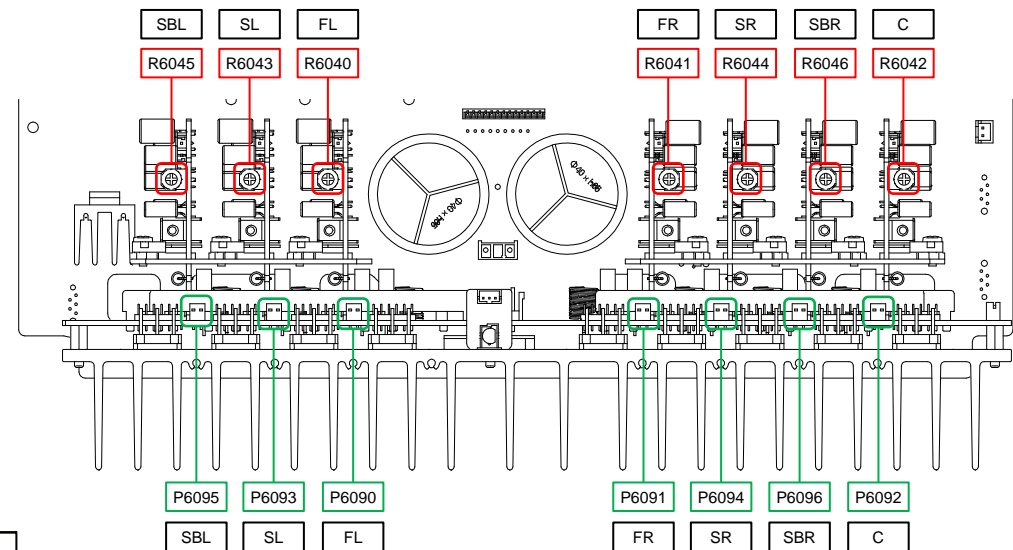
C/SL/SR/SBL(SW)/SBR		
Below	5mV	⇒ 5mV
Between	5 ~ 7mV	⇒ Do not adjust.
Over	7mV	⇒ 7mV

Connection



Final adjustment

Chanel	Measurement Points	Adjustment Points	Adjustment Value
FL	P6090	R6040 (BACLA-1787)	9mV ~ 11mV
FR	P6091	R6041 (BACLA-1788)	
C	P6092	R6042 (BACLA-1789)	5mV ~ 7mV
SL	P6093	R6043 (BACLA-1790)	
SR	P6094	R6044 (BACLA-1791)	
SBL	P6095	R6045 (BACLA-1792)	
SBR	P6096	R6046 (BACLA-1793)	



How to check Firmware Version & Preparation of Update

Firmware

Step1 : [DISPLAY] + [ON/STANDBY] x 2

Main Firmware Version will appear on the main unit's display.

Step2 : [TONE +1] (Rotate "TONE" knob right 1 click)

NET Firmware Version will appear on the main unit's display.

Step3 : [TONE +2] (Rotate "TONE" knob right 2 click)

DSP Firmware Version will appear on the main unit's display.

Step4 : [TONE +3] (Rotate "TONE" knob right 3 click)

Video Firmware Version will appear on the main unit's display.

Step3 : [TONE +4] (Rotate "TONE" knob right 4 click)

OSD Firmware Version will appear on the main unit's display.

Step4 : [TONE +5 over] (Rotate "TONE" knob right 5 click over)

Return to Display Main Firmware Version (Return Step1)

When It is rotated left (-) TONE knob, It is appeared before step.

[Preparation of Update]

1. Connect the USB storage device to your PC. If there is any data in the USB storage device, remove it.
2. Download the firmware file (package file) from the Onkyo FTP-server. However European service partners should download the firmware file (package file) from the ExtraNet.

Onkyo FTP-server: <ftp://manex.onkyo.co.jp/>

ID and Password are those we informed when changed.

Filename is as follows: ONKAVR0001*****.zip

Unzip the downloaded file. A following file is created.

ONKAVR0001*****.of0

ONKAVR0001*****.of1

ONKAVR0001*****.of2

ONKAVR0001*****.of3

ONKAVR0001*****.of4

ONKAVR0001*****.of5

ONKAVR0001*****.of6

3. Copy it to the USB storage device. Be careful not to copy the zip file.
4. Remove the USB storage device from your PC.

How to Update (service mode) 1/2

Firmware

Overwriting is also possible.

1. Connect the USB storage to the USB port on the unit.



2. Turn on the unit. It takes some time to start after you switch on the unit.
Press: [DISPLAY] + [ON/STANDBY] x 2
3. Press [RETURN] button, Then it is displayed as below



If you need each module of the firmware update, you can select the module by pressing PRESET < and > button.

If you need change source NET or USB, you can select the source by pressing TUNING UP and Down key

It should be updated firmware by selecting USB -> ALL normally.

- USB -> ALL: ALL firmware update (default)
- USB -> DSP: DSP firmware update
- USB -> OSD: OSD firmware update
- USB -> VMPU: VMPU firmware update
- USB -> DA830: DA830 firmware update
- USB -> MMPU: Main MPU firmware update
- USB -> WORK: Compare between AVR and USB, Only update new version firmware

- NET -> ALL: ALL firmware update (default)
- NET -> DSP: DSP firmware update
- NET -> OSD: OSD firmware update
- NET -> VMPU: VMPU firmware update
- NET -> DA830: DA830 firmware update
- NET -> MMPU: Main MPU firmware update
- NET -> WORK: Compare between AVR and MMC,
Only update new version firmware by network

The default setting is " ALL "



CAUTION: When you will update each module firmware, you have to keep combination of firmware.

How to Update (service mode) 2/2

Firmware

4. Press [ENTER] button. Start update firmware.



5. Wait until update is completed. When the update ends, "Completed!" is displayed. When "Completed!" message appeared, you can power off by pressing "ON/STANDBY" button. (If you leave it, it automatically turns standby mode.)



6. Press [ON/STANDBY] button, and the unit turns on.

7. Check the new FW version number.

<Note>

If the procedure might not be successful, please select "USB -> ALL".

No Sound

■ No sound from connected player

- Chose input selector which is assigned to connected input terminal ?
- Isn't muting on ?

■ No sound from connected TV

- Chose wrong input selector ?
- Connect to this model's HDMI OUT terminal from TV by HDMI cable ?
- When TV supports ARC function, connect to his model's HDMI OUT terminal from TV's HDMI input terminal for ARC function ?
- When TV doesn't support ARC function, connect TV to this model with optical cable etc. ?
- Isn't muting on ?

■ No sound from some connected loudspeaker(s)

- No sound loudspeaker(s) config is enabled ?

■ No sound from all connected TV or Blu-ray player etc.

- After chose loudspeaker volume level setting, test tone is OK ?

■ No problem about above items

- Unplug power cord
After 10 seconds, connect power cord again
- Reset this model

No Picture

Hookup and Setting

■ In general

- Connection cable is bent , twisted or damaged ?
- Input is switched on TV ?

■ No picture from connected player by HDMI input terminal

- Chose input selector which is connected to player ?
- Listening mode is not Pure Audio ?
- Don't use HDMI-DVI adaptor. From personal computer ?

■ No picture from connected player by component video terminal

- Output to TV connected to component video out terminal from player's picture connected to the composite video input terminals ?

■ No problem about above items

- Unplug power cord
After 10 seconds, connect power cord again
- Reset this model

No Power

Hookup and Setting

■ In general

Doesn't be connection cable bent, be it twisted and be it damaged?

■ There is time when indication on the front panel doesn't just light up.

Please check the connecting cord of a DISPLAY PCB.

■ No problem about above items

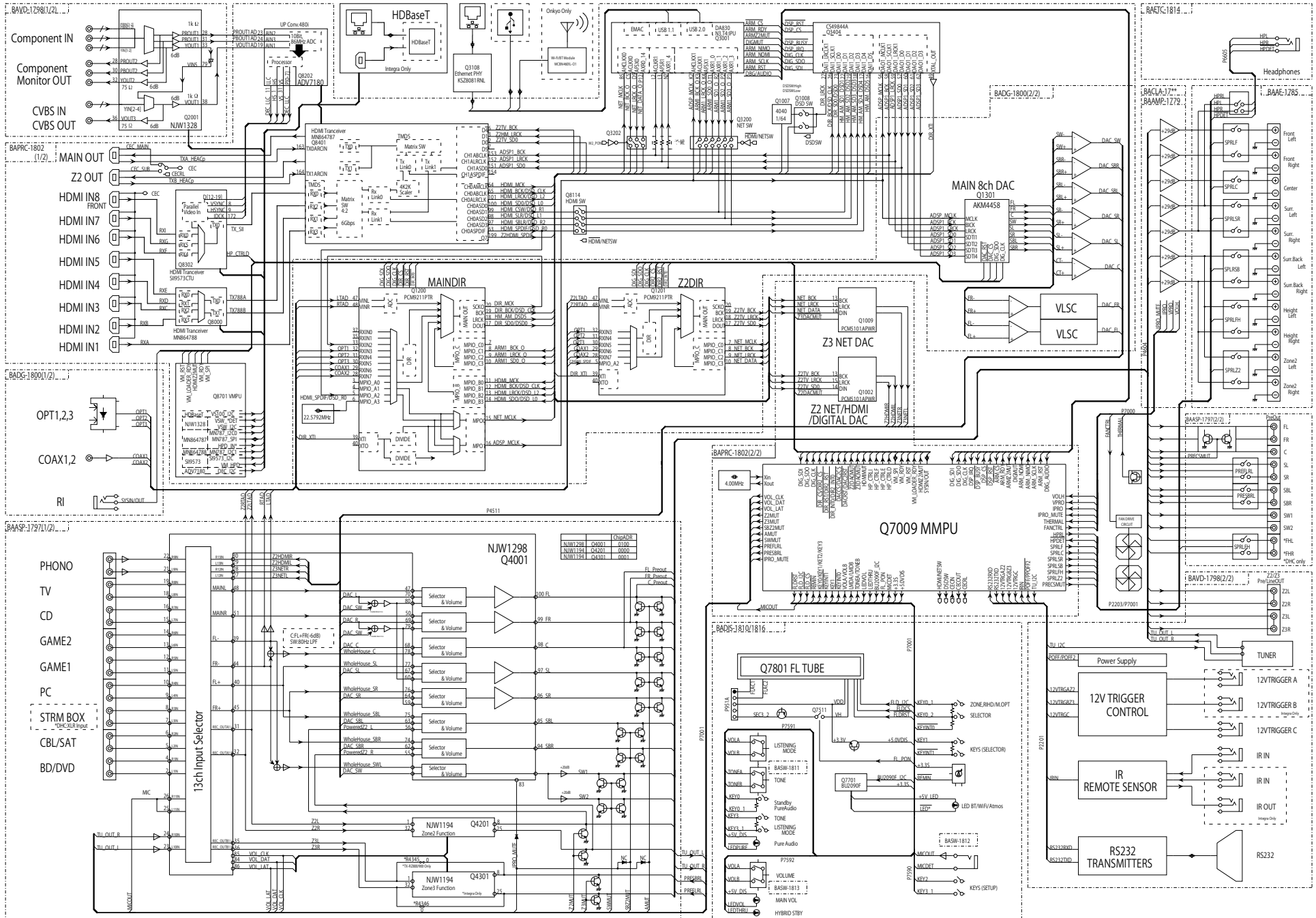
Unplug power cord

After 10 seconds, connect power cord again

Reset this model

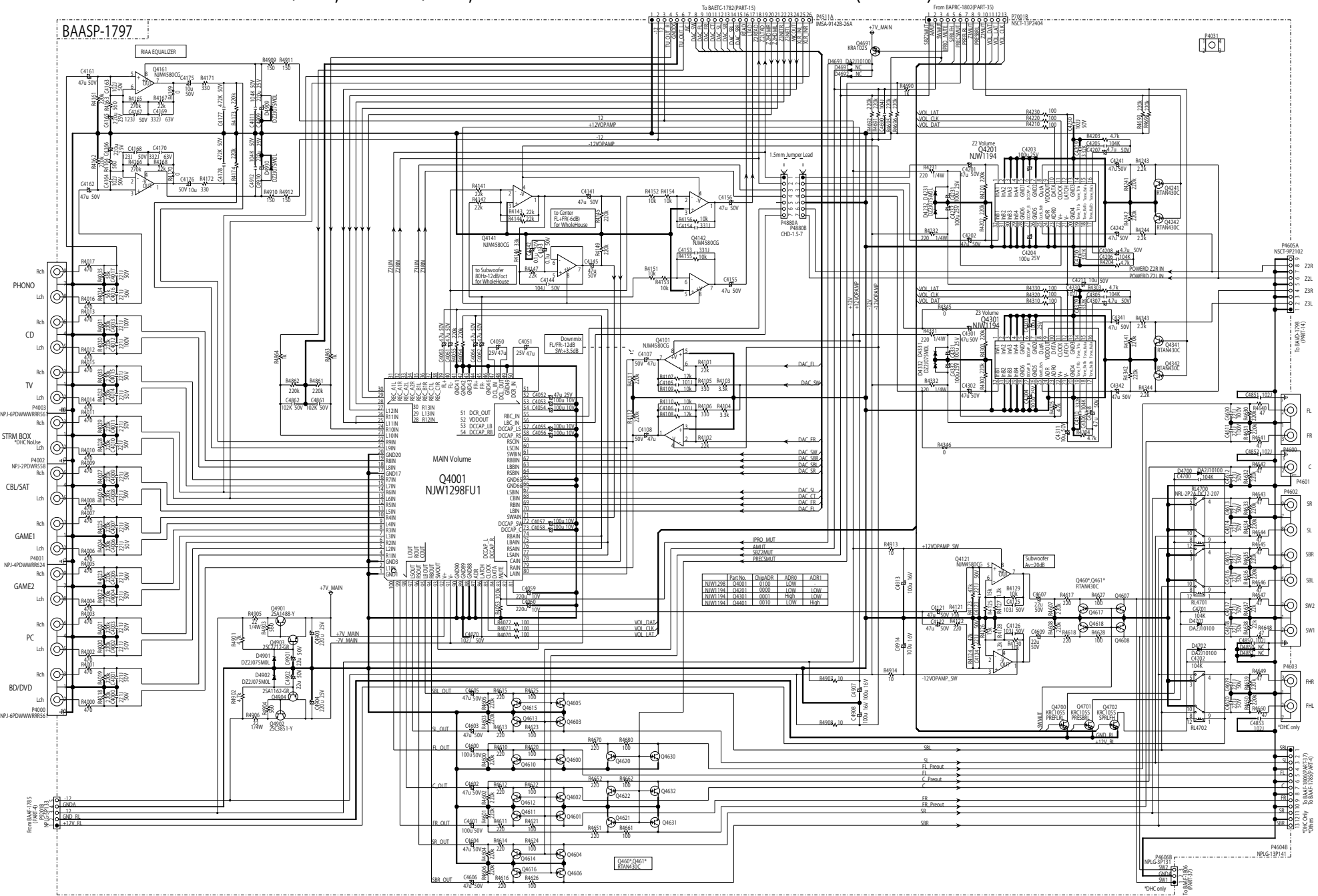
Block Diagram (Audio section)

Schematic Diagram



MODEL NO. TX-RZ800/900,DTR-50.7/60.7,DHC-60.7

SCHEMATIC DIAGRAM (PART-4) ASP SECTION



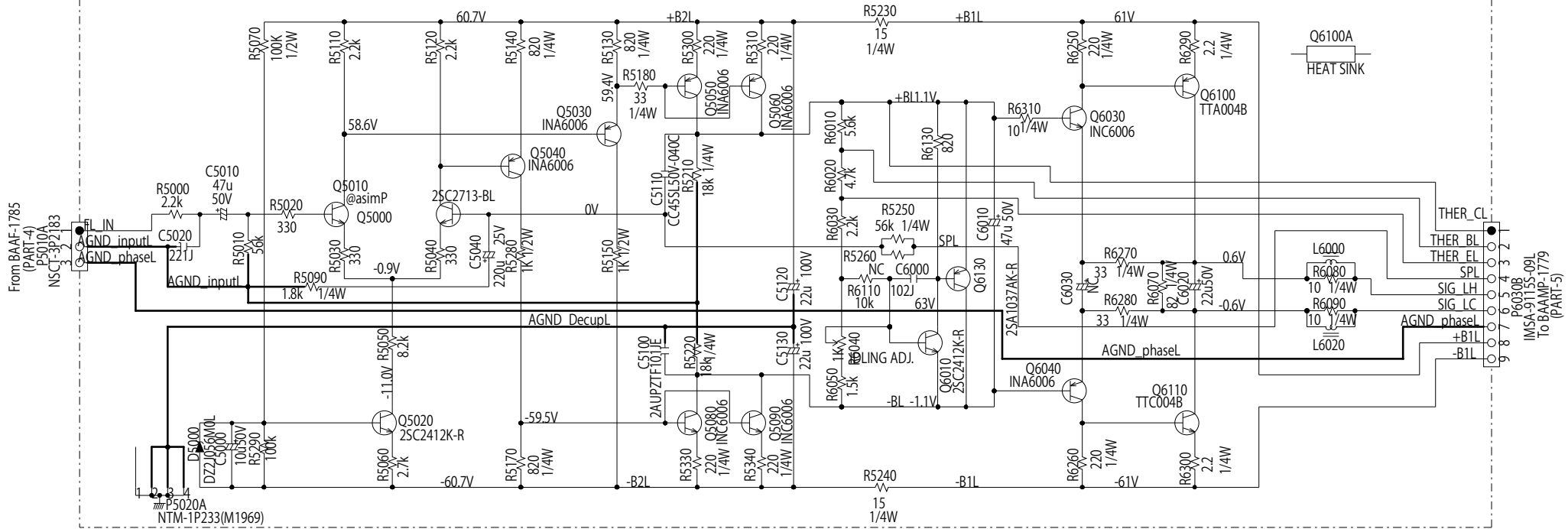
Model No. TX-NR800/900,DTR-50.7/60.7 SCHEMATIC DIAGRAM (PART-6)

AMP(VoltageAMP) SECTION

BACLA-1787

BACLA-1787

All ch are same PCB. It can use anywhere.



MSA-91155-091
To BAAAF-1779
(PART-5)

AMP(VoltageAMP) SECTION

Schematic Diagram

Model No. TX-RZ800/900,DTR-50.7/60.7 SCHEMATIC DIAGRAM (PART-8)

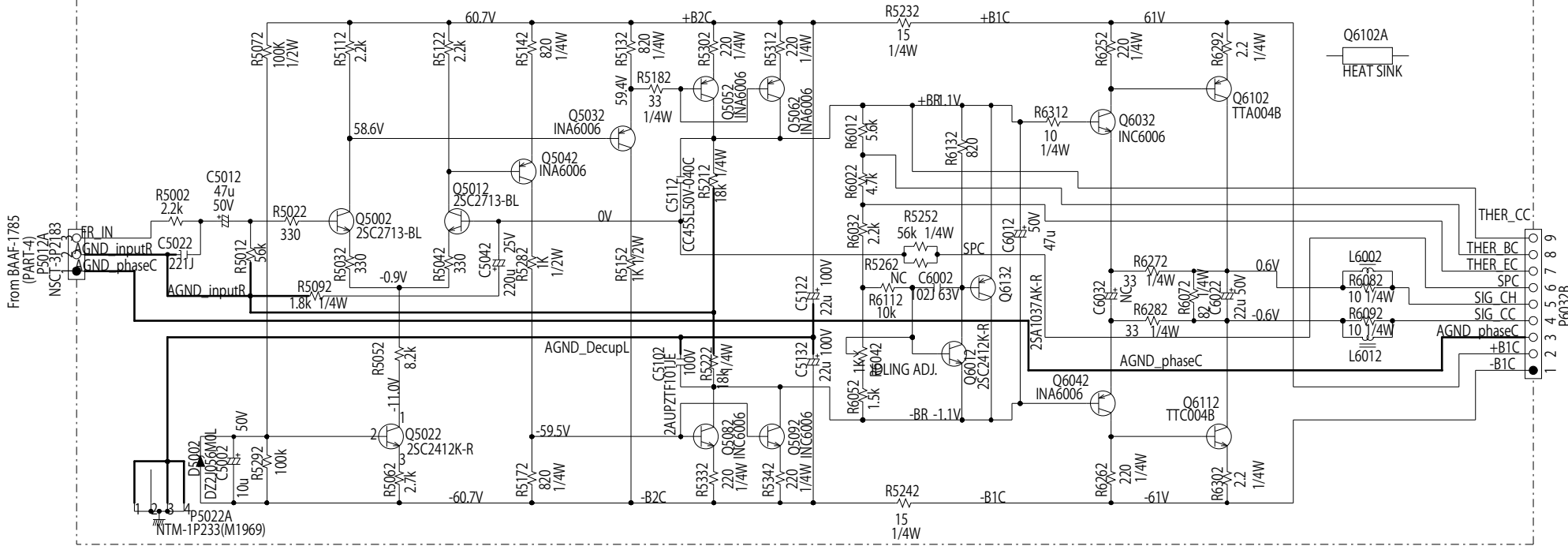
AMP(VoltageAMP) SECTION

BACLA-1789

C

BACLA-1789

All ch are same PCB.It can use anywhere.

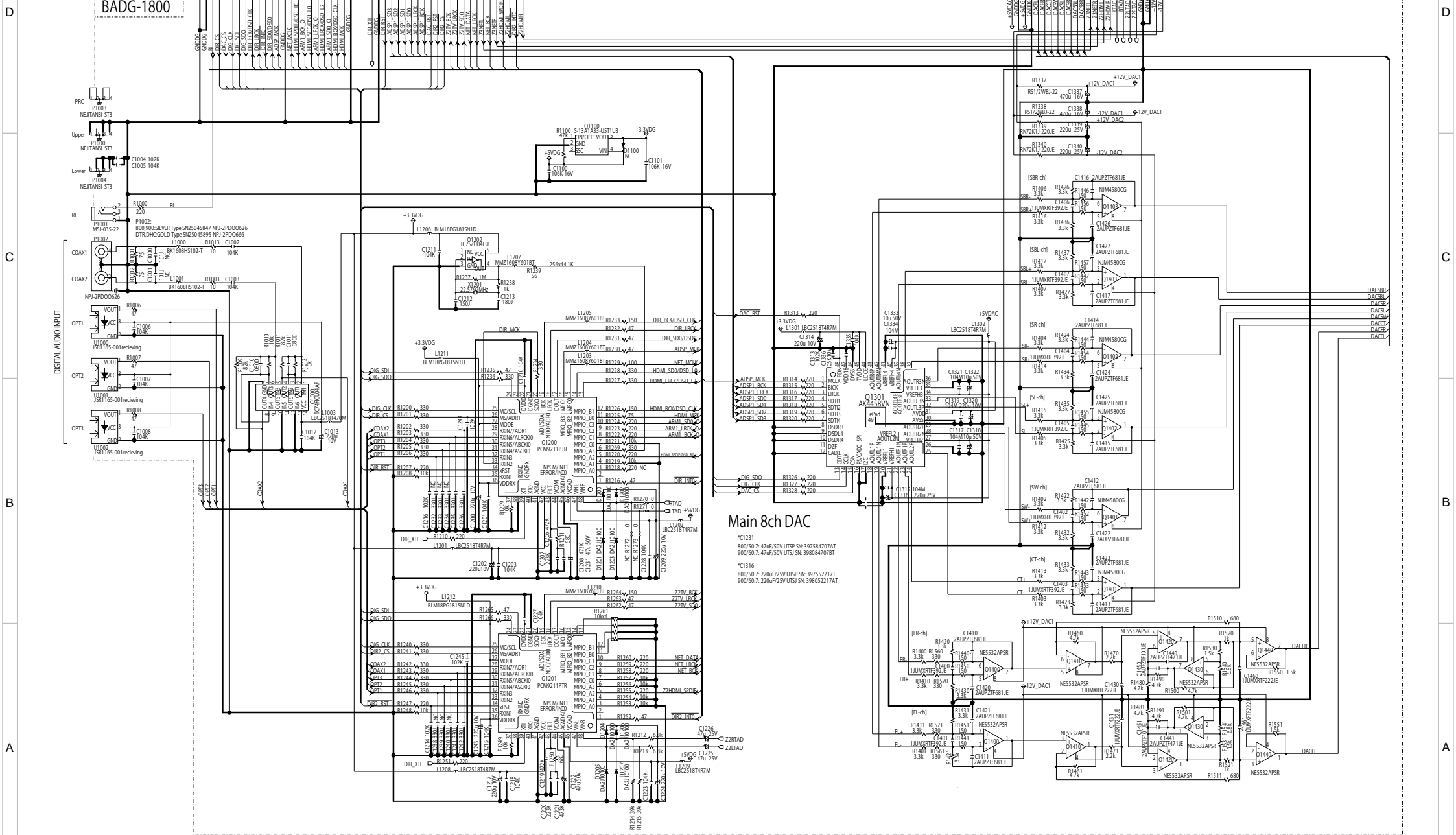


IMS-A-91155-09L
To BAAMP-1779
(PART-5)

Main 8ch DAC

Schematic Diagram

MODEL No. TX-RZ-800,900 DTR-50.7,60.7 DHC-60.7 SCHEMATIC DIAGRAM (PART-13)

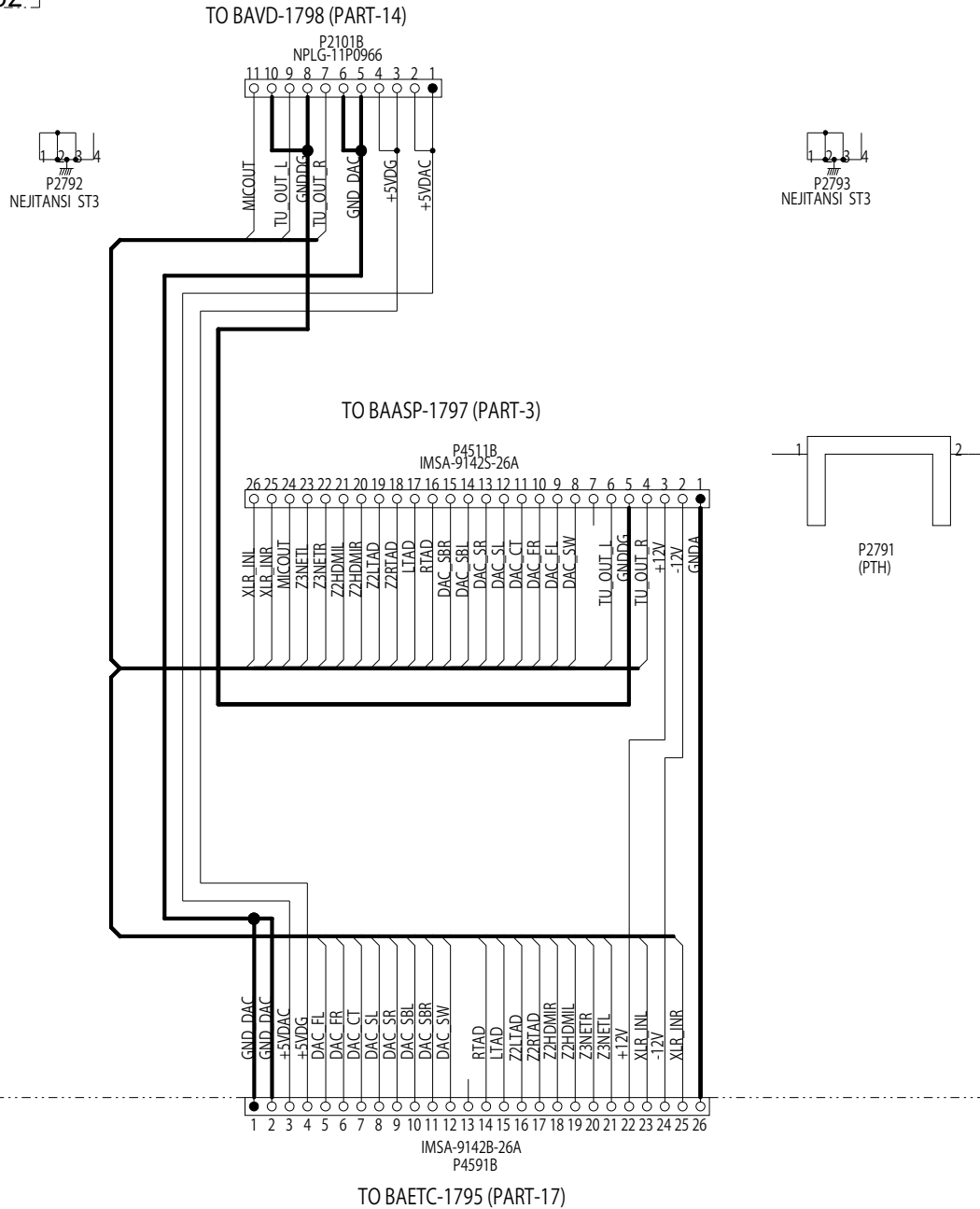


Main 8ch DAC

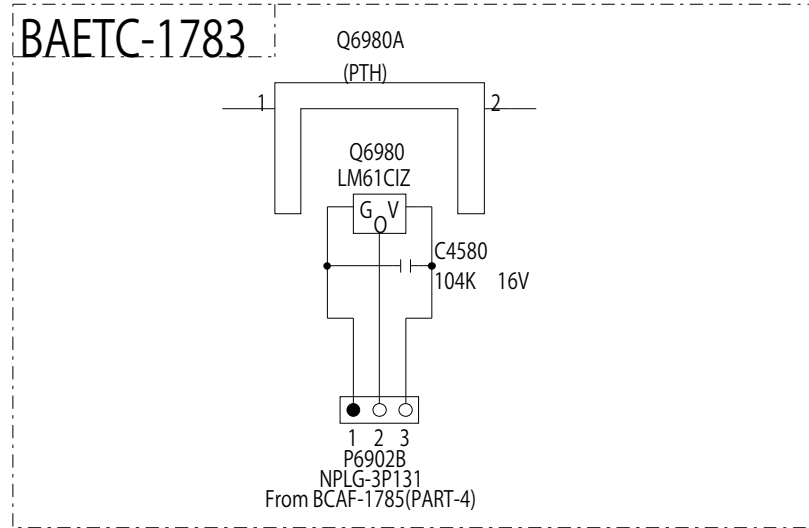
- *C1231
800/50.7 47µF/50V UTP SP SN 397584707AT
900/60.7 47µF/50V UTSI SN 398084707BT
- *C1316
800/50.7 220µF/25V UTP SP SN 397532217T
900/60.7 220µF/25V UTSI SN 398052217AT

MODEL NO.TX-RZ800/900, DTR-50.7/60.7 SCHEMATIC DIAGRAM(PART-15)

BAETC-1782



Model No. TX-RZ800, TX-RZ900, DTR-50.7, DTR-60.7 SCHEMATIC DIAGRAM (PART-16)
AMP(Thermal sensor) SECTION



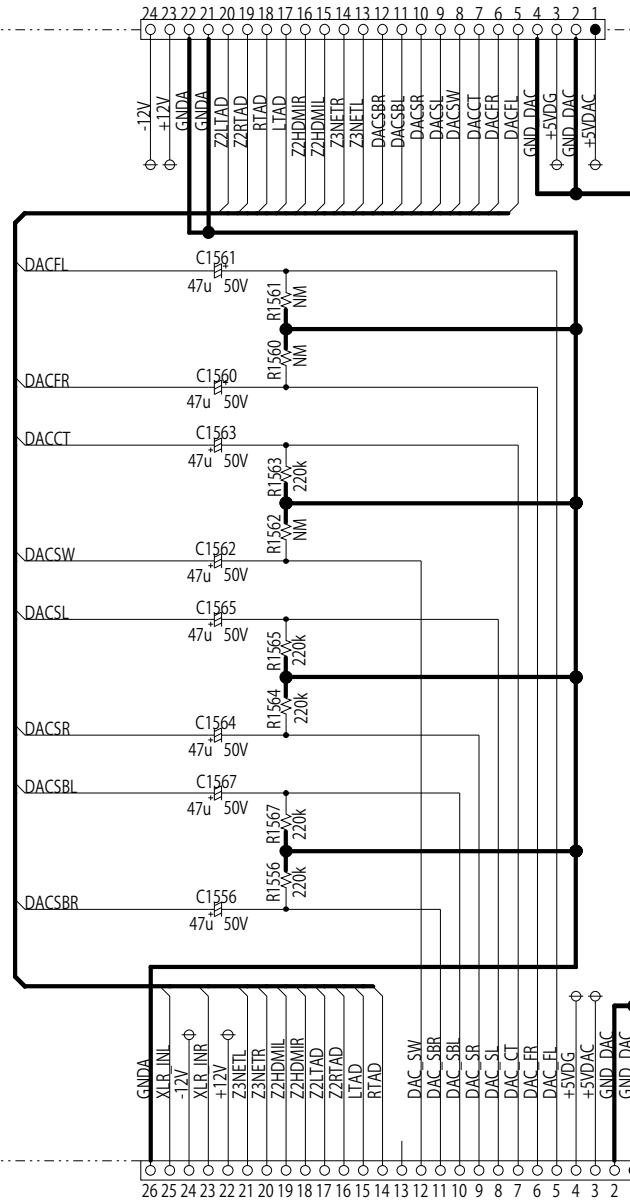
MODEL NO.TX-RZ800/900, DTR-50.7/60.7 SCHEMATIC DIAGRAM(PART-17)

TO BADG-1800 (PART-13)

P1008A

IMSA-9142S-24A

BAETC-1795

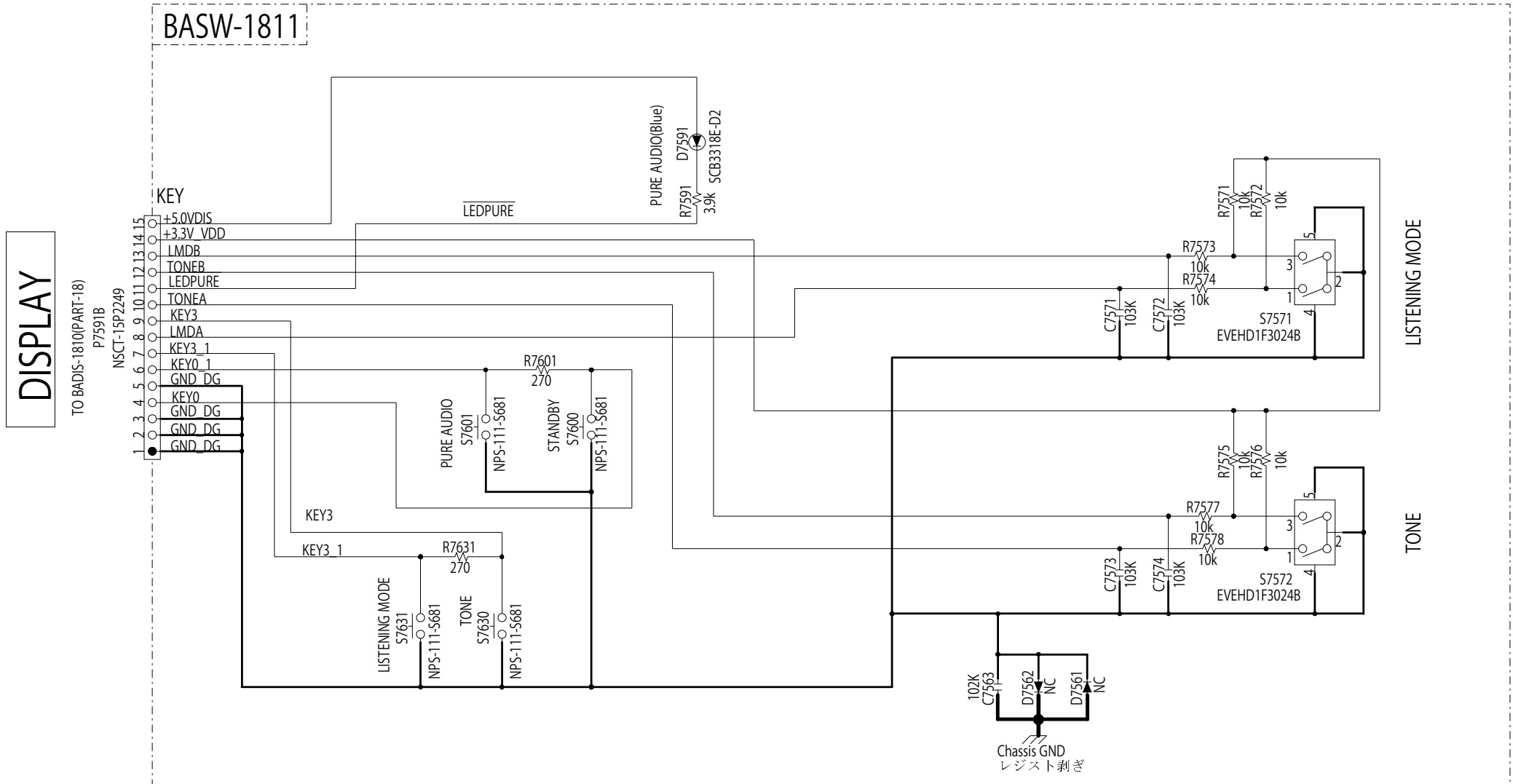


IMSA-9142S-26A

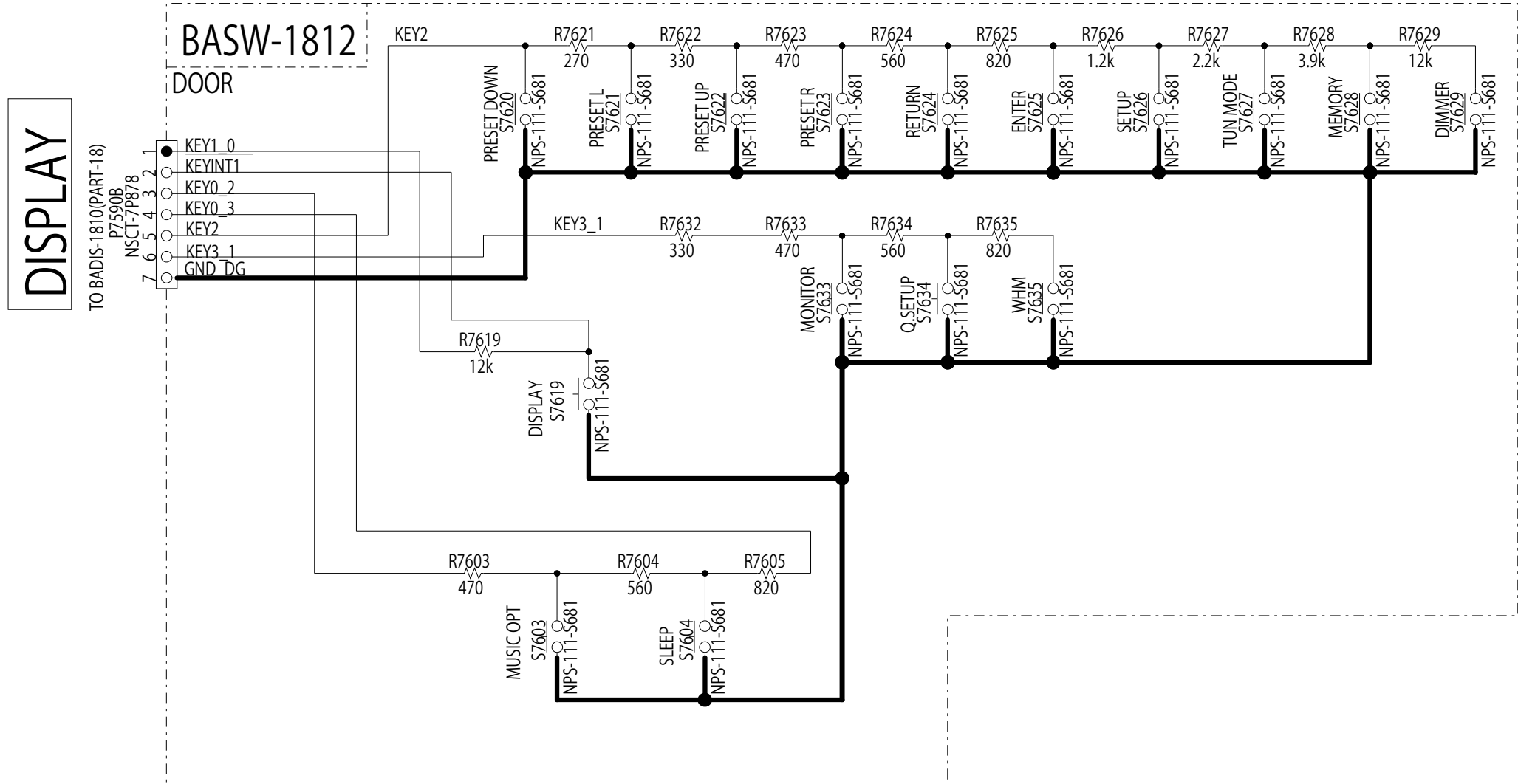
P4591B

TO BAETC-1782 (PART-15)

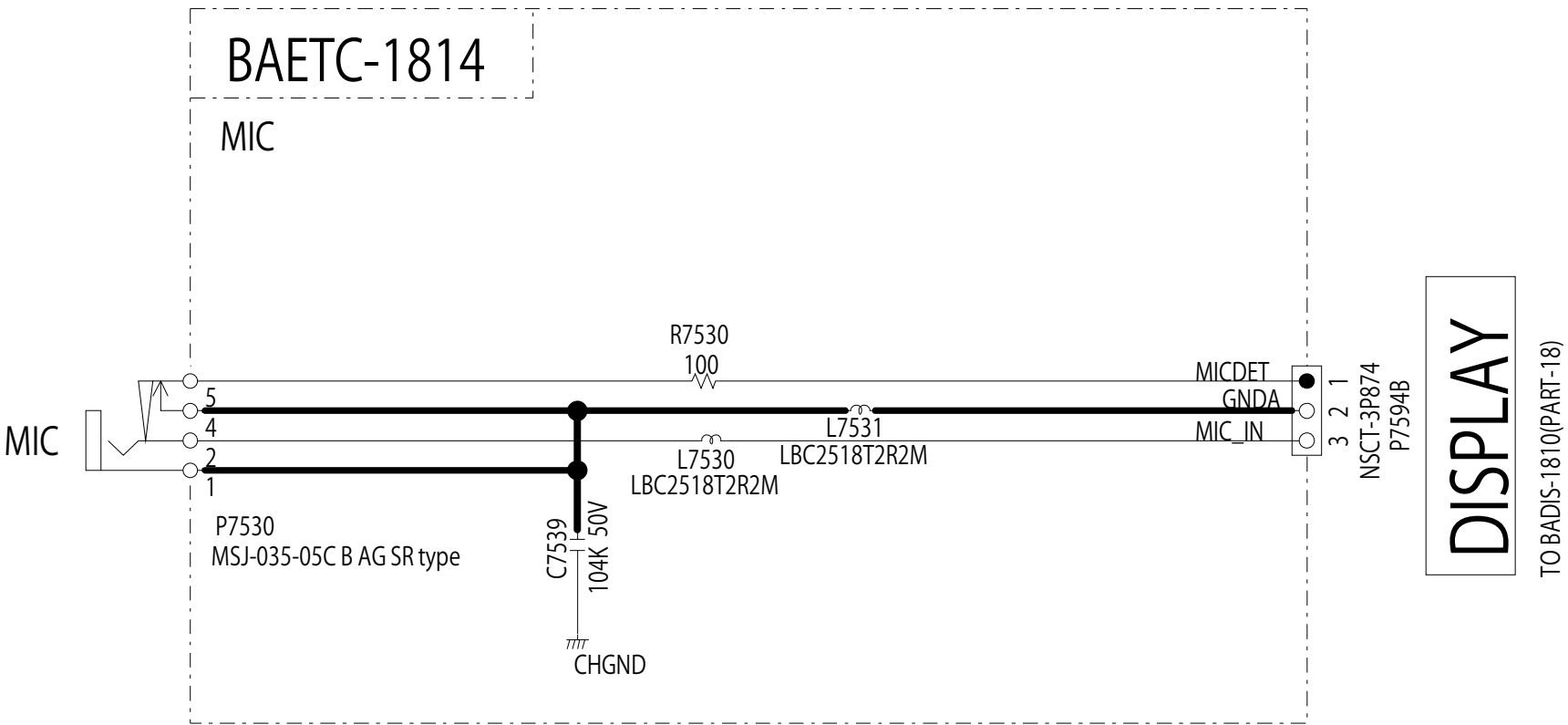
MODEL NO. TX-RZ800/900 SCHEMATIC DIAGRAM(PART-19) DISPLAY(KEY)SECTION



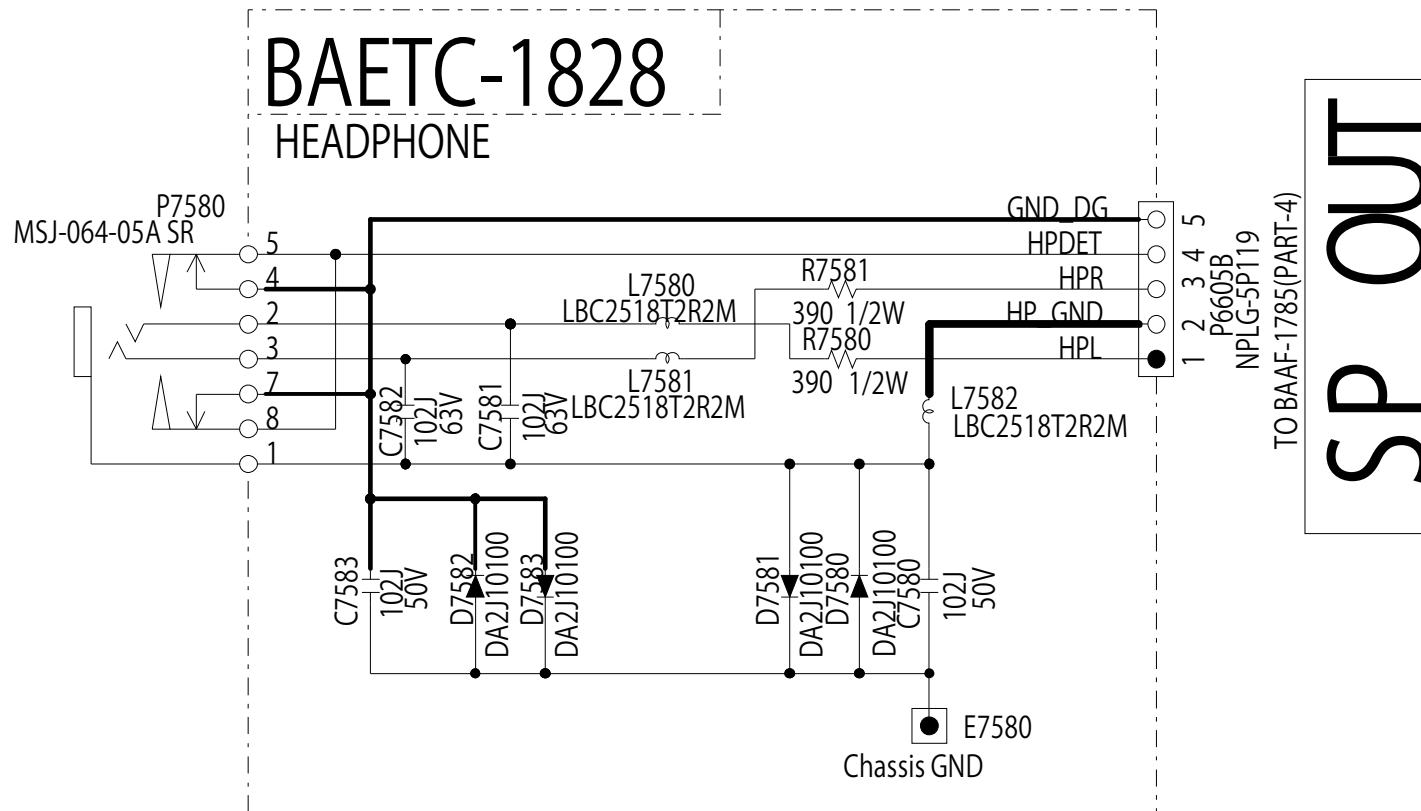
MODEL NO.TX-RZ800/900 SCHEMATIC DIAGRAM(PART-20) DISPLAY(MIC)SECTION



MODEL NO.TX-RZ800/900 SCHEMATIC DIAGRAM(PART-22) DISPLAY(MIC)SECTION



MODEL NO.TX-RZ800/900 SCHEMATIC DIAGRAM(PART-24) DISPLAY(HEADPHONE)SECTION



TUNER SECTION

Schematic Diagram

MODEL NO. TX-SR343/444,HT-R394/494/594

SCHEMATIC DIAGRAM (PART-10) TUNER SECTION

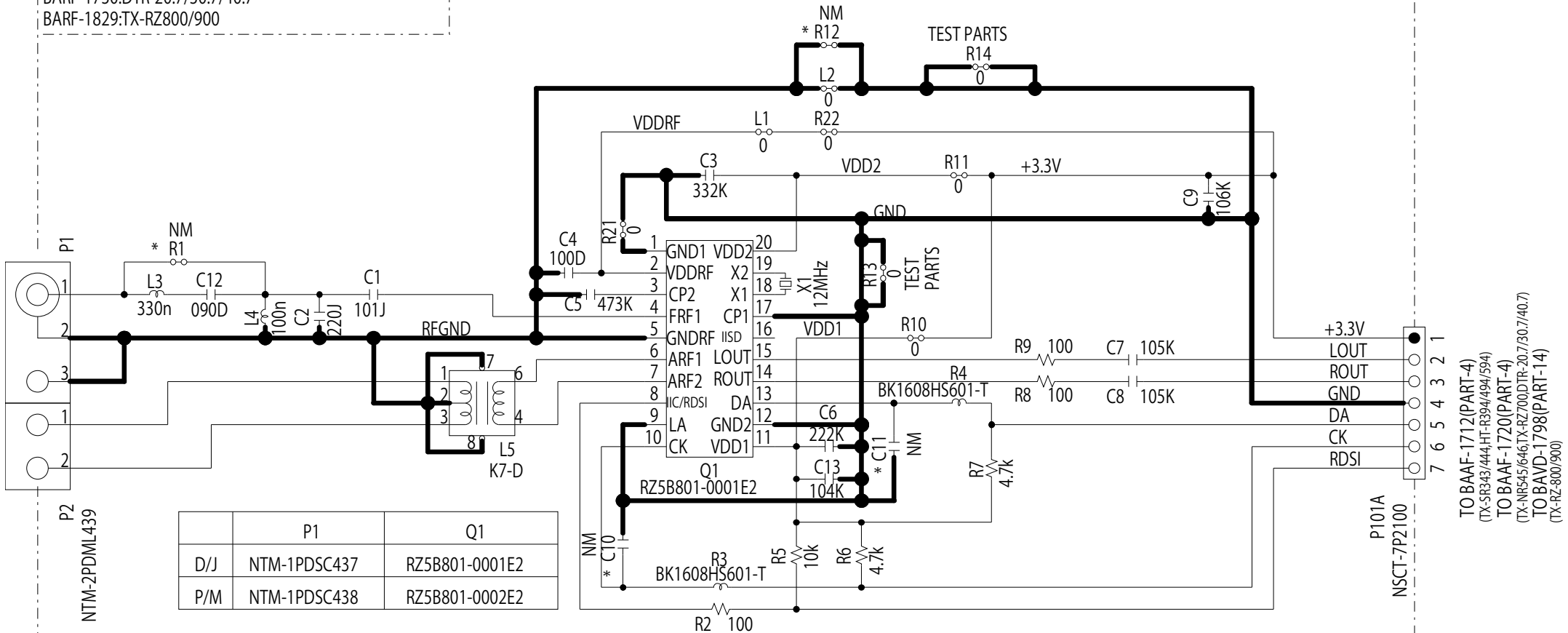
MODEL NO. TX-NR545/646/RZ700,DTR-20.7/30.7/40.7

SCHEMATIC DIAGRAM (PART-25) TUNER SECTION

MODEL NO. TX-RZ800/900

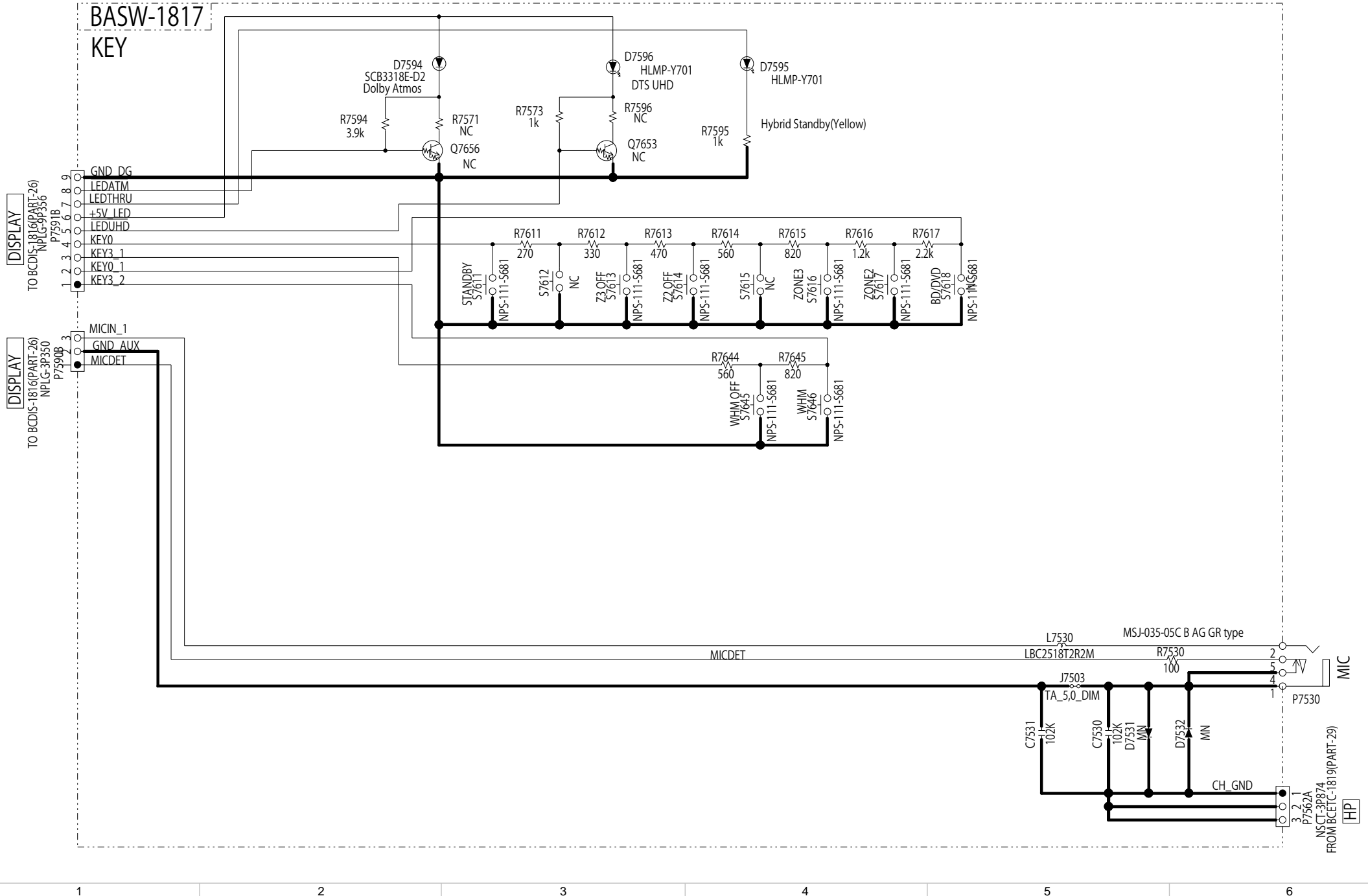
SCHEMATIC DIAGRAM (PART-25) TUNER SECTION

BARF-1738:TX-SR343/444,HT-R394/494/594
 BARF-1731:TX-NR545/646,TX-RZ700
 BARF-1730:DTR-20.7/30.7/40.7
 BARF-1829:TX-RZ800/900

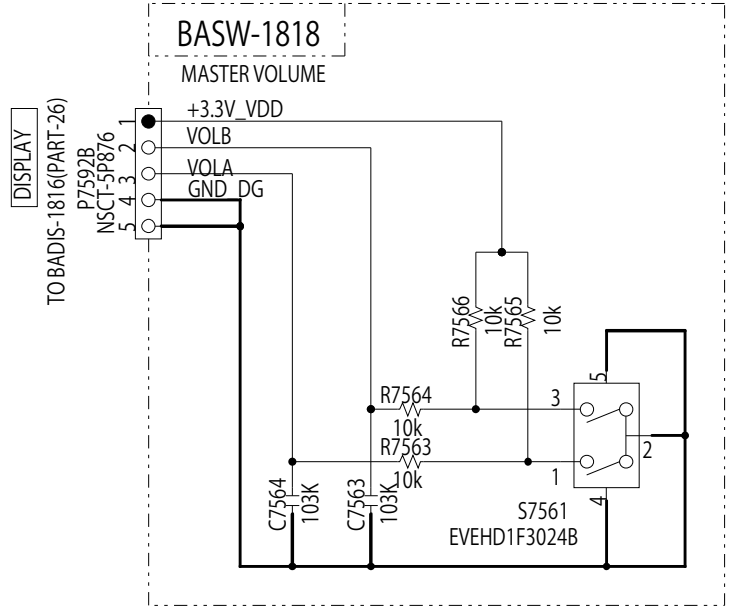


TO BAAF-1712(PART-4)
 (TX-SR343/444,HT-R394/494/594)
 TO BAAF-1720(PART-4)
 (TX-NR545/646,TX-RZ700,DTR-20.7/30.7/40.7)
 TO BAVD-1798(PART-14)
 (TX-RZ-800/900)

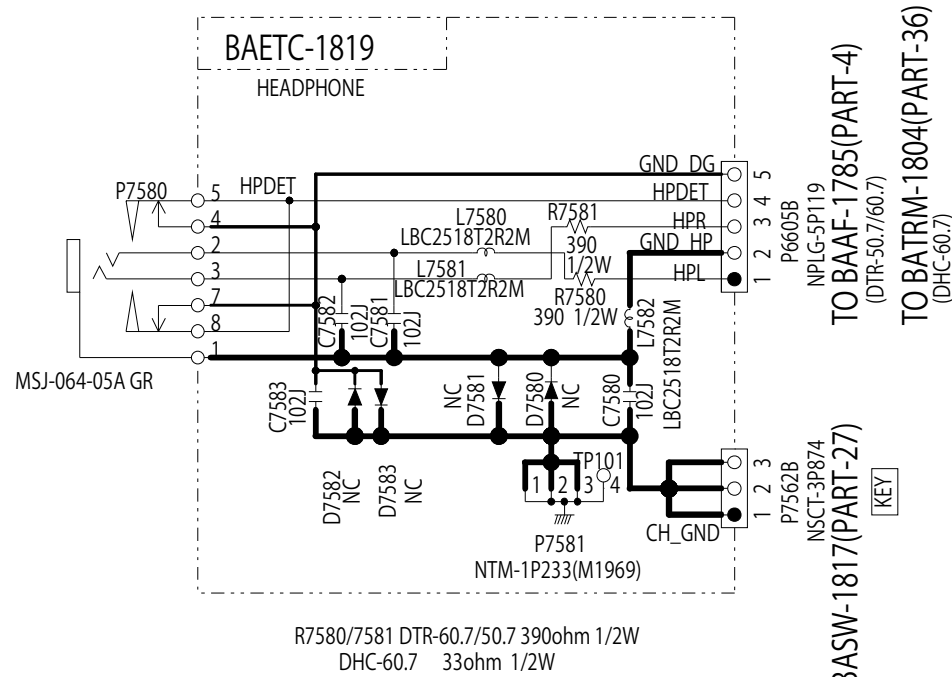
MODEL NO. DTR-50.7/60.7 DHC-60.7 SCHEMATIC DIAGRAM(PART-27)DISPLAY(KEY)SECTION



MODEL NO.DTR-50.7/60.7 DHC-60.7 SCHEMATIC DIAGRAM
DISPLAY(VOLUME)SECTION (PART-28)



MODEL NO.DTR-50.7/60.7 DHC-60.7 SCHEMATIC DIAGRAM(PART-29) DISPLAY SECTION(HP BOARD)



TO BAAF-1785(PART-4)
(DTR-50.7/60.7)

TO BASW-1817(PART-27)

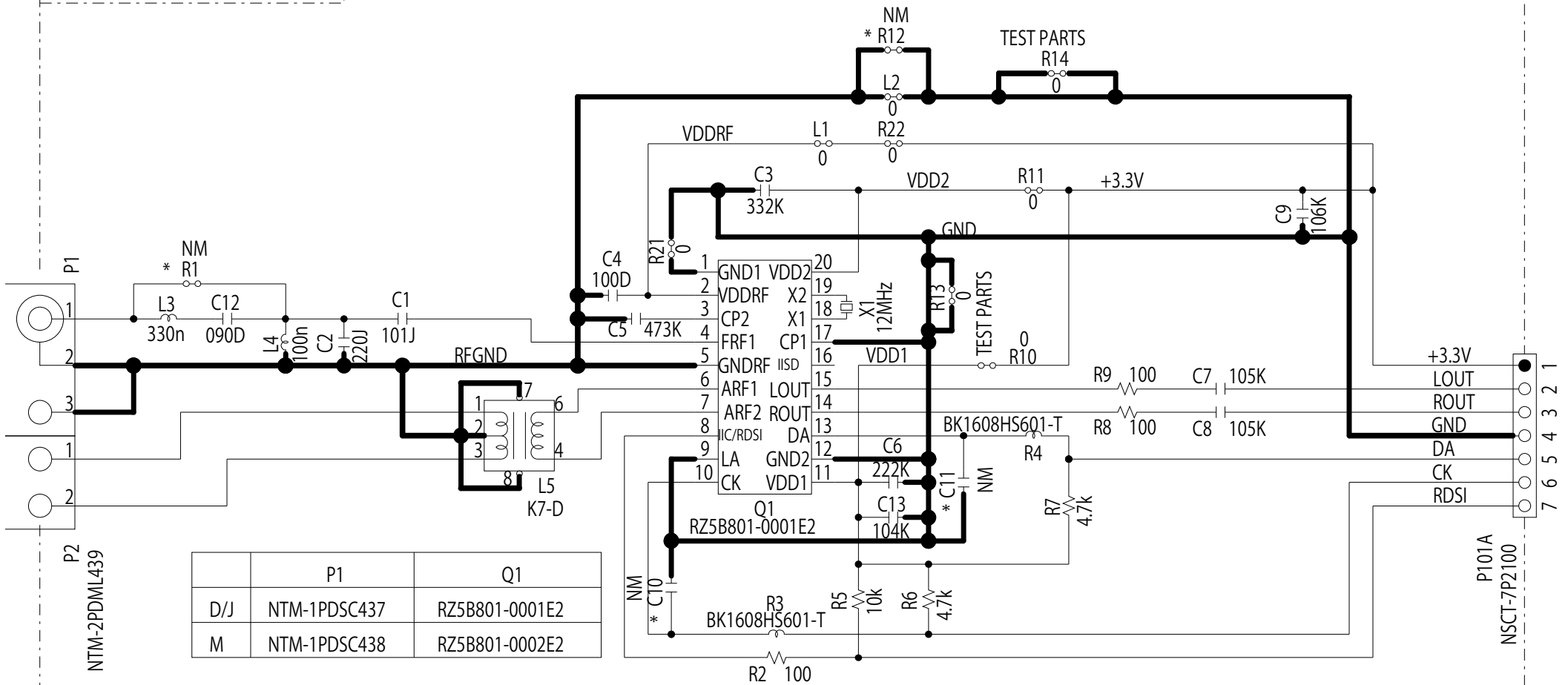
TO BATRM-1804(PART-36)
(DHC-60.7)

KEY

MODEL NO. DTR-50.7/60.7,DHC-60.7

SCHEMATIC DIAGRAM (PART-30) TUNER SECTION

BARF-1821

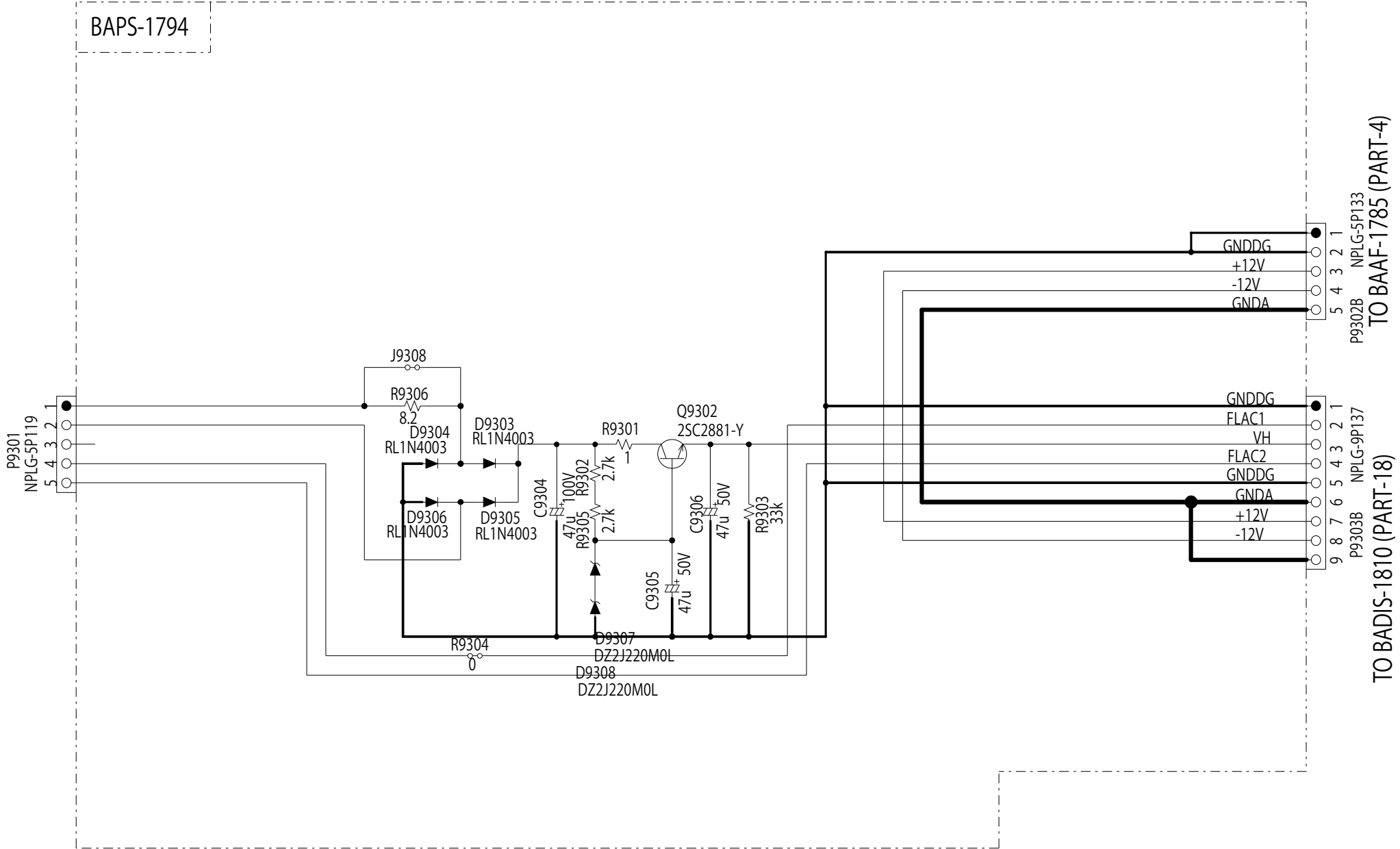


TO BAVD-1798(PART-14)

DISPLAY(Power supply) SECTION

Schematic Diagram

Model No. TX-RZ800/900,DTR-50.7/60.7 SCHEMATIC DIAGRAM (PART-31)
DISPLAY(Power supply) SECTION

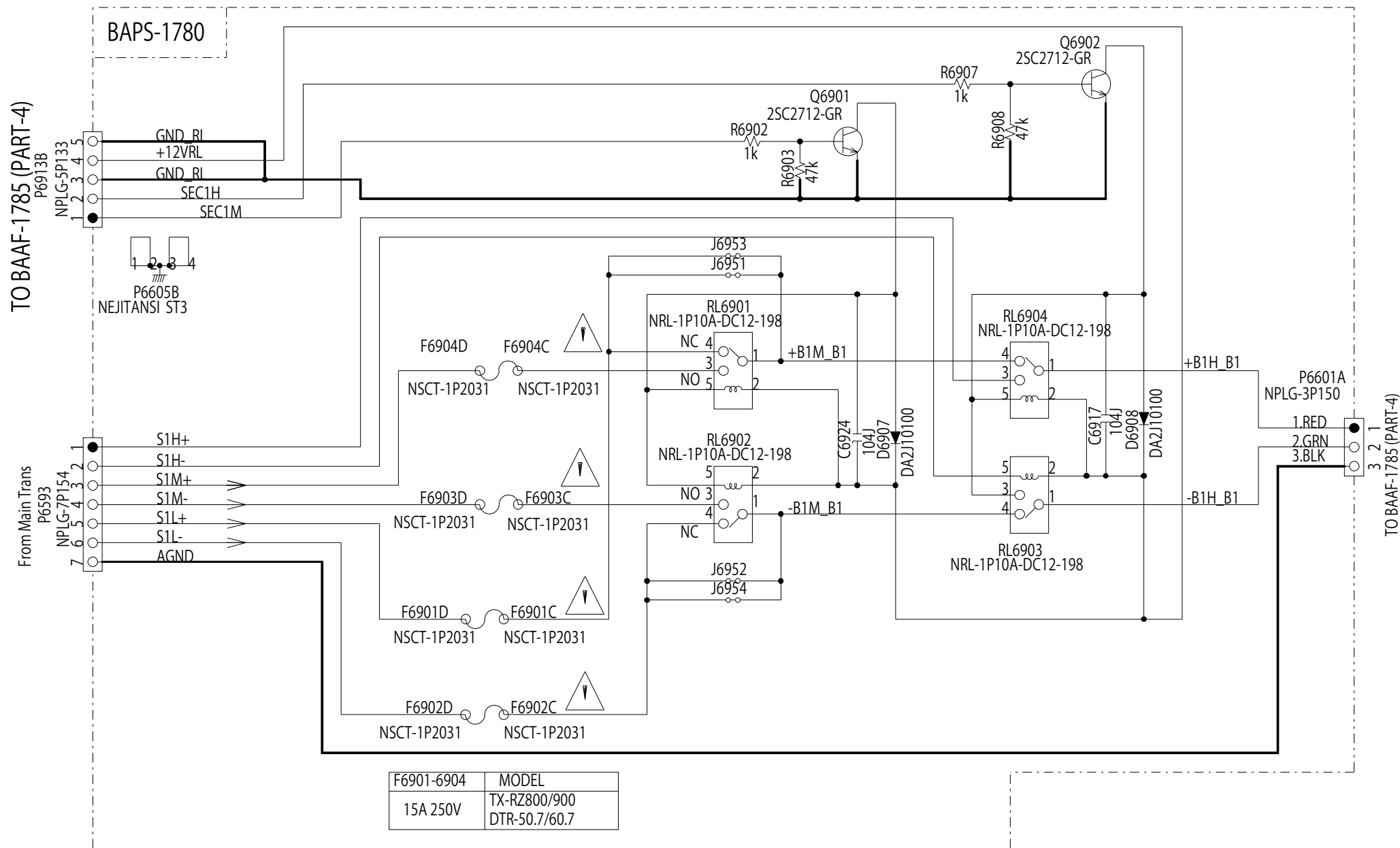


AMP(Power supply) SECTION

Schematic Diagram

Model No. TX-RZ800/900,DTR-50.7/60.7 SCHEMATIC DIAGRAM (PART-32)

AMP(Power supply) SECTION



F6901-6904	MODEL
15A 250V	TX-RZ800/900 DTR-50.7/60.7

MODEL NO. TX-RZ800/900,DTR-50.7/60.7 SCHEMATIC DIAGRAM (PART-33) PS SECTION

THE COMPONENTS IDENTIFIED MARK Δ ARE CRITICAL FOR SAFETY. REPLACE ONLY WITH PART NUMBER SPECIFIED.
 VOLTAGE (MEASURED WITH VOLTMETER) IS DC VOLTAGE. (NO INPUT SIGNAL).
 ELECTROLYTIC CAPACITORS (E) ARE IN $\mu\text{F}/\text{V}$.
 ALL CAPACITORS ARE IN $\mu\text{F}/50\text{V}$ UNLESS OTHERWISE NOTED.
 EX) 100 \rightarrow 3 μF , 330 \rightarrow 33 μF , 331 \rightarrow 330 μF , 333 \rightarrow 0.033 μF
 CIRCUIT IS SUBJECT TO CHANGE FOR IMPROVEMENT.

Δ 印は火災、感電の危険に関与する部品の為、必ず指定部品を使用の事。
 電圧表示は無信号時に測定した直流電圧を示す。
 記入なき電解コンデンサの単位は $\mu\text{F}/\text{V}$ である。
 記入なきコンデンサの単位は μF である。
 例) 100 \rightarrow 3 μF , 330 \rightarrow 33 μF , 331 \rightarrow 330 μF , 333 \rightarrow 0.033 μF
 本配線図は基本配線図につき性能改善等により予告なく変更する事がある。

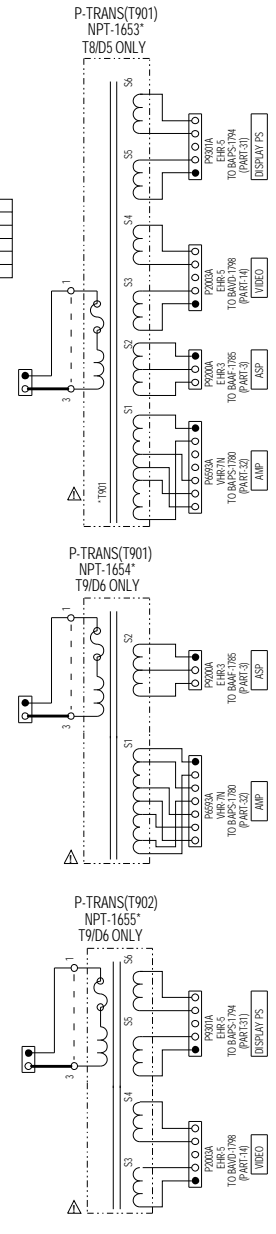
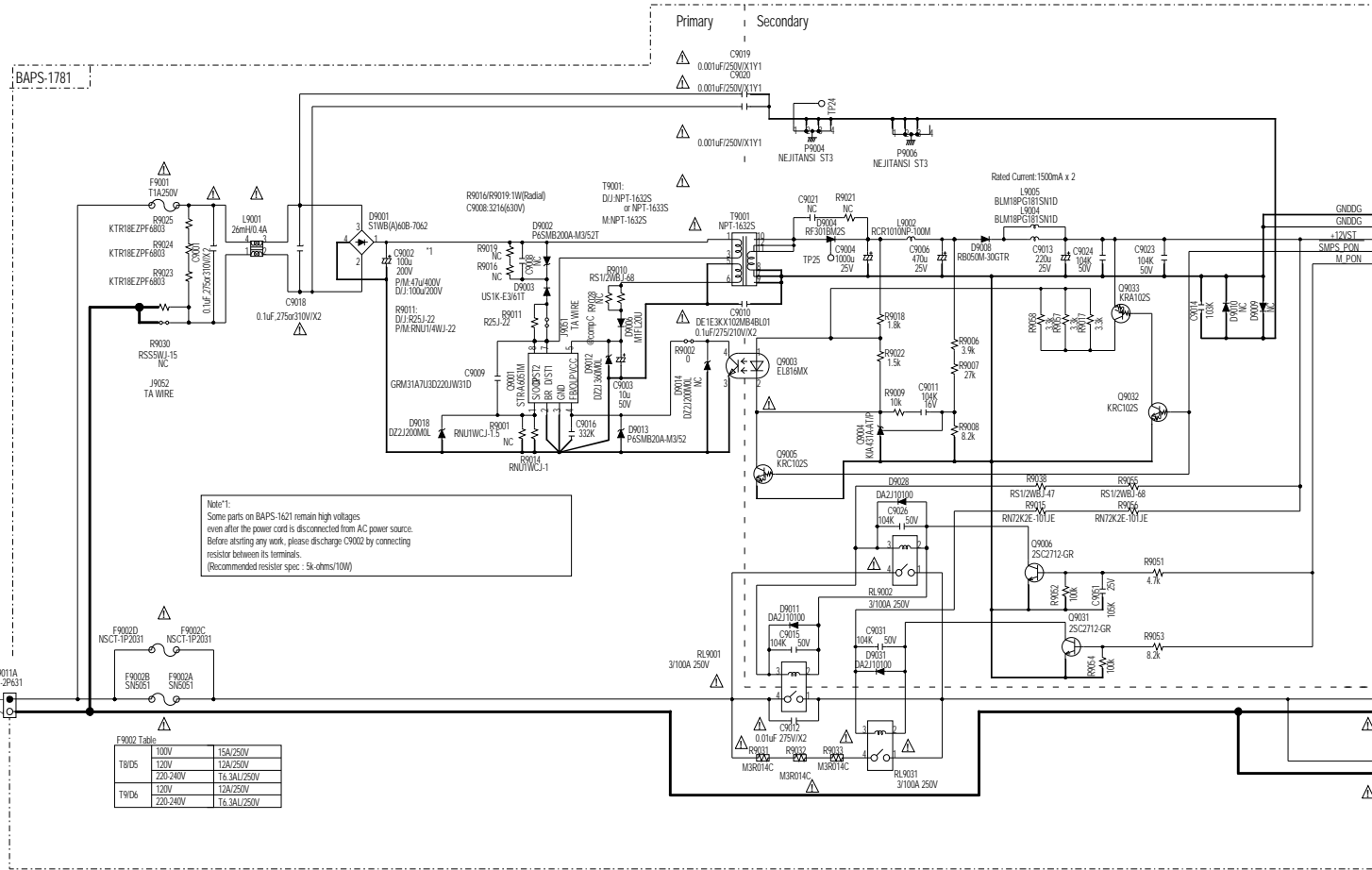
CAUTION
 FOR CONTINUED PROTECTION AGAINST FIRE HAZARD,
 REPLACE ONLY WITH FUSE OF SAME TYPE AND RATING INDICATED.

ATTENTION
 AFIN D'ASSURER UNE PROTECTION PERMANENTE CONTRE LES RISQUES D'INCENDIE,
 REMPLACER UNIQUEMENT PAR UN FUSIBLE DE MEME TYPE ET CALIBRATION COMME INDIQUE.

THIS SYMBOL LOCATED NEAR THE FUSE INDICATES THAT THE FUSE USED IS SLOW OPERATING TYPE
 FOR CONTINUED PROTECTION AGAINST FIRE HAZARD, REPLACE WITH SAME TYPE FUSE.
 RATING REFER TO THE MAKING ADJACENT TO THE SYMBOL.

CE SYMBOLE INDIQUE QUE LE FUSIBLE UTILISE EST A LENT, E POUR UNE PROTECTION PERMANENT.
 UTILISER QUE DES FUSIBLES DE MEME TYPE.
 CE DERNIER EST INDIQUE LA COTE PRESENT SYMBOLE EST APOSE.

Main/Sub Trans Table			
Model	Voltage	T901	P902
T8/D5	100V	NPT-16531	-
	120V	NPT-1653D	-
	220-240V	NPT-1653M	-
T9/D6	120V	NPT-1654D	NPT-1655D
	220-240V	NPT-1654M	NPT-1655M



F9002 Table		
T8/D5	100V	15A/250V
	120V	12A/250V
	220-240V	T6.3A/250V
T9/D6	120V	12A/250V
	220-240V	T6.3A/250V

MODEL NO. DHC-60.7 SCHEMATIC DIAGRAM (PART-34) PS SECTION

THE COMPONENTS IDENTIFIED MARK \triangle ARE CRITICAL FOR SAFETY. REPLACE ONLY WITH PART NUMBER SPECIFIED.
 VOLTAGE (MEASURED WITH VOLTMETER IS DC VOLTAGE. (NO INPUT SIGNAL)
 ELECTROLYTIC CAPACITORS ($\text{---}||\text{---}$) ARE IN $\mu\text{F}/\text{VW}$.
 ALL CAPACITORS ARE IN $\mu\text{F}/50\text{V}$ UNLESS OTHERWISE NOTED.
 EX) 100 \rightarrow 3 μF , 330 \rightarrow 33 μF , 331 \rightarrow 330 μF , 333 \rightarrow 0.033 μF
 CIRCUIT IS SUBJECT TO CHANGE FOR IMPROVEMENT.

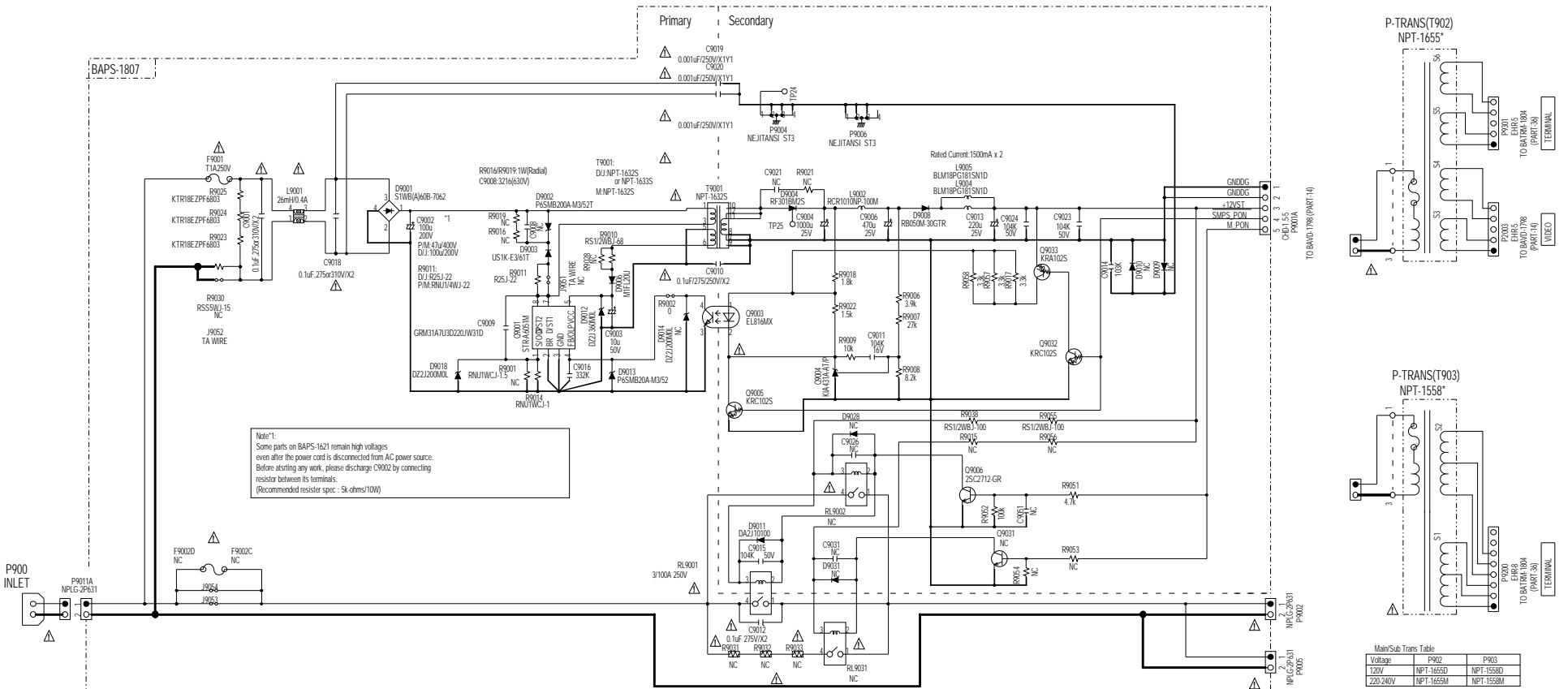
\triangle 印は火災、感電の危険に関与する部品の為、必ず指定部品を使用の事。
 電圧表示は無信号時に測定した直流電圧を示す。
 記入なき電解コンデンサの単位は $\mu\text{F}/\text{VW}$ である。
 記入なきコンデンサの単位は μF である。
 例) 100 \rightarrow 3 μF , 330 \rightarrow 33 μF , 331 \rightarrow 330 μF , 333 \rightarrow 0.033 μF
 本配線図は基本配線図につき性能改善等により予告なく変更する事がある。

CAUTION
 FOR CONTINUED PROTECTION AGAINST FIRE HAZARD,
 REPLACE ONLY WITH FUSE OF SAME TYPE AND RATING INDICATED.

ATTENTION
 AFIN D'ASSURER UNE PROTECTION PERMANENTE CONTRE LES RISQUES D'INCENDIE,
 REMPLACER UNIQUEMENT PAR UN FUSIBLE DE MEME TYPE ET CALIBRATION COMME INDIQUE.

THIS SYMBOL LOCATED NEAR THE FUSE INDICATES THAT THE FUSE USED IS SLOW OPERATING TYPE
 FOR CONTINUED PROTECTION AGAINST FIRE HAZARD, REPLACE WITH SAME TYPE FUSE.
 RATING REFER TO THE MAKING ADJACENT TO THE SYMBOL.

CE SYMBOLE INDIQUE QUE LE FUSIBLE UTILISE EST A LENT, E POUR UNE PROTECTION PERMANENT.
 UTILISER QUE DES FUSIBLES DE MEME TYPE.
 CE DERNIER EST INDIQUE LA COULE PRESENT SYMBOLE EST APOSE.



Note*1:
 Some parts on BAPS-1621 remain high voltages
 even after the power cord is disconnected from AC power source.
 Before starting any work, please discharge C9002 by connecting
 resistor between its terminals.
 (Recommended resistor spec: 5k-ohms/10W)

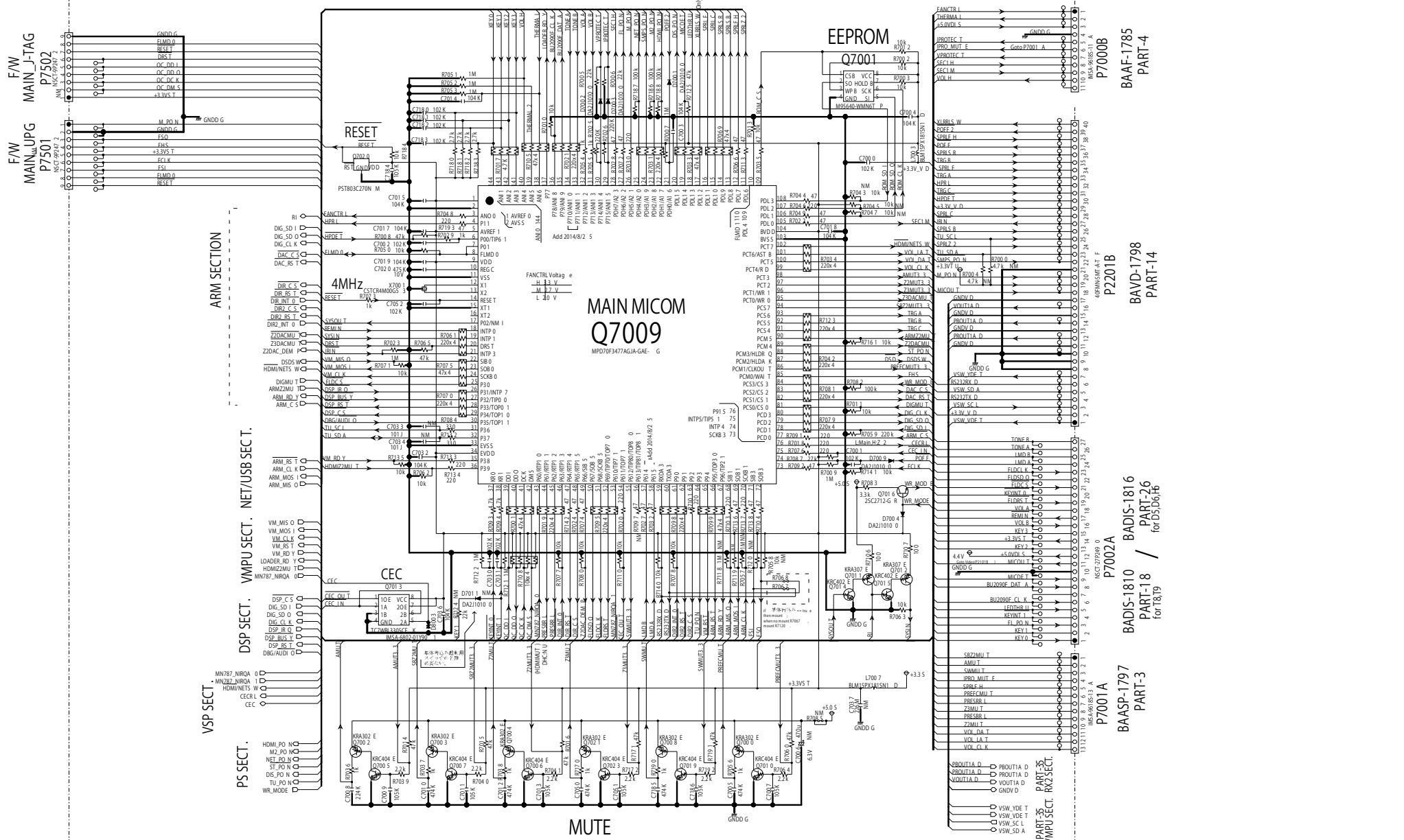
Main/Sub Trans Table

Voltage	P902	P903
120V	NPT-1655D	NPT-1558D
220-240V	NPT-1655M	NPT-1558M

MODEL NO.TX-RZ800/900/DTR-5 0.7/60.7/DHC-6 0.7
BAPRC-1802 (1/10)

SCHEMATIC DIAGRAM (PART-35) MPU SECTION

H6PR 1:0 D
1E:1 F 1A:1B:1C:1
P7000 B 0 1



P7000 B
BAAF-1785
PART-4

P2201 B
BAVD-1798
PART-14

P7002 A
BADIS-1816
PART-26
for DS, D6, H6

P7001 A
BAASP-1797
PART-3

PART 25
VMPU SECT.
RAZ SECT.

PART 26
VMPU SECT.
RAZ SECT.

NET/USB POWER SECTION

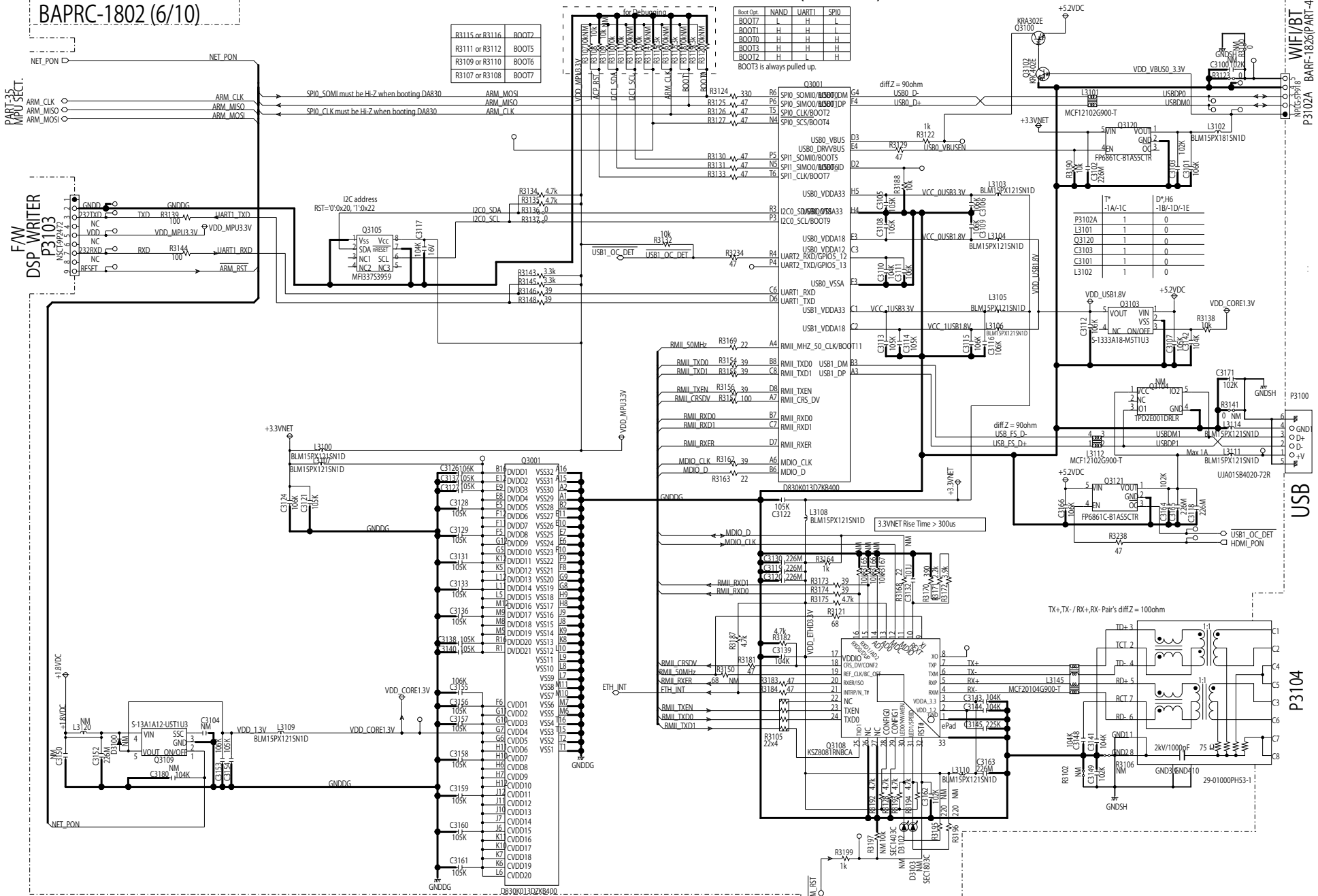
Schematic Diagram

MODEL NO. TX-RZ800/900/DTR-50.7/60.7/DHC-60.7

SCHEMATIC DIAGRAM (PART-35)

NET/USB POWER SECTION

BAPRC-1802 (6/10)

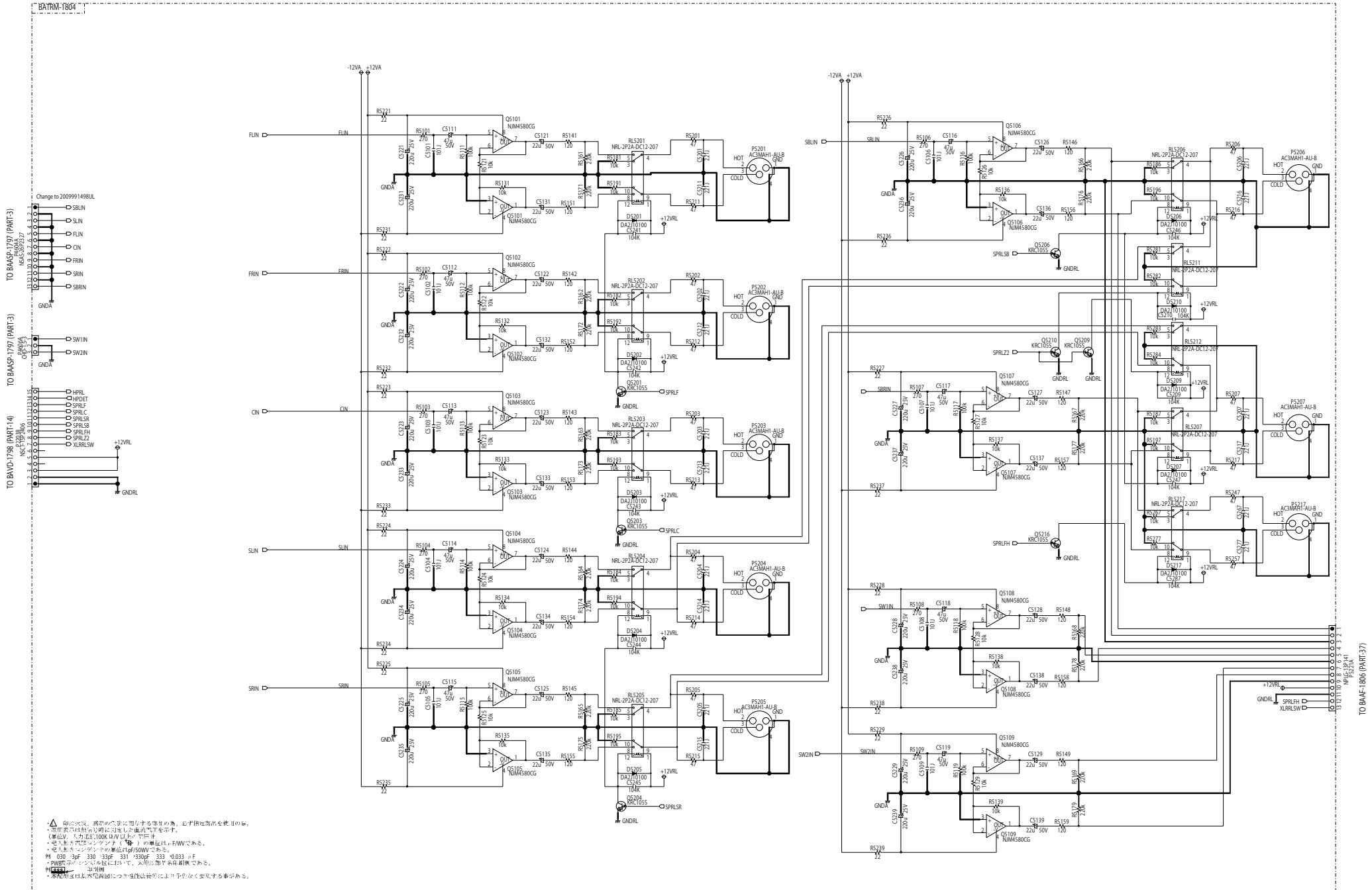


BALANCE out(main) SECTION

Schematic Diagram

Model No. DHC-60.7 SCHEMATIC DIAGRAM (PART-36)

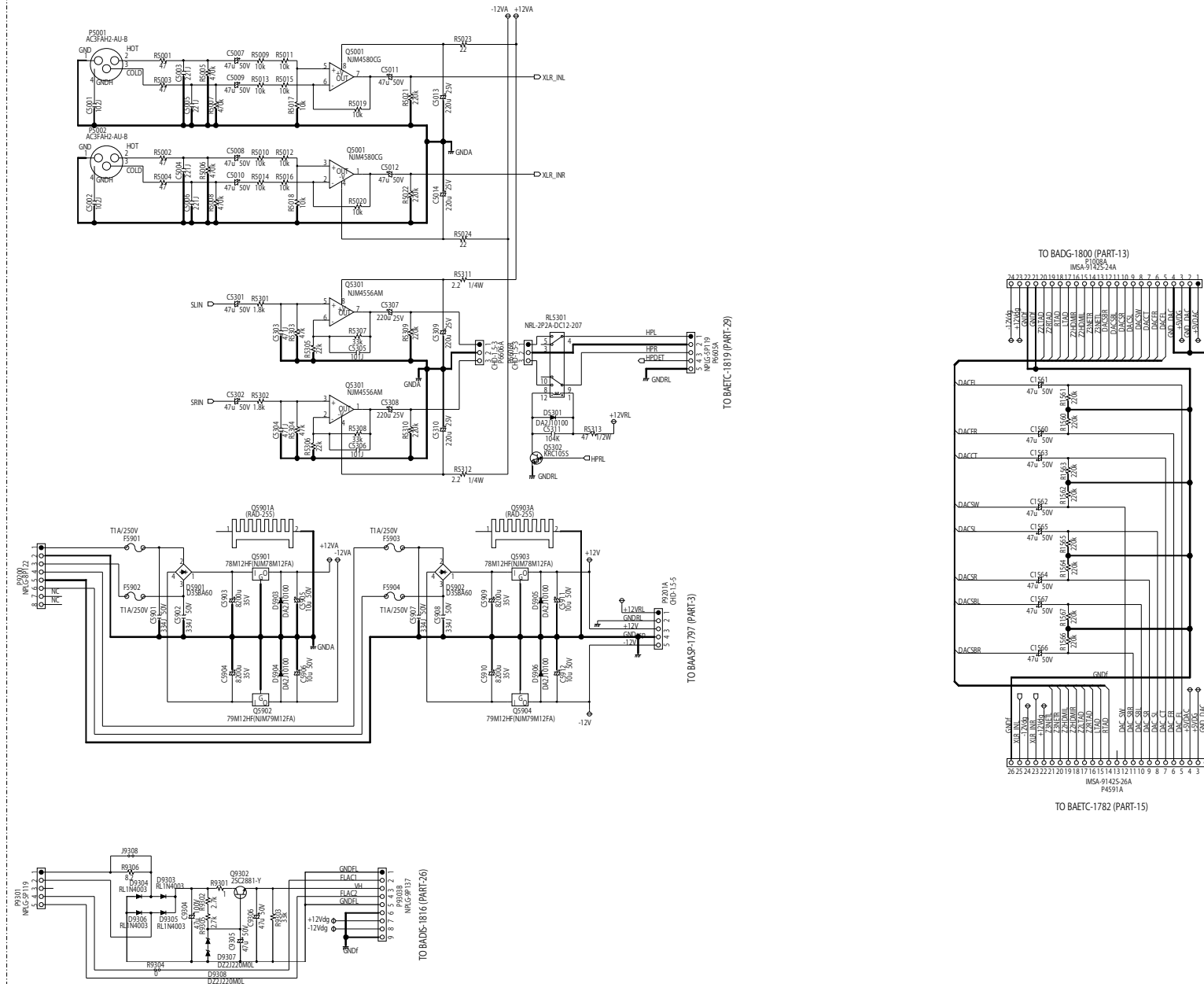
BALANCE out(main) SECTION



Model No. DHC-60.7 SCHEMATIC DIAGRAM (PART-36)

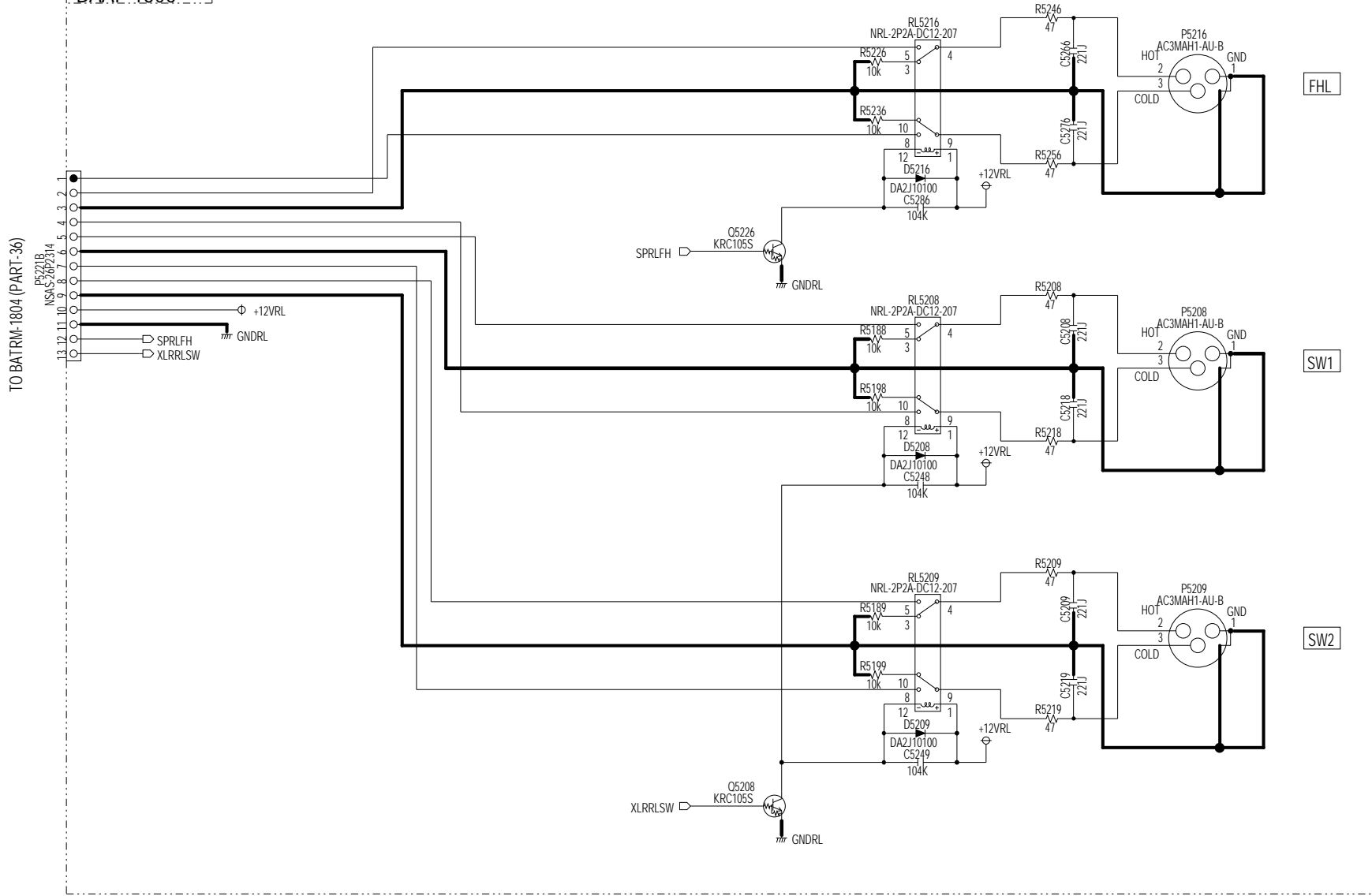
Balance In/OUT SECTION

BATRM-1804



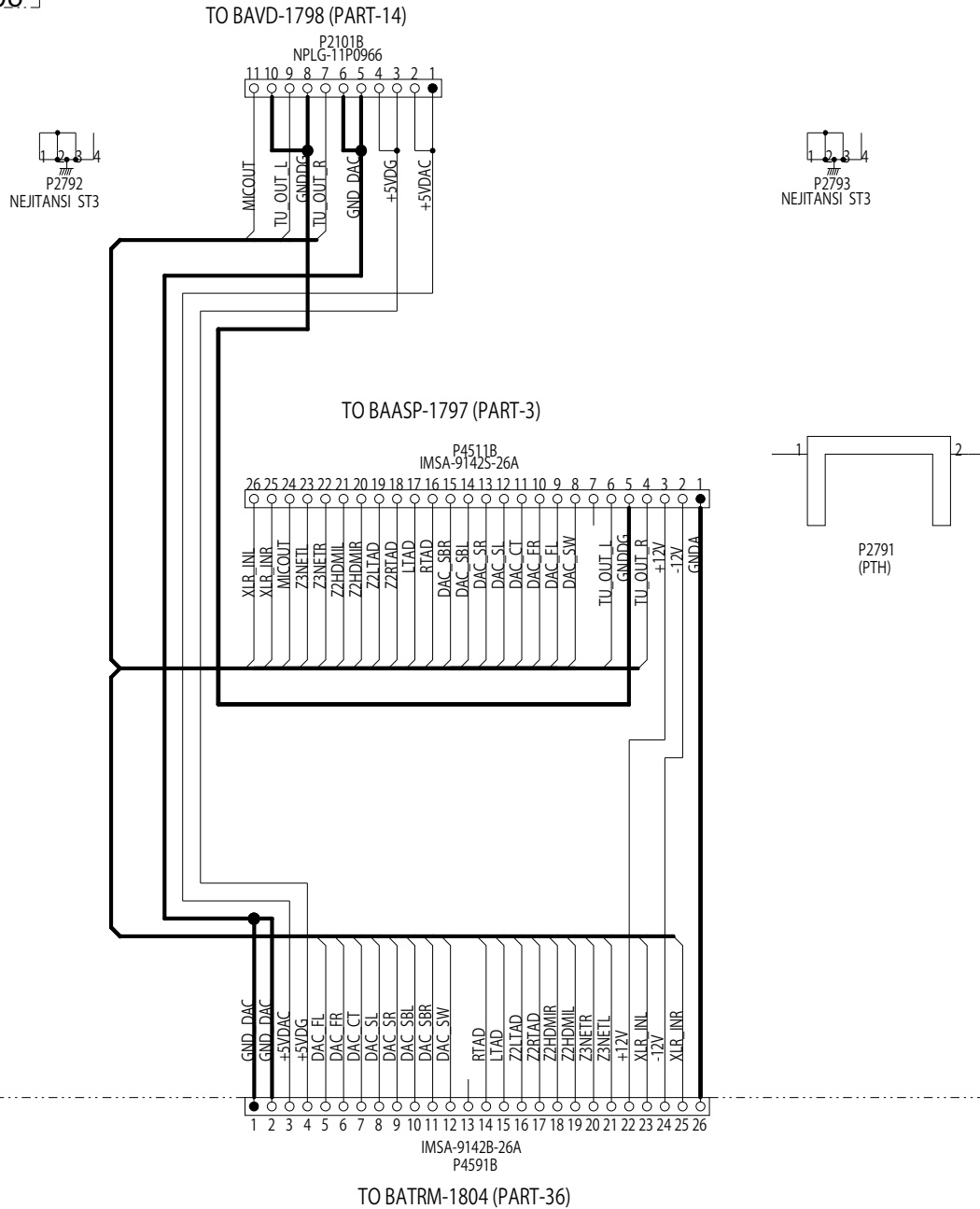
MODEL NO.DHC-60.7 SCHEMATIC DIAGRAM(PART-37) BALANCE OUT SECTION

BAAE-1806



MODEL NODHC-60.7 SCHEMATIC DIAGRAM(PART-38)

BAETC-1808

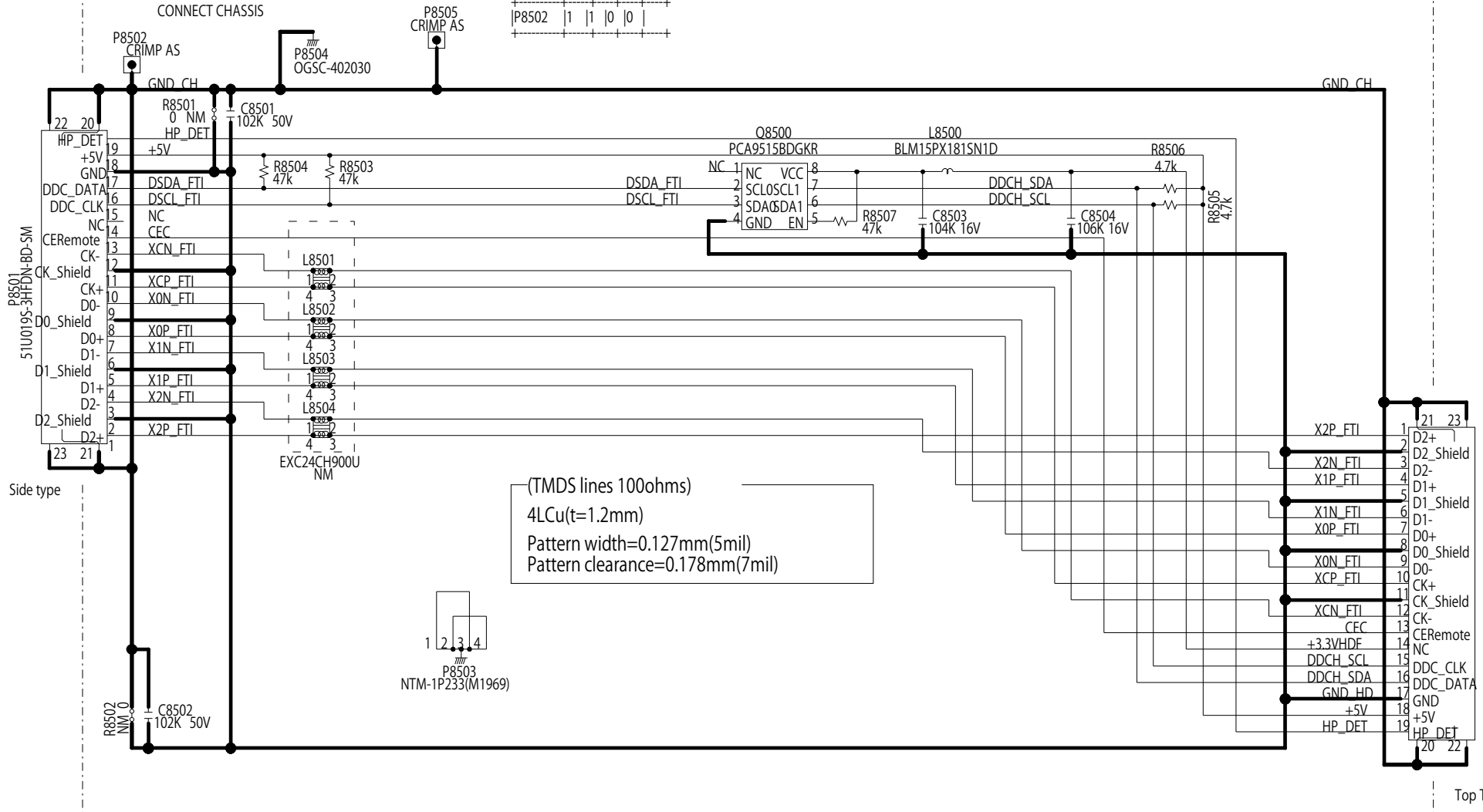


MODEL NO.TX-RZ800/900
SCHEMATIC DIAGRAM (PART-39) FRONT HDMI SECTION

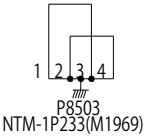
BAHDM-1825

	1A	1B	1C	1D
P8504	0	0	1	1
P8502	1	1	0	0

FRONT HDMI IN



(TMD5 lines 100ohms)
4LCu(t=1.2mm)
Pattern width=0.127mm(5mil)
Pattern clearance=0.178mm(7mil)



P8500
TCX3255-011187

BAPRC-1802
(Part-35)

Top Type

Wi-Fi/Bluetooth antenna BPF SECTION

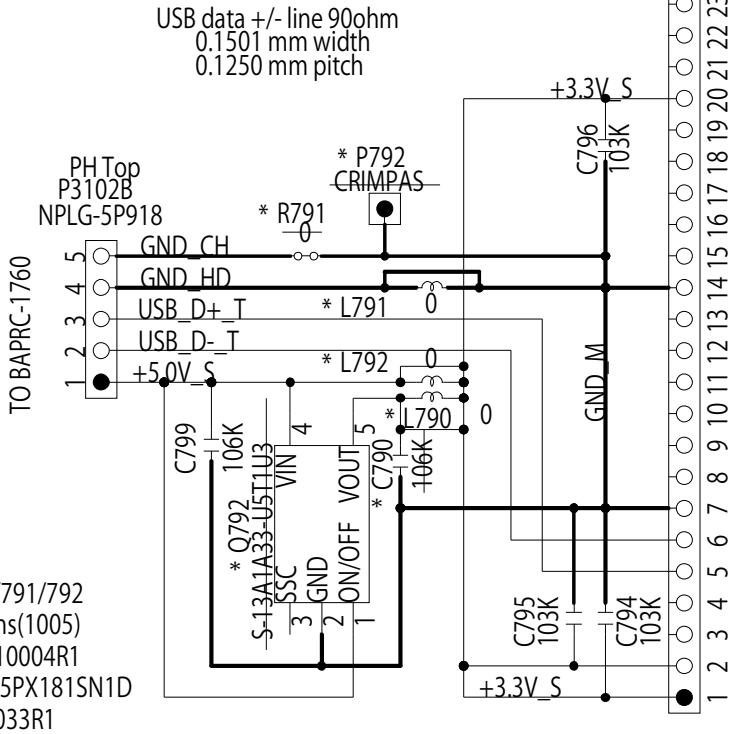
Schematic Diagram

Model No. TX-NR545/646/747,DTR-20.7/30.7 SCHEMATIC DIAGRAM (PART-12) Wi-Fi/Bluetooth Connector Section

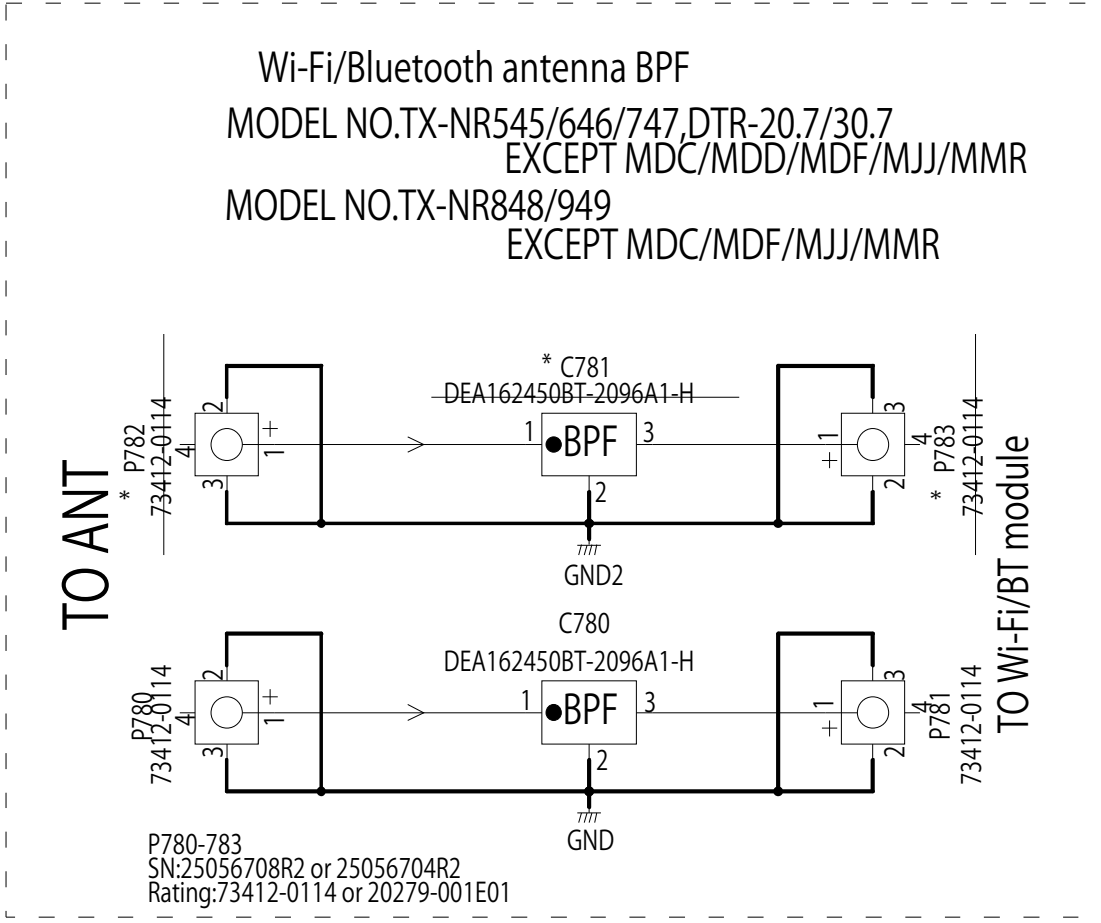
Model No. TX-NR848/949 SCHEMATIC DIAGRAM (PART-**) Wi-Fi/Bluetooth Connector Section

BARF-1567/1771

P791A
DF40HC-25-30DS-0.4V70



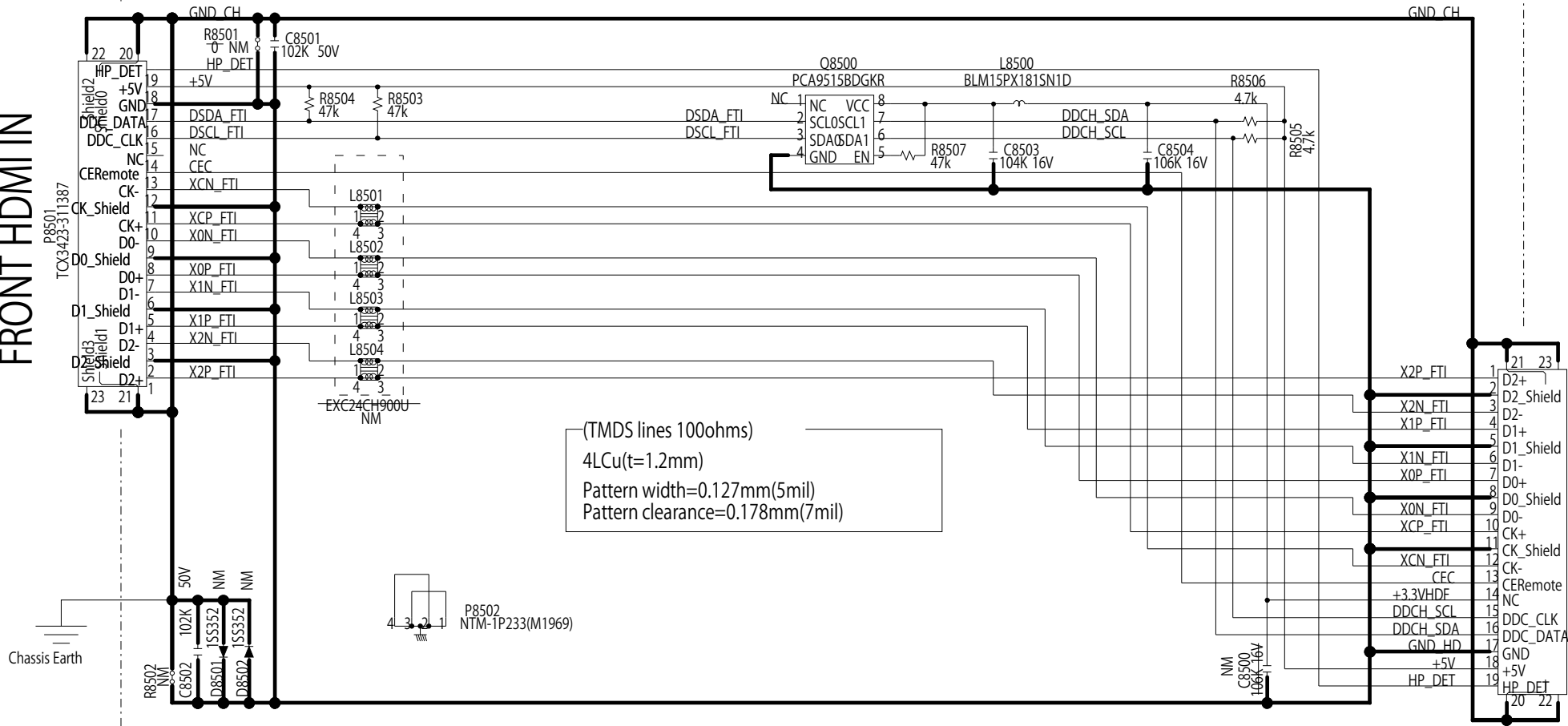
L790/791/792
0 ohms(1005)
435010004R1
BLM15PX181SN1D
2350033R1



MODEL NO. DTR-50.7/60.7,DHC-60.7
SCHEMATIC DIAGRAM (PART-42) FRONT HDMI SECTION

BAHDM-1823

FRONT HDMI IN

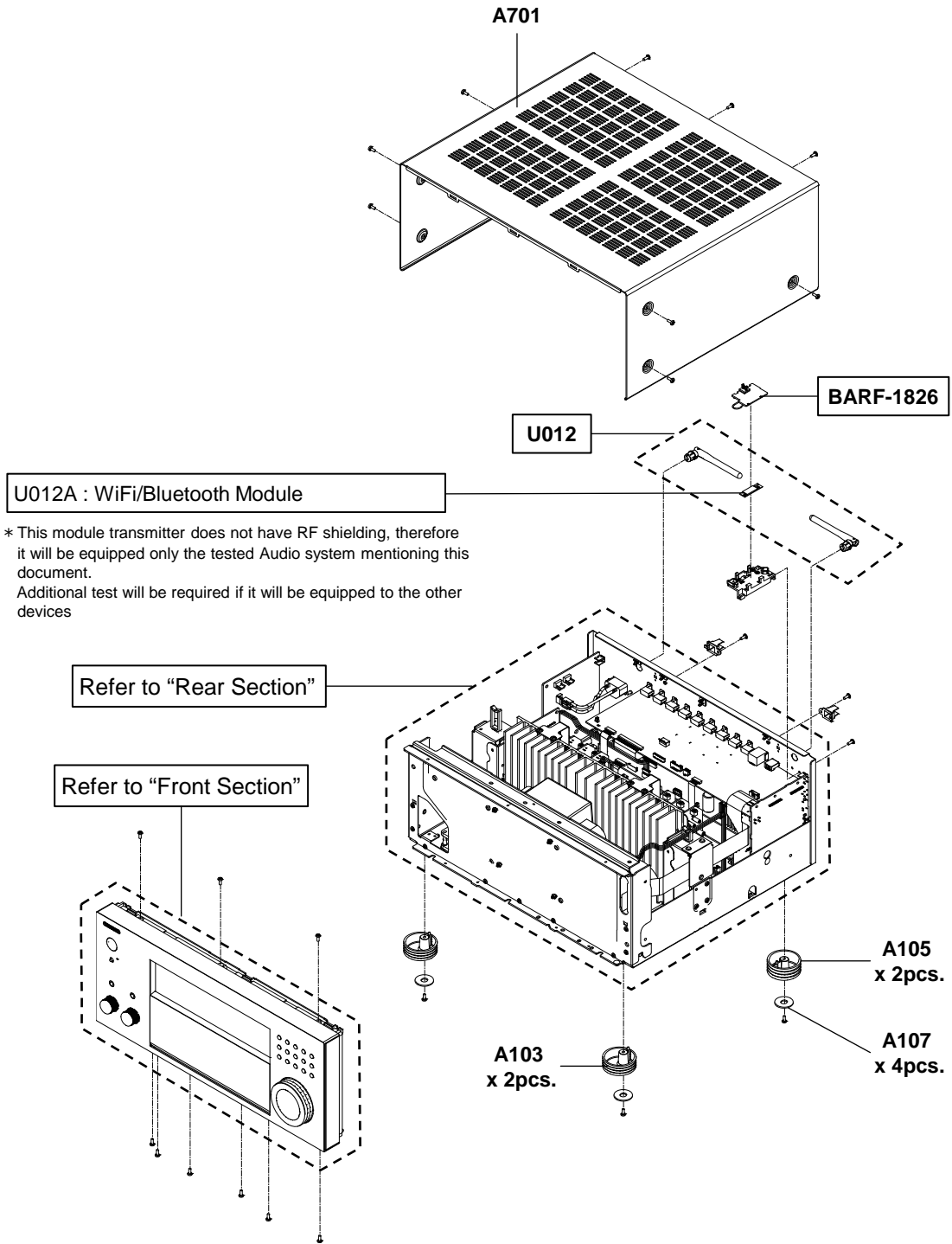


BAPRC-1802
(Part-35)

P8500
TCX3255-611187

Overview

Exploded View



* This module transmitter does not have RF shielding, therefore it will be equipped only the tested Audio system mentioning this document. Additional test will be required if it will be equipped to the other devices

*** WiFi & Bluetooth Module has already been certificated by FCC and IC.**

Information to the user.
Indicate "Contains FCC ID: TX2-RTL8723AS", "Contains IC: 6317A-RTL8723AS" and following information to the host device installed.

This device complies with part 15 of the FCC Rules. Operation is subject to the following two conditions: (1) This device may not cause harmful interference, and (2) this device must accept any interference received, including interference that may cause undesired operation.

Describe the following sentence to a user's manual of the host device.

[For FCC]
FCC CAUTION
Changes or modifications not expressly approved by the party responsible for compliance could void the user's authority to operate the equipment.

Note: This equipment has been tested and found to comply with the limits for a Class B digital device, pursuant to part 15 of the FCC Rules. These limits are designed to provide reasonable protection against harmful interference in a residential installation. This equipment generates, uses and can radiate radio frequency energy and, if not installed and used in accordance with the instructions, may cause harmful interference to radio communications. However, there is no guarantee that interference will not occur in a particular installation. If this equipment does cause harmful interference to radio or television reception, which can be determined by turning the equipment off and on, the user is encouraged to try to correct the interference by one or more of the following measures:

- Reorient or relocate the receiving antenna.
- Increase the separation between the equipment and receiver.
- Connect the equipment into an outlet on a circuit different from that to which the receiver is connected.
- Consult the dealer or an experienced radio/TV technician for help.

This transmitter must not be co-located or operated in conjunction with any other antenna or transmitter.

This equipment complies with FCC radiation exposure limits set forth for an uncontrolled environment and meets the FCC radio frequency (RF) Exposure Guidelines in Supplement C to OET65. This equipment has very low levels of RF energy that it deemed to comply without maximum permissive exposure evaluation (MPE). But it is desirable that it should be installed and operated keeping the radiator at least 20cm or more away from person's body (excluding extremities: hands, wrists, feet and ankles).

[For IC]
CAN ICES-3 B/NMB-3 B

This device complies with Industry Canada licence-exempt RSS standard(s). Operation is subject to the following two conditions: (1) this device may not cause interference, and (2) this device must accept any interference, including interference that may cause undesired operation of the device.

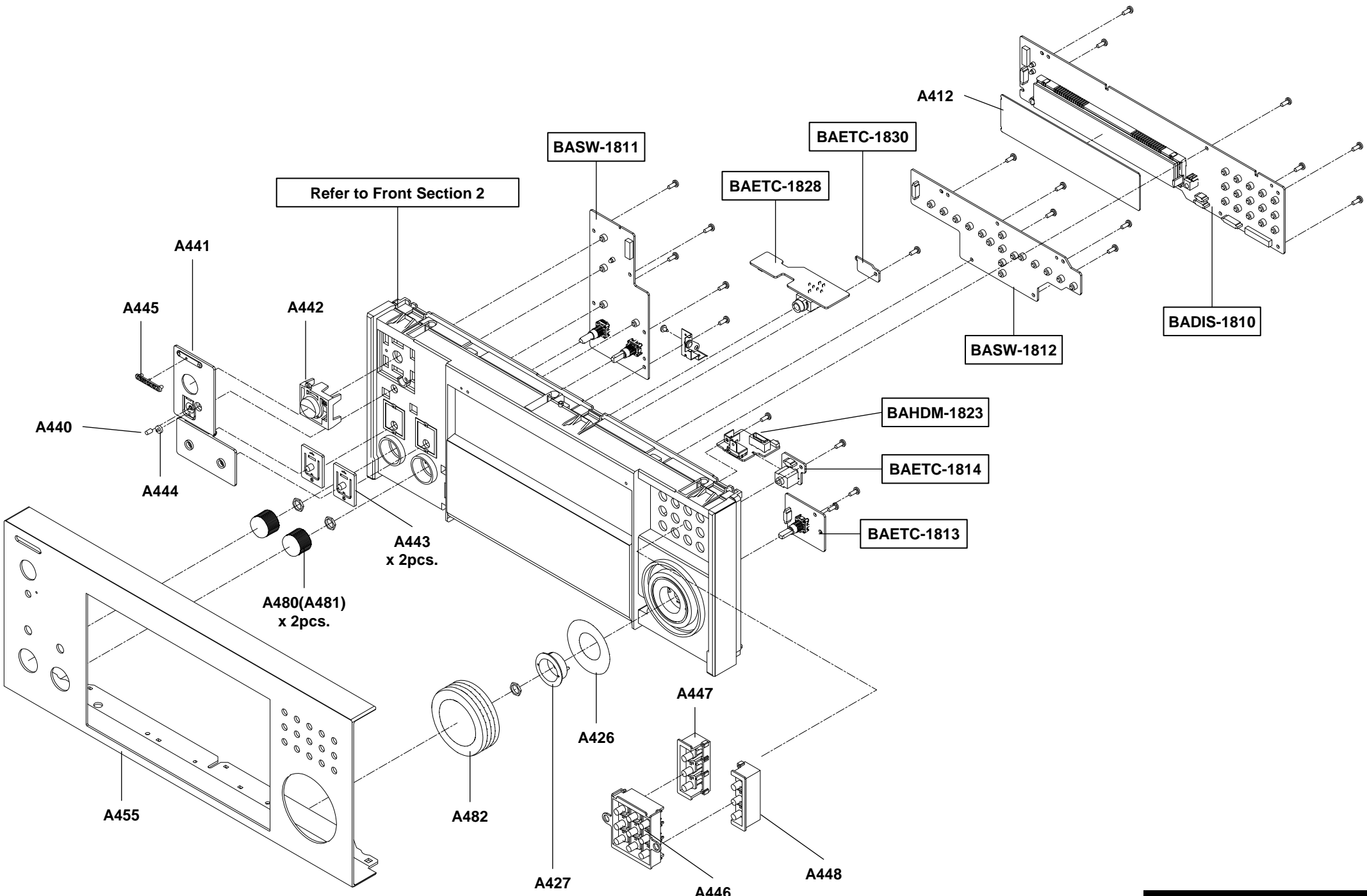
Le présent appareil est conforme aux CNR d'Industrie Canada applicables aux appareils radio exempts d'licence. L'exploitation est autorisée aux deux conditions suivantes : (1) l'appareil ne doit pas produire de brouillage, et (2) l'utilisateur de l'appareil doit accepter tout brouillage radioélectrique subi, même si le brouillage est susceptible d'en compromettre le fonctionnement.

This equipment complies with IC radiation exposure limits set forth for an uncontrolled environment and meets RSS-102 of the IC radio frequency (RF) Exposure rules. This equipment has very low levels of RF energy that it deemed to comply without maximum permissive exposure evaluation (MPE). But it is desirable that it should be installed and operated keeping the radiator at least 20cm or more away from person's body (excluding extremities: hands, wrists, feet and ankles).

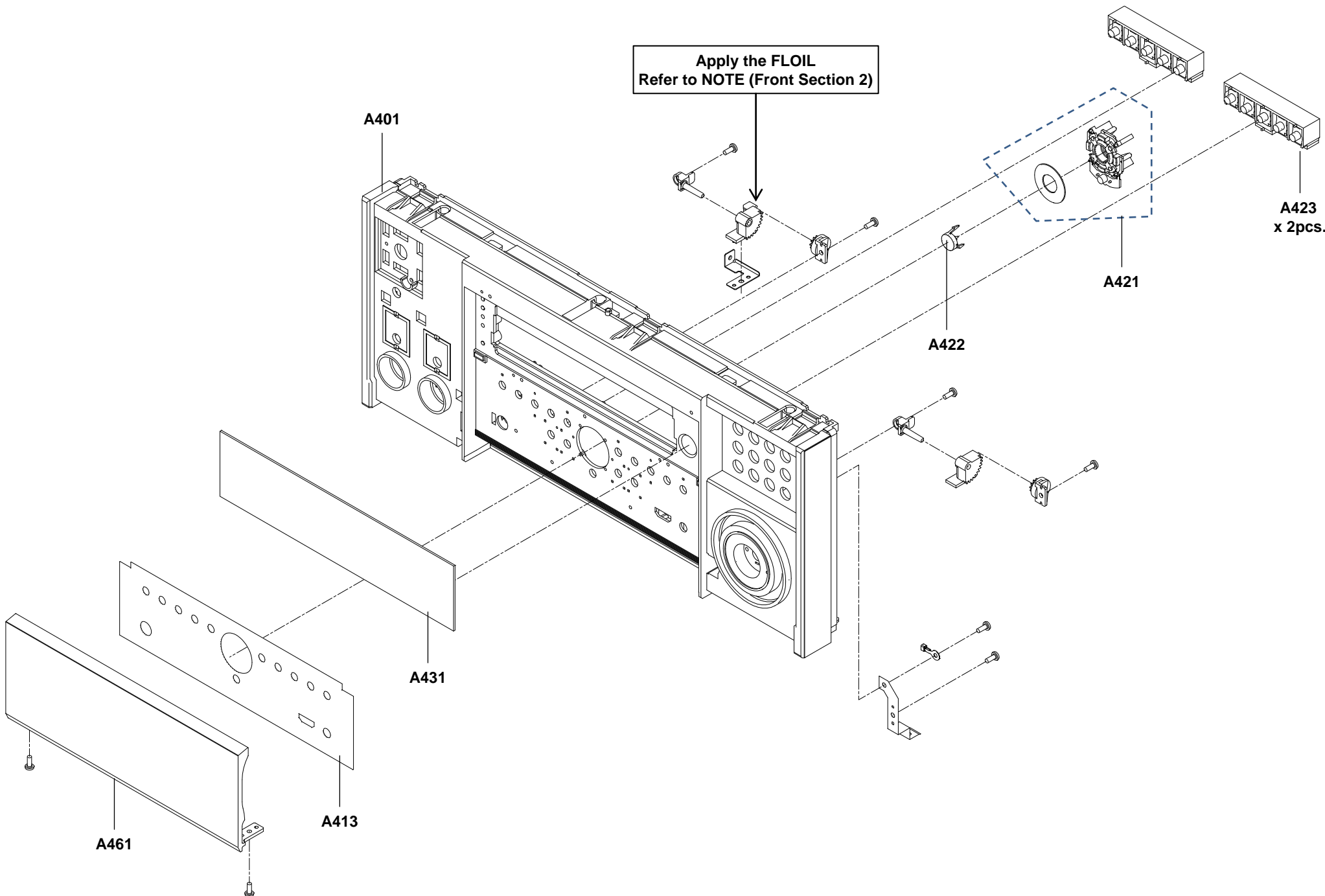
Cet équipement est conforme aux limites d'exposition aux rayonnements énoncées pour un environnement non contrôlé et respecte les règles d'exposition aux fréquences radioélectriques (RF) CNR-102 de l'IC. Cet équipement émet une énergie RF très faible qui est considérée conforme sans évaluation de l'exposition maximale autorisée. Cependant, cet équipement doit être installé et utilisé en gardant une distance de 20 cm ou plus entre le dispositif rayonnant et le corps (à l'exception des extrémités : mains, poignets, pieds et chevilles).

Front Section 1

Exploded View



Apply the FLOIL
Refer to NOTE (Front Section 2)



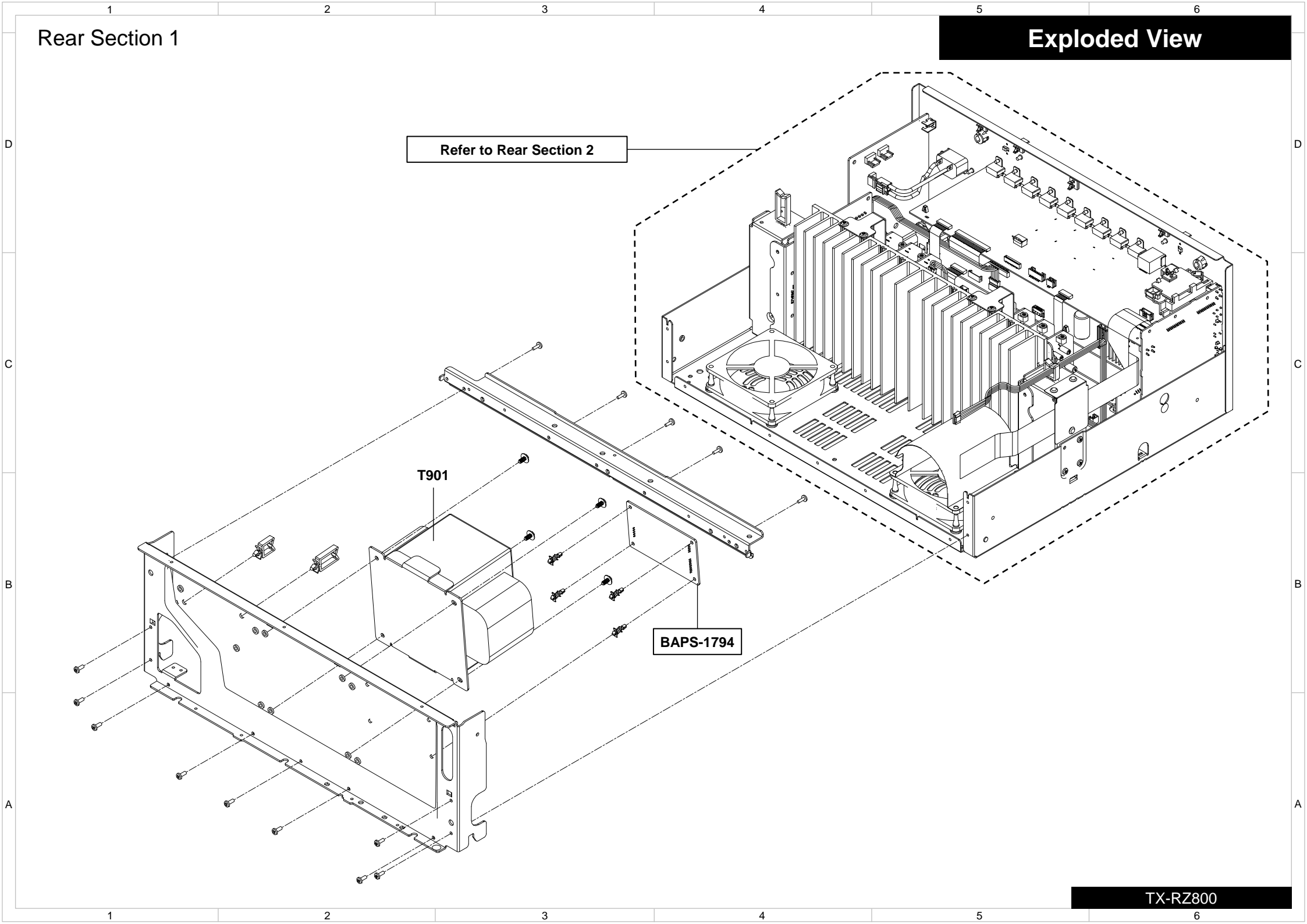
Rear Section 1

Exploded View

Refer to Rear Section 2

T901

BAPS-1794



Rear Section 2

Exploded View

P061(P062)
x 2pcs.

A251

P900

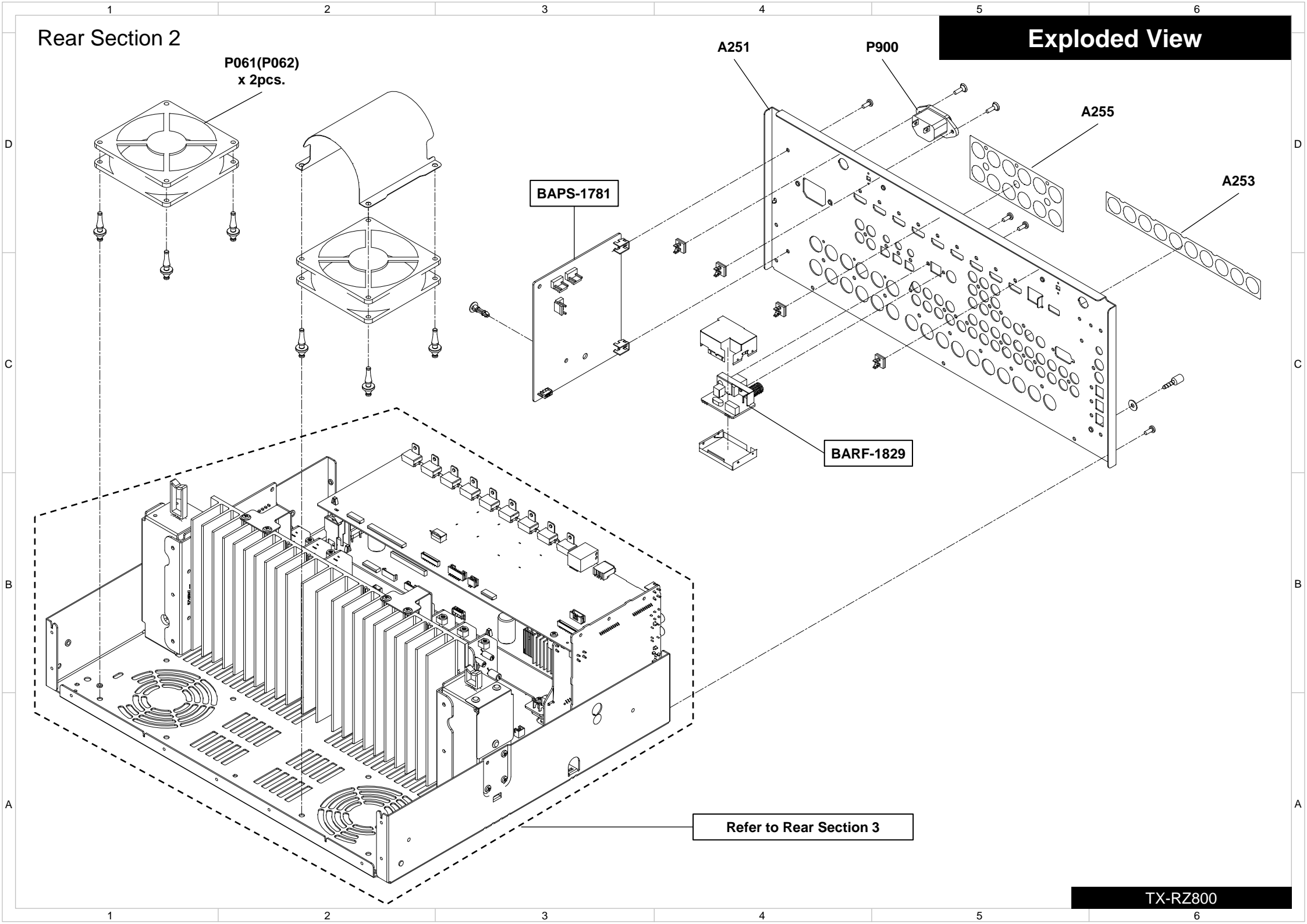
A255

A253

BAPS-1781

BARF-1829

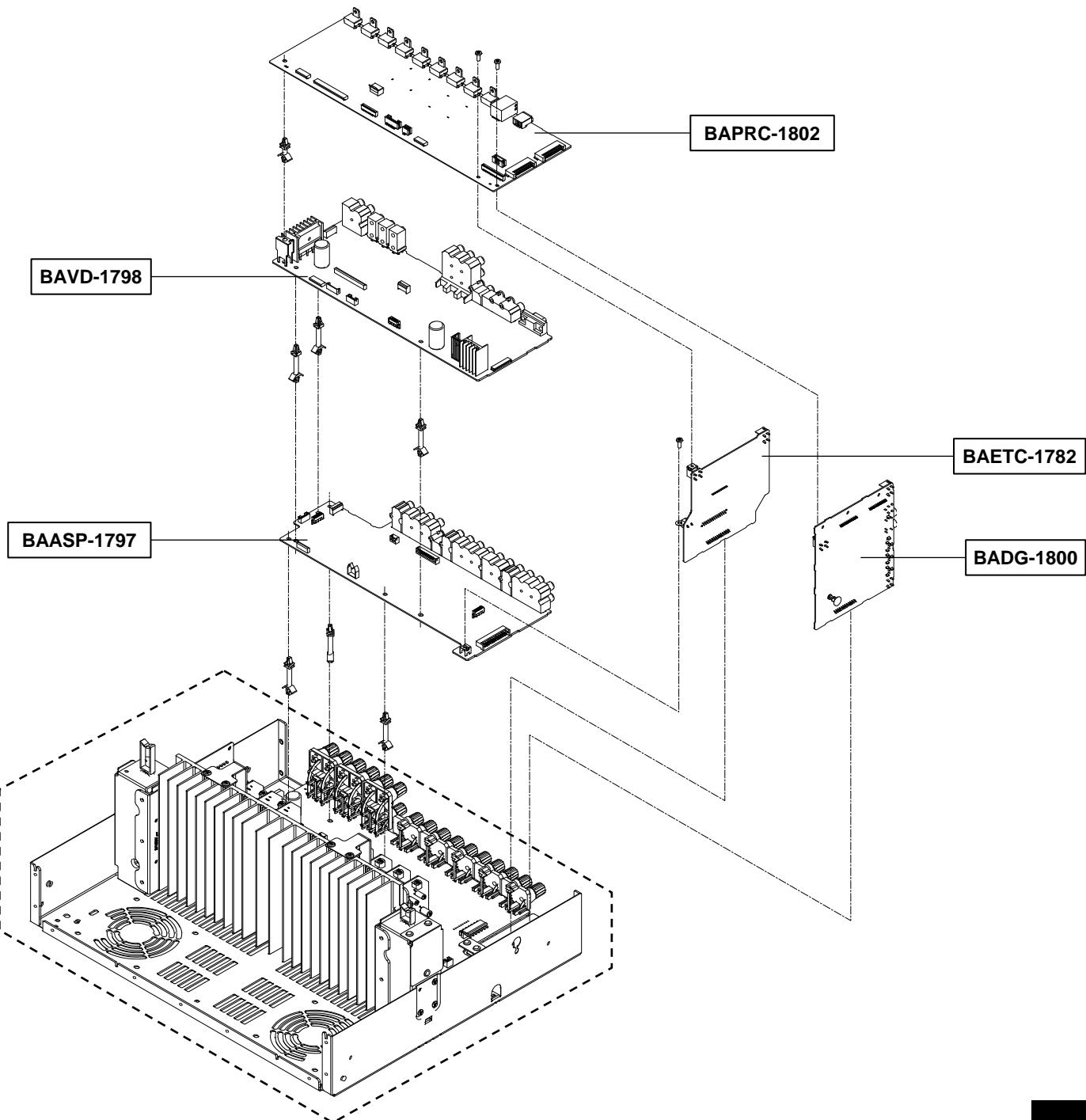
Refer to Rear Section 3



Rear Section 3

Exploded View

Refer to Rear Section 4



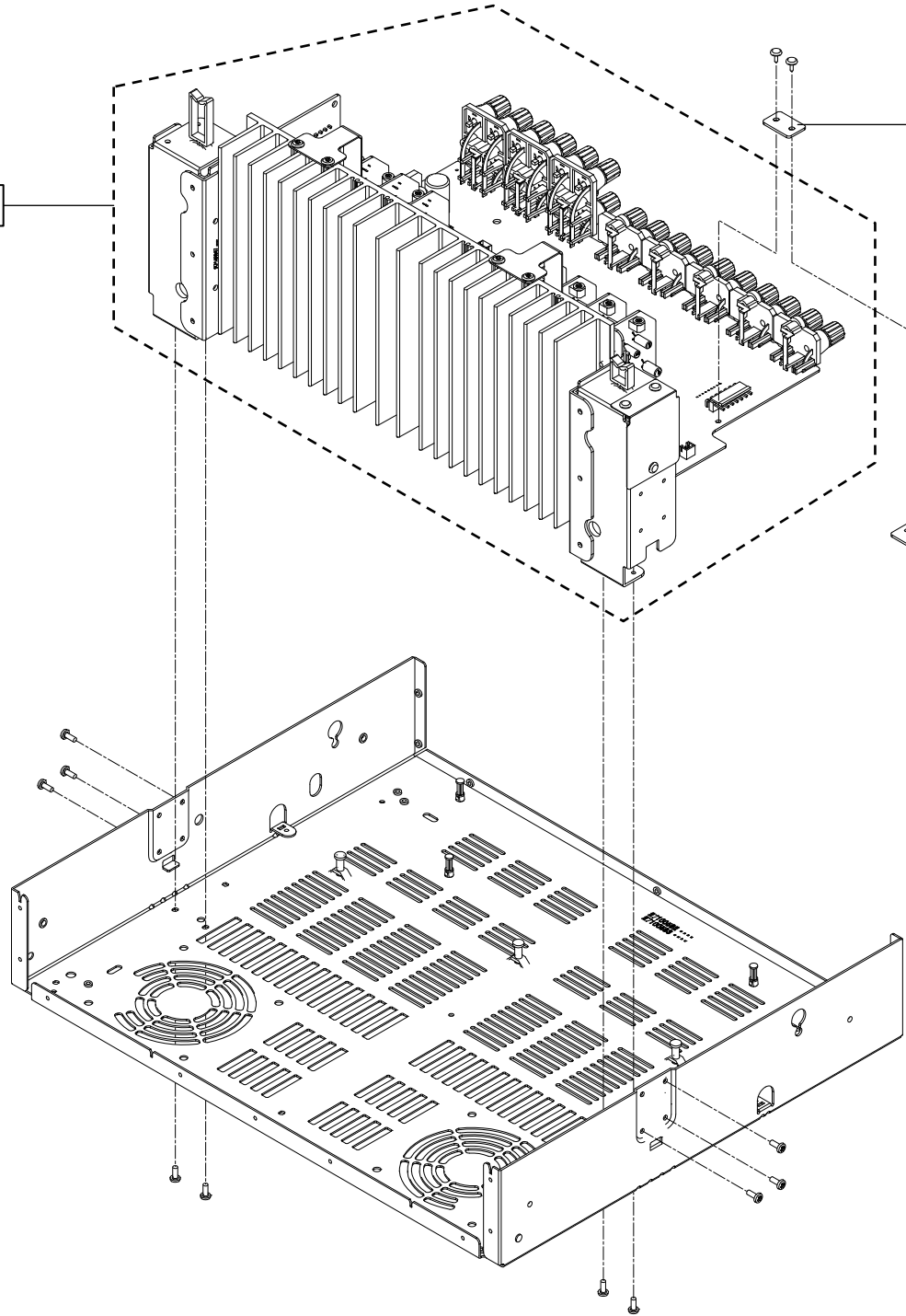
Rear Section 4

Exploded View

Refer to Amp Section 1

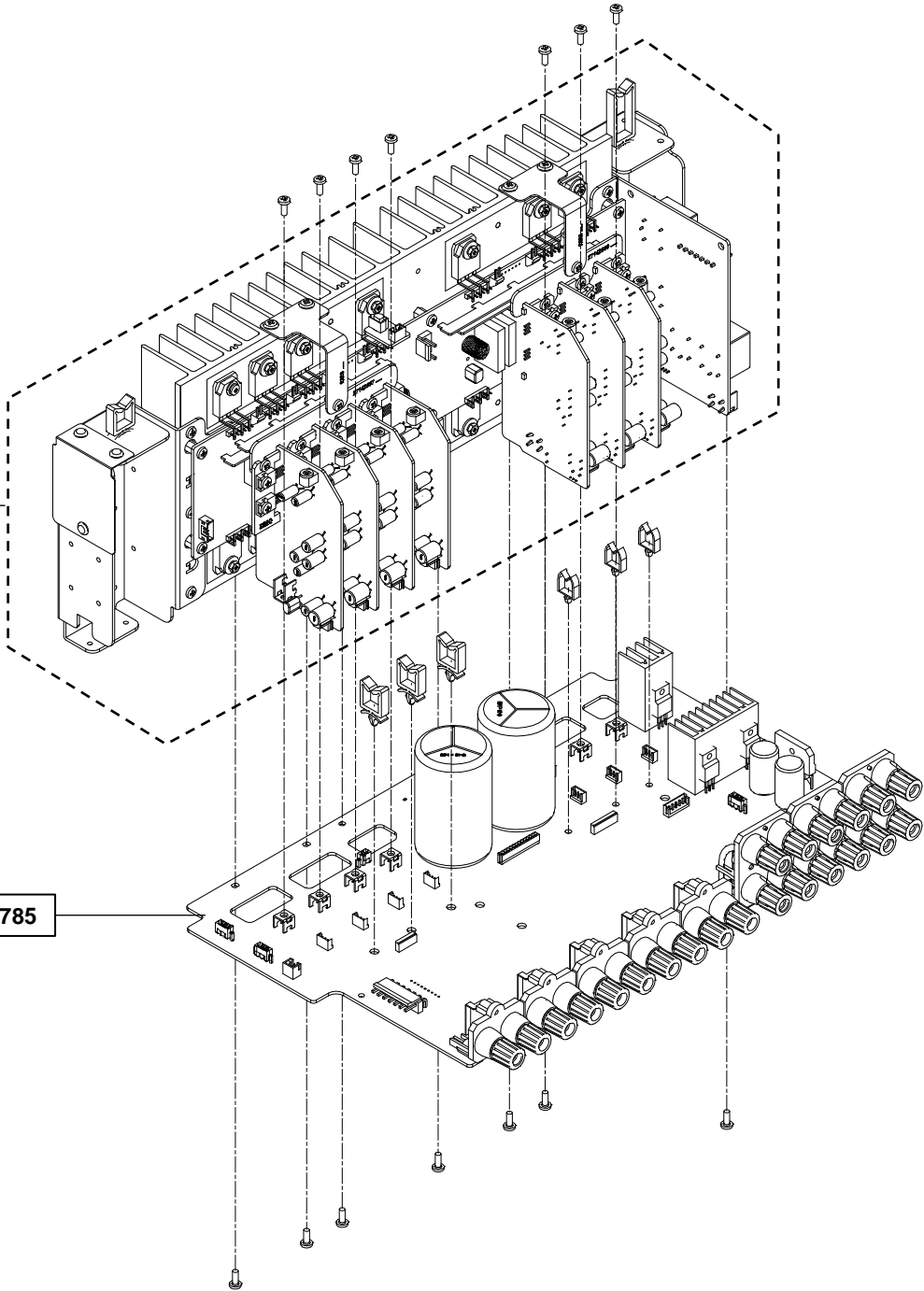
BAETC-1786

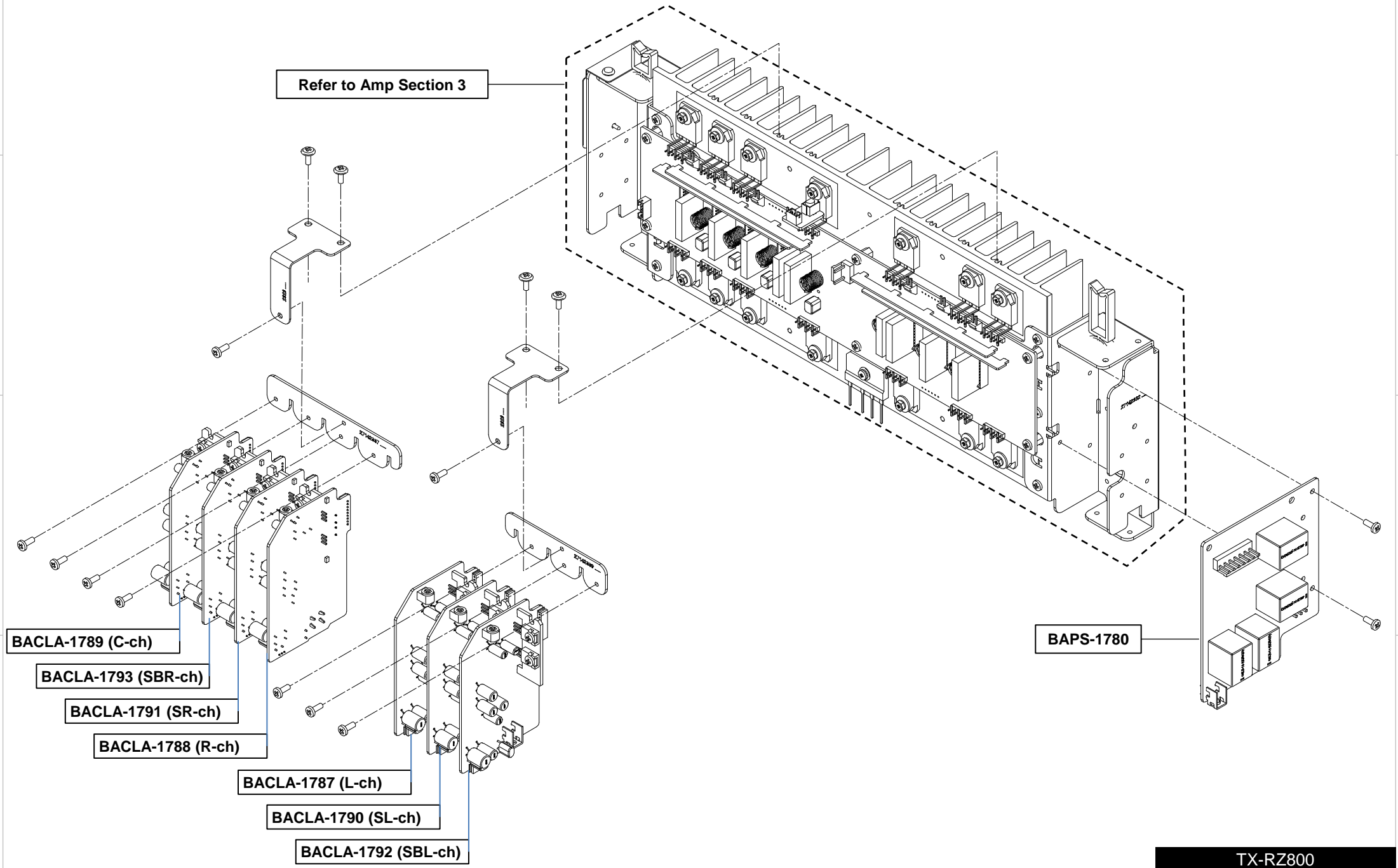
BAETC-1795

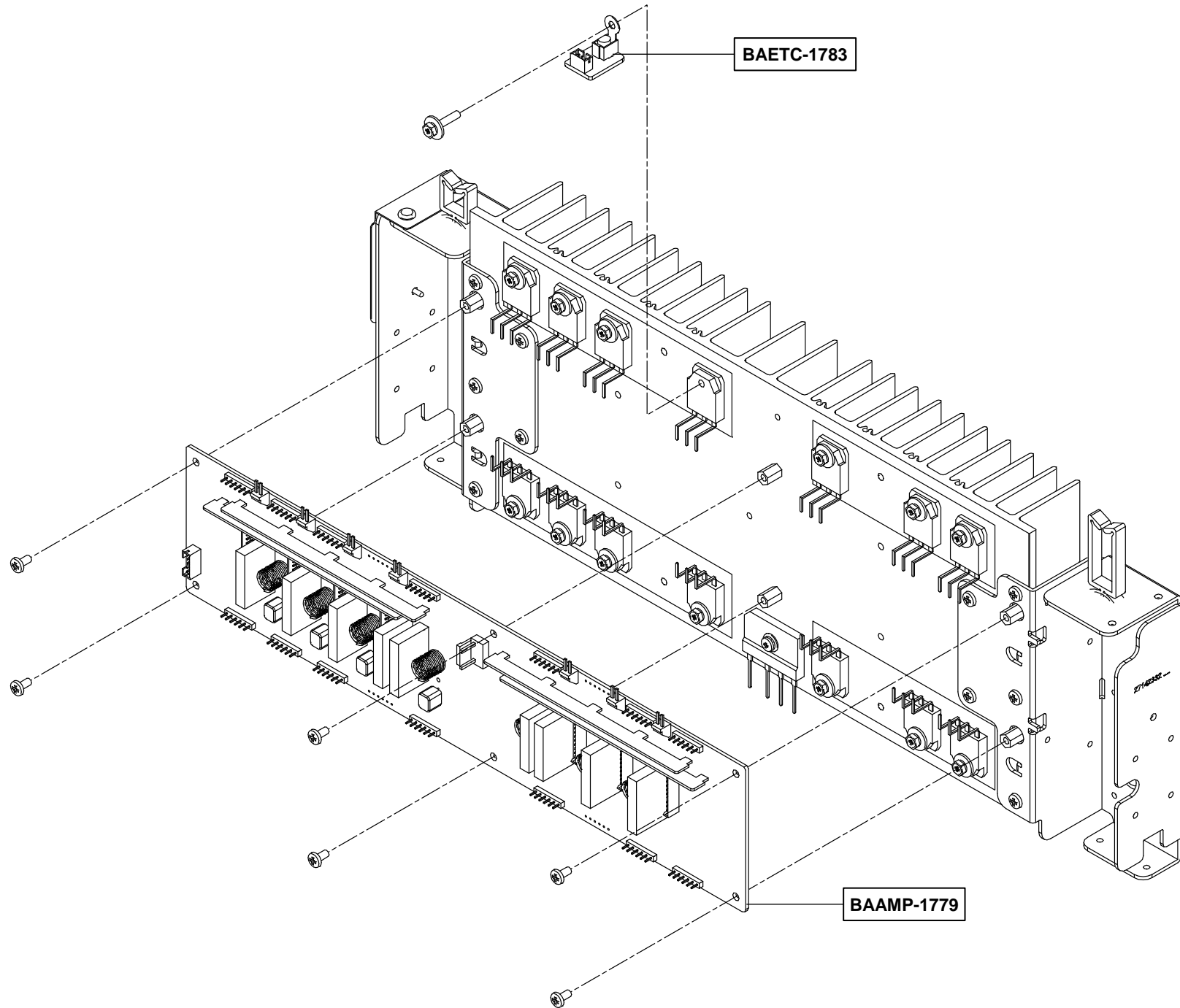


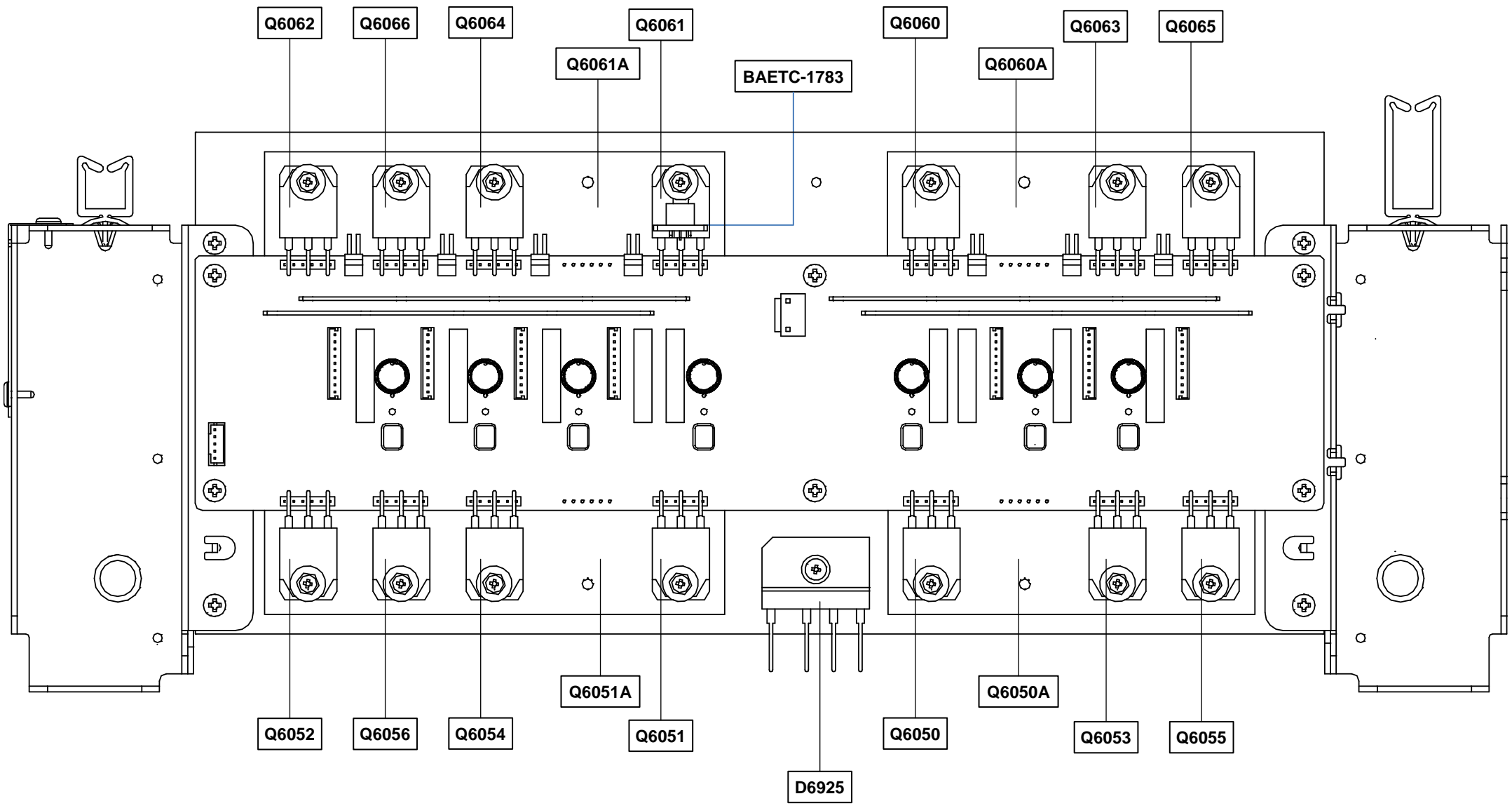
Refer to Amp Section 2

BAAF-1785



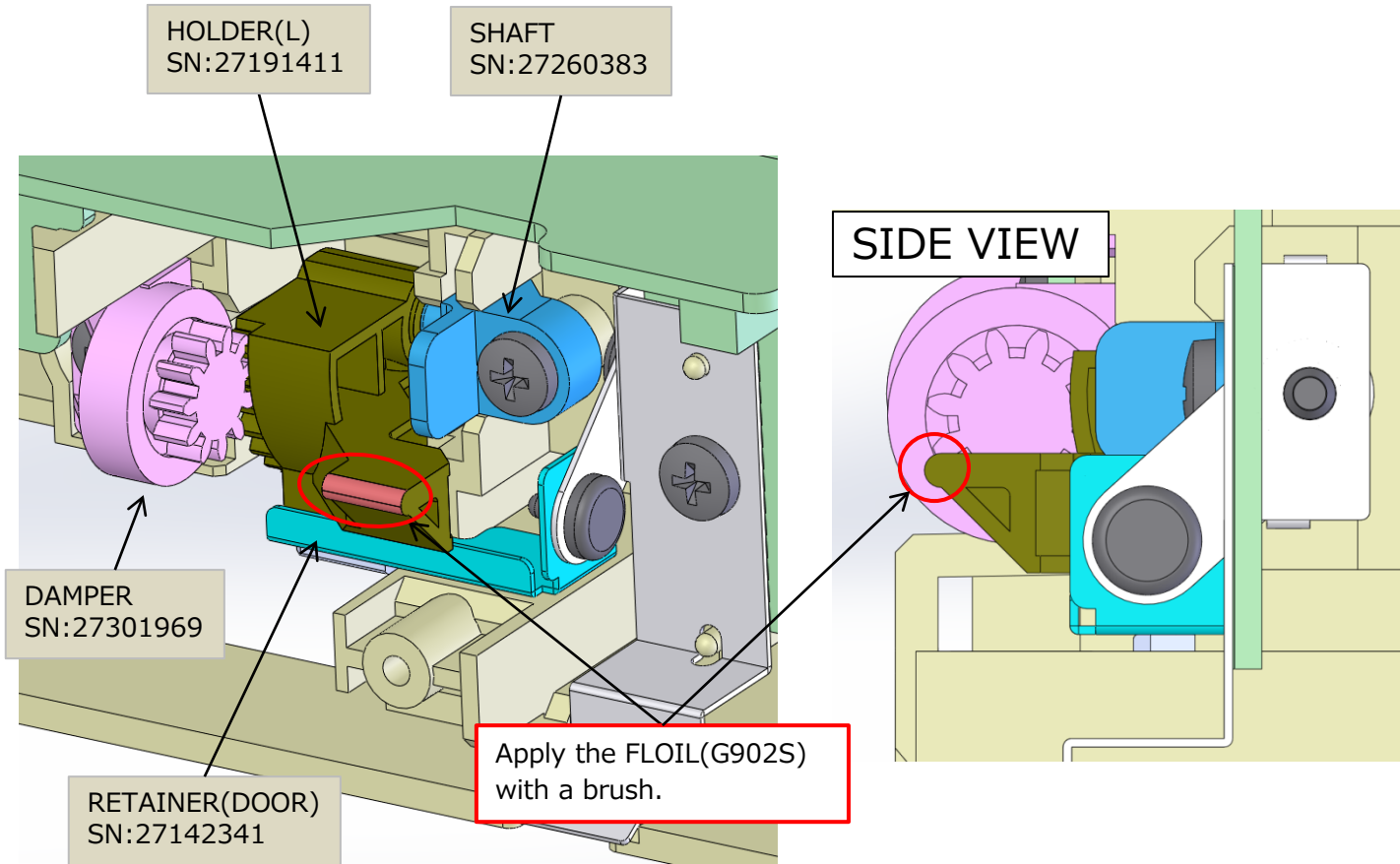






NOTE (Front Section 2)

Exploded View



TX-RZ800(B)MDC

<Note>

Parts marked by "NSP" are generally unavailable because they are not in our Master Spare Parts List.

NOTE : THE COMPONENTS IDENTIFIED BY THE MARK ! ARE CRITICAL FOR RISK OF FIRE AND ELECTRIC SHOCK. REPLACE ONLY WITH PART

<Notes>

(B) : Black color model

<MDC> : 120V

Canadian/USA/(Mexico) model

: NSP

TX-RZ800(B)MDC

EXPLODED VIEW PARTS LIST

REF. NO.	PART NAME	DESCRIPTION	Q'TY	PART NO. (SN)	REMARKS
[SEMI CONDUCTOR]					
D6925	DIODE	LN25XB60	1	22380345	
Q6050	TRANSISTOR	TTC0001(Q_T)TO3PN	1	2204130	
Q6051	TRANSISTOR	TTC0001(Q_T)TO3PN	1	2204130	
Q6052	TRANSISTOR	TTC0001(Q_T)TO3PN	1	2204130	
Q6053	TRANSISTOR	TTC0001(Q_T)TO3PN	1	2204130	
Q6054	TRANSISTOR	TTC0001(Q_T)TO3PN	1	2204130	
Q6055	TRANSISTOR	TTC0001(Q_T)TO3PN	1	2204130	
Q6056	TRANSISTOR	TTC0001(Q_T)TO3PN	1	2204130	
Q6060	TRANSISTOR	TTA0001(Q_T)TO3PN	1	2204120	
Q6061	TRANSISTOR	TTA0001(Q_T)TO3PN	1	2204120	
Q6062	TRANSISTOR	TTA0001(Q_T)TO3PN	1	2204120	
Q6063	TRANSISTOR	TTA0001(Q_T)TO3PN	1	2204120	
Q6064	TRANSISTOR	TTA0001(Q_T)TO3PN	1	2204120	
Q6065	TRANSISTOR	TTA0001(Q_T)TO3PN	1	2204120	
Q6066	TRANSISTOR	TTA0001(Q_T)TO3PN	1	2204120	
[CHASSIS SCREW]					
A103	BOTTOM LEG	(FRONT)	2	27175477A	N
A105	BOTTOM LEG	(REAR)	2	27175478A	N
A107	CUSHION	(CORK)D25 x 9 x T2	4	28141968	N
A143	PLATE	(FAN)	1	27262850C	
A221	LABEL	(PT)ONK	1	29392650	
A251	REAR PANEL	TXRZ800DC	1	27124675	N
A253	LABEL	(SP)	1	29392874	
A255	LABEL	(SP2)	1	29392875	
A301A	LABEL	(E-CON)	{ 1 }	29364978	
[CABINET]					
A401	FRONT BRACKET	(B)	1	27111630D	N
A412	BACK PLATE		1	28133428	
A413	PLATE	(DOOR)(B)	1	27262928A	N
A421	KNOB	(CUR)AS BLACK	1	28326994C	
A422	KNOB	(ENTER) BLK	1	28326990	
A423	KNOB	(5)(B)	2	28327225	N
A426	PLATE	(VOL)	1	27262931A	N
A431	CLEAR PLATE		1	28192456	N
A440	KNOB	(PURE)	1	28327208	N
A442	KNOB	(STBY)(B)	1	28327234	
A442 or	KNOB	(STBY)(B)	(1)	28326904	
A443	KNOB	(1)(B)	2	28327209	N
A444	FACET		1	28198905	
A445	BADGE		1	28135317	
A446	KNOB	(INP-C)(B)	1	28327213B	N
A447	KNOB	(INP-L)(B)	1	28327215A	N
A448	KNOB	(INP-R)(B)	1	28327216A	N
A455	FRONT PANEL	TXRZ800(B)MD	1	27213784B	N
A461	DOOR	(B)	1	28148858	N
A470	PLASTIC RIVET	P3035B	2	880016	
A480	KNOB	(TONE)(B)AS	1	28327232	N
A481	KNOB	(TONE)(B)AS	1	28327232	N
A482	KNOB	(VOL)AS(B)	1	28327219	N
A701	COVER	(B)808 (Bent)	1	28210071	
A701	COVER	(B)808 (Not Bent)	1	28210071Z	
A731	LABEL	(CAUTION)	1	29392531	
[TRANS COIL]					
T901	POWER TRANSFORMER	NPT-1653D	1	2302125	!
[SW TRM]					
F6901	FUSE	15A-TUL-250V	1	252303GR	!
F6902	FUSE	15A-TUL-250V	1	252303GR	!

F9002	FUSE	12A-TUL-250V	1	252301GR	!
F9002 or	FUSE	12A-UL/T-314	(1)	252196GR	!
P061	FAN	ME92251V1-000U-A99	1	24502337	
P061 or	FAN	D09A-12PG13	(1)	24502328	
P062	FAN	ME92251V1-000U-A99	1	24502337	
P062 or	FAN	D09A-12PG13	(1)	24502328	
P2101	FLEXIBLE FLAT CABLE	NCFC5-401012	1	2045401012UL	
P2203	FLEXIBLE FLAT CABLE	NCFC5-151012	1	2045151012	
P2204	FLEXIBLE FLAT CABLE	NCFC7-070512	1	2047070512	
P4605	FLEXIBLE FLAT CABLE	NCFC7-091012	1	2047091012	
P7000	FLEXIBLE FLAT CABLE	NCFC5-111512	1	2045111512	
P7001	FLEXIBLE FLAT CABLE	NCFC5-131012	1	2045131012	
P7002	FLEXIBLE FLAT CABLE	NCFC5-274022	1	2045274022	
P7591	FLEXIBLE FLAT CABLE	NCFC5-150512	1	2045150512	
P8691	CORD ASSEMBLY	HDMI 0.65M	1	2010502A	
P900	AC INLET	R301X2PSn	1	25053358	!
[MECHANISM]					
A1409	INSTRUCTION SHEET	15AVR_DTSX_U12	1	29355946	
[TUNER UNIT]					
U001	PARENT PC BOARD AS	BAAMP-1779-1A * (Parent)	1	1B304579-1A	MDC
BAAMP-177	POWER AMP(FINAL) PC BOARD AS	BAAMP-1779-1A (Child)	1	1B3045779-1A-C	
BAPS-1780	POWER SUPPLY(RELAY) PC BOARD AS	BAPS-1780-1A (Child)	1	1B3045780-1A-C	
BAPS-1781	POWER SUPPLY(PRI) PC BOARD AS	BAPS-1781-1A (Child)	1	1B3045781-1A-C	
BAETC-1782	CONNENCTOR(VD-ASP) PC BOARD AS	BAETC-1782-1A (Child)	1	1B3045782-1A-C	
BAETC-1783	THERMAL SENSOR PC BOARD AS	BAETC-1783-1A (Child)	1	1B3045783-1A-C	
U002	PARENT PC BOARD AS	BAAF-1785-1H * (Parent)	1	1B304585-1H	MDC
BAAF-1785	AMP/ ASP PC BOARD AS	BAAF-1785-1H (Child)	1	1B3045785-1H-C	
U003	PARENT PC BOARD AS	BACLA-1787-1A * (Parent)	1	1B304587-1A	MDC
BACLA-1787	AMP(VOLTAGE DRIVER L) PC BOARD AS	BACLA-1787-1A (Child)	1	1B3045787-1A-C	
BACLA-1788	AMP(VOLTAGE DRIVER R) PC BOARD AS	BACLA-1788-1A (Child)	1	1B3045788-1A-C	
BACLA-1789	AMP(VOLTAGE DRIVER C) PC BOARD AS	BACLA-1789-1A (Child)	1	1B3045789-1A-C	
BACLA-1790	AMP(VOLTAGE DRIVER SL) PC BOARD AS	BACLA-1790-1A (Child)	1	1B3045790-1A-C	
BACLA-1791	AMP(VOLTAGE DRIVER SR) PC BOARD AS	BACLA-1791-1A (Child)	1	1B3045791-1A-C	
BACLA-1792	AMP(VOLTAGE DRIVER SBL) PC BOARD AS	BACLA-1792-1A (Child)	1	1B3045792-1A-C	
BACLA-1793	AMP(VOLTAGE DRIVER SBR) PC BOARD AS	BACLA-1793-1A (Child)	1	1B3045793-1A-C	
BAPS-1794	POWER SUPPLY(FL) PC BOARD AS	BAPS-1794-1A (Child)	1	1B3045794-1A-C	
BAETC-1795	CONNECTOR(DG-ETC) PC BOARD AS	BAETC-1795-1A (Child)	1	1B3045795-1A-C	
U004	PARENT PC BOARD AS	BAASP-1797-1A * (Parent)	1	1B304597-1A	MDC
BAASP-1797	AUDIO PC BOARD AS	BAASP-1797-1A (Child)	1	1B3045797-1A-C	
BAVD-1798	VIDEO PC BOARD AS	BAVD-1798-1A (Child)	1	1B3045798-1A-C	
U005	PARENT PC BOARD AS	BADG-1800-1A * (Parent)	1	1B304500-1A	MDC
BADG-1800	DIGITAL(DIR/ DAC) PC BOARD AS	BADG-1800-1A (Child)	1	1B3045800-1A-C	
U006	PARENT PC BOARD AS	BADIS-1810-1A * (Parent)	1	1B304510-1A	MDC
BADIS-1810	DISPLAY PC BOARD AS	BADIS-1810-1A (Child)	1	1B3045810-1A-C	
BASW-1811	SWITCH/ LED PC BOARD AS	BASW-1811-1A (Child)	1	1B3045811-1A-C	
BASW-1812	SWITCH PC BOARD AS	BASW-1812-1A (Child)	1	1B3045812-1A-C	
BAETC-1813	VOLUME PC BOARD AS	BAETC-1813-1A (Child)	1	1B3045813-1A-C	
BAETC-1814	MIC PC BOARD AS	BAETC-1814-1A (Child)	1	1B3045814-1A-C	
BAETC-1828	PHONE JACK PC BOARD AS	BAETC-1828-1A (Child)	1	1B3045828-1A-C	
BARF-1829	TUNER PC BOARD AS	BARF-1829-1A (Child)	1	1B3045829-1A-C	
BAETC-1830	HOLDER(ETC-1828) PC BOARD AS	BAETC-1830-1A (Child)	1	1B3045830-1A-C	
U007	PARENT PC BOARD AS	BAPRC-1802-1A * (Parent)	1	1B304502-1A	MDC
BAPRC-1802	PROCESSOR PC BOARD AS	BAPRC-1802-1A (Child)	1	1B3045802-1A-C	
U008	PARENT PC BOARD AS	BAHDM-1825-1A * (Parent)	1	1B304525-1A	MDC
BAHDM-1825	TERMINAL(FRONT HDMI) PC BOARD AS	BAHDM-1825-1A (Child)	1	1B3045825-1A-C	
BARF-1826	Wi-Fi/BT CONECTOR PC BOARD AS	BARF-1826-1A (Child)	1	1B3045826-1A-C	
U012	WIFI BT COMB MODULE	WCBN4601L-O1(wANT_OUT)	1	24850702	
	U012 = U012A + U012B + U012C + U012D(2pcs)				
U012A	ASSEMBLED PWB	WCBN4601L-O1	1	24150122	
U012B	WIFI BT ANTENA	AN-241NIPK06_L	1	2050093	
U012C	WIFI BT ANTENA	AN-241NIPK06_R	1	2050094	
U012D	HOLDER	HOLDER(ANT)	2	27191377	

TX-RZ800(B)MDC

PACKING PROCEDURES PARTS LIST

REF. NO.	PART NAME	DESCRIPTION	Q'TY	PART NO. (SN)	REMARKS
[PACKING]					
A801	PAD	(AS)800	1	29092723A	N
A801A	PAD	(F)800	{ 1}	29092724A	N
A801B	PAD	(R)800	{ 1}	29092725A	N
A803	SHEET	T1.015 x 1300 x 800	1	29096134	
A805	TAPE	(SEROHAN)NITTO NO.29	1	29110149	
A808	CUSHION	(EVA)20 x 40 x T7.5	2	28141973	N
A831	CARTON	TXRZ800(X)DC	1	29055576	N
A841	SHEET	(ACC)	1	29096104	
A851	POLYPROPYLENE TAPE	W50 SBT-70	1	29110200	
A852	LABEL	(DTSX)	1	29392958	
A951A	UPC LABEL	TXRZ800(B)MDC	{ 1}	29392850	N
[ACCESSARY]					
A1001	POLY BAG	w250xd350	1	29100250A	
A1003	TAPE	(SEROHAN)NITTO NO.29	1	29110149	
A1009	WARRANTY CARD	(ONKYO)	1	29365156	
A1301	INSTRUCTION MANUAL	SAFETY_U4(EnFrEsCt)	1	29401783	
A1311	INSTRUCTION MANUAL	BAS_En(TXRZ800/900)	1	29402034	N
A1317	INSTRUCTION MANUAL	BAS_FrEs(TXRZ800/900)	1	29402035	N
A1501	BATTERY	R6/AA(UM-3)	2	3010194	
A1501 or	BATTERY	R6/AA(UM-3)	(2)	3010054	
A1503	MIC	MIC-5011	1	245047	
A1505	ANTENNA COIL	AM LOOP-ANTENNA	1	232207	
A1507	FM ANT AS	Type W	1	292191	
A1509	REMOTE CONTROL TRANSMITTER	RC-900M	1	24140900	N
A921	SHEET	(FLYER-US AVR 2015)	1	29380164	
P2001	POWER SUPPLY CORD	AS-UC-2	1	253352ATES	!

PC BOARD PARTS LIST

TX-RZ800(B)MDC

U001

BAAMP-1779-1A

: NSP

CIRCUIT NO	PART NAME	DESCRIPTION	Q'TY	PART NO. (SN)	REMARKS
[SEMI CONDUCTOR]					
D6000	CHIP TYPE DIODE	DA2J10100	1	223303R2	
D6000 or	CHIP TYPE DIODE	1SS352	(1)	223234R2	
D6001	CHIP TYPE DIODE	DA2J10100	1	223303R2	
D6001 or	CHIP TYPE DIODE	1SS352	(1)	223234R2	
D6002	CHIP TYPE DIODE	DA2J10100	1	223303R2	
D6002 or	CHIP TYPE DIODE	1SS352	(1)	223234R2	
D6003	CHIP TYPE DIODE	DA2J10100	1	223303R2	
D6003 or	CHIP TYPE DIODE	1SS352	(1)	223234R2	
D6004	CHIP TYPE DIODE	DA2J10100	1	223303R2	
D6004 or	CHIP TYPE DIODE	1SS352	(1)	223234R2	
D6005	CHIP TYPE DIODE	DA2J10100	1	223303R2	
D6005 or	CHIP TYPE DIODE	1SS352	(1)	223234R2	
D6006	CHIP TYPE DIODE	DA2J10100	1	223303R2	
D6006 or	CHIP TYPE DIODE	1SS352	(1)	223234R2	
D6010	CHIP TYPE DIODE	DA2J10100	1	223303R2	
D6010 or	CHIP TYPE DIODE	1SS352	(1)	223234R2	
D6011	CHIP TYPE DIODE	DA2J10100	1	223303R2	
D6011 or	CHIP TYPE DIODE	1SS352	(1)	223234R2	
D6012	CHIP TYPE DIODE	DA2J10100	1	223303R2	
D6012 or	CHIP TYPE DIODE	1SS352	(1)	223234R2	
D6013	CHIP TYPE DIODE	DA2J10100	1	223303R2	
D6013 or	CHIP TYPE DIODE	1SS352	(1)	223234R2	
D6014	CHIP TYPE DIODE	DA2J10100	1	223303R2	
D6014 or	CHIP TYPE DIODE	1SS352	(1)	223234R2	
D6015	CHIP TYPE DIODE	DA2J10100	1	223303R2	
D6015 or	CHIP TYPE DIODE	1SS352	(1)	223234R2	
D6016	CHIP TYPE DIODE	DA2J10100	1	223303R2	
D6016 or	CHIP TYPE DIODE	1SS352	(1)	223234R2	
D6020	CHIP TYPE DIODE	DA2J10100	1	223303R2	
D6020 or	CHIP TYPE DIODE	1SS352	(1)	223234R2	
D6021	CHIP TYPE DIODE	DA2J10100	1	223303R2	
D6021 or	CHIP TYPE DIODE	1SS352	(1)	223234R2	
D6022	CHIP TYPE DIODE	DA2J10100	1	223303R2	
D6022 or	CHIP TYPE DIODE	1SS352	(1)	223234R2	
D6023	CHIP TYPE DIODE	DA2J10100	1	223303R2	
D6023 or	CHIP TYPE DIODE	1SS352	(1)	223234R2	
D6024	CHIP TYPE DIODE	DA2J10100	1	223303R2	
D6024 or	CHIP TYPE DIODE	1SS352	(1)	223234R2	
D6025	CHIP TYPE DIODE	DA2J10100	1	223303R2	
D6025 or	CHIP TYPE DIODE	1SS352	(1)	223234R2	
D6026	CHIP TYPE DIODE	DA2J10100	1	223303R2	
D6026 or	CHIP TYPE DIODE	1SS352	(1)	223234R2	
D6908	CHIP TYPE DIODE	DA2J10100	1	223303R2	
D6908 or	CHIP TYPE DIODE	1SS352	(1)	223234R2	
D9001	DIODE	S1WB(A)60B-7062	1	22380377R2	
D9002	SPECIFIED DIODE	P6SMB200A-M3/52T	1	225505R2	
D9003	DIODE	US1K-E3/61T	1	22380376R2	
D9004	DIODE	RF301BM2STL	1	22380388R2	
D9004 or	DIODE	RF301B2STL	(1)	22380374R2	
D9006	DIODE	M1FL20U	1	223276R2	
D9008	DIODE	RB050M-30GTR	1	22380373R2	
D9011	CHIP TYPE DIODE	DA2J10100	1	223303R2	
D9011 or	CHIP TYPE DIODE	1SS352	(1)	223234R2	
D9012	ZENER DIODE	DZ2J360M0L	1	224763600R2	
D9012 or	ZENER DIODE	UDZS36B	(1)	224553600R2	
D9013	SPECIFIED DIODE	P6SMB20A-M3/52	1	225515R2	
D9018	ZENER DIODE	DZ2J200M0L	1	224762000R2	
D9018 or	ZENER DIODE	UDZS20B	(1)	224552000R2	
D9028	CHIP TYPE DIODE	DA2J10100	1	223303R2	
D9028 or	CHIP TYPE DIODE	1SS352	(1)	223234R2	
Q6000	TRANSISTOR	2SC2412K-R	1	2214653R2	
Q6001	TRANSISTOR	2SC2412K-R	1	2214653R2	
Q6002	TRANSISTOR	2SC2412K-R	1	2214653R2	
Q6003	TRANSISTOR	2SC2412K-R	1	2214653R2	

Q6004	TRANSISTOR	2SC2412K-R	1	2214653R2	
Q6005	TRANSISTOR	2SC2412K-R	1	2214653R2	
Q6006	TRANSISTOR	2SC2412K-R	1	2214653R2	
Q6090	TRANSISTOR	2SC2713-BL	1	2213136R2	
Q6091	TRANSISTOR	2SC2713-BL	1	2213136R2	
Q6092	TRANSISTOR	2SC2713-BL	1	2213136R2	
Q6093	TRANSISTOR	2SC2713-BL	1	2213136R2	
Q6094	TRANSISTOR	2SC2713-BL	1	2213136R2	
Q6095	TRANSISTOR	2SC2713-BL	1	2213136R2	
Q6096	TRANSISTOR	2SC2713-BL	1	2213136R2	
Q6902	TRANSISTOR	2SC2712-GR	1	2213145R2	
Q6980	HYBRID IC	LM61CIZ	1	22242212	
Q6980A	RETAINER	(PTH)	1	27141884-1	
Q9001	HYBRID IC	STR-A6051M	1	222154	
Q9003	HYBRID IC	EL816MX	1	22242845	
Q9003 or	HYBRID IC	PC123X8YFZ0F	(1)	22242771	
Q9004	HYBRID IC	KIA431A-AT/P	1	22242770T	
Q9005	TRANSISTOR	KRC102S	1	2216190R2	
Q9005 or	TRANSISTOR	RN1402	(1)	2214470R2	
Q9006	TRANSISTOR	2SC2712-GR	1	2213145R2	
Q9032	TRANSISTOR	KRC102S	1	2216190R2	
Q9032 or	TRANSISTOR	RN1402	(1)	2214470R2	
Q9033	TRANSISTOR	KRA102S	1	2216220R2	
Q9033 or	TRANSISTOR	RN2402	(1)	2214530R2	
[TRANS COIL]					
L6800	SPEAKER OUTPUT FILTER COIL	SC-0.8X5.5X18.5T	1	231431S	
L6800 or	SPEAKER OUTPUT FILTER COIL	SC2-0.8X5.5X18.5T	(1)	231455S	
L6801	SPEAKER OUTPUT FILTER COIL	SC-0.8X5.5X18.5T	1	231431S	
L6801 or	SPEAKER OUTPUT FILTER COIL	SC2-0.8X5.5X18.5T	(1)	231455S	
L6802	SPEAKER OUTPUT FILTER COIL	SC-0.8X5.5X18.5T	1	231431S	
L6802 or	SPEAKER OUTPUT FILTER COIL	SC2-0.8X5.5X18.5T	(1)	231455S	
L6803	SPEAKER OUTPUT FILTER COIL	SC-0.8X5.5X18.5T	1	231431S	
L6803 or	SPEAKER OUTPUT FILTER COIL	SC2-0.8X5.5X18.5T	(1)	231455S	
L6804	SPEAKER OUTPUT FILTER COIL	SC-0.8X5.5X18.5T	1	231431S	
L6804 or	SPEAKER OUTPUT FILTER COIL	SC2-0.8X5.5X18.5T	(1)	231455S	
L6805	SPEAKER OUTPUT FILTER COIL	SC-0.8X5.5X18.5T	1	231431S	
L6805 or	SPEAKER OUTPUT FILTER COIL	SC2-0.8X5.5X18.5T	(1)	231455S	
L6806	SPEAKER OUTPUT FILTER COIL	SC-0.8X5.5X18.5T	1	231431S	
L6806 or	SPEAKER OUTPUT FILTER COIL	SC2-0.8X5.5X18.5T	(1)	231455S	
L9001	CHOKE COIL	EM-UT2014-0033	1	231474	
L9002	CHOKE COIL	RCR1010NP-100M	1	231449M100	
L9004	CORE	BLM18PG181SN1D	1	2350005R1	
L9005	CORE	BLM18PG181SN1D	1	2350005R1	
T9001	POWER TRANSFORMER	NPT-1632S	1	2302076	!
T9001 or	POWER TRANSFORMER	NPT-1633S	(1)	2302077	!
[CAPACITOR]					
C4580	CHIP TYPE CERAMIC CAPACITOR	CK725B1C-104K1	1	332121045R1	
C6100	TF TYPE PLASTIC FILM CAPACITOR	ECQ-V50V-224J	1	374722244T	
C6100 or	FILM C	C281H224J20A21A	(1)	376822244T	
C6101	TF TYPE PLASTIC FILM CAPACITOR	ECQ-V50V-224J	1	374722244T	
C6101 or	FILM C	C281H224J20A21A	(1)	376822244T	
C6102	TF TYPE PLASTIC FILM CAPACITOR	ECQ-V50V-224J	1	374722244T	
C6102 or	FILM C	C281H224J20A21A	(1)	376822244T	
C6103	TF TYPE PLASTIC FILM CAPACITOR	ECQ-V50V-224J	1	374722244T	
C6103 or	FILM C	C281H224J20A21A	(1)	376822244T	
C6104	TF TYPE PLASTIC FILM CAPACITOR	ECQ-V50V-224J	1	374722244T	
C6104 or	FILM C	C281H224J20A21A	(1)	376822244T	
C6105	TF TYPE PLASTIC FILM CAPACITOR	ECQ-V50V-224J	1	374722244T	
C6105 or	FILM C	C281H224J20A21A	(1)	376822244T	
C6106	TF TYPE PLASTIC FILM CAPACITOR	ECQ-V50V-224J	1	374722244T	
C6106 or	FILM C	C281H224J20A21A	(1)	376822244T	
C6110	TF TYPE PLASTIC FILM CAPACITOR	ECQ-V50V-473J	1	374724734T	
C6111	TF TYPE PLASTIC FILM CAPACITOR	ECQ-V50V-473J	1	374724734T	
C6112	TF TYPE PLASTIC FILM CAPACITOR	ECQ-V50V-473J	1	374724734T	
C6113	TF TYPE PLASTIC FILM CAPACITOR	ECQ-V50V-473J	1	374724734T	
C6114	TF TYPE PLASTIC FILM CAPACITOR	ECQ-V50V-473J	1	374724734T	
C6115	TF TYPE PLASTIC FILM CAPACITOR	ECQ-V50V-473J	1	374724734T	
C6116	TF TYPE PLASTIC FILM CAPACITOR	ECQ-V50V-473J	1	374724734T	
C6917	TF TYPE PLASTIC FILM CAPACITOR	ECQ-V50V-104J	1	374721044T	
C6917 or	FILM C	C281H104J20A21A	(1)	376821044T	
C9001	IS TYPE CAPACITOR	LE104-MX-C3.5	1	3800049S	!

C9002	ELECTROLYTIC CAPACITOR	CE04W200V-100M(KXJ)	1	3500233S	
C9003	PW TYPE ELECTROLYTIC CAPACITOR	CE04W50V-10M(PW)	1	393781007T	
C9004	PW TYPE ELECTROLYTIC CAPACITOR	CE04W25V-1000M(PW)	1	393751027S	
C9006	PW TYPE ELECTROLYTIC CAPACITOR	CE04W25V-470M(PW)	1	393754717T	
C9009	CHIP TYPE CERAMIC CAPACITOR	GRM31A7U3D220JW31D	1	3300071R1	
C9010	IS TYPE CAPACITOR	DE1E3KX102MB4BL01	1	3300066S	!
C9011	CHIP TYPE CERAMIC CAPACITOR	CK725B1C-104K1	1	332121045R1	
C9012	IS TYPE CAPACITOR	LE103-C3.5	1	3800042S	!
C9013	UTSP TYPE ELECTROLYTIC CAPACITOR	CE04W25V-220M(UTSP)	1	397552217T	
C9014	CHIP TYPE CERAMIC CAPACITOR	CK725B1H-103K1	1	332101035R1	
C9015	CHIP TYPE CERAMIC CAPACITOR	CK725B1H-104K1	1	332101045R1	
C9016	CHIP TYPE CERAMIC CAPACITOR	CK725B1H-332K1	1	332103325R1	
C9018	IS TYPE CAPACITOR	LE104-MX-C3.5	1	3800049S	!
C9019	IS TYPE CAPACITOR	DE1E3KX102MB4BL01	1	3300066S	!
C9020	IS TYPE CAPACITOR	DE1E3KX102MB4BL01	1	3300066S	!
C9023	CHIP TYPE CERAMIC CAPACITOR	CK725B1H-104K1	1	332101045R1	
C9024	CHIP TYPE CERAMIC CAPACITOR	CK725B1H-104K1	1	332101045R1	
C9026	CHIP TYPE CERAMIC CAPACITOR	CK725B1H-104K1	1	332101045R1	
[RESISTOR]					
R6400	METAL PLATE RESISTOR	MPR5W+5W 0R22	1	4000233S	
R6401	METAL PLATE RESISTOR	MPR5W+5W 0R22	1	4000233S	
R6402	METAL PLATE RESISTOR	MPR5W+5W 0R22	1	4000233S	
R6403	METAL PLATE RESISTOR	MPR5W+5W 0R22	1	4000233S	
R6404	METAL PLATE RESISTOR	MPR5W+5W 0R22	1	4000233S	
R6405	METAL PLATE RESISTOR	MPR5W+5W 0R22	1	4000233S	
R6406	METAL PLATE RESISTOR	MPR5W+5W 0R22	1	4000233S	
R6410	CHIP TYPE CARBON RESISTOR	RN72K1J-223JE	1	435032234R1	
R6411	CHIP TYPE CARBON RESISTOR	RN72K1J-223JE	1	435032234R1	
R6430	CHIP TYPE CARBON RESISTOR	RN72K1J-223JE	1	435032234R1	
R6431	CHIP TYPE CARBON RESISTOR	RN72K1J-223JE	1	435032234R1	
R6460	CHIP TYPE CARBON RESISTOR	RN72K1J-000JE	1	435030004R1	
R6461	CHIP TYPE CARBON RESISTOR	RN72K1J-000JE	1	435030004R1	
R6462	CHIP TYPE CARBON RESISTOR	RN72K1J-223JE	1	435032234R1	
R6463	CHIP TYPE CARBON RESISTOR	RN72K1J-223JE	1	435032234R1	
R6464	CHIP TYPE CARBON RESISTOR	RN72K1J-223JE	1	435032234R1	
R6465	CHIP TYPE CARBON RESISTOR	RN72K1J-223JE	1	435032234R1	
R6466	CHIP TYPE CARBON RESISTOR	RN72K1J-223JE	1	435032234R1	
R6470	CHIP TYPE CARBON RESISTOR	RN72K1J-000JE	1	435030004R1	
R6471	CHIP TYPE CARBON RESISTOR	RN72K1J-000JE	1	435030004R1	
R6472	CHIP TYPE CARBON RESISTOR	RN72K1J-223JE	1	435032234R1	
R6473	CHIP TYPE CARBON RESISTOR	RN72K1J-223JE	1	435032234R1	
R6474	CHIP TYPE CARBON RESISTOR	RN72K1J-223JE	1	435032234R1	
R6475	CHIP TYPE CARBON RESISTOR	RN72K1J-223JE	1	435032234R1	
R6476	CHIP TYPE CARBON RESISTOR	RN72K1J-223JE	1	435032234R1	
R6480	CHIP TYPE CARBON RESISTOR	RN72K1J-222JE	1	435032224R1	
R6481	CHIP TYPE CARBON RESISTOR	RN72K1J-222JE	1	435032224R1	
R6482	CHIP TYPE CARBON RESISTOR	RN72K1J-222JE	1	435032224R1	
R6483	CHIP TYPE CARBON RESISTOR	RN72K1J-222JE	1	435032224R1	
R6484	CHIP TYPE CARBON RESISTOR	RN72K1J-222JE	1	435032224R1	
R6485	CHIP TYPE CARBON RESISTOR	RN72K1J-222JE	1	435032224R1	
R6486	CHIP TYPE CARBON RESISTOR	RN72K1J-222JE	1	435032224R1	
R6490	CHIP TYPE CARBON RESISTOR	RN72K1J-103JE	1	435031034R1	
R6491	CHIP TYPE CARBON RESISTOR	RN72K1J-103JE	1	435031034R1	
R6492	CHIP TYPE CARBON RESISTOR	RN72K1J-103JE	1	435031034R1	
R6493	CHIP TYPE CARBON RESISTOR	RN72K1J-103JE	1	435031034R1	
R6494	CHIP TYPE CARBON RESISTOR	RN72K1J-103JE	1	435031034R1	
R6495	CHIP TYPE CARBON RESISTOR	RN72K1J-103JE	1	435031034R1	
R6496	CHIP TYPE CARBON RESISTOR	RN72K1J-103JE	1	435031034R1	
R6500	CHIP TYPE CARBON RESISTOR	RN72K1J-274JE	1	435032744R1	
R6501	CHIP TYPE CARBON RESISTOR	RN72K1J-274JE	1	435032744R1	
R6502	CHIP TYPE CARBON RESISTOR	RN72K1J-274JE	1	435032744R1	
R6503	CHIP TYPE CARBON RESISTOR	RN72K1J-274JE	1	435032744R1	
R6504	CHIP TYPE CARBON RESISTOR	RN72K1J-274JE	1	435032744R1	
R6505	CHIP TYPE CARBON RESISTOR	RN72K1J-274JE	1	435032744R1	
R6506	CHIP TYPE CARBON RESISTOR	RN72K1J-274JE	1	435032744R1	
R6510	CHIP TYPE CARBON RESISTOR	RN72K2E-100JE	1	435221004R1	
R6511	CHIP TYPE CARBON RESISTOR	RN72K2E-100JE	1	435221004R1	
R6512	CHIP TYPE CARBON RESISTOR	RN72K2E-100JE	1	435221004R1	
R6513	CHIP TYPE CARBON RESISTOR	RN72K2E-100JE	1	435221004R1	
R6514	CHIP TYPE CARBON RESISTOR	RN72K2E-100JE	1	435221004R1	
R6515	CHIP TYPE CARBON RESISTOR	RN72K2E-100JE	1	435221004R1	

R6516	CHIP TYPE CARBON RESISTOR	RN72K2E-100JE	1	435221004R1
R6520	METAL RESISTOR	RNU1WCJ-8.2	1	453630824T
R6521	METAL RESISTOR	RNU1WCJ-8.2	1	453630824T
R6522	METAL RESISTOR	RNU1WCJ-8.2	1	453630824T
R6523	METAL RESISTOR	RNU1WCJ-8.2	1	453630824T
R6524	METAL RESISTOR	RNU1WCJ-8.2	1	453630824T
R6525	METAL RESISTOR	RNU1WCJ-8.2	1	453630824T
R6526	METAL RESISTOR	RNU1WCJ-8.2	1	453630824T
R6530	CHIP TYPE CARBON RESISTOR	RN72K1J-333JE	1	435033334R1
R6531	CHIP TYPE CARBON RESISTOR	RN72K1J-333JE	1	435033334R1
R6532	CHIP TYPE CARBON RESISTOR	RN72K1J-333JE	1	435033334R1
R6533	CHIP TYPE CARBON RESISTOR	RN72K1J-333JE	1	435033334R1
R6534	CHIP TYPE CARBON RESISTOR	RN72K1J-333JE	1	435033334R1
R6535	CHIP TYPE CARBON RESISTOR	RN72K1J-333JE	1	435033334R1
R6536	CHIP TYPE CARBON RESISTOR	RN72K1J-333JE	1	435033334R1
R6540	CHIP TYPE CARBON RESISTOR	RN72K1J-333JE	1	435033334R1
R6541	CHIP TYPE CARBON RESISTOR	RN72K1J-333JE	1	435033334R1
R6542	CHIP TYPE CARBON RESISTOR	RN72K1J-333JE	1	435033334R1
R6543	CHIP TYPE CARBON RESISTOR	RN72K1J-333JE	1	435033334R1
R6544	CHIP TYPE CARBON RESISTOR	RN72K1J-333JE	1	435033334R1
R6545	CHIP TYPE CARBON RESISTOR	RN72K1J-333JE	1	435033334R1
R6546	CHIP TYPE CARBON RESISTOR	RN72K1J-333JE	1	435033334R1
R6550	CHIP TYPE CARBON RESISTOR	RN72K1J-153JE	1	435031534R1
R6551	CHIP TYPE CARBON RESISTOR	RN72K1J-153JE	1	435031534R1
R6552	CHIP TYPE CARBON RESISTOR	RN72K1J-153JE	1	435031534R1
R6553	CHIP TYPE CARBON RESISTOR	RN72K1J-153JE	1	435031534R1
R6554	CHIP TYPE CARBON RESISTOR	RN72K1J-153JE	1	435031534R1
R6555	CHIP TYPE CARBON RESISTOR	RN72K1J-153JE	1	435031534R1
R6556	CHIP TYPE CARBON RESISTOR	RN72K1J-153JE	1	435031534R1
R6560	CHIP TYPE CARBON RESISTOR	RN72K1J-153JE	1	435031534R1
R6561	CHIP TYPE CARBON RESISTOR	RN72K1J-153JE	1	435031534R1
R6562	CHIP TYPE CARBON RESISTOR	RN72K1J-153JE	1	435031534R1
R6563	CHIP TYPE CARBON RESISTOR	RN72K1J-153JE	1	435031534R1
R6564	CHIP TYPE CARBON RESISTOR	RN72K1J-153JE	1	435031534R1
R6565	CHIP TYPE CARBON RESISTOR	RN72K1J-153JE	1	435031534R1
R6566	CHIP TYPE CARBON RESISTOR	RN72K1J-153JE	1	435031534R1
R6600	CHIP TYPE CARBON RESISTOR	RN72K1J-124JE	1	435031244R1
R6601	CHIP TYPE CARBON RESISTOR	RN72K1J-124JE	1	435031244R1
R6602	CHIP TYPE CARBON RESISTOR	RN72K1J-124JE	1	435031244R1
R6603	CHIP TYPE CARBON RESISTOR	RN72K1J-124JE	1	435031244R1
R6604	CHIP TYPE CARBON RESISTOR	RN72K1J-124JE	1	435031244R1
R6605	CHIP TYPE CARBON RESISTOR	RN72K1J-124JE	1	435031244R1
R6606	CHIP TYPE CARBON RESISTOR	RN72K1J-124JE	1	435031244R1
R6610	CHIP TYPE CARBON RESISTOR	RN72K1J-101JE	1	435031014R1
R6611	CHIP TYPE CARBON RESISTOR	RN72K1J-101JE	1	435031014R1
R6630	CHIP TYPE CARBON RESISTOR	RN72K1J-101JE	1	435031014R1
R6631	CHIP TYPE CARBON RESISTOR	RN72K1J-101JE	1	435031014R1
R6907	CHIP TYPE CARBON RESISTOR	RN72K1J-102JE	1	435031024R1
R6908	CHIP TYPE CARBON RESISTOR	RN72K1J-473JE	1	435034734R1
R7290	CHIP TYPE CARBON RESISTOR	RN72K1J-000JE	1	435030004R1
R7291	CHIP TYPE CARBON RESISTOR	RN72K1J-000JE	1	435030004R1
R9002	CHIP TYPE CARBON RESISTOR	RN72K1J-000JE	1	435030004R1
R9006	CHIP TYPE CARBON RESISTOR	RN72K1J-392JE	1	435033924R1
R9007	CHIP TYPE CARBON RESISTOR	RN72K1J-273FE	1	435032732R1
R9008	CHIP TYPE CARBON RESISTOR	RN72K1J-822JE	1	435038224R1
R9009	CHIP TYPE CARBON RESISTOR	RN72K1J-103JE	1	435031034R1
R9010	METAL OXIDE FILM RESISTOR	RS1/2WBJ-68	1	443526804T
R9011	NON-FLAMMABLE CARBON FILM RESISTOR	R25J-22	1	415472204T
R9014	METAL RESISTOR	RNU1WCJ-1	1	453630104T
R9017	CHIP TYPE CARBON RESISTOR	RN72K1J-332JE	1	435033324R1
R9018	CHIP TYPE CARBON RESISTOR	RN72K1J-182JE	1	435031824R1
R9022	CHIP TYPE CARBON RESISTOR	RN72K1J-152JE	1	435031524R1
R9023	CHIP TYPE CARBON RESISTOR	KTR18EZPF6803	1	435236842R1
R9024	CHIP TYPE CARBON RESISTOR	KTR18EZPF6803	1	435236842R1
R9025	CHIP TYPE CARBON RESISTOR	KTR18EZPF6803	1	435236842R1
R9038	METAL OXIDE FILM RESISTOR	RS1/2WBJ-47	1	443524704T
R9051	CHIP TYPE CARBON RESISTOR	RN72K1J-472JE	1	435034724R1
R9052	CHIP TYPE CARBON RESISTOR	RN72K1J-104JE	1	435031044R1
R9055	METAL OXIDE FILM RESISTOR	RS1/2WBJ-68	1	443526804T
R9057	CHIP TYPE CARBON RESISTOR	RN72K1J-332JE	1	435033324R1
R9058	CHIP TYPE CARBON RESISTOR	RN72K1J-332JE	1	435033324R1

[SW TRM]					
F6901C	FUSE HOLDER	SN5051	1	250113	!
F6901D	FUSE HOLDER	SN5051	1	250113	!
F6902C	FUSE HOLDER	SN5051	1	250113	!
F6902D	FUSE HOLDER	SN5051	1	250113	!
F9001	FUSE	T1A-SEUL-T250V	1	252397T	!
F9002A	FUSE HOLDER	SN5051	1	250113	!
F9002B	FUSE HOLDER	SN5051	1	250113	!
P2101B	PLUG	NPLG-11P0966	1	25056016	
P2791	RETAINER	(PTH)	1	27141884-1	
P2792	TRM-423(SCREW)	NEJITANSI ST3	1	25060495	
P2793	TRM-423(SCREW)	NEJITANSI ST3	1	25060495	
P4511B	SOCKET	IMSA-9142S-26A	1	25053235	
P4591B	PLUG	IMSA-9142B-26A	1	25056603	
P6030A	PLUG	IMSA-9115B-09	1	25056339	
P6031A	PLUG	IMSA-9115B-09	1	25056339	
P6032A	PLUG	IMSA-9115B-09	1	25056339	
P6033A	PLUG	IMSA-9115B-09	1	25056339	
P6034A	PLUG	IMSA-9115B-09	1	25056339	
P6035A	PLUG	IMSA-9115B-09	1	25056339	
P6036A	PLUG	IMSA-9115B-09	1	25056339	
P6050	PLUG	IMSA-9201B-1-06Z388-PT1	1	25056614	
P6051	PLUG	IMSA-9201B-1-06Z388-PT1	1	25056614	
P6052	PLUG	IMSA-9201B-1-06Z388-PT1	1	25056614	
P6053	PLUG	IMSA-9201B-1-06Z388-PT1	1	25056614	
P6054	PLUG	IMSA-9201B-1-06Z388-PT1	1	25056614	
P6055	PLUG	IMSA-9201B-1-06Z388-PT1	1	25056614	
P6056	PLUG	IMSA-9201B-1-06Z388-PT1	1	25056614	
P6060	PLUG	IMSA-9201B-1-06Z388-PT1	1	25056614	
P6061	PLUG	IMSA-9201B-1-06Z388-PT1	1	25056614	
P6062	PLUG	IMSA-9201B-1-06Z388-PT1	1	25056614	
P6063	PLUG	IMSA-9201B-1-06Z388-PT1	1	25056614	
P6064	PLUG	IMSA-9201B-1-06Z388-PT1	1	25056614	
P6065	PLUG	IMSA-9201B-1-06Z388-PT1	1	25056614	
P6066	PLUG	IMSA-9201B-1-06Z388-PT1	1	25056614	
P6090	PLUG	NPLG-2P645	1	25055689	
P6091	PLUG	NPLG-2P645	1	25055689	
P6092	PLUG	NPLG-2P645	1	25055689	
P6093	PLUG	NPLG-2P645	1	25055689	
P6094	PLUG	NPLG-2P645	1	25055689	
P6095	PLUG	NPLG-2P645	1	25055689	
P6096	PLUG	NPLG-2P645	1	25055689	
P6593	PLUG	NPLG-7P154	1	25055170	
P6600	WIRE HARNESS ASSEMBLY	NSAS-14P2326	1	2009991497UL	N
P6601A	PLUG	NPLG-3P150	1	25055166	
P6605B	TRM-423(SCREW)	NEJITANSI ST3	1	25060495	
P6902B	PLUG	NPLG-3P131	1	25055147	
P6913B	PLUG	NPLG-5P133	1	25055149	
P6940A	RETAINER	(BUS-5)	1	27142311	
P6940B	RETAINER	(BUS-5)	1	27142311	
P6940C	RETAINER	(BUS-5)	1	27142311	
P6940D	RETAINER	(BUS-5)	1	27142311	
P6941B	PLUG	NPLG-2P631	1	25055675	
P6942B	PLUG	NPLG-5P133	1	25055149	
P9001	WIRE HARNESS ASSEMBLY	NSAS-5P2113	1	2009991302UL	
P9001A	WIRE HOL	CHD-1.5-5	1	25053536	
P9001Aor	WIRE HOL	NSCT-5P876	(1)	25051089	
P9004	TRM(SCREW)	NEJITANSI M3	1	25065425	
P9005	PLUG	NPLG-2P631	1	25055675	
P9006	TRM(SCREW)	NEJITANSI M3	1	25065425	
P9011A	PLUG	NPLG-2P631	1	25055675	
RL6903	RELAY	NRL-1P10A-DC12-198	1	25065709	
RL6904	RELAY	NRL-1P10A-DC12-198	1	25065709	
RL9001	RELAY	NRL-1P10A-DC9-188	1	25065693	!
RL9002	RELAY	NRL-1P10A-DC9-188	1	25065693	!

CIRCUIT NO	PART NAME	DESCRIPTION	Q'TY	PART NO. (SN)	REMARKS
[SEMI CONDUCTOR]					
D6600	CHIP TYPE DIODE	DA2J10100	1	223303R2	
D6600 or	CHIP TYPE DIODE	1SS352	(1)	223234R2	
D6601	CHIP TYPE DIODE	DA2J10100	1	223303R2	
D6601 or	CHIP TYPE DIODE	1SS352	(1)	223234R2	
D6602	CHIP TYPE DIODE	DA2J10100	1	223303R2	
D6602 or	CHIP TYPE DIODE	1SS352	(1)	223234R2	
D6603	CHIP TYPE DIODE	DA2J10100	1	223303R2	
D6603 or	CHIP TYPE DIODE	1SS352	(1)	223234R2	
D6604	CHIP TYPE DIODE	DA2J10100	1	223303R2	
D6604 or	CHIP TYPE DIODE	1SS352	(1)	223234R2	
D6605	CHIP TYPE DIODE	DA2J10100	1	223303R2	
D6605 or	CHIP TYPE DIODE	1SS352	(1)	223234R2	
D6606	CHIP TYPE DIODE	DA2J10100	1	223303R2	
D6606 or	CHIP TYPE DIODE	1SS352	(1)	223234R2	
D6607	CHIP TYPE DIODE	DA2J10100	1	223303R2	
D6607 or	CHIP TYPE DIODE	1SS352	(1)	223234R2	
D6704	ZENER DIODE	DZ2J036M0L	1	224760360R2	
D6704 or	ZENER DIODE	UDZS3.6B	(1)	224550360R2	
D6901	CHIP TYPE DIODE	DA2J10100	1	223303R2	
D6901 or	CHIP TYPE DIODE	1SS352	(1)	223234R2	
D6902	CHIP TYPE DIODE	DA2J10100	1	223303R2	
D6902 or	CHIP TYPE DIODE	1SS352	(1)	223234R2	
D6903	ZENER DIODE	DZ2J036M0L	1	224760360R2	
D6903 or	ZENER DIODE	UDZS3.6B	(1)	224550360R2	
D6923	ZENER DIODE	DZ2J036M0L	1	224760360R2	
D6923 or	ZENER DIODE	UDZS3.6B	(1)	224550360R2	
D6924	CHIP TYPE DIODE	DA2J10100	1	223303R2	
D6924 or	CHIP TYPE DIODE	1SS352	(1)	223234R2	
D9203	CHIP TYPE DIODE	DA2J10100	1	223303R2	
D9203 or	CHIP TYPE DIODE	1SS352	(1)	223234R2	
D9204	CHIP TYPE DIODE	DA2J10100	1	223303R2	
D9204 or	CHIP TYPE DIODE	1SS352	(1)	223234R2	
D9205	DIODE	D3SBA60	1	22380272F	
Q6600	TRANSISTOR	KRC105S	1	2217290R2	
Q6600 or	TRANSISTOR	RN1405	(1)	2214500R2	
Q6600 or	TRANSISTOR	DTC123JKA	(1)	2216690R2	
Q6601	TRANSISTOR	KRC105S	1	2217290R2	
Q6601 or	TRANSISTOR	RN1405	(1)	2214500R2	
Q6601 or	TRANSISTOR	DTC123JKA	(1)	2216690R2	
Q6602	TRANSISTOR	KRC105S	1	2217290R2	
Q6602 or	TRANSISTOR	RN1405	(1)	2214500R2	
Q6602 or	TRANSISTOR	DTC123JKA	(1)	2216690R2	
Q6603	TRANSISTOR	KRC105S	1	2217290R2	
Q6603 or	TRANSISTOR	RN1405	(1)	2214500R2	
Q6603 or	TRANSISTOR	DTC123JKA	(1)	2216690R2	
Q6604	TRANSISTOR	KRC105S	1	2217290R2	
Q6604 or	TRANSISTOR	RN1405	(1)	2214500R2	
Q6604 or	TRANSISTOR	DTC123JKA	(1)	2216690R2	
Q6605	TRANSISTOR	KRC105S	1	2217290R2	
Q6605 or	TRANSISTOR	RN1405	(1)	2214500R2	
Q6605 or	TRANSISTOR	DTC123JKA	(1)	2216690R2	
Q6606	TRANSISTOR	KRC105S	1	2217290R2	
Q6903	TRANSISTOR	2SA1163-BL	1	2216756R2	
Q6904	TRANSISTOR	2SC2713-BL	1	2213136R2	
Q6910	TRANSISTOR	2SC2713-BL	1	2213136R2	
Q6913	TRANSISTOR	2SA1163-BL	1	2216756R2	
Q6952	TRANSISTOR	KTA1504-Y	1	2216184R2	
Q6953	TRANSISTOR	2SC3851-Y	1	2203384	
Q6953A	HEAT SINK	RAD-141	1	27160472	
Q6953B	SCREW	3P+6FN(3BC)	1	82143006GR	
Q6960	TRANSISTOR	2SC2712-GR	1	2213145R2	
Q6961	TRANSISTOR	2SC2713-BL	1	2213136R2	
Q9202	HYBRID IC	79M12HF(NJM79M12FA)	1	222790125JRC	
Q9203	HYBRID IC	78M12HF(NJM78M12FA)	1	222780125JRC	
Q9203A	HEAT SINK	(RAD-255)	1	27160647	
Q9203B	SCREW	3P+6FN(3BC)	2	82143006GR	
[CAPACITOR]					
C6600	UTSP TYPE ELECTROLYTIC CAPACITOR	CE04W50V-10M(UTSP)	1	397581007AT	
C6601	UTSP TYPE ELECTROLYTIC CAPACITOR	CE04W50V-10M(UTSP)	1	397581007AT	

C6602	CHIP TYPE CERAMIC CAPACITOR	CK725B1H-103K1	1	332101035R1	
C6603	CHIP TYPE CERAMIC CAPACITOR	CK725B1H-103K1	1	332101035R1	
C6604	CHIP TYPE CERAMIC CAPACITOR	CK725B1H-103K1	1	332101035R1	
C6605	CHIP TYPE CERAMIC CAPACITOR	CK725B1H-103K1	1	332101035R1	
C6606	CHIP TYPE CERAMIC CAPACITOR	CK725B1H-103K1	1	332101035R1	
C6607	CHIP TYPE CERAMIC CAPACITOR	CK725B1H-103K1	1	332101035R1	
C6640	UMXR TYPE PLASTIC FILM CAPACITOR	1JUMXRTF472JE	1	376594724T	N
C6641	UMXR TYPE PLASTIC FILM CAPACITOR	1JUMXRTF472JE	1	376594724T	N
C6642	UMXR TYPE PLASTIC FILM CAPACITOR	1JUMXRTF472JE	1	376594724T	N
C6643	UMXR TYPE PLASTIC FILM CAPACITOR	1JUMXRTF472JE	1	376594724T	N
C6644	UMXR TYPE PLASTIC FILM CAPACITOR	1JUMXRTF472JE	1	376594724T	N
C6645	UMXR TYPE PLASTIC FILM CAPACITOR	1JUMXRTF472JE	1	376594724T	N
C6646	UMXR TYPE PLASTIC FILM CAPACITOR	1JUMXRTF472JE	1	376594724T	N
C6647	UMXR TYPE PLASTIC FILM CAPACITOR	1JUMXRTF472JE	1	376594724T	N
C6648	UMXR TYPE PLASTIC FILM CAPACITOR	1JUMXRTF472JE	1	376594724T	N
C6650	UMXR TYPE PLASTIC FILM CAPACITOR	1JUMXRTF102JE	1	376591024T	
C6651	UMXR TYPE PLASTIC FILM CAPACITOR	1JUMXRTF102JE	1	376591024T	
C6652	UMXR TYPE PLASTIC FILM CAPACITOR	1JUMXRTF102JE	1	376591024T	
C6653	UMXR TYPE PLASTIC FILM CAPACITOR	1JUMXRTF102JE	1	376591024T	
C6654	UMXR TYPE PLASTIC FILM CAPACITOR	1JUMXRTF102JE	1	376591024T	
C6655	UMXR TYPE PLASTIC FILM CAPACITOR	1JUMXRTF102JE	1	376591024T	
C6656	UMXR TYPE PLASTIC FILM CAPACITOR	1JUMXRTF102JE	1	376591024T	
C6657	UMXR TYPE PLASTIC FILM CAPACITOR	1JUMXRTF102JE	1	376591024T	
C6658	UMXR TYPE PLASTIC FILM CAPACITOR	1JUMXRTF102JE	1	376591024T	
C6660	UMXR TYPE PLASTIC FILM CAPACITOR	1JUMXRTF102JE	1	376591024T	
C6661	UMXR TYPE PLASTIC FILM CAPACITOR	1JUMXRTF102JE	1	376591024T	
C6662	UMXR TYPE PLASTIC FILM CAPACITOR	1JUMXRTF472JE	1	376594724T	N
C6663	UMXR TYPE PLASTIC FILM CAPACITOR	1JUMXRTF472JE	1	376594724T	N
C6706	UTSP TYPE ELECTROLYTIC CAPACITOR	CE04W50V-10M(UTSP)	1	397581007AT	
C6901	ELECTROLYTIC CAPACITOR	CE69W71V-15000MM	1	3504511	
C6902	ELECTROLYTIC CAPACITOR	CE69W71V-15000MM	1	3504511	
C6903	CHIP TYPE CERAMIC CAPACITOR	CK725B1C-104K1	1	332121045R1	
C6904	UTSP TYPE ELECTROLYTIC CAPACITOR	CE04W50V-1M(UTSP)	1	397580107AT	
C6905	CHIP TYPE CERAMIC CAPACITOR	CK725B1C-104K1	1	332121045R1	
C6906	UTSP TYPE ELECTROLYTIC CAPACITOR	CE04W25V-220M(UTSP)	1	397552217T	
C6913	CHIP TYPE CERAMIC CAPACITOR	CK725B1H-103K1	1	332101035R1	
C6922	UTSP TYPE ELECTROLYTIC CAPACITOR	CE04W25V-220M(UTSP)	1	397552217T	
C6923	CHIP TYPE CERAMIC CAPACITOR	CK725B1A-105K1	1	332131055R1	
C6924	CHIP TYPE CERAMIC CAPACITOR	CC725CH1H-101J1	1	342101014R1	
C6930	TF TYPE PLASTIC FILM CAPACITOR	ECQ-V100V-334J	1	374733344T	
C6930 or	FILM C	C282A334J20A21A	(1)	376833344T	
C6931	TF TYPE PLASTIC FILM CAPACITOR	ECQ-V100V-334J	1	374733344T	
C6931 or	FILM C	C282A334J20A21A	(1)	376833344T	
C6971	CHIP TYPE CERAMIC CAPACITOR	CK725B1H-222K1	1	332102225R1	
C9200	JAMICON TYPE ELECTROLYTIC CAPACITOR	CE04W35V-3300M	1	398563327S	N
C9200 or	VR TYPE ELECTROLYTIC CAPACITOR	CE04W35V-3300M(VR)	(1)	394663327S	
C9201	JAMICON TYPE ELECTROLYTIC CAPACITOR	CE04W35V-3300M	1	398563327S	N
C9201 or	VR TYPE ELECTROLYTIC CAPACITOR	CE04W35V-3300M(VR)	(1)	394663327S	
C9204	UTSP TYPE ELECTROLYTIC CAPACITOR	CE04W50V-10M(UTSP)	1	397581007AT	
C9205	UTSP TYPE ELECTROLYTIC CAPACITOR	CE04W50V-10M(UTSP)	1	397581007AT	
C9206	TF TYPE PLASTIC FILM CAPACITOR	ECQ-V50V-334J	1	374723344T	
C9206 or	FILM C	C281H334J20A21A	(1)	376823344T	
C9207	TF TYPE PLASTIC FILM CAPACITOR	ECQ-V50V-334J	1	374723344T	
C9207 or	FILM C	C281H334J20A21A	(1)	376823344T	
[RESISTOR]					
R6600	METAL OXIDE FILM RESISTOR	RS1/2WBJ-47	1	443524704T	
R6601	METAL OXIDE FILM RESISTOR	RS1/2WBJ-47	1	443524704T	
R6602	METAL OXIDE FILM RESISTOR	RS1/2WBJ-47	1	443524704T	
R6603	METAL OXIDE FILM RESISTOR	RS1/2WBJ-47	1	443524704T	
R6604	METAL OXIDE FILM RESISTOR	RS1/2WBJ-47	1	443524704T	
R6605	METAL OXIDE FILM RESISTOR	RS1/2WBJ-47	1	443524704T	
R6606	METAL OXIDE FILM RESISTOR	RS1/2WBJ-47	1	443524704T	
R6607	METAL OXIDE FILM RESISTOR	RS1/2WBJ-47	1	443524704T	
R6905	CHIP TYPE CARBON RESISTOR	RN72K1J-000JE	1	435030004R1	
R6909	CHIP TYPE CARBON RESISTOR	RN72K1J-562JE	1	435035624R1	
R6910	CHIP TYPE CARBON RESISTOR	RN72K1J-472JE	1	435034724R1	
R6912	CHIP TYPE CARBON RESISTOR	RN72K1J-103JE	1	435031034R1	
R6913	CHIP TYPE CARBON RESISTOR	RN72K1J-223JE	1	435032234R1	
R6914	CHIP TYPE CARBON RESISTOR	RN72K1J-333JE	1	435033334R1	
R6916	CHIP TYPE CARBON RESISTOR	RN72K1J-223JE	1	435032234R1	
R6924	CHIP TYPE CARBON RESISTOR	RN72K1J-333JE	1	435033334R1	

R6925	CHIP TYPE CARBON RESISTOR	RN72K1J-223JE	1	435032234R1	
R6931	CHIP TYPE CARBON RESISTOR	RN72K2E-473JE	1	435224734R1	
R6932	CHIP TYPE CARBON RESISTOR	RN72K1J-103JE	1	435031034R1	
R6934	CHIP TYPE CARBON RESISTOR	RN72K1J-223JE	1	435032234R1	
R6935	CHIP TYPE CARBON RESISTOR	RN72K1J-333JE	1	435033334R1	
R6960	CHIP TYPE CARBON RESISTOR	RN72K1J-103JE	1	435031034R1	
R6961	CHIP TYPE CARBON RESISTOR	RN72K1J-103JE	1	435031034R1	
R6962	CHIP TYPE CARBON RESISTOR	RN72K1J-333JE	1	435033334R1	
R6963	CHIP TYPE CARBON RESISTOR	RN72K1J-103JE	1	435031034R1	
R6964	METAL RESISTOR	RNU1/2WCJ-1	1	453530104T	
R6968	CHIP TYPE CARBON RESISTOR	RN72K1J-223JE	1	435032234R1	
R6969	CHIP TYPE CARBON RESISTOR	RN72K1J-333JE	1	435033334R1	
R6970	CHIP TYPE CARBON RESISTOR	RN72K1J-222JE	1	435032224R1	
R6971	CHIP TYPE CARBON RESISTOR	RN72K1J-473JE	1	435034734R1	
R6972	CHIP TYPE CARBON RESISTOR	RN72K1J-224JE	1	435032244R1	
[SW TRM]					
F9200	METAL RESISTOR	RNU1WCJ-0.22	1	453632294T	
F9201	METAL RESISTOR	RNU1WCJ-0.22	1	453632294T	
P2203B	SOCKET	NSCT-15P2406	1	25052509	
P4604A	WIRE HARNESS ASSEMBLY	NSAS-26P2327	1	2009991498AUL	
P5010B	PLUG	NPLG-3P0958	1	25056008	
P5011B	PLUG	NPLG-3P0958	1	25056008	
P5012B	PLUG	NPLG-3P0958	1	25056008	
P5013B	PLUG	NPLG-3P0958	1	25056008	
P5014B	PLUG	NPLG-3P0958	1	25056008	
P5015B	PLUG	NPLG-3P0958	1	25056008	
P5016B	PLUG	NPLG-3P0958	1	25056008	
P5020B	RETAINER	(TRM)	1	25060507	
P5021B	RETAINER	(TRM)	1	25060507	
P5022B	RETAINER	(TRM)	1	25060507	
P5023B	RETAINER	(TRM)	1	25060507	
P5024B	RETAINER	(TRM)	1	25060507	
P5025B	RETAINER	(TRM)	1	25060507	
P5026B	RETAINER	(TRM)	1	25060507	
P6400	RETAINER	(BUS-D)	1	27142184	
P6600	PLUG	NPLG-7P163	1	25055179	
P6601	WIRE HARNESS ASSEMBLY	NSAS-6P2326	1	2009991500AUL	N
P6605A	PLUG	NPLG-5P119	1	25055135	
P6630	TERMINAL	NTM-2PDMCR400	1	25060472	
P6631	TERMINAL	NTM-2PDMCR400	1	25060472	
P6632	TERMINAL	NTM-2PDMCR400	1	25060472	
P6633	TERMINAL	NTM-2PDMCR400	1	25060472	
P6634	TERMINAL	NTM-2PDMCR400	1	25060472	
P6635	TERMINAL	NTM-4PDMNRR420	1	25060492	
P6637	TERMINAL	NTM-4PDMNRR420	1	25060492	
P6640	TERMINAL	NTM-4PDMNRR420	1	25060492	
P6902	WIRE HARNESS ASSEMBLY	NSAS-3P2095	1	2009991284UL	
P6902A	WIRE HOL	CHD-1.5-3	1	25053535	
P6902Aor	WIRE HOL	NSCT-3P874	(1)	25051087	
P6904	WIRE HARNESS ASSEMBLY	NSAS-18P2370	1	2009991507UL	N
P6913	WIRE HARNESS ASSEMBLY	NSAS-5P2109	1	2009991298UL	
P6913A	WIRE HOL	CHD-1.5-5	1	25053536	
P6913Aor	WIRE HOL	NSCT-5P876	(1)	25051089	
P6941	WIRE HARNESS ASSEMBLY	NSAS-4P2328	1	2009991499UL	N
P6942	WIRE HARNESS ASSEMBLY	NSAS-5P2109	1	2009991298UL	
P6942A	WIRE HOL	CHD-1.5-5	1	25053536	
P6942Aor	WIRE HOL	NSCT-5P876	(1)	25051089	
P6950A	PLUG	NPLG-2P83	1	25055099	
P6960A	PLUG	NPLG-2P83	1	25055099	
P7000A	SOCKET	NSCT-11P2402	1	25052505	
P9200	PLUG	NPLG-3P117	1	25055133	
P9201	WIRE HARNESS ASSEMBLY	NSAS-5P2109	1	2009991298UL	
P9201A	WIRE HOL	CHD-1.5-5	1	25053536	
P9201Aor	WIRE HOL	NSCT-5P876	(1)	25051089	
P9302	WIRE HARNESS ASSEMBLY	NSAS-5P2113	1	2009991302UL	
P9302A	WIRE HOL	CHD-1.5-5	1	25053536	
P9302Aor	WIRE HOL	NSCT-5P876	(1)	25051089	
RL6600	RELAY	NRL-2P3A-DC12-148	1	25065598A	
RL6601	RELAY	NRL-2P3A-DC12-148	1	25065598A	
RL6602	RELAY	NRL-2P3A-DC12-148	1	25065598A	
RL6603	RELAY	NRL-2P3A-DC12-148	1	25065598A	

RL6604	RELAY	NRL-2P3A-DC12-148	1	25065598A
RL6605	RELAY	NRL-2P3A-DC12-148	1	25065598A
RL6606	RELAY	NRL-2P3A-DC12-148	1	25065598A
RL6607	RELAY	NRL-2P3A-DC12-148	1	25065598A

U003 : BACLA-1787-1A : NSP

CIRCUIT NO	PART NAME	DESCRIPTION	Q'TY	PART NO. (SN)	REMARKS
[SEMI CONDUCTOR]					
D5000	ZENER DIODE	DZ2J056M0L	1	224760560R2	
D5000 or	ZENER DIODE	UDZS5.6B	(1)	224550560R2	
D5001	ZENER DIODE	DZ2J056M0L	1	224760560R2	
D5001 or	ZENER DIODE	UDZS5.6B	(1)	224550560R2	
D5002	ZENER DIODE	DZ2J056M0L	1	224760560R2	
D5002 or	ZENER DIODE	UDZS5.6B	(1)	224550560R2	
D5003	ZENER DIODE	DZ2J056M0L	1	224760560R2	
D5003 or	ZENER DIODE	UDZS5.6B	(1)	224550560R2	
D5004	ZENER DIODE	DZ2J056M0L	1	224760560R2	
D5004 or	ZENER DIODE	UDZS5.6B	(1)	224550560R2	
D5005	ZENER DIODE	DZ2J056M0L	1	224760560R2	
D5005 or	ZENER DIODE	UDZS5.6B	(1)	224550560R2	
D5006	ZENER DIODE	DZ2J056M0L	1	224760560R2	
D5006 or	ZENER DIODE	UDZS5.6B	(1)	224550560R2	
D9303	DIODE	RL1N4003	1	22380260T	
D9304	DIODE	RL1N4003	1	22380260T	
D9305	DIODE	RL1N4003	1	22380260T	
D9306	DIODE	RL1N4003	1	22380260T	
D9307	ZENER DIODE	DZ2J220M0L	1	224762200R2	
D9307 or	ZENER DIODE	UDZS22B	(1)	224552200R2	
D9308	ZENER DIODE	DZ2J220M0L	1	224762200R2	
D9308 or	ZENER DIODE	UDZS22B	(1)	224552200R2	
Q5000	TRANSISTOR	2SC2713-BL	1	2213136R2	
Q5001	TRANSISTOR	2SC2713-BL	1	2213136R2	
Q5002	TRANSISTOR	2SC2713-BL	1	2213136R2	
Q5003	TRANSISTOR	2SC2713-BL	1	2213136R2	
Q5004	TRANSISTOR	2SC2713-BL	1	2213136R2	
Q5005	TRANSISTOR	2SC2713-BL	1	2213136R2	
Q5006	TRANSISTOR	2SC2713-BL	1	2213136R2	
Q5010	TRANSISTOR	2SC2713-BL	1	2213136R2	
Q5011	TRANSISTOR	2SC2713-BL	1	2213136R2	
Q5012	TRANSISTOR	2SC2713-BL	1	2213136R2	
Q5013	TRANSISTOR	2SC2713-BL	1	2213136R2	
Q5014	TRANSISTOR	2SC2713-BL	1	2213136R2	
Q5015	TRANSISTOR	2SC2713-BL	1	2213136R2	
Q5016	TRANSISTOR	2SC2713-BL	1	2213136R2	
Q5020	TRANSISTOR	2SC2412K-R	1	2214653R2	
Q5021	TRANSISTOR	2SC2412K-R	1	2214653R2	
Q5022	TRANSISTOR	2SC2412K-R	1	2214653R2	
Q5023	TRANSISTOR	2SC2412K-R	1	2214653R2	
Q5024	TRANSISTOR	2SC2412K-R	1	2214653R2	
Q5025	TRANSISTOR	2SC2412K-R	1	2214653R2	
Q5026	TRANSISTOR	2SC2412K-R	1	2214653R2	
Q5030	TRANSISTOR	INA6006AP1-T111	1	2217980R2	
Q5031	TRANSISTOR	INA6006AP1-T111	1	2217980R2	
Q5032	TRANSISTOR	INA6006AP1-T111	1	2217980R2	
Q5033	TRANSISTOR	INA6006AP1-T111	1	2217980R2	
Q5034	TRANSISTOR	INA6006AP1-T111	1	2217980R2	
Q5035	TRANSISTOR	INA6006AP1-T111	1	2217980R2	
Q5036	TRANSISTOR	INA6006AP1-T111	1	2217980R2	
Q5040	TRANSISTOR	INA6006AP1-T111	1	2217980R2	
Q5041	TRANSISTOR	INA6006AP1-T111	1	2217980R2	
Q5042	TRANSISTOR	INA6006AP1-T111	1	2217980R2	
Q5043	TRANSISTOR	INA6006AP1-T111	1	2217980R2	
Q5044	TRANSISTOR	INA6006AP1-T111	1	2217980R2	
Q5045	TRANSISTOR	INA6006AP1-T111	1	2217980R2	
Q5046	TRANSISTOR	INA6006AP1-T111	1	2217980R2	
Q5050	TRANSISTOR	INA6006AP1-T111	1	2217980R2	
Q5051	TRANSISTOR	INA6006AP1-T111	1	2217980R2	

Q5052	TRANSISTOR	INA6006AP1-T111	1	2217980R2
Q5053	TRANSISTOR	INA6006AP1-T111	1	2217980R2
Q5054	TRANSISTOR	INA6006AP1-T111	1	2217980R2
Q5055	TRANSISTOR	INA6006AP1-T111	1	2217980R2
Q5056	TRANSISTOR	INA6006AP1-T111	1	2217980R2
Q5060	TRANSISTOR	INA6006AP1-T111	1	2217980R2
Q5061	TRANSISTOR	INA6006AP1-T111	1	2217980R2
Q5062	TRANSISTOR	INA6006AP1-T111	1	2217980R2
Q5063	TRANSISTOR	INA6006AP1-T111	1	2217980R2
Q5064	TRANSISTOR	INA6006AP1-T111	1	2217980R2
Q5065	TRANSISTOR	INA6006AP1-T111	1	2217980R2
Q5066	TRANSISTOR	INA6006AP1-T111	1	2217980R2
Q5080	TRANSISTOR	INC6006AP1-T111	1	2217990R2
Q5081	TRANSISTOR	INC6006AP1-T111	1	2217990R2
Q5082	TRANSISTOR	INC6006AP1-T111	1	2217990R2
Q5083	TRANSISTOR	INC6006AP1-T111	1	2217990R2
Q5084	TRANSISTOR	INC6006AP1-T111	1	2217990R2
Q5085	TRANSISTOR	INC6006AP1-T111	1	2217990R2
Q5086	TRANSISTOR	INC6006AP1-T111	1	2217990R2
Q5090	TRANSISTOR	INC6006AP1-T111	1	2217990R2
Q5091	TRANSISTOR	INC6006AP1-T111	1	2217990R2
Q5092	TRANSISTOR	INC6006AP1-T111	1	2217990R2
Q5093	TRANSISTOR	INC6006AP1-T111	1	2217990R2
Q5094	TRANSISTOR	INC6006AP1-T111	1	2217990R2
Q5095	TRANSISTOR	INC6006AP1-T111	1	2217990R2
Q5096	TRANSISTOR	INC6006AP1-T111	1	2217990R2
Q6010	TRANSISTOR	2SC2412K-R	1	2214653R2
Q6011	TRANSISTOR	2SC2412K-R	1	2214653R2
Q6012	TRANSISTOR	2SC2412K-R	1	2214653R2
Q6013	TRANSISTOR	2SC2412K-R	1	2214653R2
Q6014	TRANSISTOR	2SC2412K-R	1	2214653R2
Q6015	TRANSISTOR	2SC2412K-R	1	2214653R2
Q6016	TRANSISTOR	2SC2412K-R	1	2214653R2
Q6030	TRANSISTOR	INC6006AP1-T111	1	2217990R2
Q6031	TRANSISTOR	INC6006AP1-T111	1	2217990R2
Q6032	TRANSISTOR	INC6006AP1-T111	1	2217990R2
Q6033	TRANSISTOR	INC6006AP1-T111	1	2217990R2
Q6034	TRANSISTOR	INC6006AP1-T111	1	2217990R2
Q6035	TRANSISTOR	INC6006AP1-T111	1	2217990R2
Q6036	TRANSISTOR	INC6006AP1-T111	1	2217990R2
Q6040	TRANSISTOR	INA6006AP1-T111	1	2217980R2
Q6041	TRANSISTOR	INA6006AP1-T111	1	2217980R2
Q6042	TRANSISTOR	INA6006AP1-T111	1	2217980R2
Q6043	TRANSISTOR	INA6006AP1-T111	1	2217980R2
Q6044	TRANSISTOR	INA6006AP1-T111	1	2217980R2
Q6045	TRANSISTOR	INA6006AP1-T111	1	2217980R2
Q6046	TRANSISTOR	INA6006AP1-T111	1	2217980R2
Q6100	TRANSISTOR	TTA004B_Q(S)	1	2218012
Q6100A	HEAT SINK	(CLA)	1	27160689
Q6101	TRANSISTOR	TTA004B_Q(S)	1	2218012
Q6101A	HEAT SINK	(CLA)	1	27160689
Q6102	TRANSISTOR	TTA004B_Q(S)	1	2218012
Q6102A	HEAT SINK	(CLA)	1	27160689
Q6103	TRANSISTOR	TTA004B_Q(S)	1	2218012
Q6103A	HEAT SINK	(CLA)	1	27160689
Q6104	TRANSISTOR	TTA004B_Q(S)	1	2218012
Q6104A	HEAT SINK	(CLA)	1	27160689
Q6105	TRANSISTOR	TTA004B_Q(S)	1	2218012
Q6105A	HEAT SINK	(CLA)	1	27160689
Q6106	TRANSISTOR	TTA004B_Q(S)	1	2218012
Q6106A	HEAT SINK	(CLA)	1	27160689
Q6110	TRANSISTOR	TTC004B_Q(S)	1	2218022
Q6111	TRANSISTOR	TTC004B_Q(S)	1	2218022
Q6112	TRANSISTOR	TTC004B_Q(S)	1	2218022
Q6113	TRANSISTOR	TTC004B_Q(S)	1	2218022
Q6114	TRANSISTOR	TTC004B_Q(S)	1	2218022
Q6115	TRANSISTOR	TTC004B_Q(S)	1	2218022
Q6116	TRANSISTOR	TTC004B_Q(S)	1	2218022
Q6130	TRANSISTOR	2SA1037AK-R	1	2217043R2
Q6131	TRANSISTOR	2SA1037AK-R	1	2217043R2
Q6132	TRANSISTOR	2SA1037AK-R	1	2217043R2

Q6133	TRANSISTOR	2SA1037AK-R	1	2217043R2
Q6134	TRANSISTOR	2SA1037AK-R	1	2217043R2
Q6135	TRANSISTOR	2SA1037AK-R	1	2217043R2
Q6136	TRANSISTOR	2SA1037AK-R	1	2217043R2
Q9302	TRANSISTOR	2SC2881-Y	1	2217564AR2
[CHASSIS SCREW]				
Q6100B	SCREW	3TTB+8B(3BC)	2	838430088GR
Q6101B	SCREW	3TTB+8B(3BC)	2	838430088GR
Q6102B	SCREW	3TTB+8B(3BC)	2	838430088GR
Q6103B	SCREW	3TTB+8B(3BC)	2	838430088GR
Q6104B	SCREW	3TTB+8B(3BC)	2	838430088GR
Q6105B	SCREW	3TTB+8B(3BC)	2	838430088GR
Q6106B	SCREW	3TTB+8B(3BC)	2	838430088GR
[TRANS COIL]				
L6000	FERRITE CORE	---	1	5597-45502
L6001	FERRITE CORE	---	1	5597-45502
L6002	FERRITE CORE	---	1	5597-45502
L6003	FERRITE CORE	---	1	5597-45502
L6004	FERRITE CORE	---	1	5597-45502
L6005	FERRITE CORE	---	1	5597-45502
L6006	FERRITE CORE	---	1	5597-45502
L6011	FERRITE CORE	---	1	5597-45502
L6012	FERRITE CORE	---	1	5597-45502
L6014	FERRITE CORE	---	1	5597-45502
L6016	FERRITE CORE	---	1	5597-45502
L6020	FERRITE CORE	---	1	5597-45502
L6023	FERRITE CORE	---	1	5597-45502
L6025	FERRITE CORE	---	1	5597-45502
[CAPACITOR]				
C1556	UTSP TYPE ELECTROLYTIC CAPACITOR	CE04W50V 47M(UTSP)	1	397584707AT
C1560	UTSP TYPE ELECTROLYTIC CAPACITOR	CE04W50V 47M(UTSP)	1	397584707AT
C1561	UTSP TYPE ELECTROLYTIC CAPACITOR	CE04W50V 47M(UTSP)	1	397584707AT
C1562	UTSP TYPE ELECTROLYTIC CAPACITOR	CE04W50V 47M(UTSP)	1	397584707AT
C1563	UTSP TYPE ELECTROLYTIC CAPACITOR	CE04W50V 47M(UTSP)	1	397584707AT
C1564	UTSP TYPE ELECTROLYTIC CAPACITOR	CE04W50V 47M(UTSP)	1	397584707AT
C1565	UTSP TYPE ELECTROLYTIC CAPACITOR	CE04W50V 47M(UTSP)	1	397584707AT
C1567	UTSP TYPE ELECTROLYTIC CAPACITOR	CE04W50V 47M(UTSP)	1	397584707AT
C5000	UTSP TYPE ELECTROLYTIC CAPACITOR	CE04W50V-10M(UTSP)	1	397581007AT
C5001	UTSP TYPE ELECTROLYTIC CAPACITOR	CE04W50V-10M(UTSP)	1	397581007AT
C5002	UTSP TYPE ELECTROLYTIC CAPACITOR	CE04W50V-10M(UTSP)	1	397581007AT
C5003	UTSP TYPE ELECTROLYTIC CAPACITOR	CE04W50V-10M(UTSP)	1	397581007AT
C5004	UTSP TYPE ELECTROLYTIC CAPACITOR	CE04W50V-10M(UTSP)	1	397581007AT
C5005	UTSP TYPE ELECTROLYTIC CAPACITOR	CE04W50V-10M(UTSP)	1	397581007AT
C5006	UTSP TYPE ELECTROLYTIC CAPACITOR	CE04W50V-10M(UTSP)	1	397581007AT
C5010	UTSP TYPE ELECTROLYTIC CAPACITOR	CE04W50V 47M(UTSP)	1	397584707AT
C5011	UTSP TYPE ELECTROLYTIC CAPACITOR	CE04W50V 47M(UTSP)	1	397584707AT
C5012	UTSP TYPE ELECTROLYTIC CAPACITOR	CE04W50V 47M(UTSP)	1	397584707AT
C5013	UTSP TYPE ELECTROLYTIC CAPACITOR	CE04W50V 47M(UTSP)	1	397584707AT
C5014	UTSP TYPE ELECTROLYTIC CAPACITOR	CE04W50V 47M(UTSP)	1	397584707AT
C5015	UTSP TYPE ELECTROLYTIC CAPACITOR	CE04W50V 47M(UTSP)	1	397584707AT
C5016	UTSP TYPE ELECTROLYTIC CAPACITOR	CE04W50V 47M(UTSP)	1	397584707AT
C5020	UPZ TYPE PLASTIC FILM CAPACITOR	2AUPZTF221JE	1	376332214T
C5021	UPZ TYPE PLASTIC FILM CAPACITOR	2AUPZTF221JE	1	376332214T
C5022	UPZ TYPE PLASTIC FILM CAPACITOR	2AUPZTF221JE	1	376332214T
C5023	UPZ TYPE PLASTIC FILM CAPACITOR	2AUPZTF221JE	1	376332214T
C5024	UPZ TYPE PLASTIC FILM CAPACITOR	2AUPZTF221JE	1	376332214T
C5025	UPZ TYPE PLASTIC FILM CAPACITOR	2AUPZTF221JE	1	376332214T
C5026	UPZ TYPE PLASTIC FILM CAPACITOR	2AUPZTF221JE	1	376332214T
C5040	UTSP TYPE ELECTROLYTIC CAPACITOR	CE04W25V-220M(UTSP)	1	397552217T
C5041	UTSP TYPE ELECTROLYTIC CAPACITOR	CE04W25V-220M(UTSP)	1	397552217T
C5042	UTSP TYPE ELECTROLYTIC CAPACITOR	CE04W25V-220M(UTSP)	1	397552217T
C5043	UTSP TYPE ELECTROLYTIC CAPACITOR	CE04W25V-220M(UTSP)	1	397552217T
C5044	UTSP TYPE ELECTROLYTIC CAPACITOR	CE04W25V-220M(UTSP)	1	397552217T
C5045	UTSP TYPE ELECTROLYTIC CAPACITOR	CE04W25V-220M(UTSP)	1	397552217T
C5046	UTSP TYPE ELECTROLYTIC CAPACITOR	CE04W25V-220M(UTSP)	1	397552217T
C5100	UPZ TYPE PLASTIC FILM CAPACITOR	2AUPZTF101JE	1	376331014T
C5101	UPZ TYPE PLASTIC FILM CAPACITOR	2AUPZTF101JE	1	376331014T
C5102	UPZ TYPE PLASTIC FILM CAPACITOR	2AUPZTF101JE	1	376331014T
C5103	UPZ TYPE PLASTIC FILM CAPACITOR	2AUPZTF101JE	1	376331014T
C5104	UPZ TYPE PLASTIC FILM CAPACITOR	2AUPZTF101JE	1	376331014T
C5105	UPZ TYPE PLASTIC FILM CAPACITOR	2AUPZTF101JE	1	376331014T

C5106	UPZ TYPE PLASTIC FILM CAPACITOR	2AUPZTF101JE	1	376331014T
C5110	CERAMIC CAPACITOR	CC45SL50V-040C	1	345020401T
C5111	CERAMIC CAPACITOR	CC45SL50V-040C	1	345020401T
C5112	CERAMIC CAPACITOR	CC45SL50V-040C	1	345020401T
C5113	CERAMIC CAPACITOR	CC45SL50V-040C	1	345020401T
C5114	CERAMIC CAPACITOR	CC45SL50V-040C	1	345020401T
C5115	CERAMIC CAPACITOR	CC45SL50V-040C	1	345020401T
C5116	CERAMIC CAPACITOR	CC45SL50V-040C	1	345020401T
C5120	VR TYPE ELECTROLYTIC CAPACITOR	CE04W100V-22M(VR)	1	394692207T
C5121	VR TYPE ELECTROLYTIC CAPACITOR	CE04W100V-22M(VR)	1	394692207T
C5122	VR TYPE ELECTROLYTIC CAPACITOR	CE04W100V-22M(VR)	1	394692207T
C5123	VR TYPE ELECTROLYTIC CAPACITOR	CE04W100V-22M(VR)	1	394692207T
C5124	VR TYPE ELECTROLYTIC CAPACITOR	CE04W100V-22M(VR)	1	394692207T
C5125	VR TYPE ELECTROLYTIC CAPACITOR	CE04W100V-22M(VR)	1	394692207T
C5126	VR TYPE ELECTROLYTIC CAPACITOR	CE04W100V-22M(VR)	1	394692207T
C5130	VR TYPE ELECTROLYTIC CAPACITOR	CE04W100V-22M(VR)	1	394692207T
C5131	VR TYPE ELECTROLYTIC CAPACITOR	CE04W100V-22M(VR)	1	394692207T
C5132	VR TYPE ELECTROLYTIC CAPACITOR	CE04W100V-22M(VR)	1	394692207T
C5133	VR TYPE ELECTROLYTIC CAPACITOR	CE04W100V-22M(VR)	1	394692207T
C5134	VR TYPE ELECTROLYTIC CAPACITOR	CE04W100V-22M(VR)	1	394692207T
C5135	VR TYPE ELECTROLYTIC CAPACITOR	CE04W100V-22M(VR)	1	394692207T
C5136	VR TYPE ELECTROLYTIC CAPACITOR	CE04W100V-22M(VR)	1	394692207T
C6000	UMXR TYPE PLASTIC FILM CAPACITOR	1JUMXRTF102JE	1	376591024T
C6001	UMXR TYPE PLASTIC FILM CAPACITOR	1JUMXRTF102JE	1	376591024T
C6002	UMXR TYPE PLASTIC FILM CAPACITOR	1JUMXRTF102JE	1	376591024T
C6003	UMXR TYPE PLASTIC FILM CAPACITOR	1JUMXRTF102JE	1	376591024T
C6004	UMXR TYPE PLASTIC FILM CAPACITOR	1JUMXRTF102JE	1	376591024T
C6005	UMXR TYPE PLASTIC FILM CAPACITOR	1JUMXRTF102JE	1	376591024T
C6006	UMXR TYPE PLASTIC FILM CAPACITOR	1JUMXRTF102JE	1	376591024T
C6010	UTSP TYPE ELECTROLYTIC CAPACITOR	CE04W50V 47M(UTSP)	1	397584707AT
C6011	UTSP TYPE ELECTROLYTIC CAPACITOR	CE04W50V 47M(UTSP)	1	397584707AT
C6012	UTSP TYPE ELECTROLYTIC CAPACITOR	CE04W50V 47M(UTSP)	1	397584707AT
C6013	UTSP TYPE ELECTROLYTIC CAPACITOR	CE04W50V 47M(UTSP)	1	397584707AT
C6014	UTSP TYPE ELECTROLYTIC CAPACITOR	CE04W50V 47M(UTSP)	1	397584707AT
C6015	UTSP TYPE ELECTROLYTIC CAPACITOR	CE04W50V 47M(UTSP)	1	397584707AT
C6016	UTSP TYPE ELECTROLYTIC CAPACITOR	CE04W50V 47M(UTSP)	1	397584707AT
C6020	UTSP TYPE ELECTROLYTIC CAPACITOR	CE04W50V-22M(UTSP)	1	397582207AT
C6021	UTSP TYPE ELECTROLYTIC CAPACITOR	CE04W50V-22M(UTSP)	1	397582207AT
C6022	UTSP TYPE ELECTROLYTIC CAPACITOR	CE04W50V-22M(UTSP)	1	397582207AT
C6023	UTSP TYPE ELECTROLYTIC CAPACITOR	CE04W50V-22M(UTSP)	1	397582207AT
C6024	UTSP TYPE ELECTROLYTIC CAPACITOR	CE04W50V-22M(UTSP)	1	397582207AT
C6025	UTSP TYPE ELECTROLYTIC CAPACITOR	CE04W50V-22M(UTSP)	1	397582207AT
C6026	UTSP TYPE ELECTROLYTIC CAPACITOR	CE04W50V-22M(UTSP)	1	397582207AT
C9304	VR TYPE ELECTROLYTIC CAPACITOR	CE04W100V-47M(VR)	1	394694707T
C9305	VR TYPE ELECTROLYTIC CAPACITOR	CE04W50V-47M(VR)	1	394684707T
C9306	VR TYPE ELECTROLYTIC CAPACITOR	CE04W50V-47M(VR)	1	394684707T
[RESISTOR]				
R1556	CHIP TYPE CARBON RESISTOR	RN72K1J-224JE	1	435032244R1
R1559	CHIP TYPE CARBON RESISTOR	RN72K1J-000JE	1	435030004R1
R1563	CHIP TYPE CARBON RESISTOR	RN72K1J-224JE	1	435032244R1
R1564	CHIP TYPE CARBON RESISTOR	RN72K1J-224JE	1	435032244R1
R1565	CHIP TYPE CARBON RESISTOR	RN72K1J-224JE	1	435032244R1
R1567	CHIP TYPE CARBON RESISTOR	RN72K1J-224JE	1	435032244R1
R5000	CHIP TYPE CARBON RESISTOR	RN72K1J-222JE	1	435032224R1
R5001	CHIP TYPE CARBON RESISTOR	RN72K1J-222JE	1	435032224R1
R5002	CHIP TYPE CARBON RESISTOR	RN72K1J-222JE	1	435032224R1
R5003	CHIP TYPE CARBON RESISTOR	RN72K1J-222JE	1	435032224R1
R5004	CHIP TYPE CARBON RESISTOR	RN72K1J-222JE	1	435032224R1
R5005	CHIP TYPE CARBON RESISTOR	RN72K1J-222JE	1	435032224R1
R5006	CHIP TYPE CARBON RESISTOR	RN72K1J-222JE	1	435032224R1
R5010	CHIP TYPE CARBON RESISTOR	RN72K1J-563JE	1	435035634R1
R5011	CHIP TYPE CARBON RESISTOR	RN72K1J-563JE	1	435035634R1
R5012	CHIP TYPE CARBON RESISTOR	RN72K1J-563JE	1	435035634R1
R5013	CHIP TYPE CARBON RESISTOR	RN72K1J-563JE	1	435035634R1
R5014	CHIP TYPE CARBON RESISTOR	RN72K1J-563JE	1	435035634R1
R5015	CHIP TYPE CARBON RESISTOR	RN72K1J-563JE	1	435035634R1
R5016	CHIP TYPE CARBON RESISTOR	RN72K1J-563JE	1	435035634R1
R5020	CHIP TYPE CARBON RESISTOR	RN72K1J-331JE	1	435033314R1
R5021	CHIP TYPE CARBON RESISTOR	RN72K1J-331JE	1	435033314R1
R5022	CHIP TYPE CARBON RESISTOR	RN72K1J-331JE	1	435033314R1
R5023	CHIP TYPE CARBON RESISTOR	RN72K1J-331JE	1	435033314R1

R6311	NON-FLAMMABLE CARBON FILM RESISTOR	R25J-10	1	415471004T	
R6312	NON-FLAMMABLE CARBON FILM RESISTOR	R25J-10	1	415471004T	
R6313	NON-FLAMMABLE CARBON FILM RESISTOR	R25J-10	1	415471004T	
R6314	NON-FLAMMABLE CARBON FILM RESISTOR	R25J-10	1	415471004T	
R6315	NON-FLAMMABLE CARBON FILM RESISTOR	R25J-10	1	415471004T	
R6316	NON-FLAMMABLE CARBON FILM RESISTOR	R25J-10	1	415471004T	
R9301	CHIP TYPE CARBON RESISTOR	RN72K1J-010JE	1	435030104R1	
R9302	CHIP TYPE CARBON RESISTOR	RN72K1J-272JE	1	435032724R1	
R9303	CHIP TYPE CARBON RESISTOR	RN72K1J-333JE	1	435033334R1	
R9304	CHIP TYPE CARBON RESISTOR	RN72K1J-000JE	1	435030004R1	
R9305	CHIP TYPE CARBON RESISTOR	RN72K1J-272JE	1	435032724R1	
R9306	METAL RESISTOR	RNU1/2WCJ-8.2	1	453530824T	
[SW TRM]					
P1008A	SOCKET	IMSA-9142S-24A	1	25053234	
P4591B	SOCKET	IMSA-9142S-26A	1	25053235	
P5010A	SOCKET	NSCT-3P2183	1	25052286	
P5011A	SOCKET	NSCT-3P2183	1	25052286	
P5012A	SOCKET	NSCT-3P2183	1	25052286	
P5013A	SOCKET	NSCT-3P2183	1	25052286	
P5014A	SOCKET	NSCT-3P2183	1	25052286	
P5015A	SOCKET	NSCT-3P2183	1	25052286	
P5016A	SOCKET	NSCT-3P2183	1	25052286	
P5020A	TERMINAL	NTM-1P233(M1969)	1	25060302	
P5021A	TERMINAL	NTM-1P233(M1969)	1	25060302	
P5022A	TERMINAL	NTM-1P233(M1969)	1	25060302	
P5023A	TERMINAL	NTM-1P233(M1969)	1	25060302	
P5024A	TERMINAL	NTM-1P233(M1969)	1	25060302	
P5025A	TERMINAL	NTM-1P233(M1969)	1	25060302	
P5026A	TERMINAL	NTM-1P233(M1969)	1	25060302	
P6030B	SOCKET	IMSA-9115S-09L	1	25052989	
P6031B	SOCKET	IMSA-9115S-09L	1	25052989	
P6032B	SOCKET	IMSA-9115S-09L	1	25052989	
P6033B	SOCKET	IMSA-9115S-09L	1	25052989	
P6034B	SOCKET	IMSA-9115S-09L	1	25052989	
P6035B	SOCKET	IMSA-9115S-09L	1	25052989	
P6036B	SOCKET	IMSA-9115S-09L	1	25052989	
P9301	PLUG	NPLG-5P119	1	25055135	
P9302B	PLUG	NPLG-5P133	1	25055149	
P9303B	PLUG	NPLG-9P137	1	25055153	

U004

BAASP-1797-1A

: NSP

CIRCUIT NCPART NAME	DESCRIPTION	Q'TY	PART NO. (SN)	REMARKS
[SEMI CONDUCTOR]				
D2901	DIODE		D5SBA60	1 22380070
D2901A	HEAT SINK		RAD-083	1 27160271
D2901B	SCREW		3P+6FN(3BC)	1 82143006GR
D2902	DIODE		RB050M-30GTR	1 22380373R2
D2903	CHIP TYPE DIODE		DA2J10100	1 223303R2
D2903 or	CHIP TYPE DIODE		1SS352	(1) 223234R2
D2904	CHIP TYPE DIODE		DA2J10100	1 223303R2
D2904 or	CHIP TYPE DIODE		1SS352	(1) 223234R2
D2905	ZENER DIODE		DZ2J056M0L	1 224760560R2
D2905 or	ZENER DIODE		UDZS5.6B	(1) 224550560R2
D2906	CHIP TYPE DIODE		DA2J10100	1 223303R2
D2906 or	CHIP TYPE DIODE		1SS352	(1) 223234R2
D2907	ZENER DIODE		DZ2J056M0L	1 224760560R2
D2907 or	ZENER DIODE		UDZS5.6B	(1) 224550560R2
D2908	CHIP TYPE DIODE		DA2J10100	1 223303R2
D2908 or	CHIP TYPE DIODE		1SS352	(1) 223234R2
D2912	DIODE		RB050M-30GTR	1 22380373R2
D2951	CHIP TYPE DIODE		S1NB60-4062	1 22380318R2
D2953	DIODE		RL1N4003	1 22380260T
D4231	ZENER DIODE		DZ2J075M0L	1 224760750R2
D4231 or	ZENER DIODE		UDZS7.5B	(1) 224550750R2
D4232	ZENER DIODE		DZ2J075M0L	1 224760750R2
D4232 or	ZENER DIODE		UDZS7.5B	(1) 224550750R2
D4693	CHIP TYPE DIODE		DA2J10100	1 223303R2

D4693 or	CHIP TYPE DIODE	1SS352	(1)	223234R2
D4700	CHIP TYPE DIODE	DA2J10100	1	223303R2
D4700 or	CHIP TYPE DIODE	1SS352	(1)	223234R2
D4701	CHIP TYPE DIODE	DA2J10100	1	223303R2
D4701 or	CHIP TYPE DIODE	1SS352	(1)	223234R2
D4901	ZENER DIODE	DZ2J075M0L	1	224760750R2
D4901 or	ZENER DIODE	UDZS7.5B	(1)	224550750R2
D4902	ZENER DIODE	DZ2J075M0L	1	224760750R2
D4902 or	ZENER DIODE	UDZS7.5B	(1)	224550750R2
D4909	ZENER DIODE	DZ2J075M0L	1	224760750R2
D4909 or	ZENER DIODE	UDZS7.5B	(1)	224550750R2
D4910	ZENER DIODE	DZ2J075M0L	1	224760750R2
D4910 or	ZENER DIODE	UDZS7.5B	(1)	224550750R2
Q2001	HYBRID IC	NJW1328	1	22242691R3
Q2511	TRANSISTOR	2SC2712-GR	1	2213145R2
Q2512	TRANSISTOR	2SA1162-GR	1	2214375R2
Q2513	TRANSISTOR	2SA1162-GR	1	2214375R2
Q2514	TRANSISTOR	KTA1040D	1	2218210R2
Q2704	PHOTO COUPLER	TLP785(BL-TP6_F(C	1	24120173R2
Q2800	HYBRID IC	ICL3221ECVZ	1	22242268R2
Q2800 or	HYBRID IC	TRS3221ECPWR	(1)	22242805R2
Q2951	HYBRID IC	78M05(NJM78M05FA)	1	222780055JRC
Q2951A	HEAT SINK	ME151025402170	1	27160692
Q2951B	SCREW	3P+6FN(3BC)	1	82143006GR
Q2952	HYBRID IC	78M05(NJM78M05FA)	1	222780055JRC
Q2952A	HEAT-SINK	HEAT-SINK	1	27160179
Q2952B	SCREW	3P+6FN(3BC)	1	82143006GR
Q4001	HYBRID IC	NJW1298FU1	1	22242925R3
Q4101	HYBRID IC	NJM4580CG	1	22242922R2
Q4121	HYBRID IC	NJM4580CG	1	22242922R2
Q4141	HYBRID IC	NJM4580CG	1	22242922R2
Q4142	HYBRID IC	NJM4580CG	1	22242922R2
Q4161	HYBRID IC	NJM4580CG	1	22242922R2
Q4201	HYBRID IC	NJW1194	1	22242893R2
Q4241	TRANSISTOR	RTAN430C-T112-1	1	2217780R2
Q4242	TRANSISTOR	RTAN430C-T112-1	1	2217780R2
Q4341	TRANSISTOR	RTAN430C-T112-1	1	2217780R2
Q4342	TRANSISTOR	RTAN430C-T112-1	1	2217780R2
Q4600	TRANSISTOR	RTAN430C-T112-1	1	2217780R2
Q4601	TRANSISTOR	RTAN430C-T112-1	1	2217780R2
Q4602	TRANSISTOR	RTAN430C-T112-1	1	2217780R2
Q4603	TRANSISTOR	RTAN430C-T112-1	1	2217780R2
Q4604	TRANSISTOR	RTAN430C-T112-1	1	2217780R2
Q4605	TRANSISTOR	RTAN430C-T112-1	1	2217780R2
Q4606	TRANSISTOR	RTAN430C-T112-1	1	2217780R2
Q4607	TRANSISTOR	RTAN430C-T112-1	1	2217780R2
Q4608	TRANSISTOR	RTAN430C-T112-1	1	2217780R2
Q4610	TRANSISTOR	RTAN430C-T112-1	1	2217780R2
Q4611	TRANSISTOR	RTAN430C-T112-1	1	2217780R2
Q4612	TRANSISTOR	RTAN430C-T112-1	1	2217780R2
Q4613	TRANSISTOR	RTAN430C-T112-1	1	2217780R2
Q4614	TRANSISTOR	RTAN430C-T112-1	1	2217780R2
Q4615	TRANSISTOR	RTAN430C-T112-1	1	2217780R2
Q4616	TRANSISTOR	RTAN430C-T112-1	1	2217780R2
Q4617	TRANSISTOR	RTAN430C-T112-1	1	2217780R2
Q4618	TRANSISTOR	RTAN430C-T112-1	1	2217780R2
Q4620	TRANSISTOR	RTAN430C-T112-1	1	2217780R2
Q4621	TRANSISTOR	RTAN430C-T112-1	1	2217780R2
Q4622	TRANSISTOR	RTAN430C-T112-1	1	2217780R2
Q4630	TRANSISTOR	RTAN430C-T112-1	1	2217780R2
Q4631	TRANSISTOR	RTAN430C-T112-1	1	2217780R2
Q4632	TRANSISTOR	RTAN430C-T112-1	1	2217780R2
Q4691	TRANSISTOR	KRA102S	1	2216220R2
Q4691 or	TRANSISTOR	DTA124EKA	(1)	2216240R2
Q4700	TRANSISTOR	KRC105S	1	2217290R2
Q4700 or	TRANSISTOR	RN1405	(1)	2214500R2
Q4700 or	TRANSISTOR	DTC123JKA	(1)	2216690R2
Q4701	TRANSISTOR	KRC105S	1	2217290R2
Q4701 or	TRANSISTOR	RN1405	(1)	2214500R2
Q4701 or	TRANSISTOR	DTC123JKA	(1)	2216690R2
Q4901	TRANSISTOR	2SA1488-Y	1	2203394

Q4902	TRANSISTOR	2SC3851-Y	1	2203384	
Q4903	TRANSISTOR	2SC2712-GR	1	2213145R2	
Q4904	TRANSISTOR	2SA1162-GR	1	2214375R2	
[TRANS COIL]					
L2001	CHOKE COIL	LBC2518T4R7M	1	231364M047R2	
L2800	CHOKE COIL	LBC2518T470M	1	231364M470R2	
[CAPACITOR]					
C2001	JAMICON TYPE ELECTROLYTIC CAPACITOR	CE04W6.3V-470M	1	398524717T	
C2002	CHIP TYPE CERAMIC CAPACITOR	CK725B1C-104K1	1	332121045R1	
C2003	CHIP TYPE CERAMIC CAPACITOR	CK725B1C-104K1	1	332121045R1	
C2004	CHIP TYPE CERAMIC CAPACITOR	CK725B1C-104K1	1	332121045R1	
C2005	CHIP TYPE CERAMIC CAPACITOR	CK725B1C-104K1	1	332121045R1	
C2006	CHIP TYPE CERAMIC CAPACITOR	CK725B1C-104K1	1	332121045R1	
C2007	CHIP TYPE CERAMIC CAPACITOR	CK725B1C-104K1	1	332121045R1	
C2008	CHIP TYPE CERAMIC CAPACITOR	CK725B1C-104K1	1	332121045R1	
C2009	JAMICON TYPE ELECTROLYTIC CAPACITOR	CE04W6.3V-470M	1	398524717T	
C2010	JAMICON TYPE ELECTROLYTIC CAPACITOR	CE04W6.3V-470M	1	398524717T	
C2011	JAMICON TYPE ELECTROLYTIC CAPACITOR	CE04W16V-100M	1	398541017T	
C2012	JAMICON TYPE ELECTROLYTIC CAPACITOR	CE04W6.3V-470M	1	398524717T	
C2013	CHIP TYPE CERAMIC CAPACITOR	CK725B1C-104K1	1	332121045R1	
C2015	CHIP TYPE CERAMIC CAPACITOR	CK725B1C-104K1	1	332121045R1	
C2102	JAMICON TYPE ELECTROLYTIC CAPACITOR	CE04W50V-2.2M	1	398580227T	
C2104	JAMICON TYPE ELECTROLYTIC CAPACITOR	CE04W50V-2.2M	1	398580227T	
C2106	JAMICON TYPE ELECTROLYTIC CAPACITOR	CE04W50V-2.2M	1	398580227T	
C2107	CHIP TYPE CARBON RESISTOR	RN72K1J-000JE	1	435030004R1	
C2108	CHIP TYPE CARBON RESISTOR	RN72K1J-000JE	1	435030004R1	
C2109	CHIP TYPE CERAMIC CAPACITOR	CC725CH1H-151J1	1	342101514R1	
C2110	CHIP TYPE CARBON RESISTOR	RN72K1J-000JE	1	435030004R1	
C2112	JAMICON TYPE ELECTROLYTIC CAPACITOR	CE04W50V-2.2M	1	398580227T	
C2114	JAMICON TYPE ELECTROLYTIC CAPACITOR	CE04W50V-2.2M	1	398580227T	
C2116	JAMICON TYPE ELECTROLYTIC CAPACITOR	CE04W50V-2.2M	1	398580227T	
C2118	JAMICON TYPE ELECTROLYTIC CAPACITOR	CE04W50V-2.2M	1	398580227T	
C2120	JAMICON TYPE ELECTROLYTIC CAPACITOR	CE04W50V-2.2M	1	398580227T	
C2122	JAMICON TYPE ELECTROLYTIC CAPACITOR	CE04W50V-2.2M	1	398580227T	
C2126	JAMICON TYPE ELECTROLYTIC CAPACITOR	CE04W6.3V-470M	1	398524717T	
C2127	JAMICON TYPE ELECTROLYTIC CAPACITOR	CE04W6.3V-470M	1	398524717T	
C2128	JAMICON TYPE ELECTROLYTIC CAPACITOR	CE04W6.3V-470M	1	398524717T	
C2129	JAMICON TYPE ELECTROLYTIC CAPACITOR	CE04W6.3V-470M	1	398524717T	
C2800	CHIP TYPE CERAMIC CAPACITOR	CK732B16V-106K	1	332071065R2	
C2801	CHIP TYPE CERAMIC CAPACITOR	CK725B1C-104K1	1	332121045R1	
C2802	CHIP TYPE CERAMIC CAPACITOR	CK725B1C-104K1	1	332121045R1	
C2803	CHIP TYPE CERAMIC CAPACITOR	CK725B1C-104K1	1	332121045R1	
C2804	CHIP TYPE CERAMIC CAPACITOR	CK725B1C-104K1	1	332121045R1	
C2805	CHIP TYPE CERAMIC CAPACITOR	CK725B1C-104K1	1	332121045R1	
C2808	CHIP TYPE CERAMIC CAPACITOR	CK725B1H-102K1	1	332101025R1	
C2901	TF TYPE PLASTIC FILM CAPACITOR	ECQ-V50V-334J	1	374723344T	
C2901 or	FILM C	C281H334J20A21A	(1)	376823344T	
C2902	ELECTROLYTIC CAPACITOR	CE04W25V-10000M(TK)	1	3500240	N
C2903	UTSP TYPE ELECTROLYTIC CAPACITOR	CE04W50V-10M(UTSP)	1	397581007AT	
C2951	JAMICON TYPE ELECTROLYTIC CAPACITOR	CE04W25V-4700M	1	398554727S	
C2952	TF TYPE PLASTIC FILM CAPACITOR	ECQ-V50V-334J	1	374723344T	
C2952 or	FILM C	C281H334J20A21A	(1)	376823344T	
C2953	TF TYPE PLASTIC FILM CAPACITOR	ECQ-V50V-334J	1	374723344T	
C2953 or	FILM C	C281H334J20A21A	(1)	376823344T	
C2954	VR TYPE ELECTROLYTIC CAPACITOR	CE04W16V-100M(VR)	1	394641017T	
C2955	VR TYPE ELECTROLYTIC CAPACITOR	CE04W16V-100M(VR)	1	394641017T	
C2957	CHIP TYPE CERAMIC CAPACITOR	CK725B1C-104K1	1	332121045R1	
C4000	CHIP TYPE CERAMIC CAPACITOR	CC725CH1H-221J1	1	342102214R1	
C4001	CHIP TYPE CERAMIC CAPACITOR	CC725CH1H-221J1	1	342102214R1	
C4002	CHIP TYPE CERAMIC CAPACITOR	CC725CH1H-221J1	1	342102214R1	
C4003	CHIP TYPE CERAMIC CAPACITOR	CC725CH1H-221J1	1	342102214R1	
C4004	CHIP TYPE CERAMIC CAPACITOR	CC725CH1H-221J1	1	342102214R1	
C4005	CHIP TYPE CERAMIC CAPACITOR	CC725CH1H-221J1	1	342102214R1	
C4006	CHIP TYPE CERAMIC CAPACITOR	CC725CH1H-221J1	1	342102214R1	
C4007	CHIP TYPE CERAMIC CAPACITOR	CC725CH1H-221J1	1	342102214R1	
C4008	CHIP TYPE CERAMIC CAPACITOR	CC725CH1H-221J1	1	342102214R1	
C4009	CHIP TYPE CERAMIC CAPACITOR	CC725CH1H-221J1	1	342102214R1	
C4010	CHIP TYPE CERAMIC CAPACITOR	CC725CH1H-221J1	1	342102214R1	
C4011	CHIP TYPE CERAMIC CAPACITOR	CC725CH1H-221J1	1	342102214R1	
C4012	UPZ TYPE PLASTIC FILM CAPACITOR	2AUPZTF221JE	1	376332214T	
C4013	UPZ TYPE PLASTIC FILM CAPACITOR	2AUPZTF221JE	1	376332214T	

C4014	CHIP TYPE CERAMIC CAPACITOR	CC725CH1H-221J1	1	342102214R1	
C4015	CHIP TYPE CERAMIC CAPACITOR	CC725CH1H-221J1	1	342102214R1	
C4016	CHIP TYPE CERAMIC CAPACITOR	CC725CH1H-221J1	1	342102214R1	
C4017	CHIP TYPE CERAMIC CAPACITOR	CC725CH1H-221J1	1	342102214R1	
C4050	UTSP TYPE ELECTROLYTIC CAPACITOR	CE04W25V-47M(UTSP)	1	397554707AT	
C4051	UTSP TYPE ELECTROLYTIC CAPACITOR	CE04W25V-47M(UTSP)	1	397554707AT	
C4052	UTSP TYPE ELECTROLYTIC CAPACITOR	CE04W25V-47M(UTSP)	1	397554707AT	
C4053	UTSP TYPE ELECTROLYTIC CAPACITOR	CE04W10V-100M(UTSP)	1	397531017AT	
C4054	UTSP TYPE ELECTROLYTIC CAPACITOR	CE04W10V-100M(UTSP)	1	397531017AT	
C4055	UTSP TYPE ELECTROLYTIC CAPACITOR	CE04W10V-100M(UTSP)	1	397531017AT	
C4056	UTSP TYPE ELECTROLYTIC CAPACITOR	CE04W10V-100M(UTSP)	1	397531017AT	
C4057	UTSP TYPE ELECTROLYTIC CAPACITOR	CE04W10V-100M(UTSP)	1	397531017AT	
C4058	UTSP TYPE ELECTROLYTIC CAPACITOR	CE04W10V-100M(UTSP)	1	397531017AT	
C4059	UTSP TYPE ELECTROLYTIC CAPACITOR	CE04W10V-220M(UTSP)	1	397532217AT	
C4060	UTSP TYPE ELECTROLYTIC CAPACITOR	CE04W10V-220M(UTSP)	1	397532217AT	
C4061	UTSP TYPE ELECTROLYTIC CAPACITOR	CE04W50V 47M(UTSP)	1	397584707AT	
C4062	UTSP TYPE ELECTROLYTIC CAPACITOR	CE04W50V 47M(UTSP)	1	397584707AT	
C4063	UTSP TYPE ELECTROLYTIC CAPACITOR	CE04W50V 47M(UTSP)	1	397584707AT	
C4064	UTSP TYPE ELECTROLYTIC CAPACITOR	CE04W50V 47M(UTSP)	1	397584707AT	
C4070	CHIP TYPE CERAMIC CAPACITOR	CC725CH1H-102J1	1	342101024R1	
C4105	CHIP TYPE CERAMIC CAPACITOR	CC725CH1H-101J1	1	342101014R1	
C4106	CHIP TYPE CERAMIC CAPACITOR	CC725CH1H-101J1	1	342101014R1	
C4107	UTSP TYPE ELECTROLYTIC CAPACITOR	CE04W50V 47M(UTSP)	1	397584707AT	
C4108	UTSP TYPE ELECTROLYTIC CAPACITOR	CE04W50V 47M(UTSP)	1	397584707AT	
C4121	UTSP TYPE ELECTROLYTIC CAPACITOR	CE04W50V 47M(UTSP)	1	397584707AT	
C4122	UTSP TYPE ELECTROLYTIC CAPACITOR	CE04W50V 47M(UTSP)	1	397584707AT	
C4123	CHIP TYPE CERAMIC CAPACITOR	CC725CH1H-221J1	1	342102214R1	
C4124	CHIP TYPE CERAMIC CAPACITOR	CC725CH1H-221J1	1	342102214R1	
C4125	TF TYPE PLASTIC FILM CAPACITOR	ECQ-V50V-103J	1	374721034T	
C4126	TF TYPE PLASTIC FILM CAPACITOR	ECQ-V50V-103J	1	374721034T	
C4141	UTSP TYPE ELECTROLYTIC CAPACITOR	CE04W50V 47M(UTSP)	1	397584707AT	
C4142	UTSP TYPE ELECTROLYTIC CAPACITOR	CE04W50V-0.1M(UTSP)	1	397581097AT	N
C4143	UTSP TYPE ELECTROLYTIC CAPACITOR	CE04W50V-0.1M(UTSP)	1	397581097AT	N
C4144	TF TYPE PLASTIC FILM CAPACITOR	ECQ-V50V-104J	1	374721044T	
C4144 or	FILM C	C281H104J20A21A	(1)	376821044T	
C4145	UTSP TYPE ELECTROLYTIC CAPACITOR	CE04W50V 47M(UTSP)	1	397584707AT	
C4153	CHIP TYPE CERAMIC CAPACITOR	CC725CH1H-331J1	1	342103314R1	
C4154	CHIP TYPE CERAMIC CAPACITOR	CC725CH1H-331J1	1	342103314R1	
C4155	UTSP TYPE ELECTROLYTIC CAPACITOR	CE04W50V 47M(UTSP)	1	397584707AT	
C4156	UTSP TYPE ELECTROLYTIC CAPACITOR	CE04W50V 47M(UTSP)	1	397584707AT	
C4161	UTSP TYPE ELECTROLYTIC CAPACITOR	CE04W50V 47M(UTSP)	1	397584707AT	
C4162	UTSP TYPE ELECTROLYTIC CAPACITOR	CE04W50V 47M(UTSP)	1	397584707AT	
C4163	CHIP TYPE CERAMIC CAPACITOR	CC725CH1H-102J1	1	342101024R1	
C4164	CHIP TYPE CERAMIC CAPACITOR	CC725CH1H-102J1	1	342101024R1	
C4165	UTSP TYPE ELECTROLYTIC CAPACITOR	CE04W25V-220M(UTSP)	1	397552217T	
C4166	UTSP TYPE ELECTROLYTIC CAPACITOR	CE04W25V-220M(UTSP)	1	397552217T	
C4167	TF TYPE PLASTIC FILM CAPACITOR	ECQ-V50V-123J	1	374721234T	
C4168	TF TYPE PLASTIC FILM CAPACITOR	ECQ-V50V-123J	1	374721234T	
C4169	UMXR TYPE PLASTIC FILM CAPACITOR	1JUMXRTF332JE	1	376593324T	N
C4170	UMXR TYPE PLASTIC FILM CAPACITOR	1JUMXRTF332JE	1	376593324T	N
C4175	UTSP TYPE ELECTROLYTIC CAPACITOR	CE04W50V-10M(UTSP)	1	397581007AT	
C4176	UTSP TYPE ELECTROLYTIC CAPACITOR	CE04W50V-10M(UTSP)	1	397581007AT	
C4177	CHIP TYPE CERAMIC CAPACITOR	CK725B1H-472K1	1	332104725R1	
C4178	CHIP TYPE CERAMIC CAPACITOR	CK725B1H-472K1	1	332104725R1	
C4201	UTSP TYPE ELECTROLYTIC CAPACITOR	CE04W50V 47M(UTSP)	1	397584707AT	
C4202	UTSP TYPE ELECTROLYTIC CAPACITOR	CE04W50V 47M(UTSP)	1	397584707AT	
C4203	UTSP TYPE ELECTROLYTIC CAPACITOR	CE04W25V-100M(UTSP)	1	397551017AT	
C4204	UTSP TYPE ELECTROLYTIC CAPACITOR	CE04W25V-100M(UTSP)	1	397551017AT	
C4205	CHIP TYPE CERAMIC CAPACITOR	CK725B1H-104K1	1	332101045R1	
C4206	CHIP TYPE CERAMIC CAPACITOR	CK725B1H-104K1	1	332101045R1	
C4207	VR TYPE ELECTROLYTIC CAPACITOR	CE04W50V-4.7M(VR)	1	394680477T	
C4208	VR TYPE ELECTROLYTIC CAPACITOR	CE04W50V-4.7M(VR)	1	394680477T	
C4209	CHIP TYPE CERAMIC CAPACITOR	CK725B1H-332K1	1	332103325R1	
C4210	CHIP TYPE CERAMIC CAPACITOR	CK725B1H-332K1	1	332103325R1	
C4211	VR TYPE ELECTROLYTIC CAPACITOR	CE04W50V-10M(VR)	1	394681007T	
C4230	CHIP TYPE CERAMIC CAPACITOR	CC725CH1H-102J1	1	342101024R1	
C4231	UTSP TYPE ELECTROLYTIC CAPACITOR	CE04W25V-100M(UTSP)	1	397551017AT	
C4232	UTSP TYPE ELECTROLYTIC CAPACITOR	CE04W25V-100M(UTSP)	1	397551017AT	
C4241	UTSP TYPE ELECTROLYTIC CAPACITOR	CE04W50V 47M(UTSP)	1	397584707AT	
C4242	UTSP TYPE ELECTROLYTIC CAPACITOR	CE04W50V 47M(UTSP)	1	397584707AT	
C4251	CHIP TYPE CERAMIC CAPACITOR	CC725CH1H-221J1	1	342102214R1	

C4252	CHIP TYPE CERAMIC CAPACITOR	CC725CH1H-221J1	1	342102214R1
C4253	CHIP TYPE CERAMIC CAPACITOR	CC725CH1H-221J1	1	342102214R1
C4254	CHIP TYPE CERAMIC CAPACITOR	CC725CH1H-221J1	1	342102214R1
C4255	CHIP TYPE CERAMIC CAPACITOR	CK725B1C-104K1	1	332121045R1
C4341	UTSP TYPE ELECTROLYTIC CAPACITOR	CE04W50V 47M(UTSP)	1	397584707AT
C4342	UTSP TYPE ELECTROLYTIC CAPACITOR	CE04W50V 47M(UTSP)	1	397584707AT
C4600	UTSP TYPE ELECTROLYTIC CAPACITOR	CE04W50V 47M(UTSP)	1	397584707AT
C4601	UTSP TYPE ELECTROLYTIC CAPACITOR	CE04W50V 47M(UTSP)	1	397584707AT
C4602	UTSP TYPE ELECTROLYTIC CAPACITOR	CE04W50V 47M(UTSP)	1	397584707AT
C4603	UTSP TYPE ELECTROLYTIC CAPACITOR	CE04W50V 47M(UTSP)	1	397584707AT
C4604	UTSP TYPE ELECTROLYTIC CAPACITOR	CE04W50V 47M(UTSP)	1	397584707AT
C4605	UTSP TYPE ELECTROLYTIC CAPACITOR	CE04W50V 47M(UTSP)	1	397584707AT
C4606	UTSP TYPE ELECTROLYTIC CAPACITOR	CE04W50V 47M(UTSP)	1	397584707AT
C4607	UTSP TYPE ELECTROLYTIC CAPACITOR	CE04W50V-22M(UTSP)	1	397582207AT
C4609	UTSP TYPE ELECTROLYTIC CAPACITOR	CE04W50V-22M(UTSP)	1	397582207AT
C4610	UPZ TYPE PLASTIC FILM CAPACITOR	2AUPZTF221JE	1	376332214T
C4611	UPZ TYPE PLASTIC FILM CAPACITOR	2AUPZTF221JE	1	376332214T
C4612	CHIP TYPE CERAMIC CAPACITOR	CC725CH1H-221J1	1	342102214R1
C4613	CHIP TYPE CERAMIC CAPACITOR	CC725CH1H-221J1	1	342102214R1
C4614	CHIP TYPE CERAMIC CAPACITOR	CC725CH1H-221J1	1	342102214R1
C4615	CHIP TYPE CERAMIC CAPACITOR	CC725CH1H-221J1	1	342102214R1
C4616	CHIP TYPE CERAMIC CAPACITOR	CC725CH1H-221J1	1	342102214R1
C4617	CHIP TYPE CERAMIC CAPACITOR	CC725CH1H-221J1	1	342102214R1
C4618	CHIP TYPE CERAMIC CAPACITOR	CC725CH1H-221J1	1	342102214R1
C4690	TF TYPE PLASTIC FILM CAPACITOR	EQC-V50V-104J	1	374721044T
C4690 or	FILM C	C281H104J20A21A	(1)	376821044T
C4700	CHIP TYPE CERAMIC CAPACITOR	CK725B1H-104K1	1	332101045R1
C4701	CHIP TYPE CERAMIC CAPACITOR	CK725B1H-104K1	1	332101045R1
C4850	UMXR TYPE PLASTIC FILM CAPACITOR	1JUMXRTEF102JE	1	376591024T
C4851	UMXR TYPE PLASTIC FILM CAPACITOR	1JUMXRTEF102JE	1	376591024T
C4852	UMXR TYPE PLASTIC FILM CAPACITOR	1JUMXRTEF102JE	1	376591024T
C4861	CHIP TYPE CERAMIC CAPACITOR	CK725B1H-102K1	1	332101025R1
C4862	CHIP TYPE CERAMIC CAPACITOR	CK725B1H-102K1	1	332101025R1
C4901	UTSP TYPE ELECTROLYTIC CAPACITOR	CE04W50V-22M(UTSP)	1	397582207AT
C4902	UTSP TYPE ELECTROLYTIC CAPACITOR	CE04W50V-22M(UTSP)	1	397582207AT
C4903	UTSP TYPE ELECTROLYTIC CAPACITOR	CE04W25V-220M(UTSP)	1	397552217T
C4904	UTSP TYPE ELECTROLYTIC CAPACITOR	CE04W25V-220M(UTSP)	1	397552217T
C4907	JAMICON TYPE ELECTROLYTIC CAPACITOR	CE04W16V-100M	1	398541017T
C4908	JAMICON TYPE ELECTROLYTIC CAPACITOR	CE04W16V-100M	1	398541017T
C4909	UTSP TYPE ELECTROLYTIC CAPACITOR	CE04W25V-220M(UTSP)	1	397552217T
C4910	UTSP TYPE ELECTROLYTIC CAPACITOR	CE04W25V-220M(UTSP)	1	397552217T
C4911	CHIP TYPE CERAMIC CAPACITOR	CK725B1H-104K1	1	332101045R1
C4912	CHIP TYPE CERAMIC CAPACITOR	CK725B1H-104K1	1	332101045R1
C4913	JAMICON TYPE ELECTROLYTIC CAPACITOR	CE04W16V-100M	1	398541017T
C4914	JAMICON TYPE ELECTROLYTIC CAPACITOR	CE04W16V-100M	1	398541017T
[RESISTOR]				
R2001	CHIP TYPE CARBON RESISTOR	RN72K1J-101JE	1	435031014R1
R2002	CHIP TYPE CARBON RESISTOR	RN72K1J-101JE	1	435031014R1
R2003	CHIP TYPE CARBON RESISTOR	RN72K1J-222JE	1	435032224R1
R2004	CHIP TYPE CARBON RESISTOR	RN72K1J-222JE	1	435032224R1
R2005	CHIP TYPE CARBON RESISTOR	RN72K1J-103JE	1	435031034R1
R2006	CHIP TYPE CARBON RESISTOR	RN72K1J-563JE	1	435035634R1
R2007	CHIP TYPE CARBON RESISTOR	RN72K1J-561JE	1	435035614R1
R2008	CHIP TYPE CARBON RESISTOR	RN72K1J-561JE	1	435035614R1
R2015	CHIP TYPE CARBON RESISTOR	RN72K1J-563JE	1	435035634R1
R2016	CHIP TYPE CARBON RESISTOR	RN72K1J-103JE	1	435031034R1
R2026	CHIP TYPE CARBON RESISTOR	RN72K1J-103JE	1	435031034R1
R2027	CHIP TYPE CARBON RESISTOR	RN72K1J-103JE	1	435031034R1
R2101	CHIP TYPE CARBON RESISTOR	RN72K1J-750JE	1	435037504R1
R2102	CHIP TYPE CARBON RESISTOR	RN72K1J-750JE	1	435037504R1
R2103	CHIP TYPE CARBON RESISTOR	RN72K1J-750JE	1	435037504R1
R2104	CHIP TYPE CARBON RESISTOR	RN72K1J-104JE	1	435031044R1
R2105	CHIP TYPE CARBON RESISTOR	RN72K1J-750JE	1	435037504R1
R2106	CHIP TYPE CARBON RESISTOR	RN72K1J-750JE	1	435037504R1
R2107	CHIP TYPE CARBON RESISTOR	RN72K1J-750JE	1	435037504R1
R2108	CHIP TYPE CARBON RESISTOR	RN72K1J-750JE	1	435037504R1
R2109	CHIP TYPE CARBON RESISTOR	RN72K1J-750JE	1	435037504R1
R2110	CHIP TYPE CARBON RESISTOR	RN72K1J-750JE	1	435037504R1
R2111	CHIP TYPE CARBON RESISTOR	RN72K1J-750JE	1	435037504R1
R2112	CHIP TYPE CARBON RESISTOR	RN72K1J-104JE	1	435031044R1
R2113	CHIP TYPE CARBON RESISTOR	RN72K1J-750JE	1	435037504R1

R4710	CHIP TYPE CARBON RESISTOR	RN72K2E-000JE	1	435220004R1	
R4711	CHIP TYPE CARBON RESISTOR	RN72K1J-000JE	1	435030004R1	
R4712	CHIP TYPE CARBON RESISTOR	RN72K1J-000JE	1	435030004R1	
R4713	CHIP TYPE CARBON RESISTOR	RN72K1J-000JE	1	435030004R1	
R4715	CHIP TYPE CARBON RESISTOR	RN72K1J-000JE	1	435030004R1	
R4716	CHIP TYPE CARBON RESISTOR	RN72K1J-000JE	1	435030004R1	
R4717	CHIP TYPE CARBON RESISTOR	RN72K1J-000JE	1	435030004R1	
R4861	CHIP TYPE CARBON RESISTOR	RN72K1J-224JE	1	435032244R1	
R4862	CHIP TYPE CARBON RESISTOR	RN72K1J-224JE	1	435032244R1	
R4863	CHIP TYPE CARBON RESISTOR	RN72K1J-102JE	1	435031024R1	
R4864	CHIP TYPE CARBON RESISTOR	RN72K1J-102JE	1	435031024R1	
R4901	CHIP TYPE CARBON RESISTOR	RN72K1J-472JE	1	435034724R1	
R4902	CHIP TYPE CARBON RESISTOR	RN72K1J-472JE	1	435034724R1	
R4903	CHIP TYPE CARBON RESISTOR	RN72K1J-561JE	1	435035614R1	
R4904	CHIP TYPE CARBON RESISTOR	RN72K1J-561JE	1	435035614R1	
R4905	CHIP TYPE CARBON RESISTOR	RN72K2E-220JE	1	435222204R1	
R4906	CHIP TYPE CARBON RESISTOR	RN72K2E-220JE	1	435222204R1	
R4907	CHIP TYPE CARBON RESISTOR	RN72K1J-100JE	1	435031004R1	
R4908	CHIP TYPE CARBON RESISTOR	RN72K1J-100JE	1	435031004R1	
R4909	CHIP TYPE CARBON RESISTOR	RN72K1J-151JE	1	435031514R1	
R4910	CHIP TYPE CARBON RESISTOR	RN72K1J-151JE	1	435031514R1	
R4911	CHIP TYPE CARBON RESISTOR	RN72K1J-151JE	1	435031514R1	
R4912	CHIP TYPE CARBON RESISTOR	RN72K1J-151JE	1	435031514R1	
R4913	CHIP TYPE CARBON RESISTOR	RN72K1J-100JE	1	435031004R1	
R4914	CHIP TYPE CARBON RESISTOR	RN72K1J-100JE	1	435031004R1	
R4915	CHIP TYPE CARBON RESISTOR	RN72K2E-000JE	1	435220004R1	
R4916	CHIP TYPE CARBON RESISTOR	RN72K2E-000JE	1	435220004R1	
R4917	CHIP TYPE CARBON RESISTOR	RN72K2E-000JE	1	435220004R1	
R4918	CHIP TYPE CARBON RESISTOR	RN72K2E-000JE	1	435220004R1	
[SW TRM]					
F2901	FUSE	T6.3A-SEUL-T250V	1	252399T	!
F2951	FUSE	T1A-SEUL-T250V	1	252397T	!
P2003	PLUG	NPLG-5P119	1	25055135	
P2005	RETAINER	(PC-HOLD)	1	27142149	
P2101	PIN JACK	NPJ-3PDYYY560	1	25045778	
P2101A	SOCKET	NSCT-11P2191	1	25052294	
P2102	PIN JACK	NPJ-1PDY658	1	25045886	
P2103	PIN JACK	NPJ-9PDGLRGLRGLR563	1	25045781	
P2200	WIRE HARNESS ASSEMBLY	NSAS-7P2125	1	2009991314UL	
P2200A	WIRE HOL	CHD-1.5-7	1	25053537	
P2200Aor	WIRE HOL	NSCT-7P878	(1)	25051091	
P2201A	SOCKET	NSCT-40P2237	1	25052340	
P2203A	SOCKET	NSCT-15P2433	1	25052536	
P2204A	SOCKET	NSCT-7P2100	1	25052203	
P2701	ST JACK	HSJ1002-01-6020	1	25045647	
P2800	SOCKET	MDS-09P-V-01(DSUB9P)	1	25053363	
P4000	PIN JACK	NPJ-6PDWWWRRRR561	1	25045779	
P4001	PIN JACK	NPJ-4PDWWR624	1	25045845	
P4002	PIN JACK	NPJ-2PDWR558	1	25045776	
P4003	PIN JACK	NPJ-6PDWWWRRRR561	1	25045779	
P4031	RETAINER	(TRM)	1	25060507	
P4251	PIN JACK	NPJ-4PDWWR624	1	25045845	
P4511A	PLUG	IMSA-9142B-26A	1	25056603	
P4600	PIN JACK	NPJ-2PDWR558	1	25045776	
P4601	PIN JACK	NPJ-1PDG741	1	25045991	
P4602	PIN JACK	NPJ-6PDLENTP701	1	25045935	
P4604B	PLUG	NPLG-13P141	1	25055157	
P4605A	SOCKET	NSCT-9P2102	1	25052205	
P4605B	SOCKET	NSCT-9P2102	1	25052205	
P4880A	WIRE HOL	CHD-1.5-7	1	25053537	
P4880Aor	WIRE HOL	NSCT-7P878	(1)	25051091	
P4880B	WIRE HOL	CHD-1.5-7	1	25053537	
P4880Bor	WIRE HOL	NSCT-7P878	(1)	25051091	
P7001B	SOCKET	NSCT-13P2404	1	25052507	
P9000B	PLUG	NPLG-5P133	1	25055149	
P9201B	PLUG	NPLG-5P133	1	25055149	
RL4700	RELAY	NRL-2P2A-DC12-207	1	25065726	
RL4700 or	RELAY	NRL-2P2A-DC12-178	(1)	25065664	
RL4701	RELAY	NRL-2P2A-DC12-207	1	25065726	
RL4701 or	RELAY	NRL-2P2A-DC12-178	(1)	25065664	

U005

BADG-1800-1A

: NSP

CIRCUIT NO	PART NAME	DESCRIPTION	Q'TY	PART NO. (SN)	REMARKS
[SEMI CONDUCTOR]					
D1200	CHIP TYPE DIODE	DA2J10100	1	223303R2	
D1200 or	CHIP TYPE DIODE	1SS352	(1)	223234R2	
D1201	CHIP TYPE DIODE	DA2J10100	1	223303R2	
D1201 or	CHIP TYPE DIODE	1SS352	(1)	223234R2	
D1202	CHIP TYPE DIODE	DA2J10100	1	223303R2	
D1202 or	CHIP TYPE DIODE	1SS352	(1)	223234R2	
D1203	CHIP TYPE DIODE	DA2J10100	1	223303R2	
D1203 or	CHIP TYPE DIODE	1SS352	(1)	223234R2	
D1204	CHIP TYPE DIODE	DA2J10100	1	223303R2	
D1204 or	CHIP TYPE DIODE	1SS352	(1)	223234R2	
D1205	CHIP TYPE DIODE	DA2J10100	1	223303R2	
D1205 or	CHIP TYPE DIODE	1SS352	(1)	223234R2	
D1206	CHIP TYPE DIODE	DA2J10100	1	223303R2	
D1206 or	CHIP TYPE DIODE	1SS352	(1)	223234R2	
D1207	CHIP TYPE DIODE	DA2J10100	1	223303R2	
D1207 or	CHIP TYPE DIODE	1SS352	(1)	223234R2	
Q1000	HYBRID IC	TC74HCU04AF	1	222740046R2TO	
Q1100	HYBRID IC	S-13A1A33-U5T1U3	1	22242844R2	
Q1200	HYBRID IC	PCM9211PTR	1	22242703R2	
Q1201	HYBRID IC	PCM9211PTR	1	22242703R2	
Q1202	HYBRID IC	TC7SZU04FU	1	22242512R2TO	
Q1301	HYBRID IC	AK4458VN	1	22242927R2	
Q1400	HYBRID IC	NE5532APSR	1	22242283R2	
Q1401	HYBRID IC	NJM4580CG	1	22242922R2	
Q1402	HYBRID IC	NJM4580CG	1	22242922R2	
Q1403	HYBRID IC	NJM4580CG	1	22242922R2	
Q1410	HYBRID IC	NE5532APSR	1	22242283R2	
Q1420	HYBRID IC	NE5532APSR	1	22242283R2	
Q1430	HYBRID IC	NE5532APSR	1	22242283R2	
Q1440	HYBRID IC	NE5532APSR	1	22242283R2	
[TRANS COIL]					
L1000	EMI SUPPRESSION FILTER	BK1608HS102-T	1	230955R2	
L1001	EMI SUPPRESSION FILTER	BK1608HS102-T	1	230955R2	
L1003	CHOKE COIL	LBC2518T470M	1	231364M470R2	
L1201	CHOKE COIL	LBC2518T4R7M	1	231364M047R2	
L1202	CHOKE COIL	LBC2518T4R7M	1	231364M047R2	
L1203	CORE	MMZ1608Y601BT	1	2350004R1	
L1204	CORE	MMZ1608Y601BT	1	2350004R1	
L1205	CORE	MMZ1608Y601BT	1	2350004R1	
L1206	CORE	BLM18PG181SN1D	1	2350005R1	
L1207	CORE	MMZ1608Y601BT	1	2350004R1	
L1208	CHOKE COIL	LBC2518T4R7M	1	231364M047R2	
L1209	CHOKE COIL	LBC2518T4R7M	1	231364M047R2	
L1210	CORE	MMZ1608Y601BT	1	2350004R1	
L1211	CORE	BLM18PG181SN1D	1	2350005R1	
L1212	CORE	BLM18PG181SN1D	1	2350005R1	
L1301	CHOKE COIL	LBC2518T4R7M	1	231364M047R2	
L1302	CHOKE COIL	LBC2518T4R7M	1	231364M047R2	
X1201	CRYSTAL	HC-49S 9C22.5792M	1	3010535R2	
[CAPACITOR]					
C1002	CHIP TYPE CERAMIC CAPACITOR	CK725B1C-104K0	1	332011045R1	
C1003	CHIP TYPE CERAMIC CAPACITOR	CK725B1C-104K0	1	332011045R1	
C1006	CHIP TYPE CERAMIC CAPACITOR	CK725B1C-104K0	1	332011045R1	
C1007	CHIP TYPE CERAMIC CAPACITOR	CK725B1C-104K0	1	332011045R1	
C1008	CHIP TYPE CERAMIC CAPACITOR	CK725B1C-104K0	1	332011045R1	
C1010	CHIP TYPE CERAMIC CAPACITOR	CC725CH1H-080D1	1	342100802R1	
C1011	CHIP TYPE CERAMIC CAPACITOR	CC725CH1H-080D1	1	342100802R1	
C1012	CHIP TYPE CERAMIC CAPACITOR	CK725B1C-104K0	1	332011045R1	
C1013	UTSP TYPE ELECTROLYTIC CAPACITOR	CE04W10V-220M(UTSP)	1	397532217AT	
C1100	CHIP TYPE CERAMIC CAPACITOR	CK732B16V-106K	1	332071065R2	
C1101	CHIP TYPE CERAMIC CAPACITOR	CK732B16V-106K	1	332071065R2	
C1200	UTSP TYPE ELECTROLYTIC CAPACITOR	CE04W10V-220M(UTSP)	1	397532217AT	
C1201	CHIP TYPE CERAMIC CAPACITOR	CK725B1C-104K0	1	332011045R1	
C1202	UTSP TYPE ELECTROLYTIC CAPACITOR	CE04W10V-220M(UTSP)	1	397532217AT	

C1203	CHIP TYPE CERAMIC CAPACITOR	CK725B1C-104K0	1	332011045R1	
C1206	CHIP TYPE CERAMIC CAPACITOR	CK725B1H-472K0	1	332034725R1	
C1207	CHIP TYPE CERAMIC CAPACITOR	CK725B1H-223K0	1	332032235R1	
C1208	CHIP TYPE CERAMIC CAPACITOR	CK725B1E-473K0	1	332024735R1	
C1209	UTSP TYPE ELECTROLYTIC CAPACITOR	CE04W10V-220M(UTSP)	1	397532217AT	
C1210	CHIP TYPE CERAMIC CAPACITOR	CK725B1C-104K0	1	332011045R1	
C1211	CHIP TYPE CERAMIC CAPACITOR	CK725B1C-104K0	1	332011045R1	
C1212	CHIP TYPE CERAMIC CAPACITOR	CC725CH1H-150J0	1	342031504R1	
C1213	CHIP TYPE CERAMIC CAPACITOR	CC725CH1H-180J0	1	342031804R1	
C1214	CHIP TYPE CERAMIC CAPACITOR	CK725B1H-102K0	1	332031025R1	
C1215	CHIP TYPE CERAMIC CAPACITOR	CK725B1C-104K0	1	332011045R1	
C1216	CHIP TYPE CERAMIC CAPACITOR	CK725B1H-102K0	1	332031025R1	
C1217	UTSP TYPE ELECTROLYTIC CAPACITOR	CE04W10V-220M(UTSP)	1	397532217AT	
C1218	CHIP TYPE CERAMIC CAPACITOR	CK725B1C-104K0	1	332011045R1	
C1219	CHIP TYPE CERAMIC CAPACITOR	CK725B1H-472K0	1	332034725R1	
C1220	CHIP TYPE CERAMIC CAPACITOR	CK725B1H-223K0	1	332032235R1	
C1221	CHIP TYPE CERAMIC CAPACITOR	CK725B1E-473K0	1	332024735R1	
C1222	UTSP TYPE ELECTROLYTIC CAPACITOR	CE04W50V 47M(UTSP)	1	397584707AT	
C1223	CHIP TYPE CERAMIC CAPACITOR	CK725B1C-104K0	1	332011045R1	
C1224	UTSP TYPE ELECTROLYTIC CAPACITOR	CE04W10V-220M(UTSP)	1	397532217AT	
C1225	UTSP TYPE ELECTROLYTIC CAPACITOR	CE04W25V-47M(UTSP)	1	397554707AT	
C1226	UTSP TYPE ELECTROLYTIC CAPACITOR	CE04W25V-47M(UTSP)	1	397554707AT	
C1227	CHIP TYPE CERAMIC CAPACITOR	CK725B1C-104K0	1	332011045R1	
C1228	CHIP TYPE CERAMIC CAPACITOR	CK725B1C-104K0	1	332011045R1	
C1231	UTSP TYPE ELECTROLYTIC CAPACITOR	CE04W50V 47M(UTSP)	1	397584707AT	
C1235	CHIP TYPE CERAMIC CAPACITOR	CC725CH1H-330J0	1	342033304R1	
C1236	CHIP TYPE CERAMIC CAPACITOR	CC725CH1H-330J0	1	342033304R1	
C1241	CHIP TYPE CERAMIC CAPACITOR	CC725CH1H-330J0	1	342033304R1	
C1242	CHIP TYPE CERAMIC CAPACITOR	CC725CH1H-330J0	1	342033304R1	
C1243	UTSP TYPE ELECTROLYTIC CAPACITOR	CE04W10V-220M(UTSP)	1	397532217AT	
C1244	CHIP TYPE CERAMIC CAPACITOR	CK725B1H-102K0	1	332031025R1	
C1245	CHIP TYPE CERAMIC CAPACITOR	CK725B1H-102K0	1	332031025R1	
C1313	CHIP TYPE CERAMIC CAPACITOR	CK725B1H-102K0	1	332031025R1	
C1314	UTSP TYPE ELECTROLYTIC CAPACITOR	CE04W10V-220M(UTSP)	1	397532217AT	
C1315	CHIP TYPE PLASTIC FILM CAPACITOR	50ST104MA13216	1	376721047R2	
C1316	UTSP TYPE ELECTROLYTIC CAPACITOR	CE04W25V-220M(UTSP)	1	397552217T	
C1317	CHIP TYPE PLASTIC FILM CAPACITOR	50ST104MA13216	1	376721047R2	
C1318	UTSP TYPE ELECTROLYTIC CAPACITOR	CE04W50V-10M(UTSP)	1	397581007AT	
C1319	CHIP TYPE PLASTIC FILM CAPACITOR	50ST104MA13216	1	376721047R2	
C1320	UTSP TYPE ELECTROLYTIC CAPACITOR	CE04W10V-220M(UTSP)	1	397532217AT	
C1321	CHIP TYPE PLASTIC FILM CAPACITOR	50ST104MA13216	1	376721047R2	
C1322	UTSP TYPE ELECTROLYTIC CAPACITOR	CE04W50V-10M(UTSP)	1	397581007AT	
C1333	UTSP TYPE ELECTROLYTIC CAPACITOR	CE04W50V-10M(UTSP)	1	397581007AT	
C1334	CHIP TYPE PLASTIC FILM CAPACITOR	50ST104MA13216	1	376721047R2	
C1335	CHIP TYPE CERAMIC CAPACITOR	CK725B1C-104K0	1	332011045R1	
C1336	CHIP TYPE CERAMIC CAPACITOR	CK725B1A-105K0	1	332001055R1	
C1337	UTSP TYPE ELECTROLYTIC CAPACITOR	CE04W16V-470M(UTSP)	1	397544717T	
C1338	UTSP TYPE ELECTROLYTIC CAPACITOR	CE04W16V-470M(UTSP)	1	397544717T	
C1339	UTSP TYPE ELECTROLYTIC CAPACITOR	CE04W25V-220M(UTSP)	1	397552217T	
C1340	UTSP TYPE ELECTROLYTIC CAPACITOR	CE04W25V-220M(UTSP)	1	397552217T	
C1400	UMXR TYPE PLASTIC FILM CAPACITOR	1JUMXRTF392JE	1	376593924T	N
C1401	UMXR TYPE PLASTIC FILM CAPACITOR	1JUMXRTF392JE	1	376593924T	N
C1402	UMXR TYPE PLASTIC FILM CAPACITOR	1JUMXRTF392JE	1	376593924T	N
C1403	UMXR TYPE PLASTIC FILM CAPACITOR	1JUMXRTF392JE	1	376593924T	N
C1404	UMXR TYPE PLASTIC FILM CAPACITOR	1JUMXRTF392JE	1	376593924T	N
C1405	UMXR TYPE PLASTIC FILM CAPACITOR	1JUMXRTF392JE	1	376593924T	N
C1406	UMXR TYPE PLASTIC FILM CAPACITOR	1JUMXRTF392JE	1	376593924T	N
C1407	UMXR TYPE PLASTIC FILM CAPACITOR	1JUMXRTF392JE	1	376593924T	N
C1410	UPZ TYPE PLASTIC FILM CAPACITOR	2AUPZTF681JE	1	376336814T	
C1411	UPZ TYPE PLASTIC FILM CAPACITOR	2AUPZTF681JE	1	376336814T	
C1412	UPZ TYPE PLASTIC FILM CAPACITOR	2AUPZTF681JE	1	376336814T	
C1413	UPZ TYPE PLASTIC FILM CAPACITOR	2AUPZTF681JE	1	376336814T	
C1414	UPZ TYPE PLASTIC FILM CAPACITOR	2AUPZTF681JE	1	376336814T	
C1415	UPZ TYPE PLASTIC FILM CAPACITOR	2AUPZTF681JE	1	376336814T	
C1416	UPZ TYPE PLASTIC FILM CAPACITOR	2AUPZTF681JE	1	376336814T	
C1417	UPZ TYPE PLASTIC FILM CAPACITOR	2AUPZTF681JE	1	376336814T	
C1420	UPZ TYPE PLASTIC FILM CAPACITOR	2AUPZTF681JE	1	376336814T	
C1421	UPZ TYPE PLASTIC FILM CAPACITOR	2AUPZTF681JE	1	376336814T	
C1422	UPZ TYPE PLASTIC FILM CAPACITOR	2AUPZTF681JE	1	376336814T	
C1423	UPZ TYPE PLASTIC FILM CAPACITOR	2AUPZTF681JE	1	376336814T	
C1424	UPZ TYPE PLASTIC FILM CAPACITOR	2AUPZTF681JE	1	376336814T	

C1425	UPZ TYPE PLASTIC FILM CAPACITOR	2AUPZTF681JE	1	376336814T
C1426	UPZ TYPE PLASTIC FILM CAPACITOR	2AUPZTF681JE	1	376336814T
C1427	UPZ TYPE PLASTIC FILM CAPACITOR	2AUPZTF681JE	1	376336814T
C1430	UMXR TYPE PLASTIC FILM CAPACITOR	1JUMXRTF222JE	1	376592224T
C1431	UMXR TYPE PLASTIC FILM CAPACITOR	1JUMXRTF222JE	1	376592224T
C1440	UPZ TYPE PLASTIC FILM CAPACITOR	2AUPZTF471JE	1	376334714T
C1441	UPZ TYPE PLASTIC FILM CAPACITOR	2AUPZTF471JE	1	376334714T
C1450	UPZ TYPE PLASTIC FILM CAPACITOR	2AUPZTF101JE	1	376331014T
C1451	UPZ TYPE PLASTIC FILM CAPACITOR	2AUPZTF101JE	1	376331014T
C1460	UMXR TYPE PLASTIC FILM CAPACITOR	1JUMXRTF222JE	1	376592224T
C1461	UMXR TYPE PLASTIC FILM CAPACITOR	1JUMXRTF222JE	1	376592224T
[RESISTOR]				
R1000	CHIP TYPE CARBON RESISTOR	RN72K1J-221JE	1	435032214R1
R1001	CHIP TYPE CARBON RESISTOR	RN72K1J-750JE	1	435037504R1
R1002	CHIP TYPE CARBON RESISTOR	RN72K1J-750JE	1	435037504R1
R1003	CHIP TYPE CARBON RESISTOR	RN72K1J-100JE	1	435031004R1
R1006	CHIP TYPE CARBON RESISTOR	RN72K1J-470JE	1	435034704R1
R1007	CHIP TYPE CARBON RESISTOR	RN72K1J-470JE	1	435034704R1
R1008	CHIP TYPE CARBON RESISTOR	RN72K1J-470JE	1	435034704R1
R1009	CHIP TYPE CARBON RESISTOR	RN72K1J-823JE	1	435038234R1
R1010	CHIP TYPE CARBON RESISTOR	RN72K1J-103JE	1	435031034R1
R1011	CHIP TYPE CARBON RESISTOR	RN72K1J-823JE	1	435038234R1
R1012	CHIP TYPE CARBON RESISTOR	RN72K1J-103JE	1	435031034R1
R1013	CHIP TYPE CARBON RESISTOR	RN72K1J-100JE	1	435031004R1
R1100	CHIP TYPE CARBON RESISTOR	RN72K1J-473JE	1	435034734R1
R1200	CHIP TYPE CARBON RESISTOR	RN72K1J-331JE	1	435033314R1
R1201	CHIP TYPE CARBON RESISTOR	RN72K1J-331JE	1	435033314R1
R1202	CHIP TYPE CARBON RESISTOR	RN72K1J-331JE	1	435033314R1
R1203	CHIP TYPE CARBON RESISTOR	RN72K1J-331JE	1	435033314R1
R1204	CHIP TYPE CARBON RESISTOR	RN72K1J-331JE	1	435033314R1
R1205	CHIP TYPE CARBON RESISTOR	RN72K1J-331JE	1	435033314R1
R1206	CHIP TYPE CARBON RESISTOR	RN72K1J-331JE	1	435033314R1
R1207	CHIP TYPE CARBON RESISTOR	RN72K1J-221JE	1	435032214R1
R1208	CHIP TYPE CARBON RESISTOR	RN72K1J-103JE	1	435031034R1
R1209	CHIP TYPE CARBON RESISTOR	RN72K1J-103JE	1	435031034R1
R1210	CHIP TYPE CARBON RESISTOR	RN72K1J-221JE	1	435032214R1
R1211	CHIP TYPE CARBON RESISTOR	RN72K1J-681JE	1	435036814R1
R1212	CHIP TYPE CARBON RESISTOR	RN72K1J-682JE	1	435036824R1
R1213	CHIP TYPE CARBON RESISTOR	RN72K1J-682JE	1	435036824R1
R1214	CHIP TYPE CARBON RESISTOR	RN72K1J-393JE	1	435033934R1
R1215	CHIP TYPE CARBON RESISTOR	RN72K1J-393JE	1	435033934R1
R1216	CHIP TYPE CARBON RESISTOR	RN72K1J-470JE	1	435034704R1
R1219	CHIP TYPE CARBON RESISTOR	RN72K1J-103JE	1	435031034R1
R1220	CHIP TYPE CARBON RESISTOR	RN72K1J-221JE	1	435032214R1
R1221	CHIP TYPE CARBON RESISTOR	RN72K1J-103JE	1	435031034R1
R1222	CHIP TYPE CARBON RESISTOR	RN72K1J-221JE	1	435032214R1
R1223	CHIP TYPE CARBON RESISTOR	RN72K1J-221JE	1	435032214R1
R1224	CHIP TYPE CARBON RESISTOR	RN72K1J-221JE	1	435032214R1
R1225	CHIP TYPE CARBON RESISTOR	RN72K1J-750JE	1	435037504R1
R1226	CHIP TYPE CARBON RESISTOR	RN72K1J-151JE	1	435031514R1
R1227	CHIP TYPE CARBON RESISTOR	RN72K1J-331JE	1	435033314R1
R1228	CHIP TYPE CARBON RESISTOR	RN72K1J-331JE	1	435033314R1
R1229	CHIP TYPE CARBON RESISTOR	RN72K1J-101JE	1	435031014R1
R1230	CHIP TYPE CARBON RESISTOR	RN72K1J-470JE	1	435034704R1
R1231	CHIP TYPE CARBON RESISTOR	RN72K1J-470JE	1	435034704R1
R1232	CHIP TYPE CARBON RESISTOR	RN72K1J-470JE	1	435034704R1
R1233	CHIP TYPE CARBON RESISTOR	RN72K1J-151JE	1	435031514R1
R1234	CHIP TYPE CARBON RESISTOR	RN72K1J-331JE	1	435033314R1
R1235	CHIP TYPE CARBON RESISTOR	RN72K1J-470JE	1	435034704R1
R1236	CHIP TYPE CARBON RESISTOR	RN72K1J-331JE	1	435033314R1
R1237	CHIP TYPE CARBON RESISTOR	RN72K1J-105JE	1	435031054R1
R1238	CHIP TYPE CARBON RESISTOR	RN72K1J-102JE	1	435031024R1
R1239	CHIP TYPE CARBON RESISTOR	RN72K1J-560JE	1	435035604R1
R1240	CHIP TYPE CARBON RESISTOR	RN72K1J-331JE	1	435033314R1
R1241	CHIP TYPE CARBON RESISTOR	RN72K1J-331JE	1	435033314R1
R1242	CHIP TYPE CARBON RESISTOR	RN72K1J-331JE	1	435033314R1
R1243	CHIP TYPE CARBON RESISTOR	RN72K1J-331JE	1	435033314R1
R1244	CHIP TYPE CARBON RESISTOR	RN72K1J-331JE	1	435033314R1
R1245	CHIP TYPE CARBON RESISTOR	RN72K1J-331JE	1	435033314R1
R1246	CHIP TYPE CARBON RESISTOR	RN72K1J-331JE	1	435033314R1
R1247	CHIP TYPE CARBON RESISTOR	RN72K1J-221JE	1	435032214R1

R1442	CHIP TYPE CARBON RESISTOR	RN72K1J-151JE	1	435031514R1
R1443	CHIP TYPE CARBON RESISTOR	RN72K1J-151JE	1	435031514R1
R1444	CHIP TYPE CARBON RESISTOR	RN72K1J-151JE	1	435031514R1
R1445	CHIP TYPE CARBON RESISTOR	RN72K1J-151JE	1	435031514R1
R1446	CHIP TYPE CARBON RESISTOR	RN72K1J-151JE	1	435031514R1
R1447	CHIP TYPE CARBON RESISTOR	RN72K1J-151JE	1	435031514R1
R1450	CHIP TYPE CARBON RESISTOR	RN72K1J-151JE	1	435031514R1
R1451	CHIP TYPE CARBON RESISTOR	RN72K1J-151JE	1	435031514R1
R1452	CHIP TYPE CARBON RESISTOR	RN72K1J-151JE	1	435031514R1
R1453	CHIP TYPE CARBON RESISTOR	RN72K1J-151JE	1	435031514R1
R1454	CHIP TYPE CARBON RESISTOR	RN72K1J-151JE	1	435031514R1
R1455	CHIP TYPE CARBON RESISTOR	RN72K1J-151JE	1	435031514R1
R1456	CHIP TYPE CARBON RESISTOR	RN72K1J-151JE	1	435031514R1
R1457	CHIP TYPE CARBON RESISTOR	RN72K1J-151JE	1	435031514R1
R1460	CHIP TYPE CARBON RESISTOR	RN72K1J-472JE	1	435034724R1
R1461	CHIP TYPE CARBON RESISTOR	RN72K1J-472JE	1	435034724R1
R1470	CHIP TYPE CARBON RESISTOR	RN72K1J-222JE	1	435032224R1
R1471	CHIP TYPE CARBON RESISTOR	RN72K1J-222JE	1	435032224R1
R1480	CHIP TYPE CARBON RESISTOR	RN72K1J-472JE	1	435034724R1
R1481	CHIP TYPE CARBON RESISTOR	RN72K1J-472JE	1	435034724R1
R1490	CHIP TYPE CARBON RESISTOR	RN72K1J-472JE	1	435034724R1
R1491	CHIP TYPE CARBON RESISTOR	RN72K1J-472JE	1	435034724R1
R1500	CHIP TYPE CARBON RESISTOR	RN72K1J-472JE	1	435034724R1
R1501	CHIP TYPE CARBON RESISTOR	RN72K1J-472JE	1	435034724R1
R1510	CHIP TYPE CARBON RESISTOR	RN72K1J-681JE	1	435036814R1
R1511	CHIP TYPE CARBON RESISTOR	RN72K1J-681JE	1	435036814R1
R1520	CHIP TYPE CARBON RESISTOR	RN72K1J-102JE	1	435031024R1
R1521	CHIP TYPE CARBON RESISTOR	RN72K1J-102JE	1	435031024R1
R1530	CHIP TYPE CARBON RESISTOR	RN72K1J-152JE	1	435031524R1
R1531	CHIP TYPE CARBON RESISTOR	RN72K1J-152JE	1	435031524R1
R1540	CHIP TYPE CARBON RESISTOR	RN72K1J-682JE	1	435036824R1
R1541	CHIP TYPE CARBON RESISTOR	RN72K1J-682JE	1	435036824R1
R1550	CHIP TYPE CARBON RESISTOR	RN72K1J-152JE	1	435031524R1
R1551	CHIP TYPE CARBON RESISTOR	RN72K1J-152JE	1	435031524R1
R1560	CHIP TYPE CARBON RESISTOR	RN72K1J-331JE	1	435033314R1
R1561	CHIP TYPE CARBON RESISTOR	RN72K1J-331JE	1	435033314R1
R1570	CHIP TYPE CARBON RESISTOR	RN72K1J-331JE	1	435033314R1
R1571	CHIP TYPE CARBON RESISTOR	RN72K1J-331JE	1	435033314R1

[SW TRM]

P1000	TRM-423(SCREW)	NEJITANSI ST3	1	25060495
P1001	ST JACK	MSJ-035-22	1	25045887
P1002	PIN JACK	NPJ-2PDO0626	1	25045847
P1003	TRM-423(SCREW)	NEJITANSI ST3	1	25060495
P1004	TRM-423(SCREW)	NEJITANSI ST3	1	25060495
P1008B	PLUG	IMSA-9142B-24A	1	25056602
P8002B	SOCKET(B to B)	IMSA-9850S-24Y	1	25052815R2
P8003B	SOCKET(B to B)	IMSA-9850S-24Y	1	25052815R2

[TUNER UNIT]

U1000	PHOTO COUPLER	JSR1165-001recieving	1	24120143
U1001	PHOTO COUPLER	JSR1165-001recieving	1	24120143
U1002	PHOTO COUPLER	JSR1165-001recieving	1	24120143

U006

BADIS-1810-1A : NSP

CIRCUIT NCPART NAME DESCRIPTION Q'TY PART NO. (SN) REMARKS

[SEMI CONDUCTOR]

D7500	ZENER DIODE	DZ2J082M0L	1	224760820R2
D7501	ZENER DIODE	DZ2J039M0L	1	224760390R2
D7502	LED	HLMP-Y701	1	225528
D7502A	HOLDER	(LED)LH-5-5	1	27191312
D7530	ZENER DIODE	DZ2J051M0L	1	224760510R2
D7533	ZENER DIODE	DZ2J068M0L	1	224760680R2
D7534	ZENER DIODE	DZ2J068M0L	1	224760680R2
D7580	CHIP TYPE DIODE	DA2J10100	1	223303R2
D7581	CHIP TYPE DIODE	DA2J10100	1	223303R2
D7582	CHIP TYPE DIODE	DA2J10100	1	223303R2
D7583	CHIP TYPE DIODE	DA2J10100	1	223303R2
D7591	LED	SCB3318E-D2	1	225487

D7592	LED	HLMP-Y701	1	225528
D7592A	HOLDER	(LED)LH-5-5	1	27191312
D7593	LED	SCB3318E-D2	1	225487
Q1	HYBRID IC	RZ5B801-0001E2	1	22242835R2
Q7505	TRANSISTOR	KTC3875-GR	1	2216175R2
Q7511	TRANSISTOR	KRC107S	1	2216340R2
Q7512	TRANSISTOR	KTA1661-Y	1	2217864R2
Q7520	HYBRID IC	BU2090F-E2	1	22242686R2
Q7530	HYBRID IC	NJM4580CG	1	22242922R2
Q7532	TRANSISTOR	RTAN430C-T112-1	1	2217780R2
Q7533	TRANSISTOR	RN2403	1	2214540R2
Q7561	REMOTE SENSOR	IRM-3638M3S28	1	24130026
Q7650A	HOLDER	(FL)	1	27191370
Q7650Aor	HOLDER	(FL)	(1)	27191303
Q7801	FLUORESCENT TUBE	16-BT-165GINK	1	212276
Q7802	TRANSISTOR	2SC2712-GR	1	2213145R2
Q7803	TRANSISTOR	2SC2712-GR	1	2213145R2
[TRANS COIL]				
L1	CHIP TYPE CARBON RESISTOR	RN72K1J-000JE	1	435030004R1
L2	CHIP TYPE CARBON RESISTOR	RN72K1J-000JE	1	435030004R1
L3	RF COIL	SDCL1608CR33JTDF	1	233557R1
L3 or	RF COIL	HK1608R33J-T	(1)	233559R1
L4	RF COIL	SDCL1608CR10JTDF	1	233556R1
L4 or	RF COIL	HK1608R10J-T	(1)	233558R1
L5	ANTENNA COIL	K7-D	1	232212
L7530	CHOKE COIL	LBC2518T2R2M	1	231364M022R2
L7531	CHOKE COIL	LBC2518T2R2M	1	231364M022R2
L7580	CHOKE COIL	LBC2518T2R2M	1	231364M022R2
L7581	CHOKE COIL	LBC2518T2R2M	1	231364M022R2
L7582	CHOKE COIL	LBC2518T2R2M	1	231364M022R2
L7801	CHOKE COIL	LBC2518T2R2M	1	231364M022R2
L7802	CHOKE COIL	LBC2518T2R2M	1	231364M022R2
X1	CRYSTAL	HC-49S 9B12.000MHz	1	3010533
[CAPACITOR]				
C1	CHIP TYPE CERAMIC CAPACITOR	CC725CH1H-101J1	1	342101014R1
C12	CHIP TYPE CERAMIC CAPACITOR	CC725CH1H-090D1	1	342100902R1
C13	CHIP TYPE CERAMIC CAPACITOR	CK725B1C-104K1	1	332121045R1
C2	CHIP TYPE CERAMIC CAPACITOR	CC725CH1H-220J1	1	342102204R1
C3	CHIP TYPE CERAMIC CAPACITOR	CK725B1H-332K1	1	332103325R1
C4	CHIP TYPE CERAMIC CAPACITOR	CC725CH1H-100D1	1	342101002R1
C5	CHIP TYPE CERAMIC CAPACITOR	CK725B1H-473K1	1	332104735R1
C6	CHIP TYPE CERAMIC CAPACITOR	CK725B1H-222K1	1	332102225R1
C7	CHIP TYPE CERAMIC CAPACITOR	CK725B1A-105K1	1	332131055R1
C7500	CHIP TYPE CERAMIC CAPACITOR	CK725B1H-223K1	1	332102235R1
C7501	CHIP TYPE CERAMIC CAPACITOR	CK725B1H-223K1	1	332102235R1
C7502	CHIP TYPE CERAMIC CAPACITOR	CK725B1H-223K1	1	332102235R1
C7503	CHIP TYPE CERAMIC CAPACITOR	CK725B1H-223K1	1	332102235R1
C7504	CHIP TYPE CERAMIC CAPACITOR	CK725B1H-223K1	1	332102235R1
C7506	ELECTROLYTIC CAPACITOR	CE04W16V-47M(S)	1	353744709T
C7508	ELECTROLYTIC CAPACITOR	CE04W6.3V-100M(S)	1	353721019T
C7509	ELECTROLYTIC CAPACITOR	CE04W16V-10M(S)	1	353741009T
C7511	CHIP TYPE CERAMIC CAPACITOR	CC725CH1H-101J1	1	342101014R1
C7512	CHIP TYPE CERAMIC CAPACITOR	CC725CH1H-101J1	1	342101014R1
C7513	CHIP TYPE CERAMIC CAPACITOR	CC725CH1H-101J1	1	342101014R1
C7514	CHIP TYPE CERAMIC CAPACITOR	CK725F1E-104Z1	1	332161040R1
C7517	TF TYPE PLASTIC FILM CAPACITOR	EQC-V50V-474J	1	374724744T
C7517 or	FILM C	C281H474J20A21A	(1)	376824744T
C7522	CHIP TYPE CERAMIC CAPACITOR	CK725F1A-105Z1	1	332181050R1
C7525	CHIP TYPE CERAMIC CAPACITOR	CC725CH1H-101J1	1	342101014R1
C7526	CHIP TYPE CERAMIC CAPACITOR	CC725CH1H-101J1	1	342101014R1
C7532	CHIP TYPE CERAMIC CAPACITOR	CC725CH1H-101J1	1	342101014R1
C7533	ELECTROLYTIC CAPACITOR	CE04W16V-47M(S)	1	353744709T
C7534	ELECTROLYTIC CAPACITOR	CE04W16V-47M(S)	1	353744709T
C7535	ELECTROLYTIC CAPACITOR	CE04W50V-10M	1	355781009T
C7536	ELECTROLYTIC CAPACITOR	CE04W16V-47M(S)	1	353744709T
C7537	CHIP TYPE CERAMIC CAPACITOR	CC725CH1H-330J1	1	342103304R1
C7538	ELECTROLYTIC CAPACITOR	CE04W35V-10M(S)	1	353761009T
C7539	CHIP TYPE CERAMIC CAPACITOR	CK725B1H-104K1	1	332101045R1
C7543	CHIP TYPE CERAMIC CAPACITOR	CK725F1E-104Z1	1	332161040R1
C7544	CHIP TYPE CERAMIC CAPACITOR	CK725F1E-104Z1	1	332161040R1
C7561	ELECTROLYTIC CAPACITOR	CE04W16V-10M(S)	1	353741009T

C7563	CHIP TYPE CERAMIC CAPACITOR	CK725B1H-102K1	1	332101025R1
C7567	CHIP TYPE CERAMIC CAPACITOR	CK725B1H-103K1	1	332101035R1
C7568	CHIP TYPE CERAMIC CAPACITOR	CK725B1H-103K1	1	332101035R1
C7571	CHIP TYPE CERAMIC CAPACITOR	CK725B1H-103K1	1	332101035R1
C7572	CHIP TYPE CERAMIC CAPACITOR	CK725B1H-103K1	1	332101035R1
C7573	CHIP TYPE CERAMIC CAPACITOR	CK725B1H-103K1	1	332101035R1
C7574	CHIP TYPE CERAMIC CAPACITOR	CK725B1H-103K1	1	332101035R1
C7580	CHIP TYPE CERAMIC CAPACITOR	CC725CH1H-102J1	1	342101024R1
C7581	UMXR TYPE PLASTIC FILM CAPACITOR	1JUMXRTF102JE	1	376591024T
C7582	UMXR TYPE PLASTIC FILM CAPACITOR	1JUMXRTF102JE	1	376591024T
C7583	CHIP TYPE CERAMIC CAPACITOR	CC725CH1H-102J1	1	342101024R1
C7801	CHIP TYPE CERAMIC CAPACITOR	CK725F1E-104Z1	1	332161040R1
C7806	CHIP TYPE CERAMIC CAPACITOR	CK725B1H-104K1	1	332101045R1
C7807	CHIP TYPE CERAMIC CAPACITOR	CK725B1H-104K1	1	332101045R1
C8	CHIP TYPE CERAMIC CAPACITOR	CK725B1A-105K1	1	332131055R1
C9	CHIP TYPE CERAMIC CAPACITOR	CK732B16V-106K	1	332071065R2
[RESISTOR]				
R10	CHIP TYPE CARBON RESISTOR	RN72K1J-000JE	1	435030004R1
R11	CHIP TYPE CARBON RESISTOR	RN72K1J-000JE	1	435030004R1
R13	CHIP TYPE CARBON RESISTOR	RN72K1J-000JE	1	435030004R1
R14	CHIP TYPE CARBON RESISTOR	RN72K1J-000JE	1	435030004R1
R2	CHIP TYPE CARBON RESISTOR	RN72K1J-101JE	1	435031014R1
R21	CHIP TYPE CARBON RESISTOR	RN72K2E-000JE	1	435220004R1
R22	CHIP TYPE CARBON RESISTOR	RN72K2E-000JE	1	435220004R1
R3	EMI SUPPRESSION FILTER	BK1608HS601-T	1	230984R1
R4	EMI SUPPRESSION FILTER	BK1608HS601-T	1	230984R1
R5	CHIP TYPE CARBON RESISTOR	RN72K1J-103JE	1	435031034R1
R6	CHIP TYPE CARBON RESISTOR	RN72K1J-472JE	1	435034724R1
R7	CHIP TYPE CARBON RESISTOR	RN72K1J-472JE	1	435034724R1
R7500	CHIP TYPE CARBON RESISTOR	RN72K2E-221JE	1	435222214R1
R7501	CHIP TYPE CARBON RESISTOR	RN72K2E-221JE	1	435222214R1
R7502	CHIP TYPE CARBON RESISTOR	RN72K1J-102JE	1	435031024R1
R7505	CHIP TYPE CARBON RESISTOR	RN72K1J-221JE	1	435032214R1
R7511	CHIP TYPE CARBON RESISTOR	RN72K1J-221JE	1	435032214R1
R7512	CHIP TYPE CARBON RESISTOR	RN72K1J-221JE	1	435032214R1
R7513	CHIP TYPE CARBON RESISTOR	RN72K1J-332JE	1	435033324R1
R7514	CHIP TYPE CARBON RESISTOR	RN72K1J-332JE	1	435033324R1
R7515	CHIP TYPE CARBON RESISTOR	RN72K1J-473JE	1	435034734R1
R7516	CHIP TYPE CARBON RESISTOR	RN72K1J-103JE	1	435031034R1
R7517	CHIP TYPE CARBON RESISTOR	RN72K1J-103JE	1	435031034R1
R7518	CHIP TYPE CARBON RESISTOR	RN72K1J-224JE	1	435032244R1
R7520	CHIP TYPE CARBON RESISTOR	RN72K1J-331JE	1	435033314R1
R7521	CHIP TYPE CARBON RESISTOR	RN72K1J-331JE	1	435033314R1
R7530	CHIP TYPE CARBON RESISTOR	RN72K1J-101JE	1	435031014R1
R7531	CHIP TYPE CARBON RESISTOR	RN72K1J-331JE	1	435033314R1
R7532	CHIP TYPE CARBON RESISTOR	RN72K1J-821JE	1	435038214R1
R7533	CHIP TYPE CARBON RESISTOR	RN72K1J-472JE	1	435034724R1
R7534	CHIP TYPE CARBON RESISTOR	RN72K1J-104JE	1	435031044R1
R7535	CHIP TYPE CARBON RESISTOR	RN72K1J-102JE	1	435031024R1
R7536	CHIP TYPE CARBON RESISTOR	RN72K1J-333JE	1	435033334R1
R7537	CHIP TYPE CARBON RESISTOR	RN72K1J-333JE	1	435033334R1
R7538	CHIP TYPE CARBON RESISTOR	RN72K1J-471JE	1	435034714R1
R7539	CHIP TYPE CARBON RESISTOR	RN72K1J-000JE	1	435030004R1
R7540	CHIP TYPE CARBON RESISTOR	RN72K1J-473JE	1	435034734R1
R7545	CHIP TYPE CARBON RESISTOR	RN72K1J-221JE	1	435032214R1
R7546	CHIP TYPE CARBON RESISTOR	RN72K1J-221JE	1	435032214R1
R7553	CHIP TYPE CARBON RESISTOR	RN72K1J-224JE	1	435032244R1
R7556	CHIP TYPE CARBON RESISTOR	RN72K1J-181JE	1	435031814R1
R7557	CHIP TYPE CARBON RESISTOR	RN72K1J-181JE	1	435031814R1
R7561	CHIP TYPE CARBON RESISTOR	RN72K1J-101JE	1	435031014R1
R7562	CHIP TYPE CARBON RESISTOR	RN72K1J-222JE	1	435032224R1
R7563	CHIP TYPE CARBON RESISTOR	RN72K1J-103JE	1	435031034R1
R7564	CHIP TYPE CARBON RESISTOR	RN72K1J-103JE	1	435031034R1
R7565	CHIP TYPE CARBON RESISTOR	RN72K1J-103JE	1	435031034R1
R7566	CHIP TYPE CARBON RESISTOR	RN72K1J-103JE	1	435031034R1
R7571	CHIP TYPE CARBON RESISTOR	RN72K1J-103JE	1	435031034R1
R7572	CHIP TYPE CARBON RESISTOR	RN72K1J-103JE	1	435031034R1
R7573	CHIP TYPE CARBON RESISTOR	RN72K1J-103JE	1	435031034R1
R7574	CHIP TYPE CARBON RESISTOR	RN72K1J-103JE	1	435031034R1
R7575	CHIP TYPE CARBON RESISTOR	RN72K1J-103JE	1	435031034R1
R7576	CHIP TYPE CARBON RESISTOR	RN72K1J-103JE	1	435031034R1

R7577	CHIP TYPE CARBON RESISTOR	RN72K1J-103JE	1	435031034R1
R7578	CHIP TYPE CARBON RESISTOR	RN72K1J-103JE	1	435031034R1
R7580	METAL OXIDE FILM RESISTOR	RS1/2WBJ-390	1	443523914T
R7581	METAL OXIDE FILM RESISTOR	RS1/2WBJ-390	1	443523914T
R7591	CHIP TYPE CARBON RESISTOR	RN72K1J-392JE	1	435033924R1
R7592	CHIP TYPE CARBON RESISTOR	RN72K1J-272JE	1	435032724R1
R7593	CHIP TYPE CARBON RESISTOR	RN72K1J-392JE	1	435033924R1
R7601	CHIP TYPE CARBON RESISTOR	RN72K1J-271JE	1	435032714R1
R7602	CHIP TYPE CARBON RESISTOR	RN72K1J-331JE	1	435033314R1
R7603	CHIP TYPE CARBON RESISTOR	RN72K1J-471JE	1	435034714R1
R7604	CHIP TYPE CARBON RESISTOR	RN72K1J-561JE	1	435035614R1
R7605	CHIP TYPE CARBON RESISTOR	RN72K1J-821JE	1	435038214R1
R7606	CHIP TYPE CARBON RESISTOR	RN72K1J-122JE	1	435031224R1
R7607	CHIP TYPE CARBON RESISTOR	RN72K1J-222JE	1	435032224R1
R7608	CHIP TYPE CARBON RESISTOR	RN72K1J-392JE	1	435033924R1
R7609	CHIP TYPE CARBON RESISTOR	RN72K1J-123JE	1	435031234R1
R7611	CHIP TYPE CARBON RESISTOR	RN72K1J-271JE	1	435032714R1
R7612	CHIP TYPE CARBON RESISTOR	RN72K1J-331JE	1	435033314R1
R7613	CHIP TYPE CARBON RESISTOR	RN72K1J-471JE	1	435034714R1
R7614	CHIP TYPE CARBON RESISTOR	RN72K1J-561JE	1	435035614R1
R7615	CHIP TYPE CARBON RESISTOR	RN72K1J-821JE	1	435038214R1
R7616	CHIP TYPE CARBON RESISTOR	RN72K1J-122JE	1	435031224R1
R7617	CHIP TYPE CARBON RESISTOR	RN72K1J-222JE	1	435032224R1
R7618	CHIP TYPE CARBON RESISTOR	RN72K1J-392JE	1	435033924R1
R7619	CHIP TYPE CARBON RESISTOR	RN72K1J-123JE	1	435031234R1
R7621	CHIP TYPE CARBON RESISTOR	RN72K1J-271JE	1	435032714R1
R7622	CHIP TYPE CARBON RESISTOR	RN72K1J-331JE	1	435033314R1
R7623	CHIP TYPE CARBON RESISTOR	RN72K1J-471JE	1	435034714R1
R7624	CHIP TYPE CARBON RESISTOR	RN72K1J-561JE	1	435035614R1
R7625	CHIP TYPE CARBON RESISTOR	RN72K1J-821JE	1	435038214R1
R7626	CHIP TYPE CARBON RESISTOR	RN72K1J-122JE	1	435031224R1
R7627	CHIP TYPE CARBON RESISTOR	RN72K1J-222JE	1	435032224R1
R7628	CHIP TYPE CARBON RESISTOR	RN72K1J-392JE	1	435033924R1
R7629	CHIP TYPE CARBON RESISTOR	RN72K1J-123JE	1	435031234R1
R7631	CHIP TYPE CARBON RESISTOR	RN72K1J-271JE	1	435032714R1
R7632	CHIP TYPE CARBON RESISTOR	RN72K1J-331JE	1	435033314R1
R7633	CHIP TYPE CARBON RESISTOR	RN72K1J-471JE	1	435034714R1
R7634	CHIP TYPE CARBON RESISTOR	RN72K1J-561JE	1	435035614R1
R7635	CHIP TYPE CARBON RESISTOR	RN72K1J-821JE	1	435038214R1
R7801	CHIP TYPE CARBON RESISTOR	RN72K1J-333JE	1	435033334R1
R7805	CHIP TYPE CARBON RESISTOR	RN72K1J-101JE	1	435031014R1
R7806	CHIP TYPE CARBON RESISTOR	RN72K1J-104JE	1	435031044R1
R7807	CHIP TYPE CARBON RESISTOR	RN72K1J-333JE	1	435033334R1
R7808	CHIP TYPE CARBON RESISTOR	RN72K1J-101JE	1	435031014R1
R7809	CHIP TYPE CARBON RESISTOR	RN72K1J-104JE	1	435031044R1
R7810	CHIP TYPE CARBON RESISTOR	RN72K1J-333JE	1	435033334R1
R7811	NON-FLAMMABLE CARBON FILM RESISTOR	R25J-10	1	415471004T
R7812	NON-FLAMMABLE CARBON FILM RESISTOR	R25J-10	1	415471004T
R8	CHIP TYPE CARBON RESISTOR	RN72K1J-101JE	1	435031014R1
R9	CHIP TYPE CARBON RESISTOR	RN72K1J-101JE	1	435031014R1
[SW TRM]				
E7580	CRIMP CORD ASSEMBLY	CRIMP AS	1	2061943081UL
P1	TERMINAL	NTM-1PDSC437	1	25060515
P101A	SOCKET	NSCT-7P2100	1	25052203
P2	TERMINAL	NTM-2PDML439	1	25060517
P6605B	PLUG	NPLG-5P119	1	25055135
P7002B	SOCKET	NSCT-27P2445	1	25052548
P7530	ST JACK	MSJ-035-05C B AG SR type	1	25045879
P7580	ST JACK	MSJ-064-05A SR	1	25045783
P7590A	WIRE HOL	NSCT-7P878	1	25051091
P7590Aor	WIRE HOL	CHD-1.5-7	(1)	25053537
P7590B	WIRE HOL	NSCT-7P878	1	25051091
P7590Bor	WIRE HOL	CHD-1.5-7	(1)	25053537
P7591A	SOCKET	NSCT-15P2249	1	25052352
P7591B	SOCKET	NSCT-15P2249	1	25052352
P7592A	WIRE HOL	NSCT-5P876	1	25051089
P7592Aor	WIRE HOL	CHD-1.5-5	(1)	25053536
P7592B	WIRE HOL	NSCT-5P876	1	25051089
P7592Bor	WIRE HOL	CHD-1.5-5	(1)	25053536
P7594A	WIRE HOL	NSCT-3P874	1	25051087
P7594Aor	WIRE HOL	CHD-1.5-3	(1)	25053535

P7594B	WIRE HOL	NSCT-3P874	1	25051087	
P7594Bor	WIRE HOL	CHD-1.5-3	(1)	25053535	
P9303	WIRE HARNESS ASSEMBLY	NSAS-9P2143	1	2009991332UL	N
P9303A	WIRE HOL	NSCT-9P880	1	25051093	
P9303Aor	WIRE HOL	CHD-1.5-9	(1)	25053538	
S7561	ROTARY ENCODER	EC12E2425WITH WASHER	1	25065655W	
S7571	ROTARY ENCODER	EVEHD1F3024B	1	25065695W	
S7572	ROTARY ENCODER	EVEHD1F3024B	1	25065695W	
S7600	PUSH SWITCH	NPS-111-S681	1	25035718T	
S7600 or	PUSH SWITCH	NPS-111-S677	(1)	25035714T	
S7601	PUSH SWITCH	NPS-111-S681	1	25035718T	
S7601 or	PUSH SWITCH	NPS-111-S677	(1)	25035714T	
S7602	PUSH SWITCH	NPS-111-S681	1	25035718T	
S7603	PUSH SWITCH	NPS-111-S681	1	25035718T	
S7604	PUSH SWITCH	NPS-111-S681	1	25035718T	
S7605	PUSH SWITCH	NPS-111-S681	1	25035718T	
S7605 or	PUSH SWITCH	NPS-111-S677	(1)	25035714T	
S7606	PUSH SWITCH	NPS-111-S681	1	25035718T	
S7606 or	PUSH SWITCH	NPS-111-S677	(1)	25035714T	
S7607	PUSH SWITCH	NPS-111-S681	1	25035718T	
S7607 or	PUSH SWITCH	NPS-111-S677	(1)	25035714T	
S7608	PUSH SWITCH	NPS-111-S681	1	25035718T	
S7608 or	PUSH SWITCH	NPS-111-S677	(1)	25035714T	
S7609	PUSH SWITCH	NPS-111-S681	1	25035718T	
S7609 or	PUSH SWITCH	NPS-111-S677	(1)	25035714T	
S7610	PUSH SWITCH	NPS-111-S681	1	25035718T	
S7610 or	PUSH SWITCH	NPS-111-S677	(1)	25035714T	
S7611	PUSH SWITCH	NPS-111-S681	1	25035718T	
S7611 or	PUSH SWITCH	NPS-111-S677	(1)	25035714T	
S7612	PUSH SWITCH	NPS-111-S681	1	25035718T	
S7612 or	PUSH SWITCH	NPS-111-S677	(1)	25035714T	
S7613	PUSH SWITCH	NPS-111-S681	1	25035718T	
S7613 or	PUSH SWITCH	NPS-111-S677	(1)	25035714T	
S7614	PUSH SWITCH	NPS-111-S681	1	25035718T	
S7614 or	PUSH SWITCH	NPS-111-S677	(1)	25035714T	
S7615	PUSH SWITCH	NPS-111-S681	1	25035718T	
S7615 or	PUSH SWITCH	NPS-111-S677	(1)	25035714T	
S7616	PUSH SWITCH	NPS-111-S681	1	25035718T	
S7616 or	PUSH SWITCH	NPS-111-S677	(1)	25035714T	
S7617	PUSH SWITCH	NPS-111-S681	1	25035718T	
S7617 or	PUSH SWITCH	NPS-111-S677	(1)	25035714T	
S7618	PUSH SWITCH	NPS-111-S681	1	25035718T	
S7618 or	PUSH SWITCH	NPS-111-S677	(1)	25035714T	
S7619	PUSH SWITCH	NPS-111-S681	1	25035718T	
S7619 or	PUSH SWITCH	NPS-111-S677	(1)	25035714T	
S7620	PUSH SWITCH	NPS-111-S681	1	25035718T	
S7620 or	PUSH SWITCH	NPS-111-S677	(1)	25035714T	
S7621	PUSH SWITCH	NPS-111-S681	1	25035718T	
S7621 or	PUSH SWITCH	NPS-111-S677	(1)	25035714T	
S7622	PUSH SWITCH	NPS-111-S681	1	25035718T	
S7622 or	PUSH SWITCH	NPS-111-S677	(1)	25035714T	
S7623	PUSH SWITCH	NPS-111-S681	1	25035718T	
S7623 or	PUSH SWITCH	NPS-111-S677	(1)	25035714T	
S7624	PUSH SWITCH	NPS-111-S681	1	25035718T	
S7624 or	PUSH SWITCH	NPS-111-S677	(1)	25035714T	
S7625	PUSH SWITCH	NPS-111-S681	1	25035718T	
S7625 or	PUSH SWITCH	NPS-111-S677	(1)	25035714T	
S7626	PUSH SWITCH	NPS-111-S681	1	25035718T	
S7626 or	PUSH SWITCH	NPS-111-S677	(1)	25035714T	
S7627	PUSH SWITCH	NPS-111-S681	1	25035718T	
S7627 or	PUSH SWITCH	NPS-111-S677	(1)	25035714T	
S7628	PUSH SWITCH	NPS-111-S681	1	25035718T	
S7628 or	PUSH SWITCH	NPS-111-S677	(1)	25035714T	
S7629	PUSH SWITCH	NPS-111-S681	1	25035718T	
S7629 or	PUSH SWITCH	NPS-111-S677	(1)	25035714T	
S7630	PUSH SWITCH	NPS-111-S681	1	25035718T	
S7630 or	PUSH SWITCH	NPS-111-S677	(1)	25035714T	
S7631	PUSH SWITCH	NPS-111-S681	1	25035718T	
S7631 or	PUSH SWITCH	NPS-111-S677	(1)	25035714T	
S7633	PUSH SWITCH	NPS-111-S681	1	25035718T	
S7633 or	PUSH SWITCH	NPS-111-S677	(1)	25035714T	

S7634	PUSH SWITCH	NPS-111-S681	1	25035718T
S7634 or	PUSH SWITCH	NPS-111-S677	(1)	25035714T
S7635	PUSH SWITCH	NPS-111-S681	1	25035718T
S7635 or	PUSH SWITCH	NPS-111-S677	(1)	25035714T

U007 BAPRC-1802-1A : NSP

CIRCUIT NO	PART NAME	DESCRIPTION	Q'TY	PART NO. (SN)	REMARKS
[SEMI CONDUCTOR]					
D3402	CHIP TYPE DIODE	DA2J10100	1	223303R2	
D3402 or	CHIP TYPE DIODE	1SS352	(1)	223234R2	
D7001	CHIP TYPE DIODE	DA2J10100	1	223303R2	
D7001 or	CHIP TYPE DIODE	1SS352	(1)	223234R2	
D7002	CHIP TYPE DIODE	DA2J10100	1	223303R2	
D7002 or	CHIP TYPE DIODE	1SS352	(1)	223234R2	
D7003	CHIP TYPE DIODE	DA2J10100	1	223303R2	
D7003 or	CHIP TYPE DIODE	1SS352	(1)	223234R2	
D7004	CHIP TYPE DIODE	DA2J10100	1	223303R2	
D7006	CHIP TYPE DIODE	DA2J10100	1	223303R2	
D7006 or	CHIP TYPE DIODE	1SS352	(1)	223234R2	
D7009	CHIP TYPE DIODE	DA2J10100	1	223303R2	
D7009 or	CHIP TYPE DIODE	1SS352	(1)	223234R2	
D7012	DIODE	RB050M-30GTR	1	22380373R2	
D7013	DIODE	RB050M-30GTR	1	22380373R2	
D8003	ESD	IMSA-6802-01Y901_1608SIZE	1	4000255AR1	
D8301	ZENER DIODE	DZ2J036MOL	1	224760360R2	
D8301 or	ZENER DIODE	UDZS3.6B	(1)	224550360R2	
D8400	CHIP TYPE DIODE	DA2J10100	1	223303R2	
D8400 or	CHIP TYPE DIODE	1SS352	(1)	223234R2	
D8900	DIODE	CUS357	1	223320R2	
D8901	DIODE	CUS357	1	223320R2	
D8902	DIODE	CUS357	1	223320R2	
D8907	CHIP TYPE DIODE	DA2J10100	1	223303R2	
D8907 or	CHIP TYPE DIODE	1SS352	(1)	223234R2	
D8909	CHIP TYPE DIODE	DA2J10100	1	223303R2	
D8909 or	CHIP TYPE DIODE	1SS352	(1)	223234R2	
D8942	CHIP TYPE DIODE	DA2J10100	1	223303R2	
D8942 or	CHIP TYPE DIODE	1SS352	(1)	223234R2	
D8943	CHIP TYPE DIODE	DA2J10100	1	223303R2	
D8943 or	CHIP TYPE DIODE	1SS352	(1)	223234R2	
D8963	DIODE	RB050M-30GTR	1	22380373R2	
Q1900	HYBRID IC	PCM5101APWR	1	22242855R2	
Q1901	HYBRID IC	74VHC4040FT	1	22274040E1R2TO	
Q1902	HYBRID IC	TC7WH241FU(TE12L_F)	1	22242076R2TO	
Q1903	HYBRID IC	PCM5101APWR	1	22242855R2	
Q1904	HYBRID IC	S-1333A33-M5T1U3	1	22242934R2	
Q3001	HYBRID IC	D830K013DZKB400	1	22242851R3	
Q3002	HYBRID IC	TC58DVM92A5TA10B3H	1	222W0125R3	firmware
Q3003	HYBRID IC	A3V56S40GTP-60RX	1	22242891R2	
Q3004	HYBRID IC	A3V56S40GTP-60RX	1	22242891R2	
Q3005	HYBRID IC	TC7W32FU	1	22241162R2	
Q3006	HYBRID IC	PST803C270NM	1	22242894R2	
Q3100	TRANSISTOR	KRA302E	1	2218360R2	N
Q3100 or	TRANSISTOR	RN2102	(1)	2218270R2	
Q3102	TRANSISTOR	KRC402E	1	2218330R2	N
Q3102 or	TRANSISTOR	RN1102	(1)	2218230R2	
Q3103	HYBRID IC	S-1333A18-M5T1U3	1	22242956R2	
Q3105	HYBRID IC	MFI337S3959	1	22242820R2	
Q3108	HYBRID IC	KSZ8081RNBCA	1	22242921R2	
Q3109	HYBRID IC	S-13A1A12-U5T1U3	1	22242841R2	
Q3120	HYBRID IC	FP6861C-B1AS5CT	1	22242840R2	
Q3121	HYBRID IC	FP6861C-B1AS5CT	1	22242840R2	
Q3200	HYBRID IC	74VHC541FT	1	22274541E1R2TO	
Q3201	TRANSISTOR	KRC402E	1	2218330R2	N
Q3201 or	TRANSISTOR	RN1102	(1)	2218230R2	
Q3202	HYBRID IC	74LCX125FT	1	22274125BR2TO	
Q3203	TRANSISTOR	KRC402E	1	2218330R2	N
Q3203 or	TRANSISTOR	RN1102	(1)	2218230R2	

Q3401	HYBRID IC	S25FL164K0XMFI013	1	22242955R2	N
Q3403	HYBRID IC	TC7SZU04FU	1	22242512R2TO	
Q3404	HYBRID IC	CS49844A-CQZ	1	22242926R3	
Q3406	HYBRID IC	M12L64164A-7TG2Y	1	22242951R3	
Q3410	TRANSISTOR	KRC402E	1	2218330R2	N
Q3410 or	TRANSISTOR	RN1102	(1)	2218230R2	
Q7000	TRANSISTOR	KRA302E	1	2218360R2	N
Q7000 or	TRANSISTOR	RN2102	(1)	2218270R2	
Q7001	HYBRID IC	M95640-WMN6TP	1	22242643R2	
Q7001 or	HYBRID IC	BR25S640FJ	(1)	22242761R2	
Q7002	TRANSISTOR	KRA302E	1	2218360R2	N
Q7002 or	TRANSISTOR	RN2102	(1)	2218270R2	
Q7003	TRANSISTOR	KRA302E	1	2218360R2	N
Q7003 or	TRANSISTOR	RN2102	(1)	2218270R2	
Q7004	TRANSISTOR	KRA302E	1	2218360R2	N
Q7004 or	TRANSISTOR	RN2102	(1)	2218270R2	
Q7005	TRANSISTOR	KRC404E	1	2216450R2	
Q7005 or	TRANSISTOR	RN1104	(1)	2218240R2	
Q7006	TRANSISTOR	KRC404E	1	2216450R2	
Q7006 or	TRANSISTOR	RN1104	(1)	2218240R2	
Q7007	TRANSISTOR	KRC404E	1	2216450R2	
Q7007 or	TRANSISTOR	RN1104	(1)	2218240R2	
Q7008	TRANSISTOR	KRA302E	1	2218360R2	N
Q7008 or	TRANSISTOR	RN2102	(1)	2218270R2	
Q7009	HYBRID IC	MPD70F3477AGJA-GAE-G	1	222W0117R3	firmware
Q7010	TRANSISTOR	KRC404E	1	2216450R2	
Q7010 or	TRANSISTOR	RN1104	(1)	2218240R2	
Q7011	TRANSISTOR	KRA307E	1	2218380R2	N
Q7011 or	TRANSISTOR	RN2107	(1)	2218290R2	
Q7012	TRANSISTOR	KRA307E	1	2218380R2	N
Q7012 or	TRANSISTOR	RN2107	(1)	2218290R2	
Q7013	HYBRID IC	TC7WBL3305CFK	1	22242965R2	
Q7014	TRANSISTOR	KRC402E	1	2218330R2	N
Q7014 or	TRANSISTOR	RN1102	(1)	2218230R2	
Q7015	TRANSISTOR	KRC402E	1	2218330R2	N
Q7015 or	TRANSISTOR	RN1102	(1)	2218230R2	
Q7016	TRANSISTOR	2SC2712-GR	1	2213145R2	
Q7017	TRANSISTOR	KRC402E	1	2218330R2	N
Q7017 or	TRANSISTOR	RN1102	(1)	2218230R2	
Q7018	HYBRID IC	S-1333A33-M5T1U3	1	22242934R2	
Q7019	TRANSISTOR	KRC404E	1	2216450R2	
Q7019 or	TRANSISTOR	RN1104	(1)	2218240R2	
Q7020	HYBRID IC	PST803C270NM	1	22242894R2	
Q7021	TRANSISTOR	KRA302E	1	2218360R2	N
Q7021 or	TRANSISTOR	RN2102	(1)	2218270R2	
Q7023	TRANSISTOR	KRC404E	1	2216450R2	
Q7023 or	TRANSISTOR	RN1104	(1)	2218240R2	
Q7024	TRANSISTOR	KRC404E	1	2216450R2	
Q7024 or	TRANSISTOR	RN1104	(1)	2218240R2	
Q7027	HYBRID IC	S-1333A33-M5T1U3	1	22242934R2	
Q8000	HYBRID IC	MN864788	1	22242929R3	
Q8001	TRANSISTOR	KRC402E	1	2218330R2	N
Q8001 or	TRANSISTOR	RN1102	(1)	2218230R2	
Q8002	TRANSISTOR	KRC402E	1	2218330R2	N
Q8002 or	TRANSISTOR	RN1102	(1)	2218230R2	
Q8003	HYBRID IC	74LCX125FT	1	22274125BR2TO	
Q8004	TRANSISTOR	2SA1162-GR	1	2214375R2	
Q8005	TRANSISTOR	KRC404E	1	2216450R2	
Q8005 or	TRANSISTOR	RN1104	(1)	2218240R2	
Q8006	TRANSISTOR	KRC402E	1	2218330R2	N
Q8006 or	TRANSISTOR	RN1102	(1)	2218230R2	
Q8007	TRANSISTOR	KRC402E	1	2218330R2	N
Q8007 or	TRANSISTOR	RN1102	(1)	2218230R2	
Q8008	TRANSISTOR	KRC402E	1	2218330R2	N
Q8008 or	TRANSISTOR	RN1102	(1)	2218230R2	
Q8009	TRANSISTOR	KRC402E	1	2218330R2	N
Q8009 or	TRANSISTOR	RN1102	(1)	2218230R2	
Q8010	TRANSISTOR	KRC402E	1	2218330R2	N
Q8010 or	TRANSISTOR	RN1102	(1)	2218230R2	
Q8011	TRANSISTOR	KRC402E	1	2218330R2	N
Q8011 or	TRANSISTOR	RN1102	(1)	2218230R2	

Q8101	HYBRID IC	W25Q128FVFIG	1	222W0136R2	firmware
Q8114	HYBRID IC	74LCX125FT	1	22274125BR2TO	
Q8202	HYBRID IC	ADV7180KCP32Z-RL	1	22242763R2	
Q8202 or	HYBRID IC	ADV7180KCP32Z	(1)	22242763R3	
Q8203	HYBRID IC	S-1333A18-M5T1U3	1	22242956R2	
Q8205	HYBRID IC	S-1333A18-M5T1U3	1	22242956R2	
Q8300	HYBRID IC	S-13A1A13-U5T1U3	1	22242848R2	
Q8302	HYBRID IC	SI19573CTUC	1	22242762R3	
Q8303	TRANSISTOR	2SA1162-GR	1	2214375R2	
Q8307	HYBRID IC	S-1333A13-M5T1U3	1	22242957R2	
Q8400	TRANSISTOR	KRC405E	1	2218340R2	N
Q8400 or	TRANSISTOR	RN1105	(1)	2218250R2	
Q8401	HYBRID IC	MN864787	1	22242944R3	N
Q8700	TRANSISTOR	RE1C001UNTCL	1	2218160R2	
Q8701	HYBRID IC	TMPM361F10FG	1	222W0115R3	firmware
Q8702	TRANSISTOR	KRC402E	1	2218330R2	N
Q8702 or	TRANSISTOR	RN1102	(1)	2218230R2	
Q8703	TRANSISTOR	RE1C001UNTCL	1	2218160R2	
Q8704	TRANSISTOR	KRA302E	1	2218360R2	N
Q8704 or	TRANSISTOR	RN2102	(1)	2218270R2	
Q8705	TRANSISTOR	KRC402E	1	2218330R2	N
Q8705 or	TRANSISTOR	RN1102	(1)	2218230R2	
Q8706	TRANSISTOR	RE1C001UNTCL	1	2218160R2	
Q8707	TRANSISTOR	KRA302E	1	2218360R2	N
Q8707 or	TRANSISTOR	RN2102	(1)	2218270R2	
Q8708	TRANSISTOR	KRC402E	1	2218330R2	N
Q8708 or	TRANSISTOR	RN1102	(1)	2218230R2	
Q8709	TRANSISTOR	KRC402E	1	2218330R2	N
Q8709 or	TRANSISTOR	RN1102	(1)	2218230R2	
Q8710	TRANSISTOR	KRC402E	1	2218330R2	N
Q8710 or	TRANSISTOR	RN1102	(1)	2218230R2	
Q8711	TRANSISTOR	KRA302E	1	2218360R2	N
Q8711 or	TRANSISTOR	RN2102	(1)	2218270R2	
Q8712	TRANSISTOR	KRC402E	1	2218330R2	N
Q8712 or	TRANSISTOR	RN1102	(1)	2218230R2	
Q8713	TRANSISTOR	KRC402E	1	2218330R2	N
Q8713 or	TRANSISTOR	RN1102	(1)	2218230R2	
Q8714	TRANSISTOR	KRC402E	1	2218330R2	N
Q8714 or	TRANSISTOR	RN1102	(1)	2218230R2	
Q8715	TRANSISTOR	KRA302E	1	2218360R2	N
Q8715 or	TRANSISTOR	RN2102	(1)	2218270R2	
Q8716	TRANSISTOR	KRC402E	1	2218330R2	N
Q8716 or	TRANSISTOR	RN1102	(1)	2218230R2	
Q8725	TRANSISTOR	KRC402E	1	2218330R2	N
Q8725 or	TRANSISTOR	RN1102	(1)	2218230R2	
Q8727	TRANSISTOR	KRC402E	1	2218330R2	N
Q8727 or	TRANSISTOR	RN1102	(1)	2218230R2	
Q8729	TRANSISTOR	KRC402E	1	2218330R2	N
Q8729 or	TRANSISTOR	RN1102	(1)	2218230R2	
Q8900	HYBRID IC	FP6861C-B1AS5CT	1	22242840R2	
Q8901	TRANSISTOR	KRC405E	1	2218340R2	N
Q8902	TRANSISTOR	KRA302E	1	2218360R2	N
Q8907	HYBRID IC	MM3404A50NRE	1	22242701R2	
Q8921	HYBRID IC	FR9888CSPCTR	1	22242839R2	
Q8931	HYBRID IC	FR9888CSPCTR	1	22242839R2	
Q8941	HYBRID IC	FR9888CSPCTR	1	22242839R2	
Q8942	TRANSISTOR	2SC2712-GR	1	2213145R2	
Q8944	HYBRID IC	TPS22924CYZPR	1	22242807R2	
Q8946	HYBRID IC	TPS22924CYZPR	1	22242807R2	
Q8951	HYBRID IC	FR9888CSPCTR	1	22242839R2	
Q8952	TRANSISTOR	2SC2712-GR	1	2213145R2	
Q8961	HYBRID IC	FR9888CSPCTR	1	22242839R2	
Q8962	TRANSISTOR	2SC2712-GR	1	2213145R2	
Q8965	HYBRID IC	MM3404A50NRE	1	22242701R2	
Q8967	HYBRID IC	FP6861C-B1AS5CT	1	22242840R2	
Q8975	HYBRID IC	XC6701B502PR	1	22242808R2	

[TRANS COIL]

L1900	CORE	BLM15PX181SN1D	1	2350033R1	
L1901	CHOKE COIL	LBC2518T4R7M	1	231364M047R2	
L1902	CORE	BLM15PX181SN1D	1	2350033R1	
L1903	CHOKE COIL	LBC2518T4R7M	1	231364M047R2	

L1904	CORE	BLM15PX181SN1D	1	2350033R1
L3001	CORE	BLM15PX121SN1D	1	2350034R1
L3002	CORE	BLM15PX121SN1D	1	2350034R1
L3003	CORE	BLM15PX121SN1D	1	2350034R1
L3004	CORE	BLM15PX121SN1D	1	2350034R1
L3005	CORE	BLM15PX121SN1D	1	2350034R1
L3100	CORE	BLM15PX121SN1D	1	2350034R1
L3101	CORE	MCF12102G900-T	1	2350041R2
L3102	CORE	BLM15PX181SN1D	1	2350033R1
L3103	CORE	BLM15PX121SN1D	1	2350034R1
L3104	CORE	BLM15PX121SN1D	1	2350034R1
L3105	CORE	BLM15PX121SN1D	1	2350034R1
L3106	CORE	BLM15PX121SN1D	1	2350034R1
L3107	CORE	BLM15PX121SN1D	1	2350034R1
L3108	CORE	BLM15PX121SN1D	1	2350034R1
L3109	CORE	BLM15PX121SN1D	1	2350034R1
L3110	CORE	BLM15PX121SN1D	1	2350034R1
L3111	CORE	BLM15PX121SN1D	1	2350034R1
L3112	CORE	MCF12102G900-T	1	2350041R2
L3114	CORE	BLM15PX121SN1D	1	2350034R1
L3145	CORE	MCF20104G900-T	1	2350040R2
L3203	CORE	BK1005LL241-T	1	2350032R1
L3209	CORE	BK1005LL241-T	1	2350032R1
L3290	CORE	BK1005LL241-T	1	2350032R1
L3401	CORE	BLM15PX181SN1D	1	2350033R1
L3403	CORE	BK1005LL241-T	1	2350032R1
L3405	CORE	BLM15PX121SN1D	1	2350034R1
L3406	CORE	BLM15PX330SN1D	1	2350043R1
L3407	CORE	BLM15PX121SN1D	1	2350034R1
L3408	CORE	BLM15PX121SN1D	1	2350034R1
L3409	CORE	BLM15PX181SN1D	1	2350033R1
L3411	CORE	BK1005LL241-T	1	2350032R1
L7003	CORE	BLM15PX181SN1D	1	2350033R1
L7007	CORE	BLM15PX181SN1D	1	2350033R1
L8000	CORE	BLM15PX121SN1D	1	2350034R1
L8001	CORE	EXC24CH900U	1	2350039R2
L8002	CORE	EXC24CH900U	1	2350039R2
L8003	CORE	EXC24CH900U	1	2350039R2
L8004	CORE	EXC24CH900U	1	2350039R2
L8005	CORE	BLM15PX121SN1D	1	2350034R1
L8006	CORE	BLM15PX121SN1D	1	2350034R1
L8007	CORE	BLM15PX121SN1D	1	2350034R1
L8008	CORE	BLM15PX121SN1D	1	2350034R1
L8009	CORE	BLM15PX121SN1D	1	2350034R1
L8010	CORE	BLM15PX121SN1D	1	2350034R1
L8011	CORE	BLM15PX121SN1D	1	2350034R1
L8012	CORE	BLM15PX121SN1D	1	2350034R1
L8013	CORE	BLM15PX121SN1D	1	2350034R1
L8014	CORE	BLM15PX121SN1D	1	2350034R1
L8015	CORE	BLM15PX121SN1D	1	2350034R1
L8016	CORE	BLM15PX121SN1D	1	2350034R1
L8017	CORE	BLM15PX121SN1D	1	2350034R1
L8018	CORE	BLM15PX121SN1D	1	2350034R1
L8021	CORE	EXC24CH900U	1	2350039R2
L8022	CORE	EXC24CH900U	1	2350039R2
L8023	CORE	EXC24CH900U	1	2350039R2
L8024	CORE	EXC24CH900U	1	2350039R2
L8202	CORE	BLM15PX181SN1D	1	2350033R1
L8205	CORE	BLM15PX181SN1D	1	2350033R1
L8207	CORE	BLM15PX181SN1D	1	2350033R1
L8210	CORE	BLM15PX181SN1D	1	2350033R1
L8300	CORE	BLM15PX181SN1D	1	2350033R1
L8302	CORE	BLM15PX181SN1D	1	2350033R1
L8303	CORE	BLM15PX181SN1D	1	2350033R1
L8304	CORE	BLM15PX181SN1D	1	2350033R1
L8305	CORE	BLM15PX181SN1D	1	2350033R1
L8306	CORE	BLM15PX181SN1D	1	2350033R1
L8307	CORE	BLM15PX181SN1D	1	2350033R1
L8308	CORE	BLM15PX181SN1D	1	2350033R1
L8400	CORE	BLM15PX121SN1D	1	2350034R1
L8401	CORE	BLM15PX121SN1D	1	2350034R1

L8402	CORE	BLM15PX121SN1D	1	2350034R1
L8403	CORE	BLM15PX121SN1D	1	2350034R1
L8404	CORE	BLM15PX121SN1D	1	2350034R1
L8405	CORE	BLM15PX121SN1D	1	2350034R1
L8406	CORE	BLM15PX121SN1D	1	2350034R1
L8407	CORE	BLM15PX121SN1D	1	2350034R1
L8408	CORE	BLM15PX121SN1D	1	2350034R1
L8409	CORE	BLM15PX121SN1D	1	2350034R1
L8410	CORE	BLM15PX121SN1D	1	2350034R1
L8411	CORE	BLM15PX121SN1D	1	2350034R1
L8412	CORE	BLM15PX121SN1D	1	2350034R1
L8413	CORE	BLM15PX121SN1D	1	2350034R1
L8415	CORE	BLM15PX121SN1D	1	2350034R1
L8416	CORE	BK1005LL241-T	1	2350032R1
L8417	CORE	BLM15PX181SN1D	1	2350033R1
L8418	CORE	BLM15PX181SN1D	1	2350033R1
L8702	CORE	BLM15PX181SN1D	1	2350033R1
L8921	CHOKE COIL	BLM21PG221SN1	1	230949R2
L8922	CHOKE COIL	C6-K5RA-10UH	1	231451P100R2
L8931	CHOKE COIL	BLM21PG221SN1	1	230949R2
L8932	CHOKE COIL	C6-K5RA-10UH	1	231451P100R2
L8941	CHOKE COIL	BLM21PG221SN1	1	230949R2
L8942	CHOKE COIL	C6-K5RA-10UH	1	231451P100R2
L8951	CHOKE COIL	BLM21PG221SN1	1	230949R2
L8952	CHOKE COIL	C6-K5RA-10UH	1	231451P100R2
L8961	CHOKE COIL	BLM21PG221SN1	1	230949R2
L8962	CHOKE COIL	C6-K5RA-10UH	1	231451P100R2
L8965	CORE	BLM15PX181SN1D	1	2350033R1
X3001	CRYSTAL	HC-49S 9C20.0000M	1	3010514R2
X3401	CRYSTAL	HC-49S 9C24.5760M	1	3010516R2
X7001	CRYSTAL	CSTCR4M00G53-R0	1	3010536R2
X8031	CRYSTAL	HC-49S 9C27.0000M	1	3010518R2
X8201	CRYSTAL	HC-49S 9C28.6363M	1	3010519R2
X8301	CRYSTAL	HC-49S 9C27.0000M	1	3010518R2
X8400	CRYSTAL	HC-49S 9C27.0000M	1	3010518R2
X8701	CERAMIC RESONATOR	CSTCE8M00G55-R0	1	3010416R2
[CAPACITOR]				
C1900	CHIP TYPE CERAMIC CAPACITOR	CK725B1A-105K0	1	332001055R1
C1901	CHIP TYPE CERAMIC CAPACITOR	CK725B1C-104K0	1	332011045R1
C1902	CHIP TYPE CERAMIC CAPACITOR	CK725B1C-104K0	1	332011045R1
C1903	CHIP TYPE CERAMIC CAPACITOR	CK725B1C-104K0	1	332011045R1
C1904	CHIP TYPE CERAMIC CAPACITOR	CK725B1A-225K1	1	332132255R1
C1905	CHIP TYPE CERAMIC CAPACITOR	CK725B1A-225K1	1	332132255R1
C1906	CHIP TYPE CERAMIC CAPACITOR	CK725B1C-104K0	1	332011045R1
C1907	CHIP TYPE CERAMIC CAPACITOR	CK732B16V-106K	1	332071065R2
C1908	CHIP TYPE CERAMIC CAPACITOR	CK725B1H-103K0	1	332031035R1
C1909	CHIP TYPE CERAMIC CAPACITOR	CK725B1H-103K0	1	332031035R1
C1910	CHIP TYPE CERAMIC CAPACITOR	CK725B1C-104K0	1	332011045R1
C1911	CHIP TYPE CERAMIC CAPACITOR	CK725B1C-104K0	1	332011045R1
C1912	CHIP TYPE CERAMIC CAPACITOR	CK725B1C-104K0	1	332011045R1
C1913	CHIP TYPE CERAMIC CAPACITOR	CK725B1A-225K1	1	332132255R1
C1914	CHIP TYPE CERAMIC CAPACITOR	CK725B1A-225K1	1	332132255R1
C1915	CHIP TYPE CERAMIC CAPACITOR	CK725B1C-104K0	1	332011045R1
C1916	CHIP TYPE CERAMIC CAPACITOR	CK732B16V-106K	1	332071065R2
C1917	CHIP TYPE CERAMIC CAPACITOR	CK725B1H-103K0	1	332031035R1
C1918	CHIP TYPE CERAMIC CAPACITOR	CK725B1H-103K0	1	332031035R1
C1919	CHIP TYPE CERAMIC CAPACITOR	CK725B1C-104K0	1	332011045R1
C1920	CHIP TYPE CERAMIC CAPACITOR	CK725B1C-104K0	1	332011045R1
C1921	CHIP TYPE CERAMIC CAPACITOR	CK732B16V-106K	1	332071065R2
C1922	CHIP TYPE CERAMIC CAPACITOR	CK732B16V-106K	1	332071065R2
C3001	CHIP TYPE CERAMIC CAPACITOR	CK725B1A-105K0	1	332001055R1
C3002	CHIP TYPE CERAMIC CAPACITOR	CK725B1A-105K0	1	332001055R1
C3003	CHIP TYPE CERAMIC CAPACITOR	CK732B16V-106K	1	332071065R2
C3004	CHIP TYPE CERAMIC CAPACITOR	CK732B16V-106K	1	332071065R2
C3005	CHIP TYPE CERAMIC CAPACITOR	CK725B1A-105K0	1	332001055R1
C3006	CHIP TYPE CERAMIC CAPACITOR	CK725B1H-102K0	1	332031025R1
C3007	CHIP TYPE CERAMIC CAPACITOR	CK725B1A-105K0	1	332001055R1
C3008	CHIP TYPE CERAMIC CAPACITOR	CK725B1H-102K0	1	332031025R1
C3009	CHIP TYPE CERAMIC CAPACITOR	CK725B1A-105K0	1	332001055R1
C3010	CHIP TYPE CERAMIC CAPACITOR	CK725B1A-105K0	1	332001055R1
C3011	CHIP TYPE CERAMIC CAPACITOR	CK725B1A-105K0	1	332001055R1

C8923	CHIP TYPE CERAMIC CAPACITOR	CK725B1E-106K	1	332221065R2
C8924	CHIP TYPE CERAMIC CAPACITOR	CK725B1E-106K	1	332221065R2
C8925	CHIP TYPE CERAMIC CAPACITOR	CK725B1H-103K0	1	332031035R1
C8926	CHIP TYPE CERAMIC CAPACITOR	CK725B0J-226M	1	332092267R2
C8927	CHIP TYPE CERAMIC CAPACITOR	CK725B0J-226M	1	332092267R2
C8929	CHIP TYPE CERAMIC CAPACITOR	CK732B16V-106K	1	332071065R2
C8930	CHIP TYPE CERAMIC CAPACITOR	CK725B0J-226M	1	332092267R2
C8931	CHIP TYPE CERAMIC CAPACITOR	CK725B1H-103K0	1	332031035R1
C8932	CHIP TYPE CERAMIC CAPACITOR	CK725B1C-104K0	1	332011045R1
C8933	CHIP TYPE CERAMIC CAPACITOR	CK725B1E-106K	1	332221065R2
C8934	CHIP TYPE CERAMIC CAPACITOR	CK725B1E-106K	1	332221065R2
C8935	CHIP TYPE CERAMIC CAPACITOR	CK725B1H-103K0	1	332031035R1
C8936	CHIP TYPE CERAMIC CAPACITOR	CK725B0J-226M	1	332092267R2
C8937	CHIP TYPE CERAMIC CAPACITOR	CK725B0J-226M	1	332092267R2
C8941	CHIP TYPE CERAMIC CAPACITOR	CK725B1H-103K0	1	332031035R1
C8942	CHIP TYPE CERAMIC CAPACITOR	CK725B1C-104K0	1	332011045R1
C8943	CHIP TYPE CERAMIC CAPACITOR	CK725B1E-106K	1	332221065R2
C8944	CHIP TYPE CERAMIC CAPACITOR	CK725B1E-106K	1	332221065R2
C8945	CHIP TYPE CERAMIC CAPACITOR	CK725B1H-103K0	1	332031035R1
C8946	CHIP TYPE CERAMIC CAPACITOR	CK725B0J-226M	1	332092267R2
C8947	CHIP TYPE CERAMIC CAPACITOR	CK725B0J-226M	1	332092267R2
C8951	CHIP TYPE CERAMIC CAPACITOR	CK725B1H-103K0	1	332031035R1
C8952	CHIP TYPE CERAMIC CAPACITOR	CK725B1C-104K0	1	332011045R1
C8953	CHIP TYPE CERAMIC CAPACITOR	CK725B1E-106K	1	332221065R2
C8954	CHIP TYPE CERAMIC CAPACITOR	CK725B1E-106K	1	332221065R2
C8955	CHIP TYPE CERAMIC CAPACITOR	CK725B1H-103K0	1	332031035R1
C8956	CHIP TYPE CERAMIC CAPACITOR	CK725B0J-226M	1	332092267R2
C8957	CHIP TYPE CERAMIC CAPACITOR	CK725B0J-226M	1	332092267R2
C8961	CHIP TYPE CERAMIC CAPACITOR	CK725B1H-103K0	1	332031035R1
C8962	CHIP TYPE CERAMIC CAPACITOR	CK725B1C-104K0	1	332011045R1
C8963	CHIP TYPE CERAMIC CAPACITOR	CK725B1E-106K	1	332221065R2
C8964	CHIP TYPE CERAMIC CAPACITOR	CK725B1E-106K	1	332221065R2
C8965	CHIP TYPE CERAMIC CAPACITOR	CK725B1H-103K0	1	332031035R1
C8966	CHIP TYPE CERAMIC CAPACITOR	CK725B0J-226M	1	332092267R2
C8967	CHIP TYPE CERAMIC CAPACITOR	CK725B0J-226M	1	332092267R2
C8975	CHIP TYPE CERAMIC CAPACITOR	CK725B1E-106K	1	332221065R2
C8980	CHIP TYPE CERAMIC CAPACITOR	CK725B1A-105K0	1	332001055R1
C8981	CHIP TYPE CERAMIC CAPACITOR	CK732B16V-106K	1	332071065R2
C8982	CHIP TYPE CERAMIC CAPACITOR	CK725B1A-105K0	1	332001055R1
C8983	CHIP TYPE CERAMIC CAPACITOR	CK732B16V-106K	1	332071065R2
[RESISTOR]				
R1900	CHIP TYPE CARBON RESISTOR	RN72K1J-331JE	1	435033314R1
R1901	CHIP TYPE CARBON RESISTOR	RN72K1J-151JE	1	435031514R1
R1902	CHIP TYPE CARBON RESISTOR	RN72K1J-151JE	1	435031514R1
R1903	CHIP TYPE CARBON RESISTOR	RN72K1J-151JE	1	435031514R1
R1904	CHIP TYPE CARBON RESISTOR	RN72K1J-331JE	1	435033314R1
R1905	CHIP TYPE CARBON RESISTOR	RN72K1J-221JE	1	435032214R1
R1906	CHIP TYPE CARBON RESISTOR	RN72K1J-221JE	1	435032214R1
R1907	CHIP TYPE CARBON RESISTOR	RN72K1J-471JE	1	435034714R1
R1908	CHIP TYPE CARBON RESISTOR	RN72K1J-471JE	1	435034714R1
R1909	CHIP TYPE CARBON RESISTOR	RN72K1J-103JE	1	435031034R1
R1911	CHIP TYPE CARBON RESISTOR	RN72K1J-151JE	1	435031514R1
R1912	CHIP TYPE CARBON RESISTOR	RN72K1J-151JE	1	435031514R1
R1913	CHIP TYPE CARBON RESISTOR	RN72K1J-151JE	1	435031514R1
R1914	CHIP TYPE CARBON RESISTOR	RN72K1J-331JE	1	435033314R1
R1915	CHIP TYPE CARBON RESISTOR	RN72K1J-471JE	1	435034714R1
R1916	CHIP TYPE CARBON RESISTOR	RN72K1J-471JE	1	435034714R1
R1917	CHIP TYPE CARBON RESISTOR	RN72K1J-103JE	1	435031034R1
R1919	CHIP TYPE CARBON RESISTOR	RN72K1J-151JE	1	435031514R1
R1920	CHIP TYPE CARBON RESISTOR	RN72K1J-151JE	1	435031514R1
R3007	CHIP TYPE CARBON RESISTOR	RN72K1J-470JE	1	435034704R1
R3009	CHIP TYPE CARBON RESISTOR	RN72K1J-330JE	1	435033304R1
R3010	CHIP RESISTOR NETWORK	MNR04MRAPJ330	1	43464733004R2
R3010 or	CHIP RESISTOR NETWORK	YCN104-330-JK	(1)	43464C33004R1
R3011	CHIP RESISTOR NETWORK	MNR04MRAPJ330	1	43464733004R2
R3011 or	CHIP RESISTOR NETWORK	YCN104-330-JK	(1)	43464C33004R1
R3012	CHIP RESISTOR NETWORK	MNR04MRAPJ470	1	43464747004R2
R3012 or	CHIP RESISTOR NETWORK	YCN104-470-JK	(1)	43464C47004R1
R3013	CHIP RESISTOR NETWORK	MNR04MRAPJ330	1	43464733004R2
R3013 or	CHIP RESISTOR NETWORK	YCN104-330-JK	(1)	43464C33004R1
R3014	CHIP RESISTOR NETWORK	MNR04MRAPJ330	1	43464733004R2

R3014 or	CHIP RESISTOR NETWORK	YCN104-330-JK	(1)	43464C33004R1
R3015	CHIP RESISTOR NETWORK	MNR04MRAPJ330	1	43464733004R2
R3015 or	CHIP RESISTOR NETWORK	YCN104-330-JK	(1)	43464C33004R1
R3016	CHIP TYPE CARBON RESISTOR	RN72K1J-470JE	1	435034704R1
R3017	CHIP RESISTOR NETWORK	MNR04MRAPJ330	1	43464733004R2
R3017 or	CHIP RESISTOR NETWORK	YCN104-330-JK	(1)	43464C33004R1
R3018	CHIP TYPE CARBON RESISTOR	RN72K1J-470JE	1	435034704R1
R3019	CHIP RESISTOR NETWORK	MNR04MRAPJ330	1	43464733004R2
R3019 or	CHIP RESISTOR NETWORK	YCN104-330-JK	(1)	43464C33004R1
R3020	CHIP RESISTOR NETWORK	MNR04MRAPJ330	1	43464733004R2
R3020 or	CHIP RESISTOR NETWORK	YCN104-330-JK	(1)	43464C33004R1
R3021	CHIP TYPE CARBON RESISTOR	RN72K1J-470JE	1	435034704R1
R3022	CHIP TYPE CARBON RESISTOR	RN72K1J-470JE	1	435034704R1
R3023	CHIP RESISTOR NETWORK	MNR04MRAPJ470	1	43464747004R2
R3023 or	CHIP RESISTOR NETWORK	YCN104-470-JK	(1)	43464C47004R1
R3024	CHIP TYPE CARBON RESISTOR	RN72K1J-470JE	1	435034704R1
R3025	CHIP TYPE CARBON RESISTOR	RN72K1J-102JE	1	435031024R1
R3028	CHIP TYPE CARBON RESISTOR	RN72K1J-470JE	1	435034704R1
R3029	CHIP TYPE CARBON RESISTOR	RN72K1J-102JE	1	435031024R1
R3032	CHIP TYPE CARBON RESISTOR	RN72K1J-103JE	1	435031034R1
R3033	CHIP TYPE CARBON RESISTOR	RN72K1J-470JE	1	435034704R1
R3034	CHIP TYPE CARBON RESISTOR	RN72K1J-470JE	1	435034704R1
R3035	CHIP TYPE CARBON RESISTOR	RN72K1J-470JE	1	435034704R1
R3036	CHIP TYPE CARBON RESISTOR	RN72K1J-470JE	1	435034704R1
R3037	CHIP TYPE CARBON RESISTOR	RN72K1J-470JE	1	435034704R1
R3038	CHIP TYPE CARBON RESISTOR	RN72K1J-470JE	1	435034704R1
R3039	CHIP TYPE CARBON RESISTOR	RN72K1J-470JE	1	435034704R1
R3040	CHIP TYPE CARBON RESISTOR	RN72K1J-103JE	1	435031034R1
R3041	CHIP RESISTOR NETWORK	MNR04MRAPJ330	1	43464733004R2
R3041 or	CHIP RESISTOR NETWORK	YCN104-330-JK	(1)	43464C33004R1
R3042	CHIP RESISTOR NETWORK	MNR04MRAPJ330	1	43464733004R2
R3042 or	CHIP RESISTOR NETWORK	YCN104-330-JK	(1)	43464C33004R1
R3043	CHIP TYPE CARBON RESISTOR	RN72K1J-000JE	1	435030004R1
R3044	CHIP RESISTOR NETWORK	MNR04MRAPJ330	1	43464733004R2
R3044 or	CHIP RESISTOR NETWORK	YCN104-330-JK	(1)	43464C33004R1
R3045	CHIP RESISTOR NETWORK	MNR04MRAPJ330	1	43464733004R2
R3045 or	CHIP RESISTOR NETWORK	YCN104-330-JK	(1)	43464C33004R1
R3047	CHIP TYPE CARBON RESISTOR	RN72K1J-560JE	1	435035604R1
R3048	CHIP TYPE CARBON RESISTOR	RN72K1J-221JE	1	435032214R1
R3049	CHIP TYPE CARBON RESISTOR	RN72K1J-560JE	1	435035604R1
R3050	CHIP TYPE CARBON RESISTOR	RN72K1J-560JE	1	435035604R1
R3051	CHIP TYPE CARBON RESISTOR	RN72K1J-560JE	1	435035604R1
R3054	CHIP TYPE CARBON RESISTOR	RN72K1J-103JE	1	435031034R1
R3056	CHIP TYPE CARBON RESISTOR	RN72K1J-472JE	1	435034724R1
R3060	CHIP TYPE CARBON RESISTOR	RN72K1J-680JE	1	435036804R1
R3061	CHIP TYPE CARBON RESISTOR	RN72K1J-470JE	1	435034704R1
R3062	CHIP TYPE CARBON RESISTOR	RN72K1J-680JE	1	435036804R1
R3063	CHIP TYPE CARBON RESISTOR	RN72K1J-680JE	1	435036804R1
R3064	CHIP TYPE CARBON RESISTOR	RN72K1J-680JE	1	435036804R1
R3065	CHIP TYPE CARBON RESISTOR	RN72K1J-680JE	1	435036804R1
R3066	CHIP TYPE CARBON RESISTOR	RN72K1J-102JE	1	435031024R1
R3105	CHIP RESISTOR NETWORK	MNR04MRAPJ220	1	43464722004R2
R3105 or	CHIP RESISTOR NETWORK	YCN104-220-JK	(1)	43464C22004R1
R3108	CHIP TYPE CARBON RESISTOR	RN72K1J-103JE	1	435031034R1
R3110	CHIP TYPE CARBON RESISTOR	RN72K1J-103JE	1	435031034R1
R3111	CHIP TYPE CARBON RESISTOR	RN72K1J-103JE	1	435031034R1
R3113	CHIP TYPE CARBON RESISTOR	RN72K1J-103JE	1	435031034R1
R3115	CHIP TYPE CARBON RESISTOR	RN72K1J-332JE	1	435033324R1
R3117	CHIP TYPE CARBON RESISTOR	RN72K1J-332JE	1	435033324R1
R3119	CHIP TYPE CARBON RESISTOR	RN72K1J-332JE	1	435033324R1
R3121	CHIP TYPE CARBON RESISTOR	RN72K1J-680JE	1	435036804R1
R3122	CHIP TYPE CARBON RESISTOR	RN72K1J-102JE	1	435031024R1
R3123	CHIP TYPE CARBON RESISTOR	RN72K1J-000JE	1	435030004R1
R3124	CHIP TYPE CARBON RESISTOR	RN72K1J-331JE	1	435033314R1
R3125	CHIP TYPE CARBON RESISTOR	RN72K1J-470JE	1	435034704R1
R3126	CHIP TYPE CARBON RESISTOR	RN72K1J-470JE	1	435034704R1
R3127	CHIP TYPE CARBON RESISTOR	RN72K1J-470JE	1	435034704R1
R3128	CHIP TYPE CARBON RESISTOR	RN72K1J-472JE	1	435034724R1
R3129	CHIP TYPE CARBON RESISTOR	RN72K1J-470JE	1	435034704R1
R3130	CHIP TYPE CARBON RESISTOR	RN72K1J-470JE	1	435034704R1
R3131	CHIP TYPE CARBON RESISTOR	RN72K1J-470JE	1	435034704R1

R3132	CHIP TYPE CARBON RESISTOR	RN72K1J-103JE	1	435031034R1
R3133	CHIP TYPE CARBON RESISTOR	RN72K1J-470JE	1	435034704R1
R3134	CHIP TYPE CARBON RESISTOR	RN72K1J-472JE	1	435034724R1
R3135	CHIP TYPE CARBON RESISTOR	RN72K1J-472JE	1	435034724R1
R3136	CHIP TYPE CARBON RESISTOR	RN72K1J-000JE	1	435030004R1
R3137	CHIP TYPE CARBON RESISTOR	RN72K1J-000JE	1	435030004R1
R3138	CHIP TYPE CARBON RESISTOR	RN72K1J-103JE	1	435031034R1
R3139	CHIP TYPE CARBON RESISTOR	RN72K1J-101JE	1	435031014R1
R3143	CHIP TYPE CARBON RESISTOR	RN72K1J-332JE	1	435033324R1
R3144	CHIP TYPE CARBON RESISTOR	RN72K1J-101JE	1	435031014R1
R3145	CHIP TYPE CARBON RESISTOR	RN72K1J-332JE	1	435033324R1
R3146	CHIP TYPE CARBON RESISTOR	RN72K1J-390JE	1	435033904R1
R3148	CHIP TYPE CARBON RESISTOR	RN72K1J-390JE	1	435033904R1
R3154	CHIP TYPE CARBON RESISTOR	RN72K1J-390JE	1	435033904R1
R3155	CHIP TYPE CARBON RESISTOR	RN72K1J-390JE	1	435033904R1
R3156	CHIP TYPE CARBON RESISTOR	RN72K1J-390JE	1	435033904R1
R3157	CHIP TYPE CARBON RESISTOR	RN72K1J-101JE	1	435031014R1
R3162	CHIP TYPE CARBON RESISTOR	RN72K1J-390JE	1	435033904R1
R3163	CHIP TYPE CARBON RESISTOR	RN72K1J-220JE	1	435032204R1
R3164	CHIP TYPE CARBON RESISTOR	RN72K1J-102JE	1	435031024R1
R3168	CHIP TYPE CARBON RESISTOR	RN72K1J-220JE	1	435032204R1
R3169	CHIP TYPE CARBON RESISTOR	RN72K1J-220JE	1	435032204R1
R3170	CHIP TYPE CARBON RESISTOR	RN72K1J-391FE	1	435033912R1
R3171	CHIP TYPE CARBON RESISTOR	RN72K1J-222FE	1	435032222R1
R3172	CHIP TYPE CARBON RESISTOR	RN72K1J-392FE	1	435033922R1
R3173	CHIP TYPE CARBON RESISTOR	RN72K1J-390JE	1	435033904R1
R3174	CHIP TYPE CARBON RESISTOR	RN72K1J-390JE	1	435033904R1
R3175	CHIP TYPE CARBON RESISTOR	RN72K1J-472JE	1	435034724R1
R3181	CHIP TYPE CARBON RESISTOR	RN72K1J-470JE	1	435034704R1
R3182	CHIP TYPE CARBON RESISTOR	RN72K1J-472JE	1	435034724R1
R3183	CHIP TYPE CARBON RESISTOR	RN72K1J-470JE	1	435034704R1
R3184	CHIP TYPE CARBON RESISTOR	RN72K1J-470JE	1	435034704R1
R3187	CHIP TYPE CARBON RESISTOR	RN72K1J-472JE	1	435034724R1
R3188	CHIP TYPE CARBON RESISTOR	RN72K1J-103JE	1	435031034R1
R3190	CHIP TYPE CARBON RESISTOR	RN72K1J-103JE	1	435031034R1
R3192	CHIP TYPE CARBON RESISTOR	RN72K1J-472JE	1	435034724R1
R3193	CHIP TYPE CARBON RESISTOR	RN72K1J-472JE	1	435034724R1
R3194	CHIP TYPE CARBON RESISTOR	RN72K1J-472JE	1	435034724R1
R3199	CHIP TYPE CARBON RESISTOR	RN72K1J-102JE	1	435031024R1
R3200	CHIP TYPE CARBON RESISTOR	RN72K1J-000JE	1	435030004R1
R3201	CHIP RESISTOR NETWORK	MNR04MRAPJ470	1	43464747004R2
R3201 or	CHIP RESISTOR NETWORK	YCN104-470-JK	(1)	43464C47004R1
R3202	CHIP TYPE CARBON RESISTOR	RN72K1J-470JE	1	435034704R1
R3203	CHIP TYPE CARBON RESISTOR	RN72K1J-470JE	1	435034704R1
R3204	CHIP TYPE CARBON RESISTOR	RN72K1J-103JE	1	435031034R1
R3205	CHIP TYPE CARBON RESISTOR	RN72K1J-470JE	1	435034704R1
R3207	CHIP TYPE CARBON RESISTOR	RN72K1J-103JE	1	435031034R1
R3208	CHIP TYPE CARBON RESISTOR	RN72K1J-221JE	1	435032214R1
R3209	CHIP TYPE CARBON RESISTOR	RN72K1J-470JE	1	435034704R1
R3211	CHIP TYPE CARBON RESISTOR	RN72K1J-151JE	1	435031514R1
R3212	CHIP TYPE CARBON RESISTOR	RN72K1J-220JE	1	435032204R1
R3213	CHIP TYPE CARBON RESISTOR	RN72K1J-103JE	1	435031034R1
R3218	CHIP TYPE CARBON RESISTOR	RN72K1J-220JE	1	435032204R1
R3226	CHIP RESISTOR NETWORK	MNR04MRAPJ470	1	43464747004R2
R3226 or	CHIP RESISTOR NETWORK	YCN104-470-JK	(1)	43464C47004R1
R3234	CHIP TYPE CARBON RESISTOR	RN72K1J-470JE	1	435034704R1
R3238	CHIP TYPE CARBON RESISTOR	RN72K1J-470JE	1	435034704R1
R3244	CHIP TYPE CARBON RESISTOR	RN72K1J-470JE	1	435034704R1
R3247	CHIP TYPE CARBON RESISTOR	RN72K1J-121JE	1	435031214R1
R3251	CHIP TYPE CARBON RESISTOR	RN72K1J-470JE	1	435034704R1
R3257	CHIP TYPE CARBON RESISTOR	RN72K1J-470JE	1	435034704R1
R3260	CHIP TYPE CARBON RESISTOR	RN72K1J-221JE	1	435032214R1
R3262	CHIP TYPE CARBON RESISTOR	RN72K1J-221JE	1	435032214R1
R3265	CHIP TYPE CARBON RESISTOR	RN72K1J-390JE	1	435033904R1
R3268	CHIP TYPE CARBON RESISTOR	RN72K1J-390JE	1	435033904R1
R3271	CHIP TYPE CARBON RESISTOR	RN72K1J-390JE	1	435033904R1
R3272	CHIP TYPE CARBON RESISTOR	RN72K1J-470JE	1	435034704R1
R3274	CHIP TYPE CARBON RESISTOR	RN72K1J-390JE	1	435033904R1
R3275	CHIP TYPE CARBON RESISTOR	RN72K1J-332JE	1	435033324R1
R3277	CHIP TYPE CARBON RESISTOR	RN72K1J-220JE	1	435032204R1
R3278	CHIP TYPE CARBON RESISTOR	RN72K1J-470JE	1	435034704R1

R3281	CHIP TYPE CARBON RESISTOR	RN72K1J-103JE	1	435031034R1
R3283	CHIP TYPE CARBON RESISTOR	RN72K1J-470JE	1	435034704R1
R3284	CHIP TYPE CARBON RESISTOR	RN72K1J-103JE	1	435031034R1
R3285	CHIP TYPE CARBON RESISTOR	RN72K1J-332JE	1	435033324R1
R3286	CHIP TYPE CARBON RESISTOR	RN72K1J-332JE	1	435033324R1
R3289	CHIP TYPE CARBON RESISTOR	RN72K1J-332JE	1	435033324R1
R3290	CHIP TYPE CARBON RESISTOR	RN72K1J-470JE	1	435034704R1
R3291	CHIP RESISTOR NETWORK	MNR04MRAPJ470	1	43464747004R2
R3291 or	CHIP RESISTOR NETWORK	YCN104-470-JK	(1)	43464C47004R1
R3293	CHIP TYPE CARBON RESISTOR	RN72K1J-101JE	1	435031014R1
R3297	CHIP TYPE CARBON RESISTOR	RN72K1J-103JE	1	435031034R1
R3400	CHIP TYPE CARBON RESISTOR	RN72K1J-223JE	1	435032234R1
R3401	CHIP TYPE CARBON RESISTOR	RN72K1J-470JE	1	435034704R1
R3403	CHIP TYPE CARBON RESISTOR	RN72K1J-221JE	1	435032214R1
R3404	CHIP TYPE CARBON RESISTOR	RN72K1J-470JE	1	435034704R1
R3405	CHIP TYPE CARBON RESISTOR	RN72K1J-470JE	1	435034704R1
R3406	CHIP TYPE CARBON RESISTOR	RN72K1J-332JE	1	435033324R1
R3407	CHIP TYPE CARBON RESISTOR	RN72K1J-222JE	1	435032224R1
R3408	CHIP RESISTOR NETWORK	MNR04MRAPJ221	1	43464722104R2
R3408 or	CHIP RESISTOR NETWORK	YCN104-221-JK	(1)	43464C22104R1
R3409	CHIP RESISTOR NETWORK	MNR04MRAPJ221	1	43464722104R2
R3409 or	CHIP RESISTOR NETWORK	YCN104-221-JK	(1)	43464C22104R1
R3411	CHIP RESISTOR NETWORK	MNR04MRAPJ000	1	43464700004R2
R3411 or	CHIP RESISTOR NETWORK	YCN104-000-ZK	(1)	43484C00004R1
R3412	CHIP TYPE CARBON RESISTOR	RN72K1J-472JE	1	435034724R1
R3414	CHIP TYPE CARBON RESISTOR	RN72K1J-103JE	1	435031034R1
R3415	CHIP RESISTOR NETWORK	MNR04MRAPJ000	1	43464700004R2
R3415 or	CHIP RESISTOR NETWORK	YCN104-000-ZK	(1)	43484C00004R1
R3421	CHIP TYPE CARBON RESISTOR	RN72K1J-470JE	1	435034704R1
R3424	CHIP TYPE CARBON RESISTOR	RN72K1J-470JE	1	435034704R1
R3425	CHIP TYPE CARBON RESISTOR	RN72K1J-470JE	1	435034704R1
R3428	CHIP TYPE CARBON RESISTOR	RN72K1J-472JE	1	435034724R1
R3429	CHIP RESISTOR NETWORK	MNR04MRAPJ470	1	43464747004R2
R3429 or	CHIP RESISTOR NETWORK	YCN104-470-JK	(1)	43464C47004R1
R3430	CHIP RESISTOR NETWORK	MNR04MRAPJ470	1	43464747004R2
R3430 or	CHIP RESISTOR NETWORK	YCN104-470-JK	(1)	43464C47004R1
R3432	CHIP TYPE CARBON RESISTOR	RN72K1J-103JE	1	435031034R1
R3433	CHIP TYPE CARBON RESISTOR	RN72K1J-103JE	1	435031034R1
R3434	CHIP TYPE CARBON RESISTOR	RN72K1J-332JE	1	435033324R1
R3435	CHIP TYPE CARBON RESISTOR	RN72K1J-222JE	1	435032224R1
R3436	CHIP TYPE CARBON RESISTOR	RN72K1J-101JE	1	435031014R1
R3437	CHIP TYPE CARBON RESISTOR	RN72K1J-470JE	1	435034704R1
R3438	CHIP TYPE CARBON RESISTOR	RN72K1J-470JE	1	435034704R1
R3439	CHIP TYPE CARBON RESISTOR	RN72K1J-332JE	1	435033324R1
R3440	CHIP TYPE CARBON RESISTOR	RN72K1J-332JE	1	435033324R1
R3441	CHIP RESISTOR NETWORK	MNR04MRAPJ470	1	43464747004R2
R3441 or	CHIP RESISTOR NETWORK	YCN104-470-JK	(1)	43464C47004R1
R3442	CHIP TYPE CARBON RESISTOR	RN72K1J-105JE	1	435031054R1
R3443	CHIP TYPE CARBON RESISTOR	RN72K1J-101JE	1	435031014R1
R3444	CHIP TYPE CARBON RESISTOR	RN72K1J-470JE	1	435034704R1
R3445	CHIP RESISTOR NETWORK	MNR04MRAPJ470	1	43464747004R2
R3445 or	CHIP RESISTOR NETWORK	YCN104-470-JK	(1)	43464C47004R1
R3446	CHIP TYPE CARBON RESISTOR	RN72K1J-102JE	1	435031024R1
R3447	CHIP TYPE CARBON RESISTOR	RN72K1J-470JE	1	435034704R1
R3448	CHIP TYPE CARBON RESISTOR	RN72K1J-470JE	1	435034704R1
R3450	CHIP TYPE CARBON RESISTOR	RN72K1J-470JE	1	435034704R1
R3452	CHIP TYPE CARBON RESISTOR	RN72K1J-470JE	1	435034704R1
R3453	CHIP TYPE CARBON RESISTOR	RN72K1J-121JE	1	435031214R1
R3454	CHIP TYPE CARBON RESISTOR	RN72K1J-470JE	1	435034704R1
R3455	CHIP TYPE CARBON RESISTOR	RN72K1J-101JE	1	435031014R1
R3456	CHIP TYPE CARBON RESISTOR	RN72K1J-470JE	1	435034704R1
R3457	CHIP RESISTOR NETWORK	MNR04MRAPJ470	1	43464747004R2
R3457 or	CHIP RESISTOR NETWORK	YCN104-470-JK	(1)	43464C47004R1
R3462	CHIP TYPE CARBON RESISTOR	RN72K1J-102JE	1	435031024R1
R3464	CHIP TYPE CARBON RESISTOR	RN72K1J-102JE	1	435031024R1
R3465	CHIP TYPE CARBON RESISTOR	RN72K1J-102JE	1	435031024R1
R3466	CHIP TYPE CARBON RESISTOR	RN72K1J-102JE	1	435031024R1
R3469	CHIP TYPE CARBON RESISTOR	RN72K1J-222JE	1	435032224R1
R3470	CHIP TYPE CARBON RESISTOR	RN72K1J-222JE	1	435032224R1
R3473	CHIP TYPE CARBON RESISTOR	RN72K1J-103JE	1	435031034R1
R3474	CHIP TYPE CARBON RESISTOR	RN72K1J-103JE	1	435031034R1

R3481	CHIP TYPE CARBON RESISTOR	RN72K1J-332JE	1	435033324R1
R3484	CHIP TYPE CARBON RESISTOR	RN72K1J-470JE	1	435034704R1
R3485	CHIP TYPE CARBON RESISTOR	RN72K1J-470JE	1	435034704R1
R3488	CHIP TYPE CARBON RESISTOR	RN72K1J-332JE	1	435033324R1
R3491	CHIP TYPE CARBON RESISTOR	RN72K1J-332JE	1	435033324R1
R3494	CHIP RESISTOR NETWORK	MNR04MRAPJ470	1	43464747004R2
R3494 or	CHIP RESISTOR NETWORK	YCN104-470-JK	(1)	43464C47004R1
R3495	CHIP RESISTOR NETWORK	MNR04MRAPJ470	1	43464747004R2
R3495 or	CHIP RESISTOR NETWORK	YCN104-470-JK	(1)	43464C47004R1
R3496	CHIP RESISTOR NETWORK	MNR04MRAPJ470	1	43464747004R2
R3496 or	CHIP RESISTOR NETWORK	YCN104-470-JK	(1)	43464C47004R1
R3497	CHIP RESISTOR NETWORK	MNR04MRAPJ470	1	43464747004R2
R3497 or	CHIP RESISTOR NETWORK	YCN104-470-JK	(1)	43464C47004R1
R3500	CHIP TYPE CARBON RESISTOR	RN72K1J-470JE	1	435034704R1
R3501	CHIP TYPE CARBON RESISTOR	RN72K1J-470JE	1	435034704R1
R3502	CHIP TYPE CARBON RESISTOR	RN72K1J-470JE	1	435034704R1
R3503	CHIP TYPE CARBON RESISTOR	RN72K1J-470JE	1	435034704R1
R3504	CHIP TYPE CARBON RESISTOR	RN72K1J-470JE	1	435034704R1
R3505	CHIP TYPE CARBON RESISTOR	RN72K1J-470JE	1	435034704R1
R7001	CHIP RESISTOR NETWORK	MNR04MRAPJ470	1	43464747004R2
R7001 or	CHIP RESISTOR NETWORK	YCN104-470-JK	(1)	43464C47004R1
R7002	CHIP TYPE CARBON RESISTOR	RN72K1J-103JE	1	435031034R1
R7003	CHIP TYPE CARBON RESISTOR	RN72K1J-103JE	1	435031034R1
R7005	CHIP TYPE CARBON RESISTOR	RN72K1J-223JE	1	435032234R1
R7006	CHIP TYPE CARBON RESISTOR	RN72K1J-223JE	1	435032234R1
R7007	CHIP TYPE CARBON RESISTOR	RN72K1J-105JE	1	435031054R1
R7008	CHIP TYPE CARBON RESISTOR	RN72K1J-473JE	1	435034734R1
R7009	CHIP TYPE CARBON RESISTOR	RN72K1J-105JE	1	435031054R1
R7010	CHIP TYPE CARBON RESISTOR	RN72K1J-103JE	1	435031034R1
R7011	CHIP TYPE CARBON RESISTOR	RN72K1J-103JE	1	435031034R1
R7012	CHIP TYPE CARBON RESISTOR	RN72K1J-103JE	1	435031034R1
R7013	CHIP TYPE CARBON RESISTOR	RN72K1J-103JE	1	435031034R1
R7014	CHIP TYPE CARBON RESISTOR	RN72K1J-473JE	1	435034734R1
R7015	CHIP TYPE CARBON RESISTOR	RN72K1J-473JE	1	435034734R1
R7016	CHIP TYPE CARBON RESISTOR	RN72K1J-473JE	1	435034734R1
R7017	CHIP RESISTOR NETWORK	MNR04MRAPJ472	1	43464747204R2
R7017 or	CHIP RESISTOR NETWORK	YCN104-472-JK	(1)	43464C47204R1
R7018	CHIP TYPE CARBON RESISTOR	RN72K1J-221JE	1	435032214R1
R7019	CHIP RESISTOR NETWORK	MNR04MRAPJ221	1	43464722104R2
R7019 or	CHIP RESISTOR NETWORK	YCN104-221-JK	(1)	43464C22104R1
R7020	CHIP TYPE CARBON RESISTOR	RN72K1J-221JE	1	435032214R1
R7021	CHIP RESISTOR NETWORK	MNR04MRAPJ221	1	43464722104R2
R7021 or	CHIP RESISTOR NETWORK	YCN104-221-JK	(1)	43464C22104R1
R7022	CHIP TYPE CARBON RESISTOR	RN72K1J-470JE	1	435034704R1
R7023	CHIP TYPE CARBON RESISTOR	RN72K1J-105JE	1	435031054R1
R7024	CHIP TYPE CARBON RESISTOR	RN72K1J-470JE	1	435034704R1
R7025	CHIP TYPE CARBON RESISTOR	RN72K1J-224JE	1	435032244R1
R7026	CHIP TYPE CARBON RESISTOR	RN72K1J-224JE	1	435032244R1
R7027	CHIP TYPE CARBON RESISTOR	RN72K1J-470JE	1	435034704R1
R7028	CHIP TYPE CARBON RESISTOR	RN72K1J-470JE	1	435034704R1
R7029	CHIP TYPE CARBON RESISTOR	RN72K1J-102JE	1	435031024R1
R7030	CHIP TYPE CARBON RESISTOR	RN72K1J-221JE	1	435032214R1
R7031	CHIP RESISTOR NETWORK	MNR04MRAPJ221	1	43464722104R2
R7031 or	CHIP RESISTOR NETWORK	YCN104-221-JK	(1)	43464C22104R1
R7032	CHIP TYPE CARBON RESISTOR	RN72K1J-470JE	1	435034704R1
R7033	CHIP RESISTOR NETWORK	MNR04MRAPJ470	1	43464747004R2
R7033 or	CHIP RESISTOR NETWORK	YCN104-470-JK	(1)	43464C47004R1
R7034	CHIP RESISTOR NETWORK	MNR04MRAPJ221	1	43464722104R2
R7034 or	CHIP RESISTOR NETWORK	YCN104-221-JK	(1)	43464C22104R1
R7035	CHIP TYPE CARBON RESISTOR	RN72K1J-470JE	1	435034704R1
R7036	CHIP TYPE CARBON RESISTOR	RN72K1J-102JE	1	435031024R1
R7037	CHIP TYPE CARBON RESISTOR	RN72K1J-102JE	1	435031024R1
R7038	CHIP TYPE CARBON RESISTOR	RN72K1J-102JE	1	435031024R1
R7039	CHIP TYPE CARBON RESISTOR	RN72K1J-222JE	1	435032224R1
R7040	CHIP TYPE CARBON RESISTOR	RN72K1J-222JE	1	435032224R1
R7041	CHIP TYPE CARBON RESISTOR	RN72K1J-222JE	1	435032224R1
R7042	CHIP RESISTOR NETWORK	MNR04MRAPJ221	1	43464722104R2
R7042 or	CHIP RESISTOR NETWORK	YCN104-221-JK	(1)	43464C22104R1
R7044	CHIP TYPE CARBON RESISTOR	RN72K1J-470JE	1	435034704R1
R7046	CHIP TYPE CARBON RESISTOR	RN72K1J-221JE	1	435032214R1
R7048	CHIP TYPE CARBON RESISTOR	RN72K1J-221JE	1	435032214R1

R7049	CHIP TYPE CARBON RESISTOR	RN72K1J-470JE	1	435034704R1
R7050	CHIP TYPE CARBON RESISTOR	RN72K1J-103JE	1	435031034R1
R7051	CHIP TYPE CARBON RESISTOR	RN72K1J-105JE	1	435031054R1
R7052	CHIP TYPE CARBON RESISTOR	RN72K1J-105JE	1	435031054R1
R7053	CHIP TYPE CARBON RESISTOR	RN72K1J-105JE	1	435031054R1
R7054	CHIP TYPE CARBON RESISTOR	RN72K1J-102JE	1	435031024R1
R7055	CHIP TYPE CARBON RESISTOR	RN72K1J-102JE	1	435031024R1
R7056	CHIP TYPE CARBON RESISTOR	RN72K1J-102JE	1	435031024R1
R7059	CHIP TYPE CARBON RESISTOR	RN72K1J-224JE	1	435032244R1
R7060	CHIP TYPE CARBON RESISTOR	RN72K1J-473JE	1	435034734R1
R7061	CHIP RESISTOR NETWORK	MNR04MRAPJ221	1	43464722104R2
R7061 or	CHIP RESISTOR NETWORK	YCN104-221-JK	(1)	43464C22104R1
R7062	CHIP TYPE CARBON RESISTOR	RN72K1J-103JE	1	435031034R1
R7063	CHIP TYPE CARBON RESISTOR	RN72K1J-103JE	1	435031034R1
R7064	CHIP TYPE CARBON RESISTOR	RN72K1J-222JE	1	435032224R1
R7065	CHIP TYPE CARBON RESISTOR	RN72K1J-473JE	1	435034734R1
R7066	CHIP TYPE CARBON RESISTOR	RN72K1J-470JE	1	435034704R1
R7067	CHIP TYPE CARBON RESISTOR	RN72K1J-000JE	1	435030004R1
R7068	CHIP TYPE CARBON RESISTOR	RN72K1J-000JE	1	435030004R1
R7069	CHIP RESISTOR NETWORK	MNR04MRAPJ470	1	43464747004R2
R7069 or	CHIP RESISTOR NETWORK	YCN104-470-JK	(1)	43464C47004R1
R7070	CHIP RESISTOR NETWORK	MNR04MRAPJ221	1	43464722104R2
R7070 or	CHIP RESISTOR NETWORK	YCN104-221-JK	(1)	43464C22104R1
R7071	CHIP TYPE CARBON RESISTOR	RN72K1J-103JE	1	435031034R1
R7072	CHIP TYPE CARBON RESISTOR	RN72K1J-470JE	1	435034704R1
R7073	CHIP TYPE CARBON RESISTOR	RN72K1J-102JE	1	435031024R1
R7074	CHIP TYPE CARBON RESISTOR	RN72K1J-470JE	1	435034704R1
R7075	CHIP RESISTOR NETWORK	MNR04MRAPJ470	1	43464747004R2
R7075 or	CHIP RESISTOR NETWORK	YCN104-470-JK	(1)	43464C47004R1
R7076	CHIP TYPE CARBON RESISTOR	RN72K1J-221JE	1	435032214R1
R7077	CHIP TYPE CARBON RESISTOR	RN72K1J-103JE	1	435031034R1
R7078	CHIP TYPE CARBON RESISTOR	RN72K1J-103JE	1	435031034R1
R7079	CHIP RESISTOR NETWORK	MNR04MRAPJ221	1	43464722104R2
R7079 or	CHIP RESISTOR NETWORK	YCN104-221-JK	(1)	43464C22104R1
R7080	CHIP TYPE CARBON RESISTOR	RN72K1J-103JE	1	435031034R1
R7081	CHIP RESISTOR NETWORK	MNR04MRAPJ221	1	43464722104R2
R7081 or	CHIP RESISTOR NETWORK	YCN104-221-JK	(1)	43464C22104R1
R7082	CHIP TYPE CARBON RESISTOR	RN72K1J-104JE	1	435031044R1
R7083	CHIP TYPE CARBON RESISTOR	RN72K1J-332JE	1	435033324R1
R7084	CHIP TYPE CARBON RESISTOR	RN72K1J-331JE	1	435033314R1
R7087	CHIP TYPE CARBON RESISTOR	RN72K1J-273JE	1	435032734R1
R7091	CHIP TYPE CARBON RESISTOR	RN72K1J-221JE	1	435032214R1
R7092	CHIP TYPE CARBON RESISTOR	RN72K1J-470JE	1	435034704R1
R7093	CHIP TYPE CARBON RESISTOR	RN72K1J-472JE	1	435034724R1
R7094	CHIP TYPE CARBON RESISTOR	RN72K1J-472JE	1	435034724R1
R7095	CHIP RESISTOR NETWORK	MNR04MRAPJ221	1	43464722104R2
R7095 or	CHIP RESISTOR NETWORK	YCN104-221-JK	(1)	43464C22104R1
R7098	CHIP RESISTOR NETWORK	MNR04MRAPJ221	1	43464722104R2
R7098 or	CHIP RESISTOR NETWORK	YCN104-221-JK	(1)	43464C22104R1
R7099	CHIP RESISTOR NETWORK	MNR04MRAPJ470	1	43464747004R2
R7099 or	CHIP RESISTOR NETWORK	YCN104-470-JK	(1)	43464C47004R1
R7101	CHIP TYPE CARBON RESISTOR	RN72K1J-221JE	1	435032214R1
R7103	CHIP TYPE CARBON RESISTOR	RN72K1J-221JE	1	435032214R1
R7104	CHIP TYPE CARBON RESISTOR	RN72K1J-470JE	1	435034704R1
R7105	CHIP RESISTOR NETWORK	MNR04MRAPJ470	1	43464747004R2
R7105 or	CHIP RESISTOR NETWORK	YCN104-470-JK	(1)	43464C47004R1
R7106	CHIP TYPE CARBON RESISTOR	RN72K1J-101JE	1	435031014R1
R7107	CHIP TYPE CARBON RESISTOR	RN72K1J-101JE	1	435031014R1
R7108	CHIP RESISTOR NETWORK	MNR04MRAPJ103	1	43464710304R2
R7108 or	CHIP RESISTOR NETWORK	YCN104-103-JK	(1)	43464C10304R1
R7110	CHIP TYPE CARBON RESISTOR	RN72K1J-103JE	1	435031034R1
R7113	CHIP TYPE CARBON RESISTOR	RN72K1J-470JE	1	435034704R1
R7121	CHIP TYPE CARBON RESISTOR	RN72K1J-105JE	1	435031054R1
R7122	CHIP TYPE CARBON RESISTOR	RN72K1J-105JE	1	435031054R1
R7123	CHIP RESISTOR NETWORK	MNR04MRAPJ221	1	43464722104R2
R7123 or	CHIP RESISTOR NETWORK	YCN104-221-JK	(1)	43464C22104R1
R7125	CHIP TYPE CARBON RESISTOR	RN72K1J-473JE	1	435034734R1
R7132	CHIP TYPE CARBON RESISTOR	RN72K1J-331JE	1	435033314R1
R7133	CHIP TYPE CARBON RESISTOR	RN72K1J-221JE	1	435032214R1
R7134	CHIP TYPE CARBON RESISTOR	RN72K1J-221JE	1	435032214R1
R7135	CHIP TYPE CARBON RESISTOR	RN72K1J-103JE	1	435031034R1

R7136	CHIP TYPE CARBON RESISTOR	RN72K1J-470JE	1	435034704R1	
R7137	CHIP TYPE CARBON RESISTOR	RN72K1J-221JE	1	435032214R1	
R7138	CHIP TYPE CARBON RESISTOR	RN72K1J-470JE	1	435034704R1	
R7140	CHIP TYPE CARBON RESISTOR	RN72K1J-103JE	1	435031034R1	
R7141	CHIP TYPE CARBON RESISTOR	RN72K1J-103JE	1	435031034R1	
R7142	CHIP TYPE CARBON RESISTOR	RN72K1J-470JE	1	435034704R1	
R7161	CHIP TYPE CARBON RESISTOR	RN72K1J-103JE	1	435031034R1	
R7170	CHIP TYPE CARBON RESISTOR	RN72K1J-102JE	1	435031024R1	
R7171	CHIP TYPE CARBON RESISTOR	RN72K1J-473JE	1	435034734R1	
R7172	CHIP TYPE CARBON RESISTOR	RN72K1J-222JE	1	435032224R1	
R7180	CHIP TYPE CARBON RESISTOR	RN72K1J-272JE	1	435032724R1	
R7181	CHIP TYPE CARBON RESISTOR	RN72K1J-272JE	1	435032724R1	
R7182	CHIP TYPE CARBON RESISTOR	RN72K1J-272JE	1	435032724R1	
R7183	CHIP TYPE CARBON RESISTOR	RN72K1J-272JE	1	435032724R1	
R7184	CHIP TYPE CARBON RESISTOR	RN72K1J-103JE	1	435031034R1	
R7186	CHIP TYPE CARBON RESISTOR	RN72K1J-104JE	1	435031044R1	
R7187	CHIP TYPE CARBON RESISTOR	RN72K1J-104JE	1	435031044R1	
R7188	CHIP TYPE CARBON RESISTOR	RN72K1J-104JE	1	435031044R1	
R7190	CHIP TYPE CARBON RESISTOR	RN72K1J-102JE	1	435031024R1	
R7191	CHIP TYPE CARBON RESISTOR	RN72K1J-473JE	1	435034734R1	
R7192	CHIP TYPE CARBON RESISTOR	RN72K1J-222JE	1	435032224R1	
R7193	CHIP TYPE CARBON RESISTOR	RN72K1J-470JE	1	435034704R1	
R8000	CHIP TYPE CARBON RESISTOR	RN72K1J-473JE	1	435034734R1	
R8001	CHIP TYPE CARBON RESISTOR	RN72K1J-102JE	1	435031024R1	
R8002	CHIP TYPE CARBON RESISTOR	RN72K1J-470JE	1	435034704R1	
R8003	CHIP TYPE CARBON RESISTOR	RN72K1J-103JE	1	435031034R1	
R8004	CHIP TYPE CARBON RESISTOR	RN72K1J-470JE	1	435034704R1	
R8005	CHIP TYPE CARBON RESISTOR	RN72K1J-472JE	1	435034724R1	
R8006	CHIP TYPE CARBON RESISTOR	RN72K1J-101JE	1	435031014R1	
R8007	CHIP TYPE CARBON RESISTOR	RN72K1J-470JE	1	435034704R1	
R8008	CHIP TYPE CARBON RESISTOR	RN72K1J-472JE	1	435034724R1	
R8009	CHIP TYPE CARBON RESISTOR	RN72K1J-101JE	1	435031014R1	
R8010	CHIP TYPE CARBON RESISTOR	RN72K1J-105JE	1	435031054R1	
R8011	CHIP TYPE CARBON RESISTOR	RN72K1J-473JE	1	435034734R1	
R8012	CHIP TYPE CARBON RESISTOR	RN72K1J-473JE	1	435034734R1	
R8013	CHIP TYPE CARBON RESISTOR	RN72K1J-473JE	1	435034734R1	
R8014	CHIP TYPE CARBON RESISTOR	RN72K1J-102JE	1	435031024R1	
R8015	CHIP TYPE CARBON RESISTOR	RN72K1J-103JE	1	435031034R1	
R8016	CHIP TYPE CARBON RESISTOR	RN72K1J-102JE	1	435031024R1	
R8017	CHIP TYPE CARBON RESISTOR	RN72K1J-103JE	1	435031034R1	
R8018	CHIP TYPE CARBON RESISTOR	RN72K1J-102JE	1	435031024R1	
R8019	CHIP TYPE CARBON RESISTOR	RN72K1J-103JE	1	435031034R1	
R8020	CHIP RESISTOR NETWORK	MNR04MRAPJ222	1	43464722204R2	N
R8020 or	CHIP RESISTOR NETWORK	YCN104-222-JK	(1)	43464C22204R1	
R8021	CHIP TYPE CARBON RESISTOR	RN72K1J-182JE	1	435031824R1	
R8022	CHIP TYPE CARBON RESISTOR	RN72K1J-182JE	1	435031824R1	
R8023	CHIP TYPE CARBON RESISTOR	RN72K1J-100JE	1	435031004R1	
R8024	CHIP TYPE CARBON RESISTOR	RN72K1J-473JE	1	435034734R1	
R8025	CHIP TYPE CARBON RESISTOR	RN72K1J-560JE	1	435035604R1	
R8026	CHIP TYPE CARBON RESISTOR	RN72K1J-560JE	1	435035604R1	
R8027	CHIP TYPE CARBON RESISTOR	RN72K1J-472JE	1	435034724R1	
R8028	CHIP TYPE CARBON RESISTOR	RN72K1J-103JE	1	435031034R1	
R8029	CHIP TYPE CARBON RESISTOR	RN72K1J-103JE	1	435031034R1	
R8030	CHIP TYPE CARBON RESISTOR	RN72K1J-473JE	1	435034734R1	
R8031	CHIP TYPE CARBON RESISTOR	RN72K1J-103JE	1	435031034R1	
R8032	CHIP TYPE CARBON RESISTOR	RN72K1J-103JE	1	435031034R1	
R8033	CHIP TYPE CARBON RESISTOR	RN72K1J-000JE	1	435030004R1	
R8034	CHIP TYPE CARBON RESISTOR	RN72K1J-103JE	1	435031034R1	
R8035	CHIP TYPE CARBON RESISTOR	RN72K1J-000JE	1	435030004R1	
R8037	CHIP TYPE CARBON RESISTOR	RN72K1J-102JE	1	435031024R1	
R8038	CHIP TYPE CARBON RESISTOR	RN72K1J-102JE	1	435031024R1	
R8075	CHIP TYPE CARBON RESISTOR	RN72K1J-473JE	1	435034734R1	
R8204	CHIP TYPE CARBON RESISTOR	RN72K1J-330JE	1	435033304R1	
R8208	CHIP TYPE CARBON RESISTOR	RN72K1J-560JE	1	435035604R1	
R8209	CHIP TYPE CARBON RESISTOR	RN72K1J-472JE	1	435034724R1	
R8215	CHIP TYPE CARBON RESISTOR	RN72K1J-560JE	1	435035604R1	
R8218	CHIP TYPE CARBON RESISTOR	RN72K1J-560JE	1	435035604R1	
R8220	CHIP TYPE CARBON RESISTOR	RN72K1J-821JE	1	435038214R1	
R8221	CHIP TYPE CARBON RESISTOR	RN72K1J-821JE	1	435038214R1	
R8223	CHIP TYPE CARBON RESISTOR	RN72K1J-821JE	1	435038214R1	
R8225	CHIP TYPE CARBON RESISTOR	RN72K1J-221JE	1	435032214R1	

R8226	CHIP TYPE CARBON RESISTOR	RN72K1J-221JE	1	435032214R1	
R8228	CHIP TYPE CARBON RESISTOR	RN72K1J-221JE	1	435032214R1	
R8233	CHIP TYPE CARBON RESISTOR	RN72K1J-000JE	1	435030004R1	
R8237	CHIP TYPE CARBON RESISTOR	RN72K1J-105JE	1	435031054R1	
R8238	CHIP TYPE CARBON RESISTOR	RN72K1J-331JE	1	435033314R1	
R8240	CHIP TYPE CARBON RESISTOR	RN72K1J-681JE	1	435036814R1	
R8243	CHIP TYPE CARBON RESISTOR	RN72K1J-681JE	1	435036814R1	
R8244	CHIP TYPE CARBON RESISTOR	RN72K1J-330JE	1	435033304R1	
R8300	CHIP TYPE CARBON RESISTOR	RN72K1J-220JE	1	435032204R1	
R8301	CHIP TYPE CARBON RESISTOR	RN72K1J-220JE	1	435032204R1	
R8302	CHIP TYPE CARBON RESISTOR	RN72K1J-103JE	1	435031034R1	
R8303	CHIP TYPE CARBON RESISTOR	RN72K1J-562JE	1	435035624R1	
R8304	CHIP TYPE CARBON RESISTOR	RN72K1J-472JE	1	435034724R1	
R8306	CHIP TYPE CARBON RESISTOR	RN72K1J-562JE	1	435035624R1	
R8307	CHIP TYPE CARBON RESISTOR	RN72K1J-472JE	1	435034724R1	
R8308	CHIP TYPE CARBON RESISTOR	RN72K1J-562JE	1	435035624R1	
R8312	CHIP TYPE CARBON RESISTOR	RN72K1J-100JE	1	435031004R1	
R8317	CHIP TYPE CARBON RESISTOR	RN72K1J-100JE	1	435031004R1	
R8318	CHIP RESISTOR NETWORK	MNR04MRAPJ222	1	43464722204R2	N
R8318 or	CHIP RESISTOR NETWORK	YCN104-222-JK	(1)	43464C22204R1	
R8319	CHIP TYPE CARBON RESISTOR	RN72K1J-100JE	1	435031004R1	
R8320	CHIP TYPE CARBON RESISTOR	RN72K1J-100JE	1	435031004R1	
R8321	CHIP TYPE CARBON RESISTOR	RN72K1J-330JE	1	435033304R1	
R8322	CHIP TYPE CARBON RESISTOR	RN72K1J-330JE	1	435033304R1	
R8323	CHIP TYPE CARBON RESISTOR	RN72K1J-330JE	1	435033304R1	
R8324	CHIP TYPE CARBON RESISTOR	RN72K1J-330JE	1	435033304R1	
R8325	CHIP TYPE CARBON RESISTOR	RN72K1J-000JE	1	435030004R1	
R8334	CHIP TYPE CARBON RESISTOR	RN72K1J-000JE	1	435030004R1	
R8335	CHIP TYPE CARBON RESISTOR	RN72K1J-330JE	1	435033304R1	
R8336	CHIP TYPE CARBON RESISTOR	RN72K1J-330JE	1	435033304R1	
R8338	CHIP TYPE CARBON RESISTOR	RN72K1J-330JE	1	435033304R1	
R8339	CHIP TYPE CARBON RESISTOR	RN72K1J-330JE	1	435033304R1	
R8342	CHIP RESISTOR NETWORK	MNR04MRAPJ220	1	43464722004R2	
R8342 or	CHIP RESISTOR NETWORK	YCN104-220-JK	(1)	43464C22004R1	
R8343	CHIP RESISTOR NETWORK	MNR04MRAPJ220	1	43464722004R2	
R8343 or	CHIP RESISTOR NETWORK	YCN104-220-JK	(1)	43464C22004R1	
R8346	CHIP TYPE CARBON RESISTOR	RN72K1J-220JE	1	435032204R1	
R8350	CHIP TYPE CARBON RESISTOR	RN72K1J-100JE	1	435031004R1	
R8353	CHIP TYPE CARBON RESISTOR	RN72K1J-100JE	1	435031004R1	
R8354	CHIP TYPE CARBON RESISTOR	RN72K1J-100JE	1	435031004R1	
R8355	CHIP TYPE CARBON RESISTOR	RN72K1J-100JE	1	435031004R1	
R8356	CHIP TYPE CARBON RESISTOR	RN72K1J-473JE	1	435034734R1	
R8357	CHIP TYPE CARBON RESISTOR	RN72K1J-101JE	1	435031014R1	
R8358	CHIP TYPE CARBON RESISTOR	RN72K1J-102JE	1	435031024R1	
R8359	CHIP TYPE CARBON RESISTOR	RN72K1J-124JE	1	435031244R1	
R8361	CHIP TYPE CARBON RESISTOR	RN72K1J-473JE	1	435034734R1	
R8362	CHIP TYPE CARBON RESISTOR	RN72K1J-100JE	1	435031004R1	
R8363	CHIP RESISTOR NETWORK	MNR04MRAPJ330	1	43464733004R2	
R8363 or	CHIP RESISTOR NETWORK	YCN104-330-JK	(1)	43464C33004R1	
R8365	CHIP TYPE CARBON RESISTOR	RN72K1J-103JE	1	435031034R1	
R8372	CHIP TYPE CARBON RESISTOR	RN72K1J-100JE	1	435031004R1	
R8373	CHIP TYPE CARBON RESISTOR	RN72K1J-100JE	1	435031004R1	
R8374	CHIP TYPE CARBON RESISTOR	RN72K1J-100JE	1	435031004R1	
R8400	CHIP RESISTOR NETWORK	MNR04MRAPJ103	1	43464710304R2	
R8400 or	CHIP RESISTOR NETWORK	YCN104-103-JK	(1)	43464C10304R1	
R8401	CHIP TYPE CARBON RESISTOR	RN72K1J-103JE	1	435031034R1	
R8402	CHIP RESISTOR NETWORK	MNR04MRAPJ470	1	43464747004R2	
R8402 or	CHIP RESISTOR NETWORK	YCN104-470-JK	(1)	43464C47004R1	
R8403	CHIP TYPE CARBON RESISTOR	RN72K1J-473JE	1	435034734R1	
R8405	CHIP TYPE CARBON RESISTOR	RN72K1J-470JE	1	435034704R1	
R8406	CHIP TYPE CARBON RESISTOR	RN72K1J-101JE	1	435031014R1	
R8407	CHIP TYPE CARBON RESISTOR	RN72K1J-470JE	1	435034704R1	
R8408	CHIP TYPE CARBON RESISTOR	RN72K1J-470JE	1	435034704R1	
R8413	CHIP TYPE CARBON RESISTOR	RN72K1J-470JE	1	435034704R1	
R8414	CHIP TYPE CARBON RESISTOR	RN72K1J-470JE	1	435034704R1	
R8415	CHIP TYPE CARBON RESISTOR	RN72K1J-470JE	1	435034704R1	
R8416	CHIP TYPE CARBON RESISTOR	RN72K1J-101JE	1	435031014R1	
R8417	CHIP TYPE CARBON RESISTOR	RN72K1J-105JE	1	435031054R1	
R8418	CHIP TYPE CARBON RESISTOR	RN72K1J-470JE	1	435034704R1	
R8419	CHIP TYPE CARBON RESISTOR	RN72K1J-470JE	1	435034704R1	
R8420	CHIP TYPE CARBON RESISTOR	RN72K1J-470JE	1	435034704R1	

R8421	CHIP TYPE CARBON RESISTOR	RN72K1J-103JE	1	435031034R1
R8422	CHIP TYPE CARBON RESISTOR	RN72K1J-101JE	1	435031014R1
R8423	CHIP TYPE CARBON RESISTOR	RN72K1J-332JE	1	435033324R1
R8424	CHIP TYPE CARBON RESISTOR	RN72K1J-332JE	1	435033324R1
R8425	CHIP TYPE CARBON RESISTOR	RN72K1J-470JE	1	435034704R1
R8426	CHIP TYPE CARBON RESISTOR	RN72K1J-470JE	1	435034704R1
R8427	CHIP TYPE CARBON RESISTOR	RN72K1J-100JE	1	435031004R1
R8429	CHIP TYPE CARBON RESISTOR	RN72K1J-470JE	1	435034704R1
R8430	CHIP TYPE CARBON RESISTOR	RN72K1J-470JE	1	435034704R1
R8431	CHIP TYPE CARBON RESISTOR	RN72K1J-470JE	1	435034704R1
R8432	CHIP TYPE CARBON RESISTOR	RN72K1J-470JE	1	435034704R1
R8437	CHIP TYPE CARBON RESISTOR	RN72K1J-473JE	1	435034734R1
R8438	CHIP TYPE CARBON RESISTOR	RN72K1J-220JE	1	435032204R1
R8439	CHIP TYPE CARBON RESISTOR	RN72K1J-220JE	1	435032204R1
R8440	CHIP TYPE CARBON RESISTOR	RN72K1J-220JE	1	435032204R1
R8441	CHIP TYPE CARBON RESISTOR	RN72K1J-220JE	1	435032204R1
R8442	CHIP TYPE CARBON RESISTOR	RN72K1J-220JE	1	435032204R1
R8443	CHIP TYPE CARBON RESISTOR	RN72K1J-220JE	1	435032204R1
R8444	CHIP TYPE CARBON RESISTOR	RN72K1J-221JE	1	435032214R1
R8445	CHIP TYPE CARBON RESISTOR	RN72K1J-220JE	1	435032204R1
R8446	CHIP TYPE CARBON RESISTOR	RN72K1J-472JE	1	435034724R1
R8447	CHIP TYPE CARBON RESISTOR	RN72K1J-102JE	1	435031024R1
R8448	CHIP TYPE CARBON RESISTOR	RN72K1J-103JE	1	435031034R1
R8449	CHIP TYPE CARBON RESISTOR	RN72K1J-182JE	1	435031824R1
R8450	CHIP TYPE CARBON RESISTOR	RN72K1J-182JE	1	435031824R1
R8451	CHIP TYPE CARBON RESISTOR	RN72K1J-000JE	1	435030004R1
R8452	CHIP TYPE CARBON RESISTOR	RN72K1J-103FE	1	435031032R1
R8453	CHIP TYPE CARBON RESISTOR	RN72K1J-223FE	1	435032232R1
R8458	CHIP TYPE CARBON RESISTOR	RN72K1J-100JE	1	435031004R1
R8459	CHIP TYPE CARBON RESISTOR	RN72K1J-560JE	1	435035604R1
R8461	CHIP TYPE CARBON RESISTOR	RN72K1J-560JE	1	435035604R1
R8462	CHIP TYPE CARBON RESISTOR	RN72K1J-473JE	1	435034734R1
R8463	CHIP TYPE CARBON RESISTOR	RN72K1J-470JE	1	435034704R1
R8464	CHIP RESISTOR NETWORK	MNR04MRAPJ470	1	43464747004R2
R8464 or	CHIP RESISTOR NETWORK	YCN104-470-JK	(1)	43464C47004R1
R8465	CHIP RESISTOR NETWORK	MNR04MRAPJ101	1	43464710104R2
R8465 or	CHIP RESISTOR NETWORK	YCN104-101-JK	(1)	43464C10104R1
R8600	CHIP TYPE CARBON RESISTOR	RN72K1J-000JE	1	435030004R1
R8603	CHIP TYPE CARBON RESISTOR	RN72K1J-473JE	1	435034734R1
R8604	CHIP TYPE CARBON RESISTOR	RN72K1J-473JE	1	435034734R1
R8605	CHIP TYPE CARBON RESISTOR	RN72K1J-100JE	1	435031004R1
R8606	CHIP TYPE CARBON RESISTOR	RN72K1J-000JE	1	435030004R1
R8613	CHIP TYPE CARBON RESISTOR	RN72K1J-473JE	1	435034734R1
R8614	CHIP TYPE CARBON RESISTOR	RN72K1J-473JE	1	435034734R1
R8615	CHIP TYPE CARBON RESISTOR	RN72K1J-100JE	1	435031004R1
R8623	CHIP TYPE CARBON RESISTOR	RN72K1J-473JE	1	435034734R1
R8624	CHIP TYPE CARBON RESISTOR	RN72K1J-473JE	1	435034734R1
R8625	CHIP TYPE CARBON RESISTOR	RN72K1J-100JE	1	435031004R1
R8633	CHIP TYPE CARBON RESISTOR	RN72K1J-473JE	1	435034734R1
R8634	CHIP TYPE CARBON RESISTOR	RN72K1J-473JE	1	435034734R1
R8635	CHIP TYPE CARBON RESISTOR	RN72K1J-100JE	1	435031004R1
R8645	CHIP TYPE CARBON RESISTOR	RN72K1J-100JE	1	435031004R1
R8663	CHIP TYPE CARBON RESISTOR	RN72K1J-473JE	1	435034734R1
R8664	CHIP TYPE CARBON RESISTOR	RN72K1J-473JE	1	435034734R1
R8665	CHIP TYPE CARBON RESISTOR	RN72K1J-100JE	1	435031004R1
R8702	CHIP RESISTOR NETWORK	MNR04MRAPJ221	1	43464722104R2
R8702 or	CHIP RESISTOR NETWORK	YCN104-221-JK	(1)	43464C22104R1
R8703	CHIP TYPE CARBON RESISTOR	RN72K1J-103JE	1	435031034R1
R8704	CHIP RESISTOR NETWORK	MNR04MRAPJ470	1	43464747004R2
R8704 or	CHIP RESISTOR NETWORK	YCN104-470-JK	(1)	43464C47004R1
R8705	CHIP TYPE CARBON RESISTOR	RN72K1J-473JE	1	435034734R1
R8706	CHIP TYPE CARBON RESISTOR	RN72K1J-101JE	1	435031014R1
R8707	CHIP RESISTOR NETWORK	MNR04MRAPJ103	1	43464710304R2
R8707 or	CHIP RESISTOR NETWORK	YCN104-103-JK	(1)	43464C10304R1
R8708	CHIP TYPE CARBON RESISTOR	RN72K1J-101JE	1	435031014R1
R8709	CHIP TYPE CARBON RESISTOR	RN72K1J-470JE	1	435034704R1
R8710	CHIP TYPE CARBON RESISTOR	RN72K1J-102JE	1	435031024R1
R8711	CHIP TYPE CARBON RESISTOR	RN72K1J-103JE	1	435031034R1
R8712	CHIP TYPE CARBON RESISTOR	RN72K1J-470JE	1	435034704R1
R8713	CHIP TYPE CARBON RESISTOR	RN72K1J-101JE	1	435031014R1
R8714	CHIP TYPE CARBON RESISTOR	RN72K1J-103JE	1	435031034R1

R8715	CHIP TYPE CARBON RESISTOR	RN72K1J-103JE	1	435031034R1
R8716	CHIP TYPE CARBON RESISTOR	RN72K1J-332JE	1	435033324R1
R8717	CHIP TYPE CARBON RESISTOR	RN72K1J-332JE	1	435033324R1
R8718	CHIP TYPE CARBON RESISTOR	RN72K1J-222JE	1	435032224R1
R8719	CHIP TYPE CARBON RESISTOR	RN72K1J-222JE	1	435032224R1
R8720	CHIP TYPE CARBON RESISTOR	RN72K1J-103JE	1	435031034R1
R8721	CHIP RESISTOR NETWORK	MNR04MRAPJ470	1	43464747004R2
R8721 or	CHIP RESISTOR NETWORK	YCN104-470-JK	(1)	43464C47004R1
R8723	CHIP TYPE CARBON RESISTOR	RN72K1J-472JE	1	435034724R1
R8724	CHIP TYPE CARBON RESISTOR	RN72K1J-473JE	1	435034734R1
R8725	CHIP TYPE CARBON RESISTOR	RN72K1J-470JE	1	435034704R1
R8726	CHIP TYPE CARBON RESISTOR	RN72K1J-103JE	1	435031034R1
R8727	CHIP RESISTOR NETWORK	MNR04MRAPJ221	1	43464722104R2
R8727 or	CHIP RESISTOR NETWORK	YCN104-221-JK	(1)	43464C22104R1
R8728	CHIP TYPE CARBON RESISTOR	RN72K1J-103JE	1	435031034R1
R8729	CHIP TYPE CARBON RESISTOR	RN72K1J-221JE	1	435032214R1
R8730	CHIP TYPE CARBON RESISTOR	RN72K1J-470JE	1	435034704R1
R8731	CHIP RESISTOR NETWORK	MNR04MRAPJ103	1	43464710304R2
R8731 or	CHIP RESISTOR NETWORK	YCN104-103-JK	(1)	43464C10304R1
R8732	CHIP TYPE CARBON RESISTOR	RN72K1J-221JE	1	435032214R1
R8733	CHIP TYPE CARBON RESISTOR	RN72K1J-105JE	1	435031054R1
R8734	CHIP TYPE CARBON RESISTOR	RN72K1J-470JE	1	435034704R1
R8735	CHIP TYPE CARBON RESISTOR	RN72K1J-221JE	1	435032214R1
R8736	CHIP TYPE CARBON RESISTOR	RN72K1J-102JE	1	435031024R1
R8737	CHIP TYPE CARBON RESISTOR	RN72K1J-472JE	1	435034724R1
R8738	CHIP TYPE CARBON RESISTOR	RN72K1J-103JE	1	435031034R1
R8739	CHIP TYPE CARBON RESISTOR	RN72K1J-102JE	1	435031024R1
R8740	CHIP TYPE CARBON RESISTOR	RN72K1J-103JE	1	435031034R1
R8741	CHIP TYPE CARBON RESISTOR	RN72K1J-102JE	1	435031024R1
R8742	CHIP TYPE CARBON RESISTOR	RN72K1J-103JE	1	435031034R1
R8743	CHIP TYPE CARBON RESISTOR	RN72K1J-103JE	1	435031034R1
R8744	CHIP TYPE CARBON RESISTOR	RN72K1J-470JE	1	435034704R1
R8745	CHIP TYPE CARBON RESISTOR	RN72K1J-103JE	1	435031034R1
R8746	CHIP TYPE CARBON RESISTOR	RN72K1J-470JE	1	435034704R1
R8747	CHIP TYPE CARBON RESISTOR	RN72K1J-105JE	1	435031054R1
R8748	CHIP TYPE CARBON RESISTOR	RN72K1J-470JE	1	435034704R1
R8749	CHIP TYPE CARBON RESISTOR	RN72K1J-103JE	1	435031034R1
R8750	CHIP TYPE CARBON RESISTOR	RN72K1J-470JE	1	435034704R1
R8751	CHIP TYPE CARBON RESISTOR	RN72K1J-103JE	1	435031034R1
R8752	CHIP RESISTOR NETWORK	MNR04MRAPJ101	1	43464710104R2
R8752 or	CHIP RESISTOR NETWORK	YCN104-101-JK	(1)	43464C10104R1
R8753	CHIP RESISTOR NETWORK	MNR04MRAPJ470	1	43464747004R2
R8753 or	CHIP RESISTOR NETWORK	YCN104-470-JK	(1)	43464C47004R1
R8754	CHIP TYPE CARBON RESISTOR	RN72K1J-470JE	1	435034704R1
R8755	CHIP TYPE CARBON RESISTOR	RN72K1J-103JE	1	435031034R1
R8756	CHIP TYPE CARBON RESISTOR	RN72K1J-470JE	1	435034704R1
R8757	CHIP RESISTOR NETWORK	MNR04MRAPJ101	1	43464710104R2
R8757 or	CHIP RESISTOR NETWORK	YCN104-101-JK	(1)	43464C10104R1
R8758	CHIP TYPE CARBON RESISTOR	RN72K1J-103JE	1	435031034R1
R8759	CHIP TYPE CARBON RESISTOR	RN72K1J-103JE	1	435031034R1
R8760	CHIP TYPE CARBON RESISTOR	RN72K1J-103JE	1	435031034R1
R8790	CHIP TYPE CARBON RESISTOR	RN72K1J-101JE	1	435031014R1
R8791	CHIP TYPE CARBON RESISTOR	RN72K1J-101JE	1	435031014R1
R8900	CHIP TYPE CARBON RESISTOR	RN72K1J-472JE	1	435034724R1
R8901	CHIP TYPE CARBON RESISTOR	RN72K1J-103JE	1	435031034R1
R8902	CHIP TYPE CARBON RESISTOR	RN72K1J-102JE	1	435031024R1
R8903	CHIP TYPE CARBON RESISTOR	RN72K1J-102JE	1	435031024R1
R8922	CHIP TYPE CARBON RESISTOR	RN72K1J-473JE	1	435034734R1
R8923	CHIP TYPE CARBON RESISTOR	RN72K1J-332JE	1	435033324R1
R8924	CHIP TYPE CARBON RESISTOR	RN72K1J-682FE	1	435036822R1
R8925	CHIP TYPE CARBON RESISTOR	RN72K1J-332FE	1	435033322R1
R8926	CHIP TYPE CARBON RESISTOR	RN72K1J-103FE	1	435031032R1
R8932	CHIP TYPE CARBON RESISTOR	RN72K1J-473JE	1	435034734R1
R8933	CHIP TYPE CARBON RESISTOR	RN72K1J-332JE	1	435033324R1
R8934	CHIP TYPE CARBON RESISTOR	RN72K1J-272FE	1	435032722R1
R8935	CHIP TYPE CARBON RESISTOR	RN72K1J-222FE	1	435032222R1
R8936	CHIP TYPE CARBON RESISTOR	RN72K1J-103FE	1	435031032R1
R8939	CHIP TYPE CARBON RESISTOR	RN72K1J-102JE	1	435031024R1
R8942	CHIP TYPE CARBON RESISTOR	RN72K1J-473JE	1	435034734R1
R8943	CHIP TYPE CARBON RESISTOR	RN72K1J-472JE	1	435034724R1
R8944	CHIP TYPE CARBON RESISTOR	RN72K1J-103FE	1	435031032R1

R8946	CHIP TYPE CARBON RESISTOR	RN72K1J-103FE	1	435031032R1
R8949	CHIP TYPE CARBON RESISTOR	RN72K1J-104JE	1	435031044R1
R8952	CHIP TYPE CARBON RESISTOR	RN72K1J-473JE	1	435034734R1
R8953	CHIP TYPE CARBON RESISTOR	RN72K1J-682JE	1	435036824R1
R8954	CHIP TYPE CARBON RESISTOR	RN72K1J-333FE	1	435033332R1
R8955	CHIP TYPE CARBON RESISTOR	RN72K1J-124FE	1	435031242R1
R8956	CHIP TYPE CARBON RESISTOR	RN72K1J-103FE	1	435031032R1
R8958	CHIP TYPE CARBON RESISTOR	RN72K1J-473JE	1	435034734R1
R8959	CHIP TYPE CARBON RESISTOR	RN72K1J-473JE	1	435034734R1
R8962	CHIP TYPE CARBON RESISTOR	RN72K1J-473JE	1	435034734R1
R8963	CHIP TYPE CARBON RESISTOR	RN72K1J-103JE	1	435031034R1
R8964	CHIP TYPE CARBON RESISTOR	RN72K1J-563FE	1	435035632R1
R8965	CHIP TYPE CARBON RESISTOR	RN72K1J-274JE	1	435032744R1
R8966	CHIP TYPE CARBON RESISTOR	RN72K1J-103FE	1	435031032R1
R8968	CHIP TYPE CARBON RESISTOR	RN72K1J-473JE	1	435034734R1
R8969	CHIP TYPE CARBON RESISTOR	RN72K1J-473JE	1	435034734R1
R8970	CHIP TYPE CARBON RESISTOR	RN72K1J-472JE	1	435034724R1
R8971	CHIP TYPE CARBON RESISTOR	RN72K1J-472JE	1	435034724R1
R8972	CHIP TYPE CARBON RESISTOR	RN72K1J-473JE	1	435034734R1
R8976	CHIP TYPE CARBON RESISTOR	RN72K1J-105JE	1	435031054R1
R8982	CHIP TYPE CARBON RESISTOR	RN72K1J-104JE	1	435031044R1
R8983	CHIP TYPE CARBON RESISTOR	RN72K1J-473JE	1	435034734R1
[SW TRM]				
P2200B	PLUG	NPLG-7P920	1	25055967R2
P2201B	SOCKET	40FMN-SMT-A-TF	1	25052857R2
P3100	SOCKET	UJA01SB4090-72R	1	25053533R2
P3102A	PLUG	NPLG-5P918	1	25055965R2
P3103	SOCKET	NSCT-9P2472	1	25052575R2
P3104	SOCKET	29-01000PH53-1	1	25053526R3
P7000B	SOCKET	IMSA-9618S-11A	1	25053336R2
P7001A	SOCKET	IMSA-9618S-13A	1	25053338R2
P7002A	SOCKET	NSCT-27P2490	1	25052593R2
P8001	SOCKET	51U019S-3HFDN-BD-SM	1	25053549R3
P8001 or	SOCKET	HDMI(47266-4101)	(1)	25053389R3
P8001 or	SOCKET	TCX3423-311387	(1)	25060513R3
P8002A	PLUG(B to B)	IMSA-9850B-24Y	1	25056207R2
P8003A	PLUG(B to B)	IMSA-9850B-24Y	1	25056207R2
P8021	SOCKET	51U019S-3HFDN-BD-SM	1	25053549R3
P8021 or	SOCKET	HDMI(47266-4101)	(1)	25053389R3
P8021 or	SOCKET	TCX3423-311387	(1)	25060513R3
P8601	SOCKET	TCX3281-110187	1	25053520R3
P8611	SOCKET	51U019S-3HFDN-BD-SM	1	25053549R3
P8611 or	SOCKET	HDMI(47266-4101)	(1)	25053389R3
P8611 or	SOCKET	TCX3423-311387	(1)	25060513R3
P8621	SOCKET	51U019S-3HFDN-BD-SM	1	25053549R3
P8621 or	SOCKET	HDMI(47266-4101)	(1)	25053389R3
P8621 or	SOCKET	TCX3423-311387	(1)	25060513R3
P8631	SOCKET	51U019S-3HFDN-BD-SM	1	25053549R3
P8631 or	SOCKET	HDMI(47266-4101)	(1)	25053389R3
P8631 or	SOCKET	TCX3423-311387	(1)	25060513R3
P8641	SOCKET	51U019S-3HFDN-BD-SM	1	25053549R3
P8641 or	SOCKET	HDMI(47266-4101)	(1)	25053389R3
P8641 or	SOCKET	TCX3423-311387	(1)	25060513R3
P8651	SOCKET	51U019S-3HFDN-BD-SM	1	25053549R3
P8651 or	SOCKET	HDMI(47266-4101)	(1)	25053389R3
P8651 or	SOCKET	TCX3423-311387	(1)	25060513R3
P8661	SOCKET	51U019S-3HFDN-BD-SM	1	25053549R3
P8661 or	SOCKET	HDMI(47266-4101)	(1)	25053389R3
P8661 or	SOCKET	TCX3423-311387	(1)	25060513R3
P8671	SOCKET	51U019S-3HFDN-BD-SM	1	25053549R3
P8671 or	SOCKET	HDMI(47266-4101)	(1)	25053389R3
P8671 or	SOCKET	TCX3423-311387	(1)	25060513R3
RL8400	RELAY	NRL-2P1A-DC4.5V-203	1	25065721R2

U008

BAHDM-1825-1A

: NSP

CIRCUIT NO PART NAME

DESCRIPTION

Q'TY PART NO. (SN)

REMARKS

[SEMI CONDUCTOR]

Q8500	HYBRID IC	PCA9515BDGKR	1	22242895R2
[TRANS COIL]				
L8500	CORE	BLM15PX181SN1D	1	2350033R1
[CAPACITOR]				
C794	CHIP TYPE CERAMIC CAPACITOR	CK725B1H-103K0	1	332031035R1
C795	CHIP TYPE CERAMIC CAPACITOR	CK725B1H-103K0	1	332031035R1
C796	CHIP TYPE CERAMIC CAPACITOR	CK725B1H-103K0	1	332031035R1
C799	CHIP TYPE CERAMIC CAPACITOR	CK732B16V-106K	1	332071065R2
C8501	CHIP TYPE CERAMIC CAPACITOR	CK725B1H-102K0	1	332031025R1
C8502	CHIP TYPE CERAMIC CAPACITOR	CK725B1H-102K0	1	332031025R1
C8503	CHIP TYPE CERAMIC CAPACITOR	CK725B1C-104K0	1	332011045R1
C8504	CHIP TYPE CERAMIC CAPACITOR	CK732B16V-106K	1	332071065R2
[RESISTOR]				
R8503	CHIP TYPE CARBON RESISTOR	RN72K1J-473JE	1	435034734R1
R8504	CHIP TYPE CARBON RESISTOR	RN72K1J-473JE	1	435034734R1
R8505	CHIP TYPE CARBON RESISTOR	RN72K1J-472JE	1	435034724R1
R8506	CHIP TYPE CARBON RESISTOR	RN72K1J-472JE	1	435034724R1
R8507	CHIP TYPE CARBON RESISTOR	RN72K1J-473JE	1	435034734R1
[SW TRM]				
P3102B	PLUG	NPLG-5P918	1	25055965R2
P791A	SOCKET	DF40HC(2.5)-30DS-0.4V(70)	1	25053514R2
P8500	SOCKET	TCX3255-611187	1	25053413R3
P8501	SOCKET	51U019S-3HFDN-BD-SM	1	25053549R3
P8501 or	SOCKET	HDMI(47266-4101)	(1)	25053389R3
P8501 or	SOCKET	TCX3423-311387	(1)	25060513R3
P8502	CRIMP CORD ASSEMBLY	CRIMP AS	1	2061943081UL
P8503	TERMINAL	NTM-1P233(M1969)	1	25060302
P8505	CRIMP CORD ASSEMBLY	CRIMP AS	1	2061943081UL