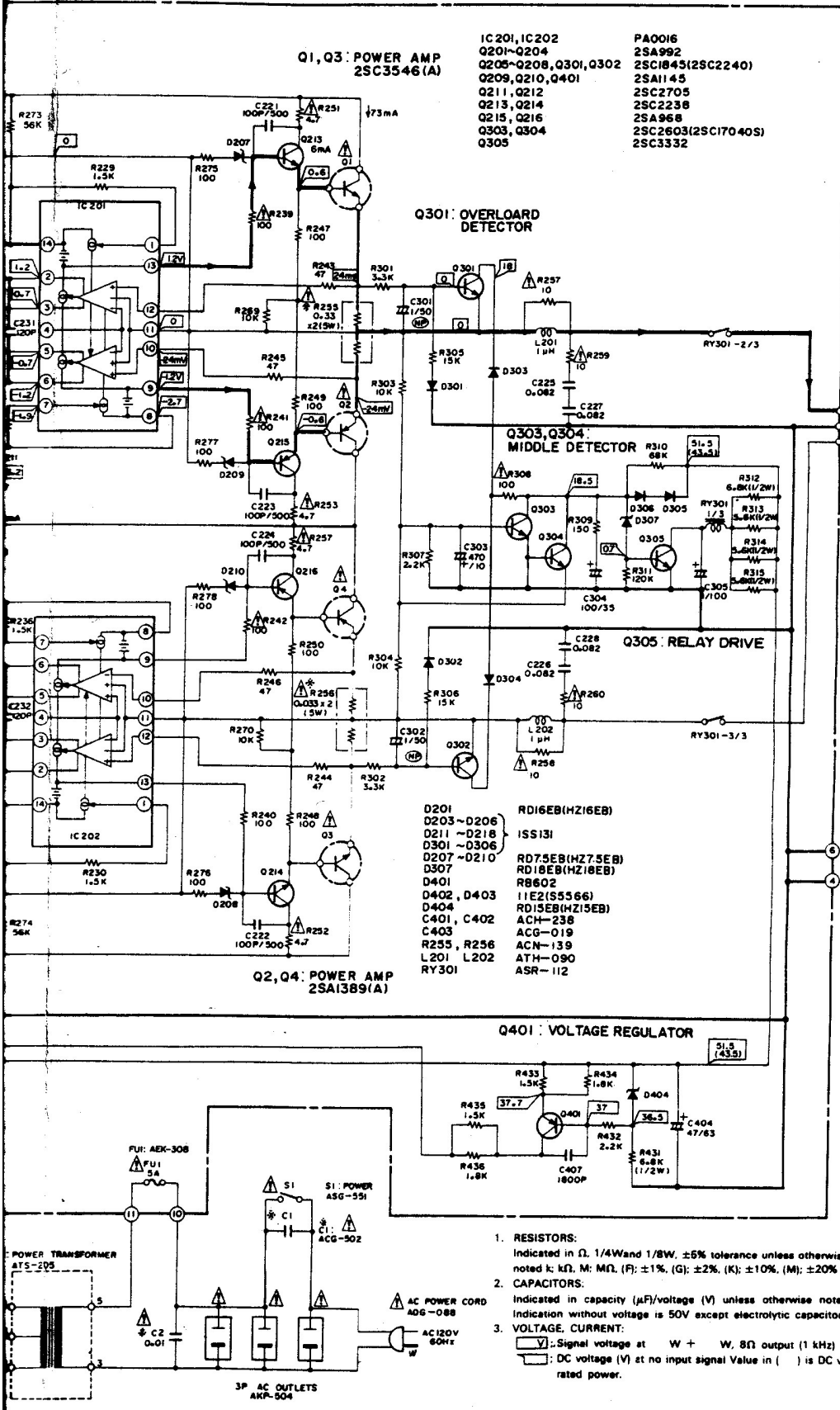
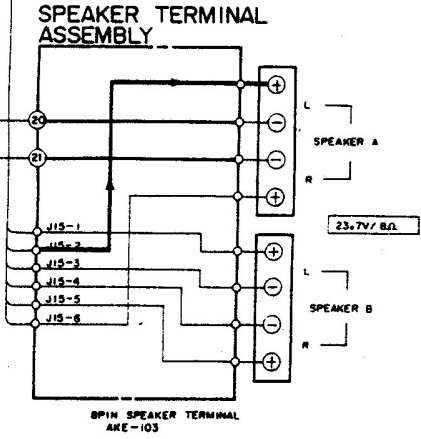
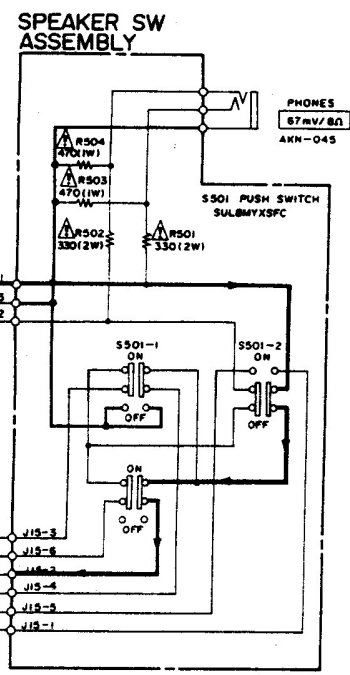


010



4. OTHERS:
 → Signal route.
 ⊗ Adjusting point.
 The **Δ** mark found on some component parts indicates the importance of the safety factor of the part. Therefore, when replacing, be sure to use parts of identical designation.
 * marked capacitors and resistors have parts numbers.
 The underlined indicates the switch position.



5. SWITCHES:
 S1 POWER (ON, OFF)
 S501 SPEAKERS (A, B, A+B)
 S701-1 FUNCTION (PHONE, CD, TAPE1, TUNER)
 S702-1 ADPT/TAPE 2 (ON, OFF)
 S702-2 LOUDNESS (ON, OFF)