

LCFC Confidential

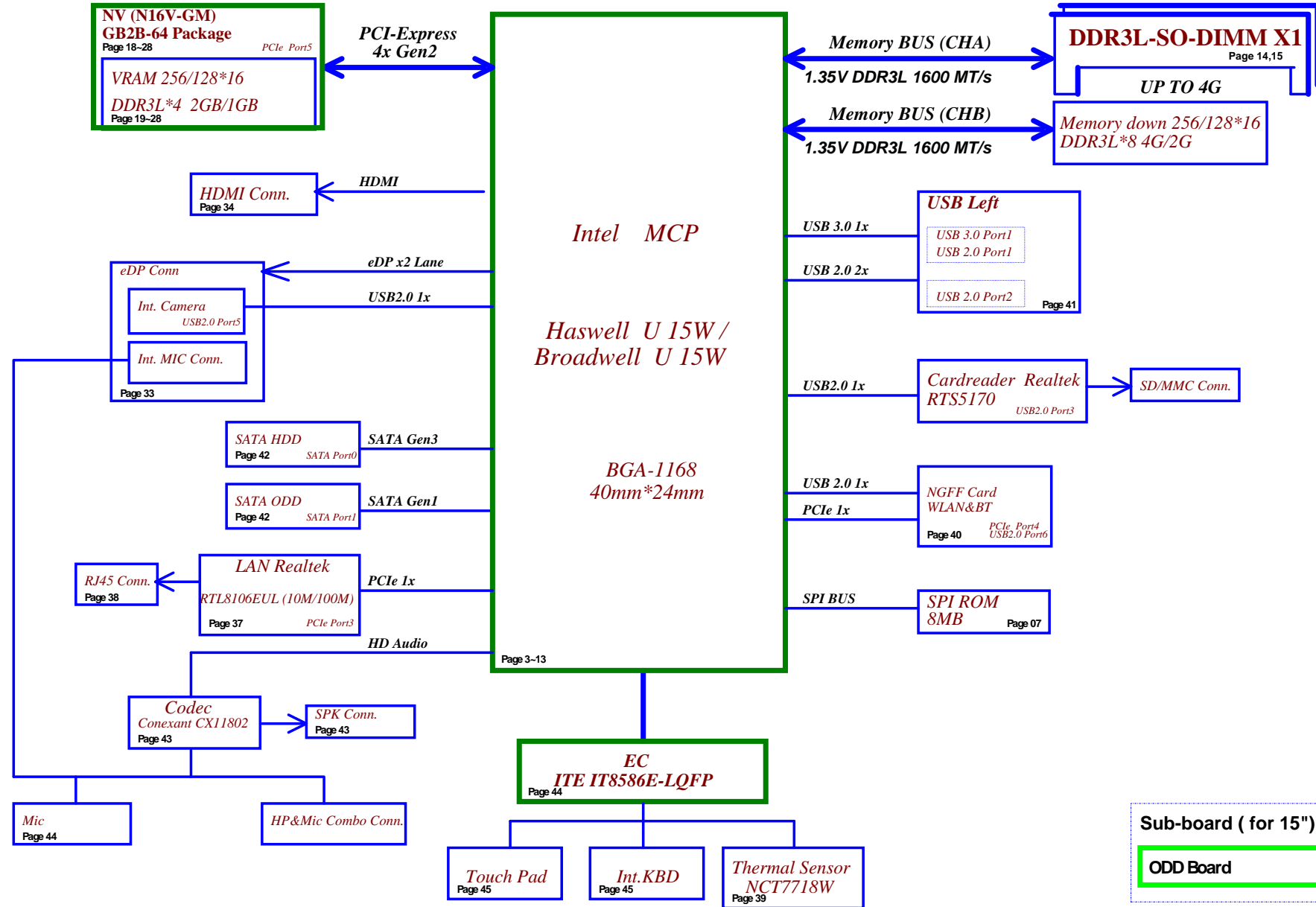
CG510 M/B Schematics Document

Intel Broadwell U-Processor with DDRIIL + NV920

2015-05-09

REV: 0.2

Security Classification	LC Future Center Secret Data			Title		
Issued Date	2015/02/27	Deciphered Date	2013/08/05	Cover Page		
THIS SHEET OF ENGINEERING DRAWING IS THE PROPRIETARY PROPERTY OF LC FUTURE CENTER, AND CONTAINS CONFIDENTIAL AND TRADE SECRET INFORMATION. THIS SHEET MAY NOT BE TRANSFERRED FROM THE CUSTODY OF THE COMPETENT DIVISION OF R&D DEPARTMENT EXCEPT AS AUTHORIZED BY LC FUTURE CENTER NEITHER THIS SHEET NOR THE INFORMATION IT CONTAINS MAY BE USED BY OR DISCLOSED TO ANY THIRD PARTY WITHOUT PRIOR WRITTEN CONSENT OF LC FUTURE CENTER.				Size	Document Number	Rev
				Custom	CG510	0.2
				Date:	Saturday, May 09, 2015	Sheet 1 of 59



Sub-board (for 15")
ODD Board

Security Classification	LC Future Center Secret Data		Title
Issued Date	2015/02/27	Deciphered Date	2013/08/05
THIS SHEET OF ENGINEERING DRAWING IS THE PROPRIETARY PROPERTY OF LC FUTURE CENTER, AND CONTAINS CONFIDENTIAL AND TRADE SECRET INFORMATION. THIS SHEET MAY NOT BE TRANSFERRED FROM THE CUSTODY OF THE COMPETENT DIVISION OF R&D DEPARTMENT EXCEPT AS AUTHORIZED BY LC FUTURE CENTER NEITHER THIS SHEET NOR THE INFORMATION IT CONTAINS MAY BE USED BY OR DISCLOSED TO ANY THIRD PARTY WITHOUT PRIOR WRITTEN CONSENT OF LC FUTURE CENTER.			Size Custom
			Document Number CG510
			Rev 0.2
			Date: Saturday, May 09, 2015 Sheet 2 of 59

Voltage Rails (O --> Means ON , X --> Means OFF)

Power Plane	B+	+3VALW	+3VALW_PCH	+1.35V	+5VS
					+3VS
State	B+	+3VALW	+3VALW_PCH	+1.35V	+1.5VS
					+1.35VS
					+1.05VS
					+0.675VS
					CPU_CORE
					+VGA_CORE
					+3VGS
					+1.8VGS
					+1.35VGS
					+0.95VGS
S0	O	O	O	O	O
S3	O	O	O	O	X
S3 Battery only	O	O	O	O	X
S5 S4/AC Only	O	O	O	X	X
S5 S4 Battery only	O	X	X	X	X
S5 S4 AC & Battery don't exist	X	X	X	X	X

STATE	SIGNAL	SLP_S1#	SLP_S3#	SLP_S4#	SLP_S5#	+VALW	+V	+VS	clock
Full ON		HIGH	HIGH	HIGH	HIGH	ON	ON	ON	ON
S1(Power On Suspend)		LOW	HIGH	HIGH	HIGH	ON	ON	ON	LOW
S3 (Suspend to RAM)		LOW	LOW	HIGH	HIGH	ON	ON	OFF	OFF
S4 (Suspend to Disk)		LOW	LOW	LOW	HIGH	ON	OFF	OFF	OFF
S5 (Soft OFF)		LOW	LOW	LOW	LOW	ON	OFF	OFF	OFF

USB Port Table

USB 2.0		USB 3.0	
XHCI		XHCI	
0	USB Port (Right Side)		
1	USB Port1 (Left Side)	1	USB Port1 (Left Side)
2	USB Port2 (Left Side)	2	
3	Cardreader	3	
4	TOUCH PANEL	4	
5	Camera		
6	NGFF(WLAN)		
7			

BOM Structure Table

BOM Structure	BTO Item
@	Not stuff
14@	For 14" part
15@	For 15" part
UMA@	UMA SKU part
PX@	Discrete GPU SKU part
100M@	100M LAN Part
GIGA@	GIGA LAN Part
JET@	For AMD Jet GPU part
TOPAZ@	For AMD Topaz GPU part
RANKA@	For VRAM RankA part
RANKB@	For VRAM RankB part
ME@	ME part(connector, hole)
TS@	For support touch panel sku part
AOAC@	AOAC support part
H2@	Hynix 128Mx16 VRAM part
H4@	Hynix 256Mx16 VRAM part
M2@	Micron 128Mx16 VRAM part
M4@	Micron 256Mx16 VRAM part
S2@	Samsung 128Mx16 VRAM part
S4@	Samsung 256Mx16 VRAM part
H2GX4@	Hynix 128Mx16 VRAM x4pcs sku
M2GX4@	Micron 128Mx16 VRAM x4pcs sku
S2GX4@	Samsung 128Mx16 VRAM x4pcs sku
H4GX4@	Hynix 256Mx16 VRAM x4pcs sku
M4GX4@	Micron 256Mx16 VRAM x4pcs sku
S4GX4@	Samsung 256Mx16 VRAM x4pcs sku
H2GX8@	Hynix 128Mx16 VRAM x8pcs sku
M2GX8@	Micron 128Mx16 VRAM x8pcs sku
S2GX8@	Samsung 128Mx16 VRAM x8pcs sku
H4GX8@	Hynix 256Mx16 VRAM x8pcs sku
M4GX8@	Micron 256Mx16 VRAM x8pcs sku
S4GX8@	Samsung 256Mx16 VRAM x8pcs sku
CD@	Cost down part
BCD@	Cost down part for BDW project
SINGLE@	Single Rank VRAM sku
DUAL@	Dual Rank VRAM sku

PCIE PORT LIST

Port	Device
1	
2	
3	LAN
4	WLAN
5	Discrete GPU
6	

SMBUS Control Table

	SOURCE	VGA	BATT	IT8586E	SODIMM	WLAN WIMAX	Thermal Sensor	PCH	TP Module	charger
EC_SMB_CK1	IT8586E		V	V						
EC_SMB_DA1	+3VALW	X	V	+3VALW	X	X	X	X	X	V
EC_SMB_CK2	IT8586E	V	X	V						
EC_SMB_DA2	+3VS	+3VGS	X	+3VS	X	X	+3VS	+3VALW_PCH	X	X
PCH_SMB_CLK	PCH		X							
PCH_SMB_DATA	+3VALW_PCH	X	X	X	V	V	X	+3VALW_PCH	X	X

EC SM Bus1 address

Device	Address
Smart Battery	0X16
Charger	0001 0010 b

EC SM Bus2 address

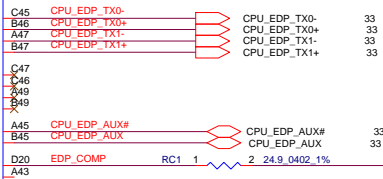
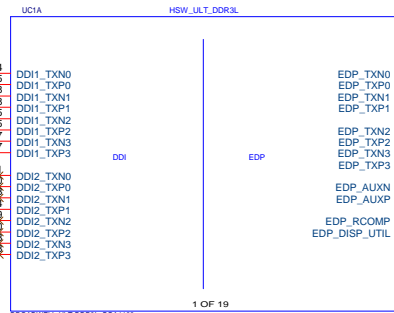
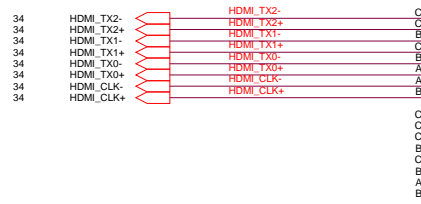
Device	Address
Thermal Sensor NCT7718W	1001_100xb
VGA	0x41(default)
PCH	need to update

PCH SM Bus address

Device	Address
DDR DIMMA	1010 000Xb
DDR DIMMB	1010 010Xb
Wlan	Rsvd

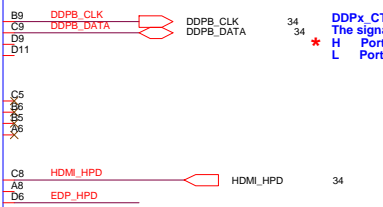
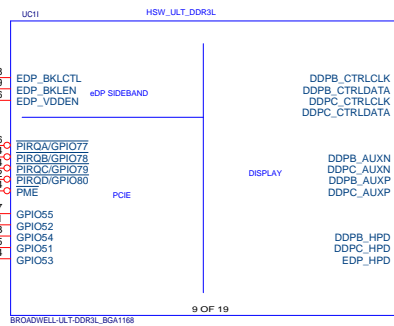
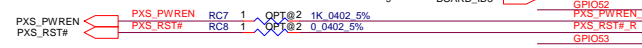
Security Classification	LC Future Center Secret Data			Title
Issued Date	2015/02/27	Deciphered Date	2013/08/05	Notes List
<small>THIS SHEET OF ENGINEERING DRAWING IS THE PROPRIETARY PROPERTY OF LC FUTURE CENTER, AND CONTAINS CONFIDENTIAL AND TRADE SECRET INFORMATION. THIS SHEET MAY NOT BE TRANSFERRED FROM THE CUSTODY OF THE COMPETENT DIVISION OF DEPARTMENT EXCEPT AS AUTHORIZED BY LC FUTURE CENTER NEITHER THIS SHEET NOR THE INFORMATION IT CONTAINS MAY BE USED BY OR DISCLOSED TO ANY THIRD PARTY WITHOUT PRIOR WRITTEN CONSENT OF LC FUTURE CENTER.</small>				Size: Custom Document Number: CG510 Date: Saturday, May 09, 2015 Sheet 3 of 59

HDMI D2
HDMI D1
HDMI D0
HDMI CLK

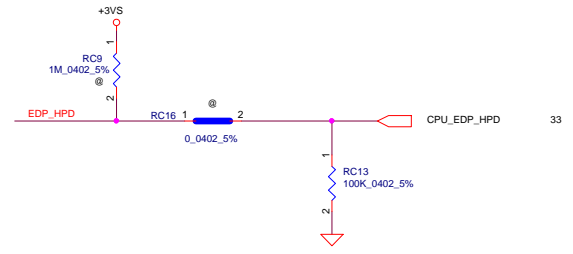
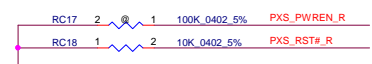
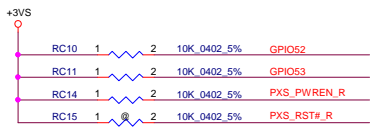
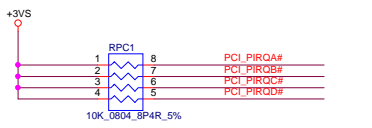


+VCCIOA_OUT & EDP_COMP :
Trace Width: 20mil
Space: 25mil
Max length: 100mil

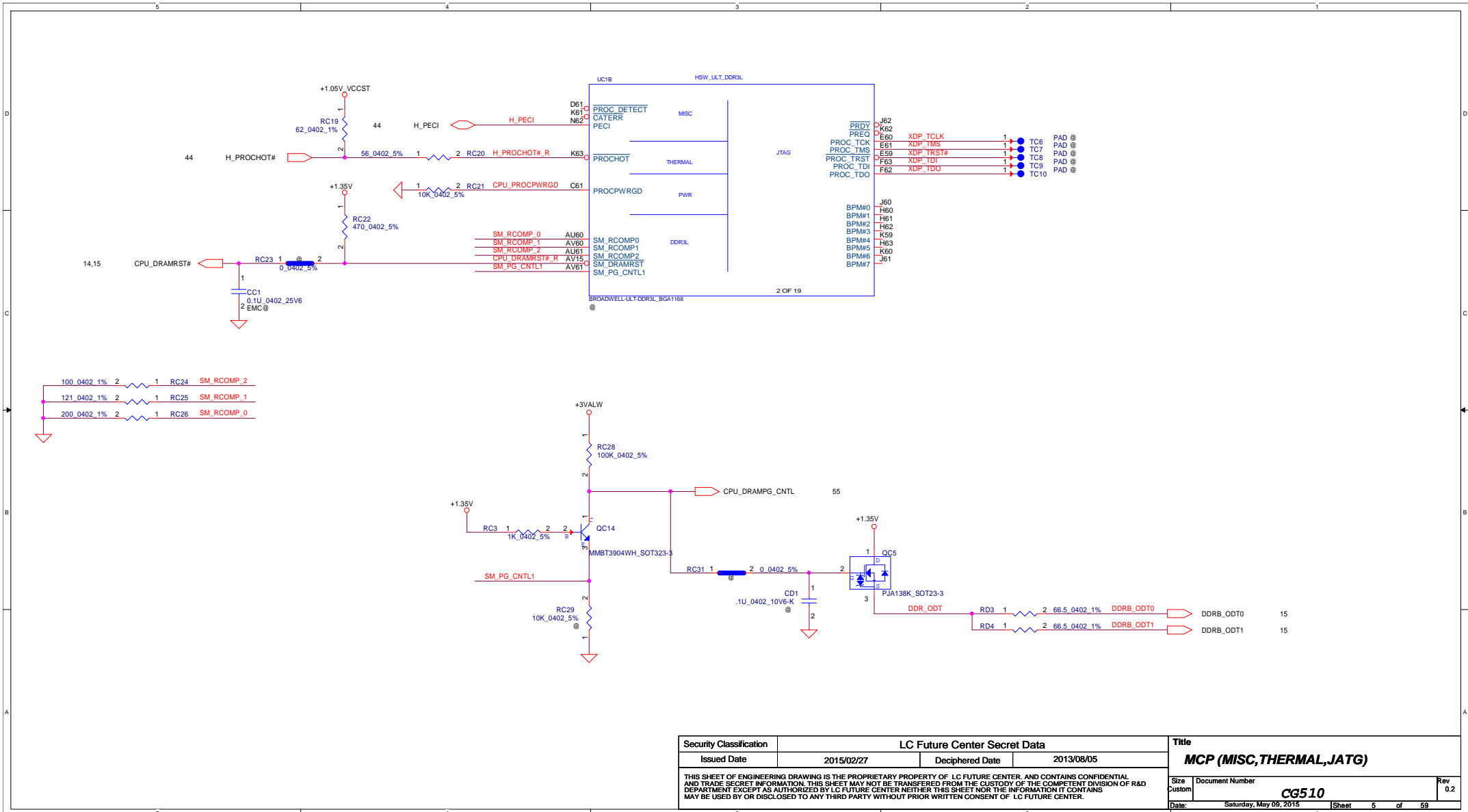
21.58
19



DDPx_CTRLDATA
The signal has a weak internal pull-down.
* H Port is detected.
L Port is not detected.

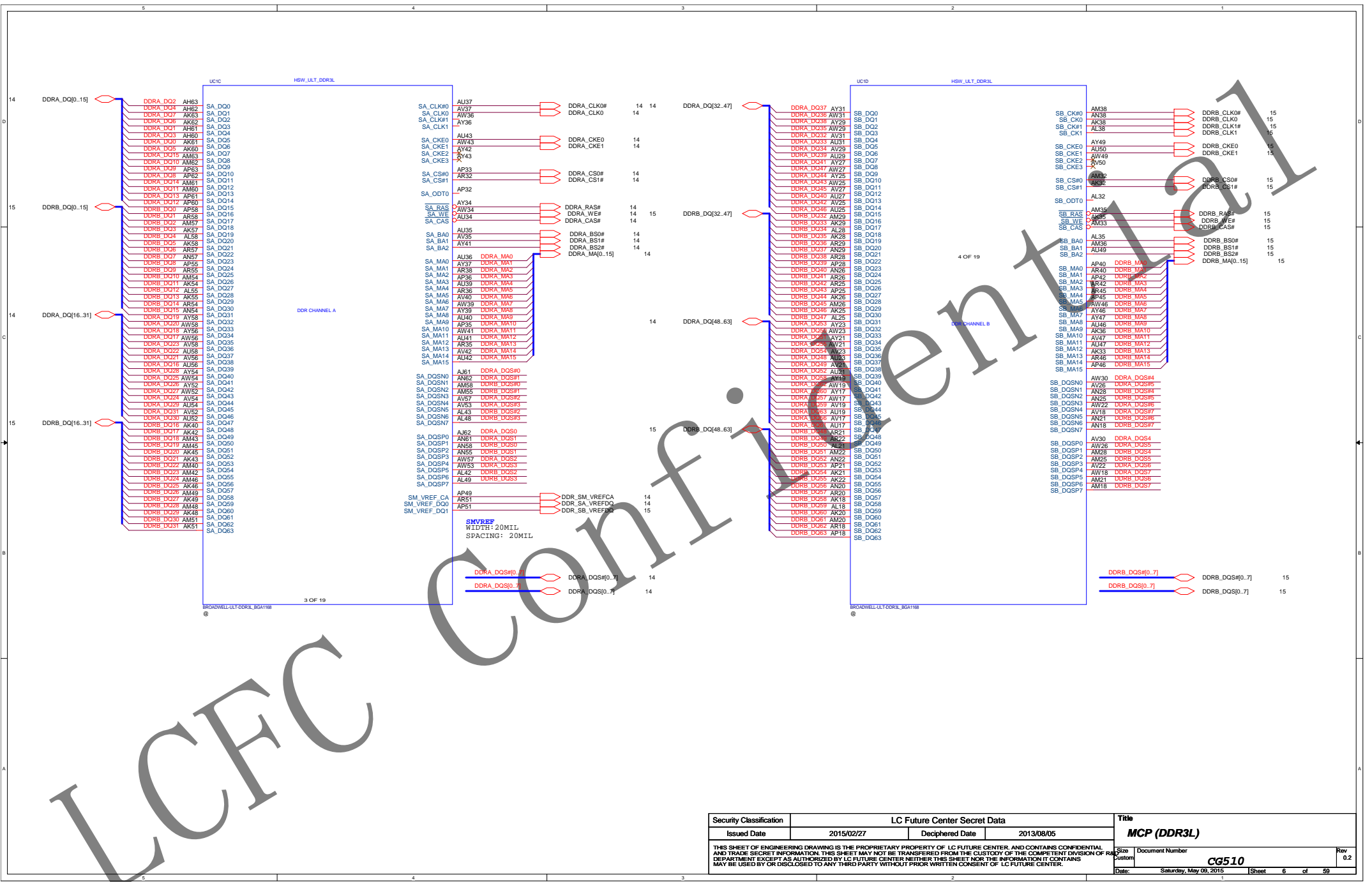


Security Classification	LC Future Center Secret Data		Title
Issued Date	2015/02/27	Deciphered Date	2013/08/05
THIS SHEET OF ENGINEERING DRAWING IS THE PROPRIETARY PROPERTY OF LC FUTURE CENTER, AND CONTAINS CONFIDENTIAL AND TRADE SECRET INFORMATION. THIS SHEET MAY NOT BE TRANSFERRED FROM THE CUSTODY OF THE COMPETENT DIVISION OF DEPARTMENT EXCEPT AS AUTHORIZED BY LC FUTURE CENTER NEITHER THIS SHEET NOR THE INFORMATION IT CONTAINS MAY BE USED BY OR DISCLOSED TO ANY THIRD PARTY WITHOUT PRIOR WRITTEN CONSENT OF LC FUTURE CENTER.			Size Custom
			Document Number CG510
			Rev 0.2
			Date: Saturday, May 09, 2015 [Sheet 4 of 59]

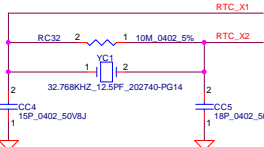


Security Classification	LC Future Center Secret Data	
Issued Date	2015/02/27	Deciphered Date
		2013/08/05
THIS SHEET OF ENGINEERING DRAWING IS THE PROPRIETARY PROPERTY OF LC FUTURE CENTER, AND CONTAINS CONFIDENTIAL AND TRADE SECRET INFORMATION. THIS SHEET MAY NOT BE TRANSFERRED FROM THE CUSTODY OF THE COMPETENT DIVISION OF R&D DEPARTMENT EXCEPT AS AUTHORIZED BY LC FUTURE CENTER NEITHER THIS SHEET NOR THE INFORMATION IT CONTAINS MAY BE USED BY OR DISCLOSED TO ANY THIRD PARTY WITHOUT PRIOR WRITTEN CONSENT OF LC FUTURE CENTER.		

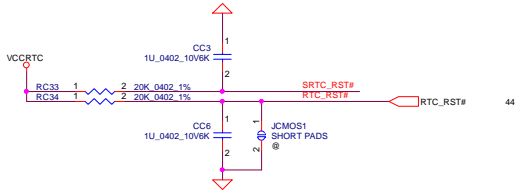
Title		MCP (MISC, THERMAL, JATG)	
Size	Document Number	Rev	
Custom	CG510	0.2	
Date:	Saturday, May 09, 2015	Sheet	5 of 59



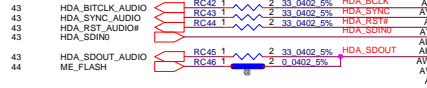
Security Classification	LC Future Center Secret Data		Title
Issued Date	2015/02/27	Deciphered Date	2013/08/05
THIS SHEET OF ENGINEERING DRAWING IS THE PROPRIETARY PROPERTY OF LC FUTURE CENTER, AND CONTAINS CONFIDENTIAL AND TRADE SECRET INFORMATION. THIS SHEET MAY NOT BE TRANSFERRED FROM THE CUSTODY OF THE COMPETENT DIVISION OF THE DEPARTMENT EXCEPT AS AUTHORIZED BY LC FUTURE CENTER. NEITHER THIS SHEET NOR THE INFORMATION IT CONTAINS MAY BE USED BY OR DISCLOSED TO ANY THIRD PARTY WITHOUT PRIOR WRITTEN CONSENT OF LC FUTURE CENTER.			
Size	Document Number	Rev	
Custom	CG510	0.2	
Date:	Saturday, May 09, 2015	Sheet	6 of 59



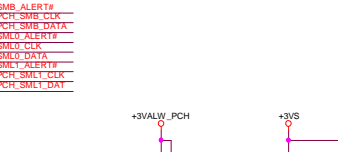
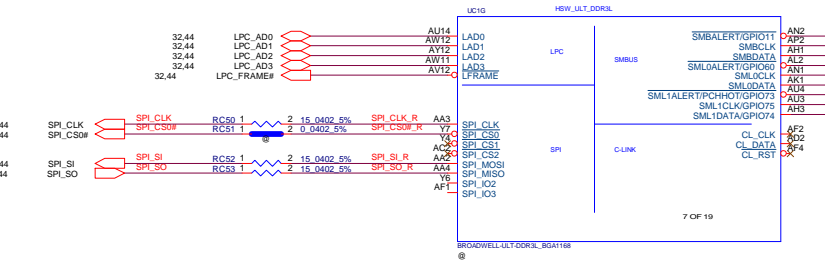
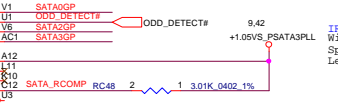
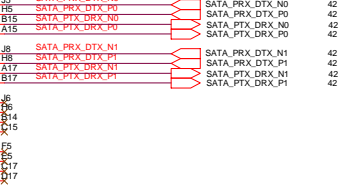
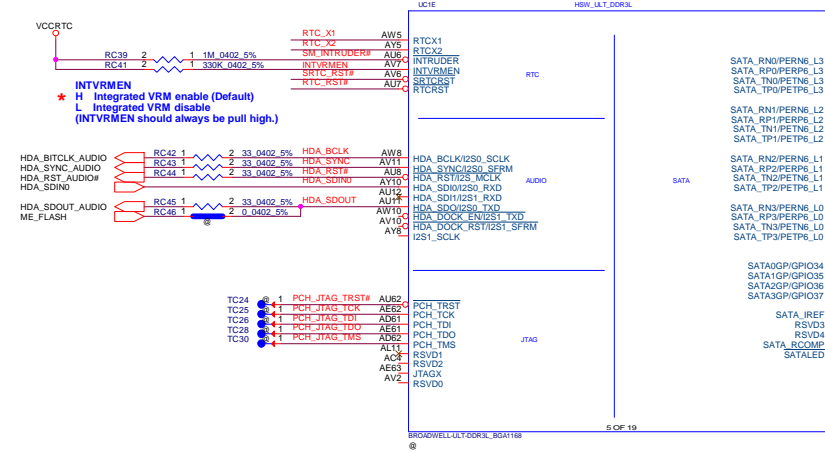
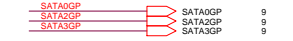
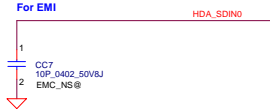
CRYSTAL
 1. Space 15MIL
 2. No trace under crystal
 3. Place on opposite side of MCP for temp influence



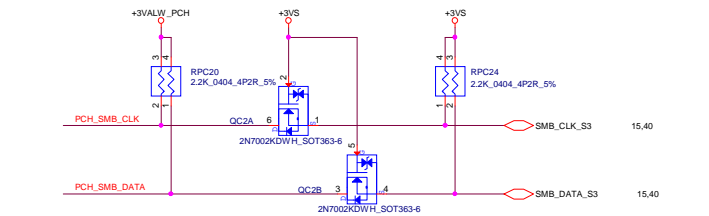
INTVRMEN
 * H Integrated VRM enable (Default)
 L Integrated VRM disable
 (INTVRMEN should always be pull high.)



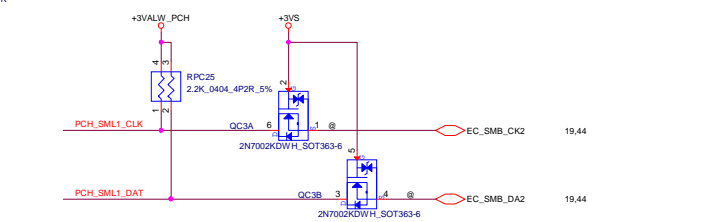
HDA SDO This signal has a weak internal pull-down.
 * 0 = Enable security measures defined in the Flash Descriptor.
 1 = Disable Flash Descriptor Security(override). This strap should only be asserted high during external pull-up in manufacturing/debug environments ONLY.



DIMM1, DIMM2, NGFF



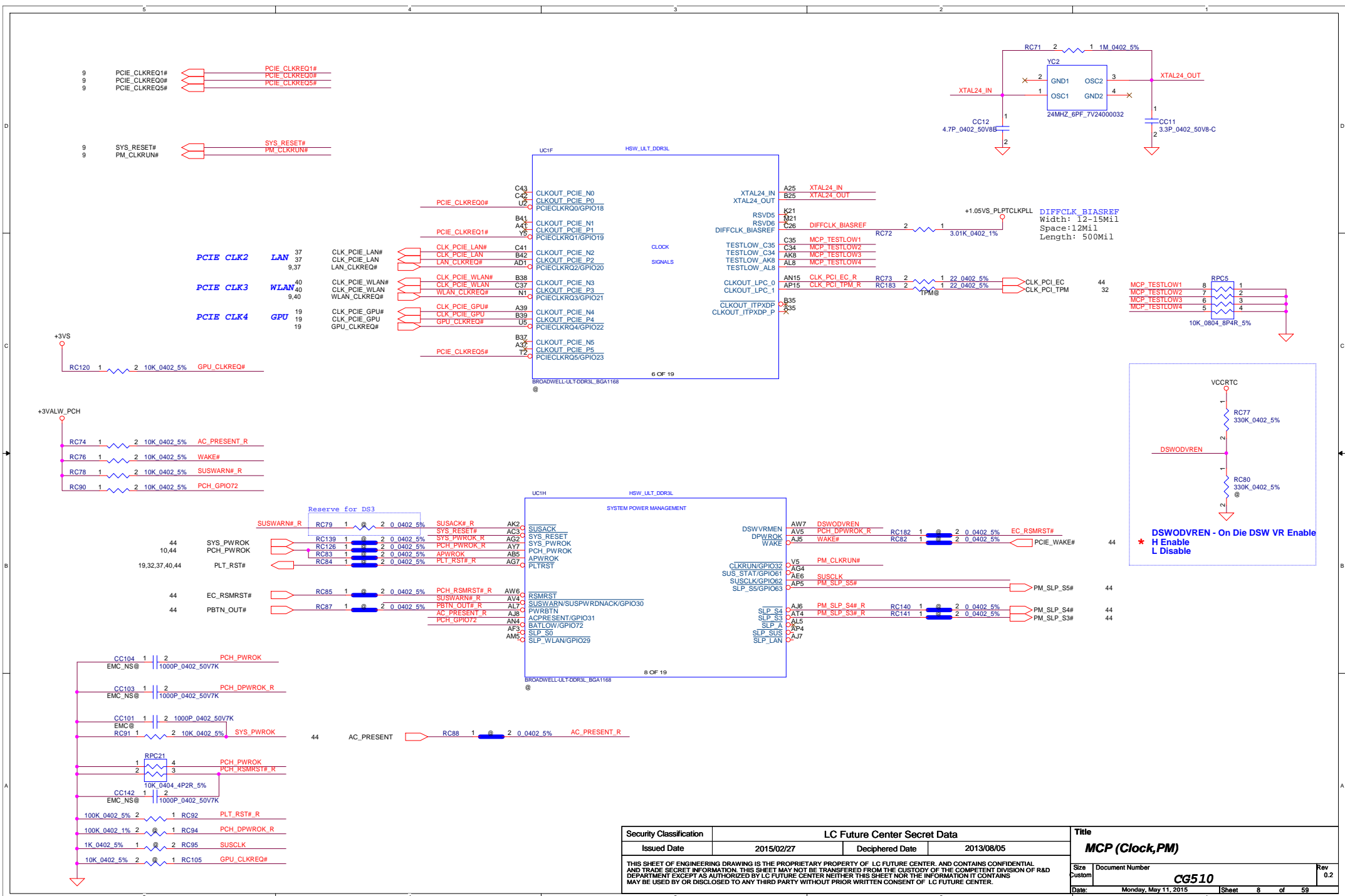
GPU, EC, Thermal Sensor



+3V SPI
 1. If support DS3, connect to +3VS and don't support EC mirror code;
 * 2. If don't support DS3, connect to +3VALW_PCH and support EC mirror code.

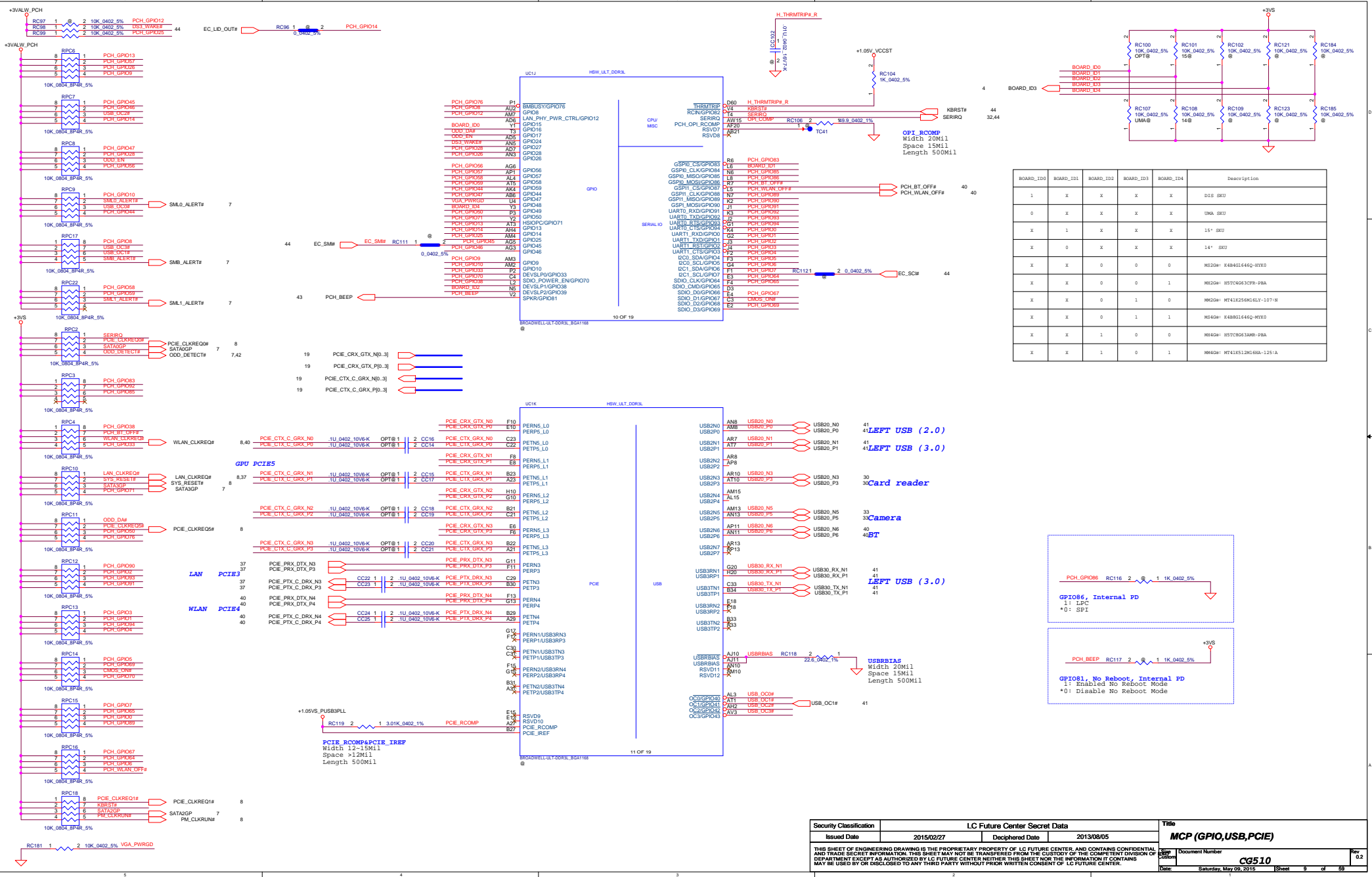
Security Classification	LC Future Center Secret Data		Title
Issued Date	2015/02/27	Deciphered Date	2013/08/05
MCP (RTC&AUDIO&SATA&SMBUS)			
Document Number	CG510		Rev 0.2
Date	Saturday, May 09, 2015	Sheet	7 of 59

THIS SHEET OF ENGINEERING DRAWING IS THE PROPRIETARY PROPERTY OF LC FUTURE CENTER, AND CONTAINS CONFIDENTIAL AND TRADE SECRET INFORMATION. THIS SHEET MAY NOT BE TRANSFERRED FROM THE CUSTODY OF THE COMPETENT DIVISION OF DEPARTMENT EXCEPT AS AUTHORIZED BY LC FUTURE CENTER. NEITHER THIS SHEET NOR THE INFORMATION IT CONTAINS MAY BE USED BY OR DISCLOSED TO ANY THIRD PARTY WITHOUT PRIOR WRITTEN CONSENT OF LC FUTURE CENTER.

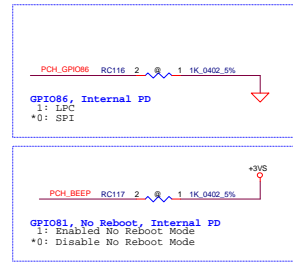


Security Classification		LC Future Center Secret Data	
Issued Date	2015/02/27	Deciphered Date	2013/08/05
THIS SHEET OF ENGINEERING DRAWING IS THE PROPRIETARY PROPERTY OF LC FUTURE CENTER, AND CONTAINS CONFIDENTIAL AND TRADE SECRET INFORMATION. THIS SHEET MAY NOT BE TRANSFERRED FROM THE CUSTODY OF THE COMPETENT DIVISION OF R&D DEPARTMENT EXCEPT AS AUTHORIZED BY LC FUTURE CENTER. NEITHER THIS SHEET NOR THE INFORMATION IT CONTAINS MAY BE USED BY OR DISCLOSED TO ANY THIRD PARTY WITHOUT PRIOR WRITTEN CONSENT OF LC FUTURE CENTER.			

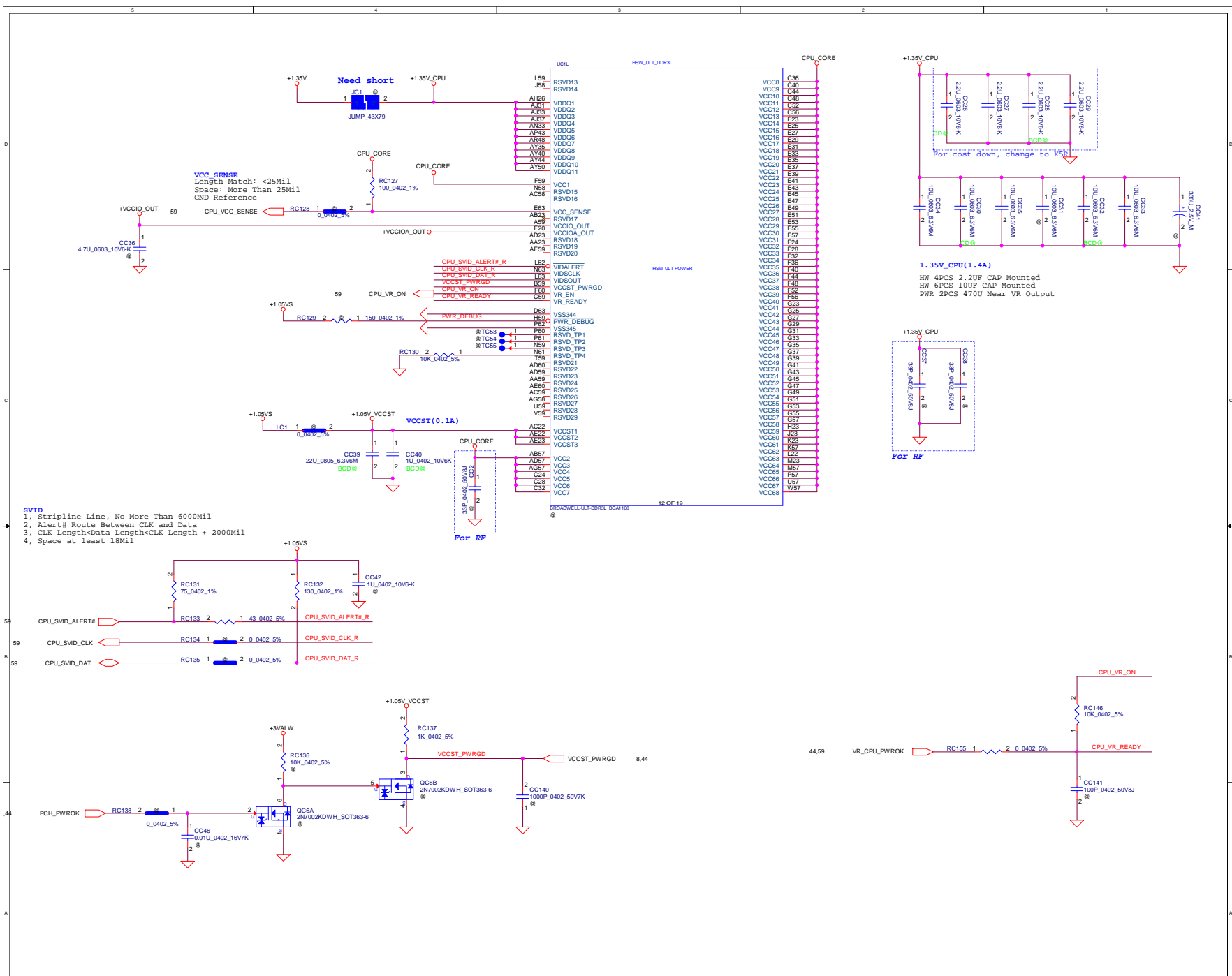
Title	
MCP (Clock, PM)	
Size	Document Number
Custom	CG510
Date:	Monday, May 11, 2015
Sheet	8 of 59
Rev	0.2



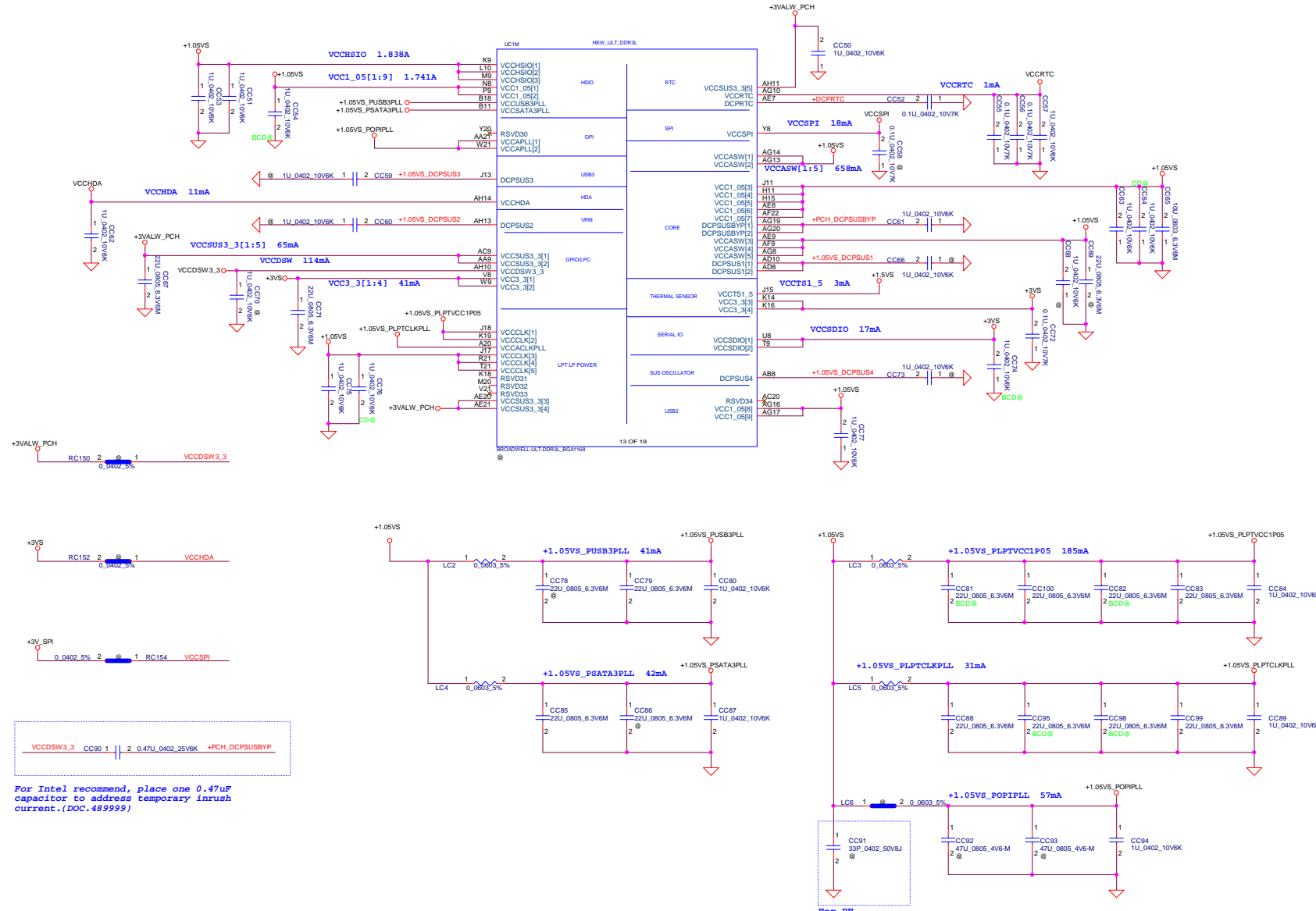
BOARD_ID0	BOARD_ID1	BOARD_ID2	BOARD_ID3	BOARD_ID4	Description
1	X	X	X	X	DIS_SKU
0	X	X	X	X	UMA_SKU
X	1	X	X	X	15" SKU
X	0	X	X	X	14" SKU
X	X	0	0	0	MS228: K484621640-8YX0
X	X	0	1	0	MS228: H741E256K16L1-107-N
X	X	0	1	1	MS428: K484621640-8YX0
X	X	1	0	0	MS428: H57C4630F9-PBA
X	X	1	0	1	MS428: H741E312K160A-125-A



Security Classification	LC Future Center Secret Data		Title
Issued Date	2015/02/27	Deciphered Date	2013/08/05
			MCP (GPIO,USB,PCIE)
THIS SHEET OF ENGINEERING DRAWING IS THE PROPRIETARY PROPERTY OF LC FUTURE CENTER, AND CONTAINS CONFIDENTIAL AND TRADE SECRET INFORMATION. THIS SHEET MAY NOT BE TRANSFERRED FROM THE CUSTODY OF THE COMPETENT DIVISION OF DEPARTMENT EXCEPT AS AUTHORIZED BY LC FUTURE CENTER. NEITHER THIS SHEET NOR THE INFORMATION IT CONTAINS MAY BE USED BY OR DISCLOSED TO ANY THIRD PARTY WITHOUT PRIOR WRITTEN CONSENT OF LC FUTURE CENTER.			
Doc Number	CGS10		Rev 0.2
Date	Saturday, May 09, 2015	Sheet	9 of 99



Security Classification		LC Future Center Secret Data		Title	
Issued Date	2015/02/27	Deciphered Date	2013/08/05	MCP (Power)	
THIS SHEET OF ENGINEERING DRAWING IS THE PROPRIETARY PROPERTY OF LC FUTURE CENTER, AND CONTAINS CONFIDENTIAL AND TRADE SECRET INFORMATION. THIS SHEET MAY NOT BE TRANSFERRED FROM THE CUSTODY OF THE COMPETENT DIVISION OF DEPARTMENT EXCEPT AS AUTHORIZED BY LC FUTURE CENTER. NEITHER THIS SHEET NOR THE INFORMATION IT CONTAINS MAY BE USED BY OR DISCLOSED TO ANY THIRD PARTY WITHOUT PRIOR WRITTEN CONSENT OF LC FUTURE CENTER.					
Sheet Number	CG510			Rev	0.2
Date	Saturday, May 09, 2015	Sheet	10	of	59

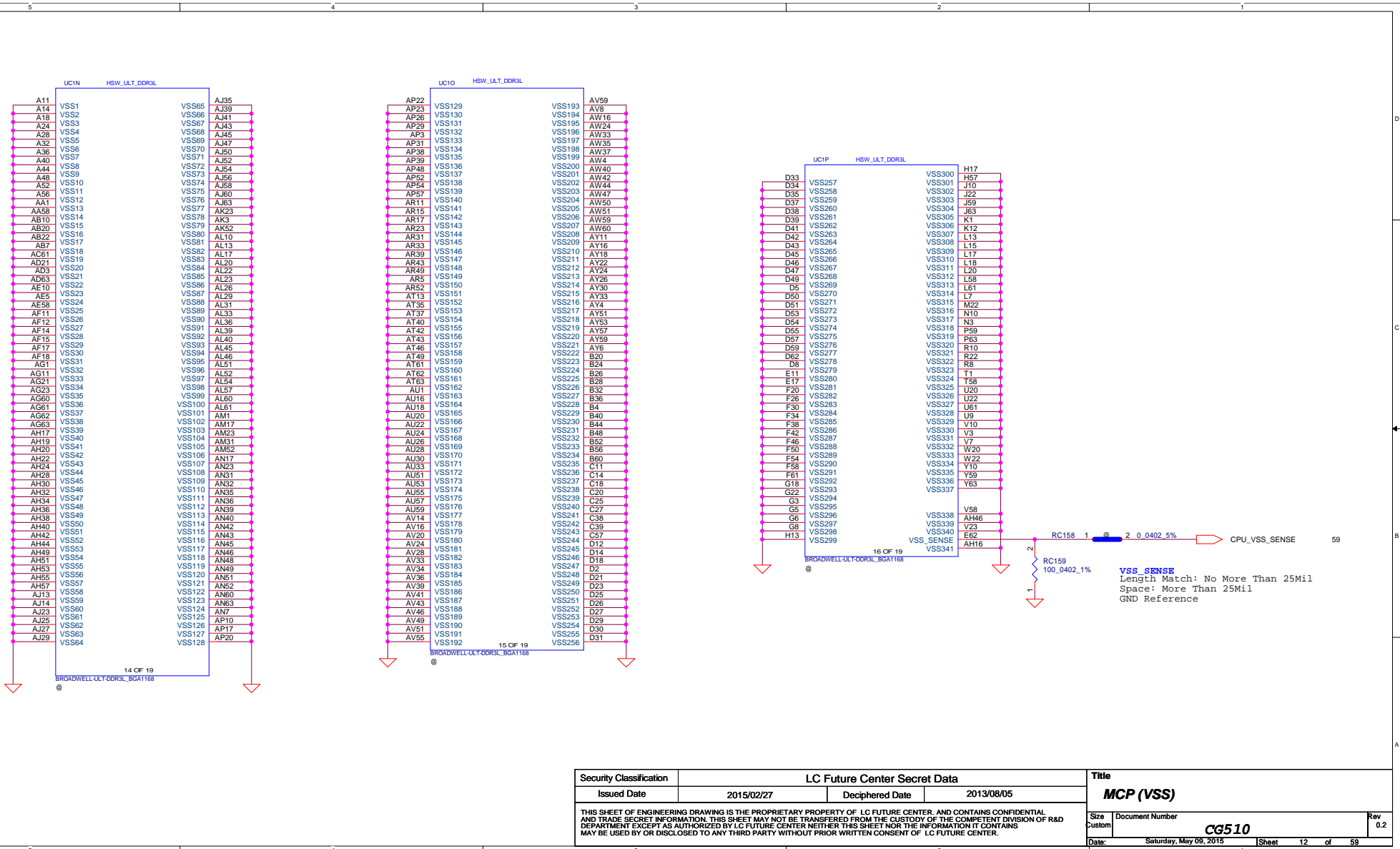


VCCDSW3_3 CC90 1 2 0.47U 0.0402 25V6K +PCH_DCPUSBYP

For Intel recommend, place one 0.47uF capacitor to address temporary inrush current. (DOC. 489999)

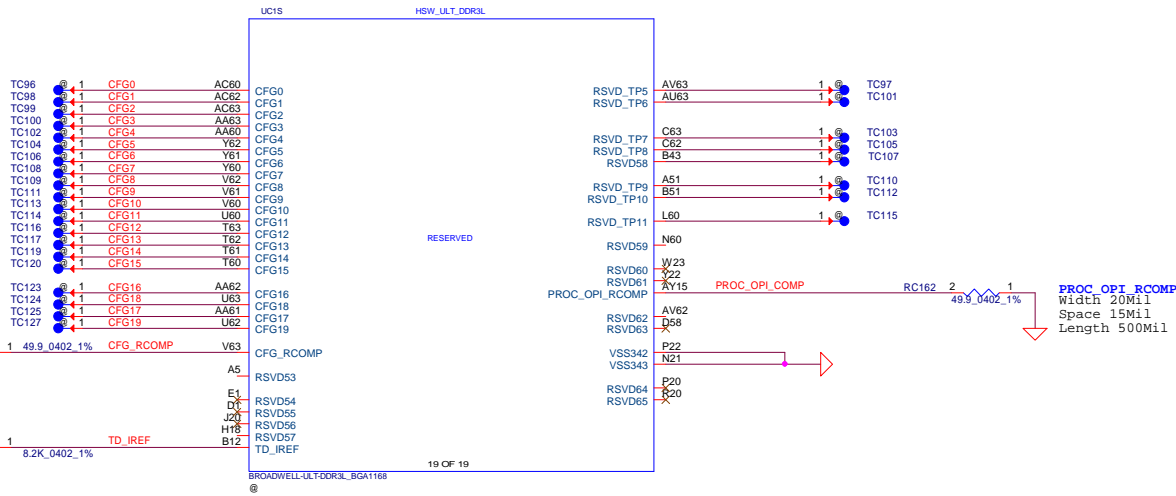
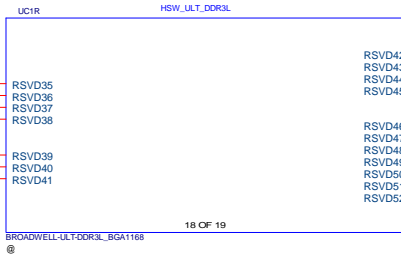
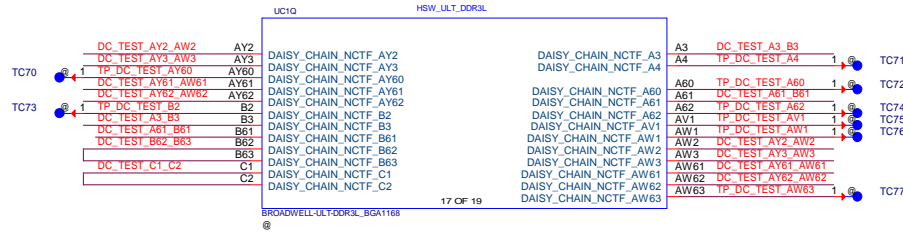
For RF

Security Classification		LC Future Center Secret Data		Title	
Issued Date	2015/02/27	Deciphered Date	2013/08/05	MCP (Power2)	
THIS SHEET OF ENGINEERING DRAWING IS THE PROPRIETARY PROPERTY OF LC FUTURE CENTER, AND CONTAINS CONFIDENTIAL AND TRADE SECRET INFORMATION. THIS SHEET MAY NOT BE TRANSFERRED FROM THE CUSTODY OF THE COMPETENT DIVISION OF DEPARTMENT EXCEPT AS AUTHORIZED BY LC FUTURE CENTER. NEITHER THIS SHEET NOR THE INFORMATION IT CONTAINS MAY BE USED BY OR DISCLOSED TO ANY THIRD PARTY WITHOUT PRIOR WRITTEN CONSENT OF LC FUTURE CENTER.					
Sheet	02	Document Number	CG510	Date	Saturday, May 09, 2015
				Sheet	11 of 59

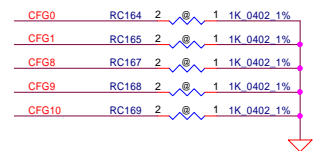
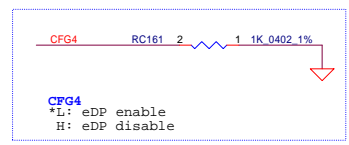
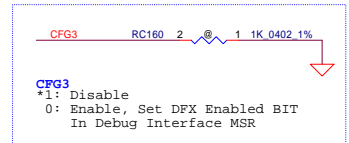


Security Classification		LC Future Center Secret Data	
Issued Date	2015/02/27	Deciphered Date	2013/08/05
THIS SHEET OF ENGINEERING DRAWING IS THE PROPRIETARY PROPERTY OF LC FUTURE CENTER, AND CONTAINS CONFIDENTIAL AND TRADE SECRET INFORMATION. THIS SHEET MAY NOT BE TRANSFERRED FROM THE CUSTODY OF THE COMPETENT DIVISION OF R&D DEPARTMENT EXCEPT AS AUTHORIZED BY LC FUTURE CENTER. NEITHER THIS SHEET NOR THE INFORMATION IT CONTAINS MAY BE USED BY OR DISCLOSED TO ANY THIRD PARTY WITHOUT PRIOR WRITTEN CONSENT OF LC FUTURE CENTER.			

Title		MCP (VSS)	
Size	Document Number	CG510	
Custom	Date:	Saturday, May 08, 2015	Sheet 12 of 59
	Rev	0.2	

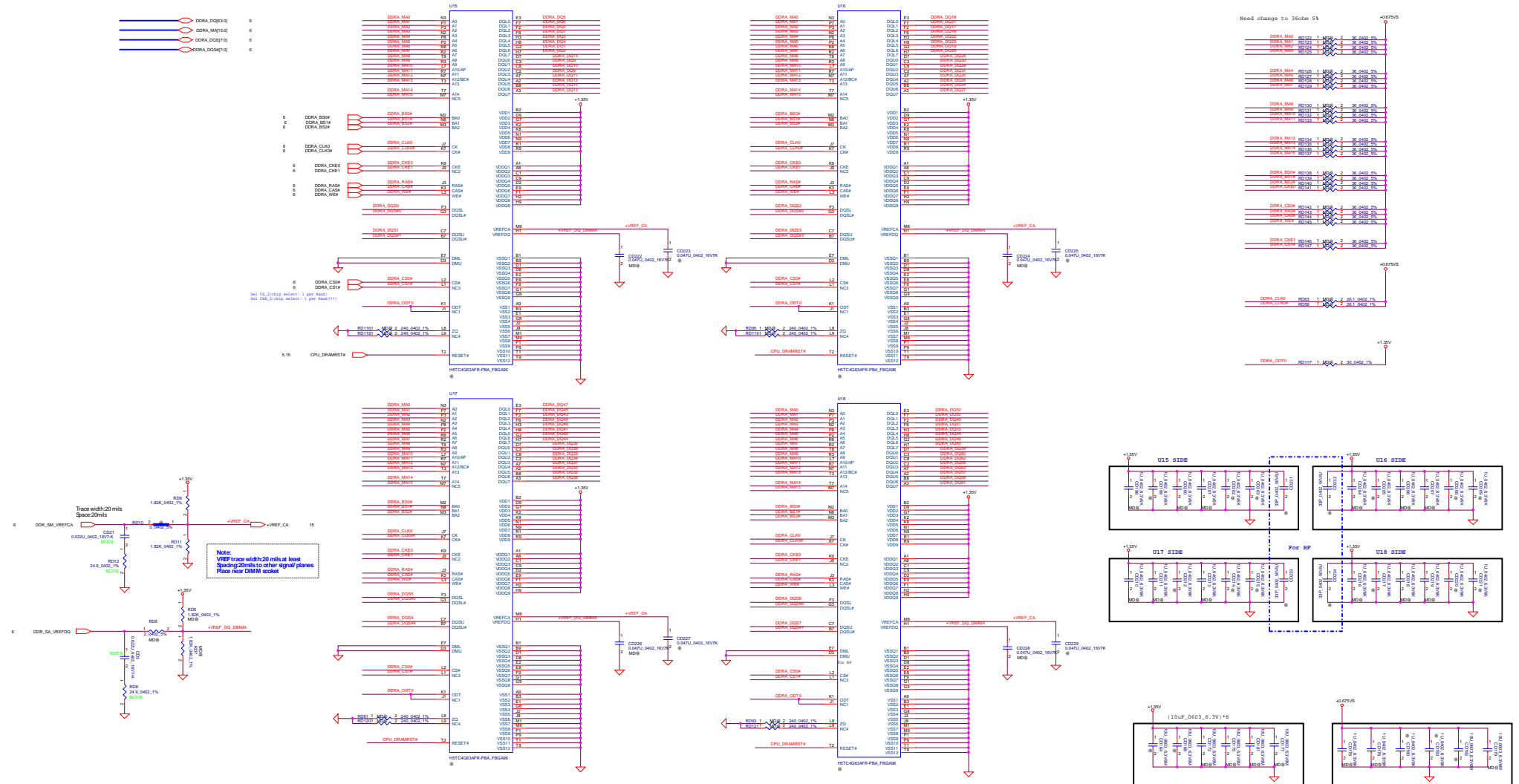


CFG_RCOMP&TD_IREF
Width 20mil
Space 15mil
Length 500mil



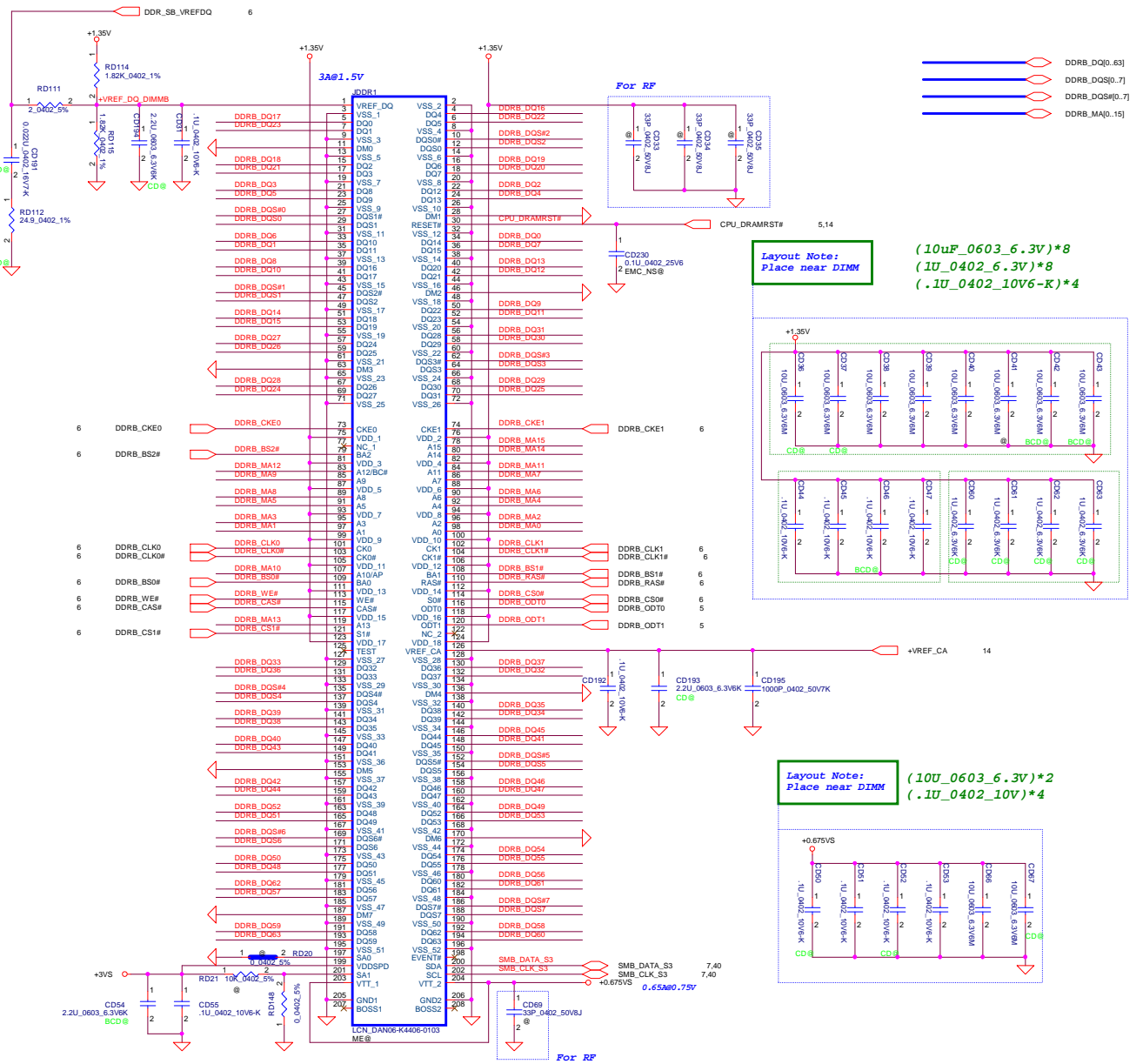
Security Classification		LC Future Center Secret Data		Title	
Issued Date	2015/02/27	Deciphered Date	2013/08/05	MCP (OTHER)	
THIS SHEET OF ENGINEERING DRAWING IS THE PROPRIETARY PROPERTY OF LC FUTURE CENTER, AND CONTAINS CONFIDENTIAL AND TRADE SECRET INFORMATION. THIS SHEET MAY NOT BE TRANSFERRED FROM THE CUSTODY OF THE COMPETENT DIVISION OF R&D DEPARTMENT EXCEPT AS AUTHORIZED BY LC FUTURE CENTER NEITHER THIS SHEET NOR THE INFORMATION IT CONTAINS MAY BE USED BY OR DISCLOSED TO ANY THIRD PARTY WITHOUT PRIOR WRITTEN CONSENT OF LC FUTURE CENTER.					
Size Custom	Document Number	CG510		Rev	0.2
Date:	Saturday, May 09, 2015	Sheet	13	of	59

Signal voltage level = 0.675 V
 PLACE TWO 4.7K RESISTORS CLOSE TO
 D1862 OR D1864_VREF_CA_0, D1864_VREF_D0
 Decoupling caps are needed: one 0.1µF placed close to VREF pins



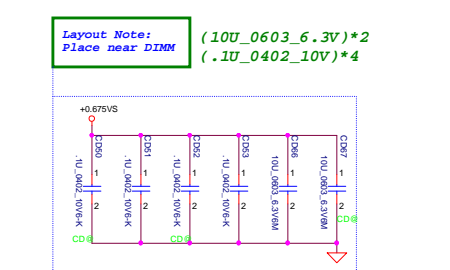
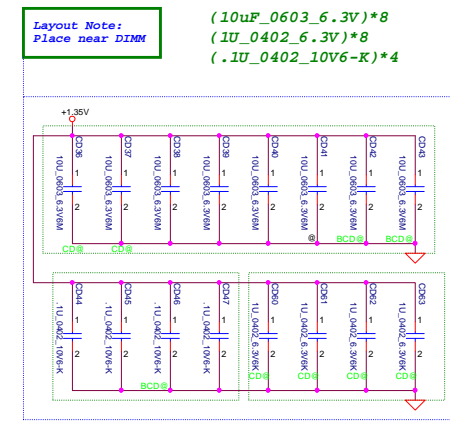
Security Classification	LC Future Center Secret Data		Item
Issued Date	2015/02/27	Disphased Date	2015/09/05
THIS SHEET OF ENGINEERING DRAWING IS THE PROPRIETARY PROPERTY OF LC FUTURE CENTER AND CONTAINS CONFIDENTIAL AND TRADE SECRET INFORMATION. THIS SHEET MAY NOT BE REPRODUCED FROM THE CUSTODY OF THE COMPETENT DIVISION OF THE DEPARTMENT EXCEPT AS AUTHORIZED BY LC FUTURE CENTER. PLEASE KEEP THE INFORMATION ON THIS SHEET STRICTLY CONFIDENTIAL.			
Doc. No.			CS910
Date			Wednesday, May 13, 2015 10:52am 14 of 38

DDR3 SO-DIMM B



Swap Table

Pin Number	Pin Name	Net Name
5	DQ0	DDR8_DQ17
7	DQ1	DDR8_DQ23
15	DQ2	DDR8_DQ18
17	DQ3	DDR8_DQ21
4	DQ4	DDR8_DQ16
6	DQ5	DDR8_DQ22
16	DQ6	DDR8_DQ19
18	DQ7	DDR8_DQ20
10	DQS#0	DDR8_DQS#2
12	DQS0	DDR8_DQS#2
21	DQ8	DDR8_DQ3
23	DQ9	DDR8_DQ5
33	DQ10	DDR8_DQ6
35	DQ11	DDR8_DQ1
22	DQ12	DDR8_DQ2
24	DQ13	DDR8_DQ4
34	DQ14	DDR8_DQ0
36	DQ15	DDR8_DQ7
27	DQS#1	DDR8_DQS#0
29	DQS1	DDR8_DQS#0
39	DQ16	DDR8_DQ8
41	DQ17	DDR8_DQ10
51	DQ18	DDR8_DQ14
53	DQ19	DDR8_DQ15
40	DQ20	DDR8_DQ13
42	DQ21	DDR8_DQ12
50	DQ22	DDR8_DQ9
52	DQ23	DDR8_DQ11
45	DQS#2	DDR8_DQS#1
47	DQS2	DDR8_DQS#1
57	DQ24	DDR8_DQ27
59	DQ25	DDR8_DQ26
67	DQ26	DDR8_DQ28
69	DQ27	DDR8_DQ24
56	DQ28	DDR8_DQ31
58	DQ29	DDR8_DQ30
68	DQ30	DDR8_DQ29
70	DQ31	DDR8_DQ25
62	DQS#3	DDR8_DQS#3
64	DQS3	DDR8_DQS#3
129	DQ32	DDR8_DQ33
131	DQ33	DDR8_DQ36
141	DQ34	DDR8_DQ39
143	DQ35	DDR8_DQ38
130	DQ36	DDR8_DQ37
132	DQ37	DDR8_DQ32
140	DQ38	DDR8_DQ35
142	DQ39	DDR8_DQ34
135	DQS#4	DDR8_DQS#4
137	DQS4	DDR8_DQS#4
147	DQ40	DDR8_DQ40
149	DQ41	DDR8_DQ43
157	DQ42	DDR8_DQ42
159	DQ43	DDR8_DQ44
146	DQ44	DDR8_DQ45
148	DQ45	DDR8_DQ41
158	DQ46	DDR8_DQ46
160	DQ47	DDR8_DQ47
152	DQS#5	DDR8_DQS#5
154	DQS5	DDR8_DQS#5
163	DQ48	DDR8_DQ52
165	DQ49	DDR8_DQ51
175	DQ50	DDR8_DQ50
177	DQ51	DDR8_DQ48
164	DQ52	DDR8_DQ49
166	DQ53	DDR8_DQ53
174	DQ54	DDR8_DQ54
176	DQ55	DDR8_DQ55
169	DQS#6	DDR8_DQS#6
171	DQS6	DDR8_DQS#6
181	DQ56	DDR8_DQ62
183	DQ57	DDR8_DQ57
191	DQ58	DDR8_DQ59
193	DQ59	DDR8_DQ63
190	DQ60	DDR8_DQ56
182	DQ61	DDR8_DQ61
192	DQ62	DDR8_DQ58
194	DQ63	DDR8_DQ60
186	DQS#7	DDR8_DQS#7
188	DQS7	DDR8_DQS#7



Security Classification	LC Future Center Secret Data		Title
Issued Date	2015/02/27	Declassify Date	2013/09/05
<small>THIS SHEET OF ENGINEERING DRAWING IS THE PROPRIETARY PROPERTY OF LC FUTURE CENTER AND COVERS CONFIDENTIAL AND TRADE SECRET INFORMATION. THIS SHEET MAY NOT BE TRANSMITTED FROM THE CUSTODY OF THE COMPETENT DIVISION OF THE COMPETENT BUREAU OR AUTHORIZED BY LC FUTURE CENTER WITHOUT THE WRITTEN CONSENT OF LC FUTURE CENTER. IT MAY BE USED BY OR DISCLOSED TO ANY THIRD PARTY WITHOUT WRITTEN CONSENT OF LC FUTURE CENTER.</small>			Document Number CS510
Date			Security, May 09, 2015 15:24 16 of 38

5	4	3	2	1						
D	C	B	A	A						
Security Classification		LC Future Center Secret Data		Title						
Issued Date	2015/02/27	Deciphered Date	2013/08/05	Blank						
THIS SHEET OF ENGINEERING DRAWING IS THE PROPRIETARY PROPERTY OF LC FUTURE CENTER, AND CONTAINS CONFIDENTIAL AND TRADE SECRET INFORMATION. THIS SHEET MAY NOT BE TRANSFERRED FROM THE CUSTODY OF THE COMPETENT DIVISION OF R&D DEPARTMENT EXCEPT AS AUTHORIZED BY LC FUTURE CENTER NEITHER THIS SHEET NOR THE INFORMATION IT CONTAINS MAY BE USED BY OR DISCLOSED TO ANY THIRD PARTY WITHOUT PRIOR WRITTEN CONSENT OF LC FUTURE CENTER.				<table border="1"> <tr> <td data-bbox="1742 1056 1780 1077">Size</td> <td data-bbox="1780 1056 2139 1077">Document Number</td> <td data-bbox="2139 1056 2172 1077">Rev</td> </tr> <tr> <td data-bbox="1742 1077 1780 1098">Custom</td> <td data-bbox="1780 1077 2139 1098">CG510</td> <td data-bbox="2139 1077 2172 1098">0.2</td> </tr> </table>	Size	Document Number	Rev	Custom	CG510	0.2
Size	Document Number	Rev								
Custom	CG510	0.2								
Date: Saturday, May 09, 2015			Sheet	17 of 59						
5	4	3	2	1						

N15x GPIO

GPIO	I/O	ACTIVE	Function Description
GPIO0	OUT	-	FB Enable for GC6 2.0
GPIO1	OUT	N/A	
GPIO2	OUT	N/A	
GPIO3	OUT	N/A	
GPIO4	OUT	N/A	
GPIO5	OUT	N/A	GPU power sequencing---3V3_MAIN_EN
GPIO6	IN	-	GPU wake signal for GC6 2.0
GPIO7	OUT	N/A	
GPIO8	I/O	-	System side PCIe reset Monitor
GPIO9	I/O	N/A	2.2K Pull-up
GPIO10	OUT	N/A	
GPIO11	OUT	-	GPU Core VDD PWM control signal
GPIO12	IN		AC Power Detect Input (10K pull High)
GPIO13	OUT	-	Phase Shedding
GPIO14	IN	N/A	
GPIO15	IN	N/A	
GPIO16		N/A	
GPIO17	IN	N/A	
GPIO18	IN	N/A	
GPIO19	IN	N/A	
GPIO20		N/A	
GPIO21	OUT		GPU PCIe self-reset control
OVERT	OUT		Active Low Thermal Catastrophic Over Temperature

Performance Mode P0 TDP at Tj = 102 C* (DDR3)

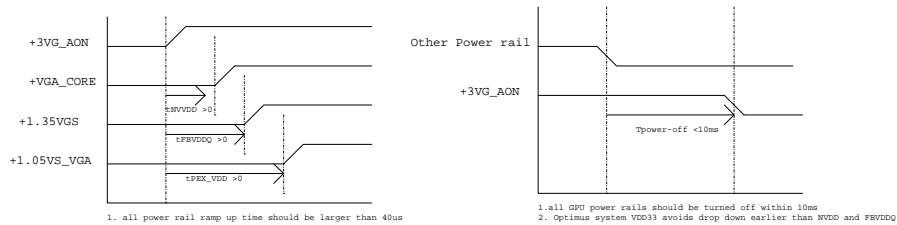
Products	GPU	Mem	NVCLK	NVVDD			FBVDD		FBVDDQ		PCI Express		I/O and PLLVDD		Other		
	(W)	(W)	(MHz)	(V)	(A)	(W)	(A)	(W)	(A)	(W)	(mA)	(W)	(mA)	(W)	(mA)	(W)	
N14X 128bit 1GB DDR3	TBD	TBD	TBD	TBD	TBD	TBD	TBD	TBD	TBD	TBD	TBD	TBD	TBD	TBD	TBD	TBD	TBD

N15x Multi-level Straps

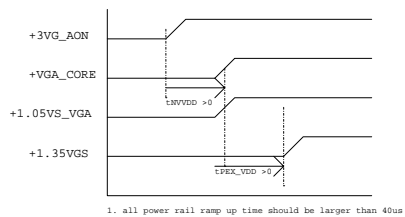
Physical Strapping pin	Power Rail	Logical Strapping Bit3	Logical Strapping Bit2	Logical Strapping Bit1	Logical Strapping Bit0
ROM_SCLK	+3VGS	SOR3_EXPOSED	SOR2_EXPOSED	SOR1_EXPOSED	SOR0_EXPOSED
ROM_SI	+3VGS	RAM_CFG[3]	RAM_CFG[2]	RAM_CFG[1]	RAM_CFG[0]
ROM_SO	+3VGS	DEVID_SEL	PCIE_CFG	SMB_ALT_ADDR	VGA_DEVICE
STRAP0	+3VGS	Reserved(keep pull-up and pull-down footprint and stuff 50kohm pull-up)			
STRAP1	+3VGS	Reserved(keep pull-up and pull-down footprint and not stuff by default)			
STRAP2	+3VGS				
STRAP3	+3VGS				
STRAP4	+3VGS				

SMBUS_ALT_ADDR	
0	0x9E (Default)
1	0x9C (Multi-GPU usage)

N15V-GM Power Sequence



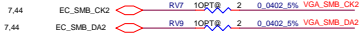
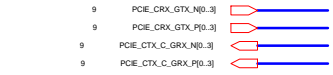
N15S-GT Power Sequence



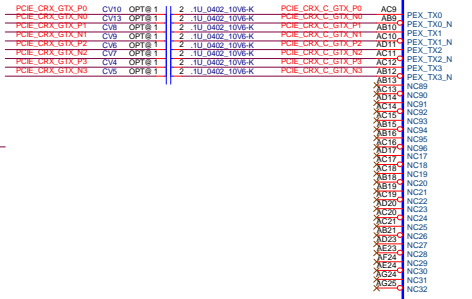
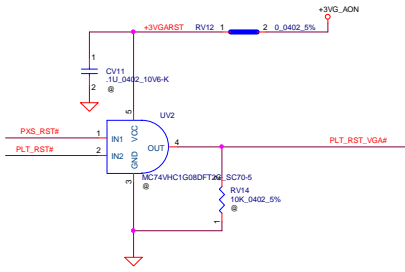
N15x Binary Straps

Physical Strapping pin	Power Rail	Strap Mapping
ROM_SCLK	+3VGS	SMB_ALT_ADDR
ROM_SI	+3VGS	SUB_VENDOR
ROM_SO	+3VGS	VGA_DEVICE
STRAP0	+3VGS	RAM_CFG[0]
STRAP1	+3VGS	RAM_CFG[1]
STRAP2	+3VGS	RAM_CFG[2]
STRAP3	+3VGS	RAM_CFG[3]
STRAP4	+3VGS	PCIE_MAX_SPEED

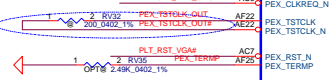
Security Classification	LC Future Center Secret Data		Title
Issued Date	2015/02/27	Deciphered Date	2014/01/21
THIS SHEET OF ENGINEERING DRAWING IS THE PROPRIETARY PROPERTY OF LC FUTURE CENTER, AND CONTAINS CONFIDENTIAL AND TRADE SECRET INFORMATION. THIS SHEET MAY NOT BE TRANSFERRED FROM THE CUSTODY OF THE COMPETENT DIVISION OF DEPARTMENT EXCEPT AS AUTHORIZED BY LC FUTURE CENTER. NEITHER THIS SHEET NOR THE INFORMATION IT CONTAINS MAY BE USED BY OR DISCLOSED TO ANY THIRD PARTY WITHOUT PRIOR WRITTEN CONSENT OF LC FUTURE CENTER.			WGA Notes List Document Number: CG510 Date: Saturday, May 09, 2015 1 Sheet 18 of 60
Rev	0.2		



PU AT EC SIDE, +3VS AND 4.7K

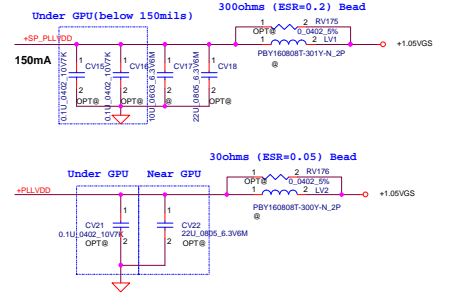
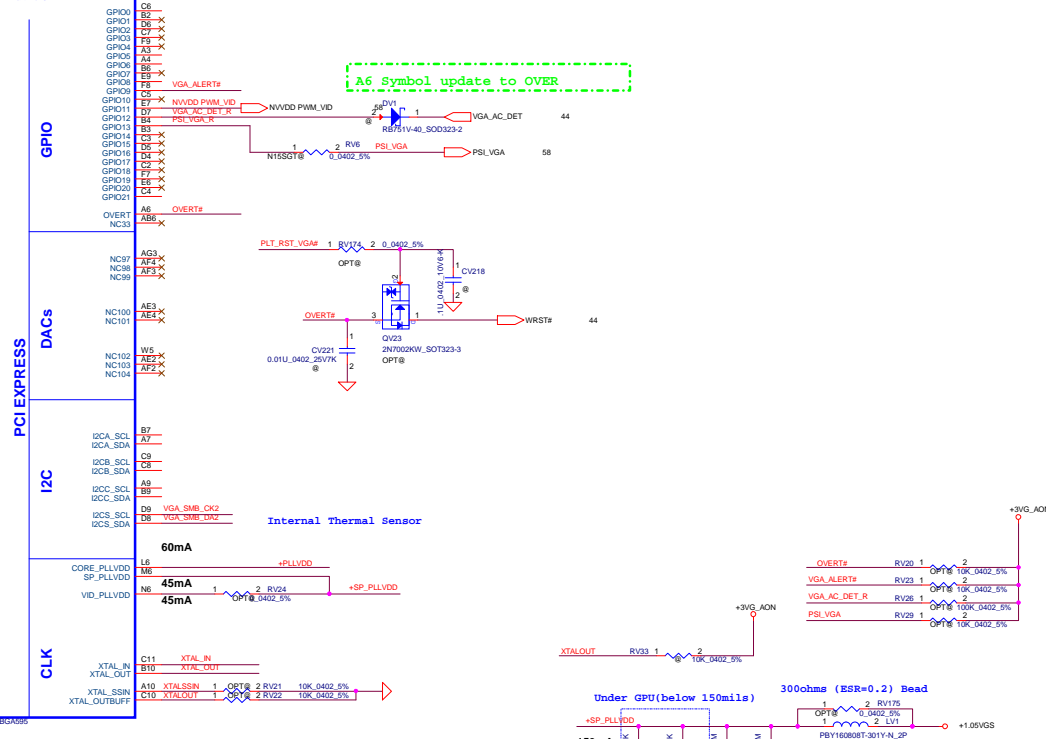


Differential signal

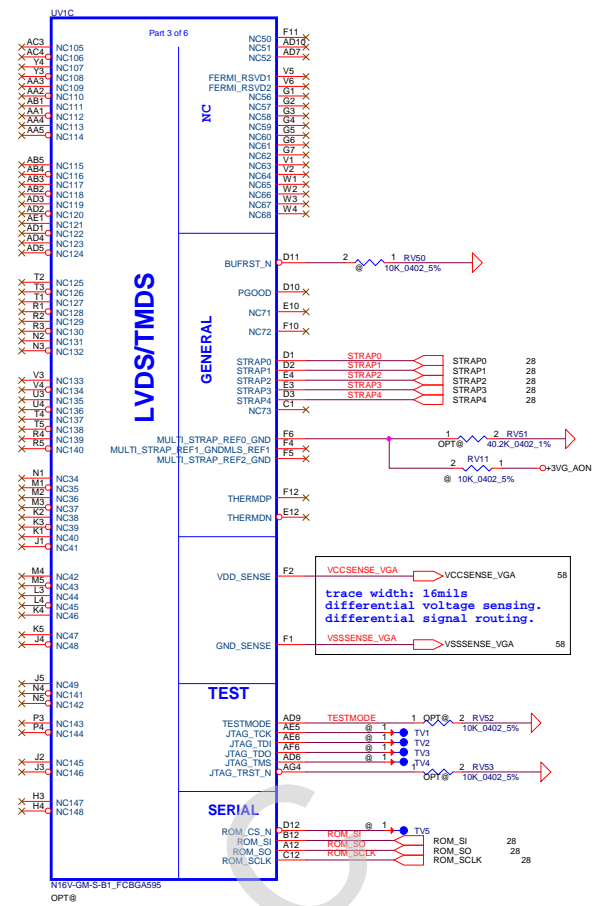


LV14

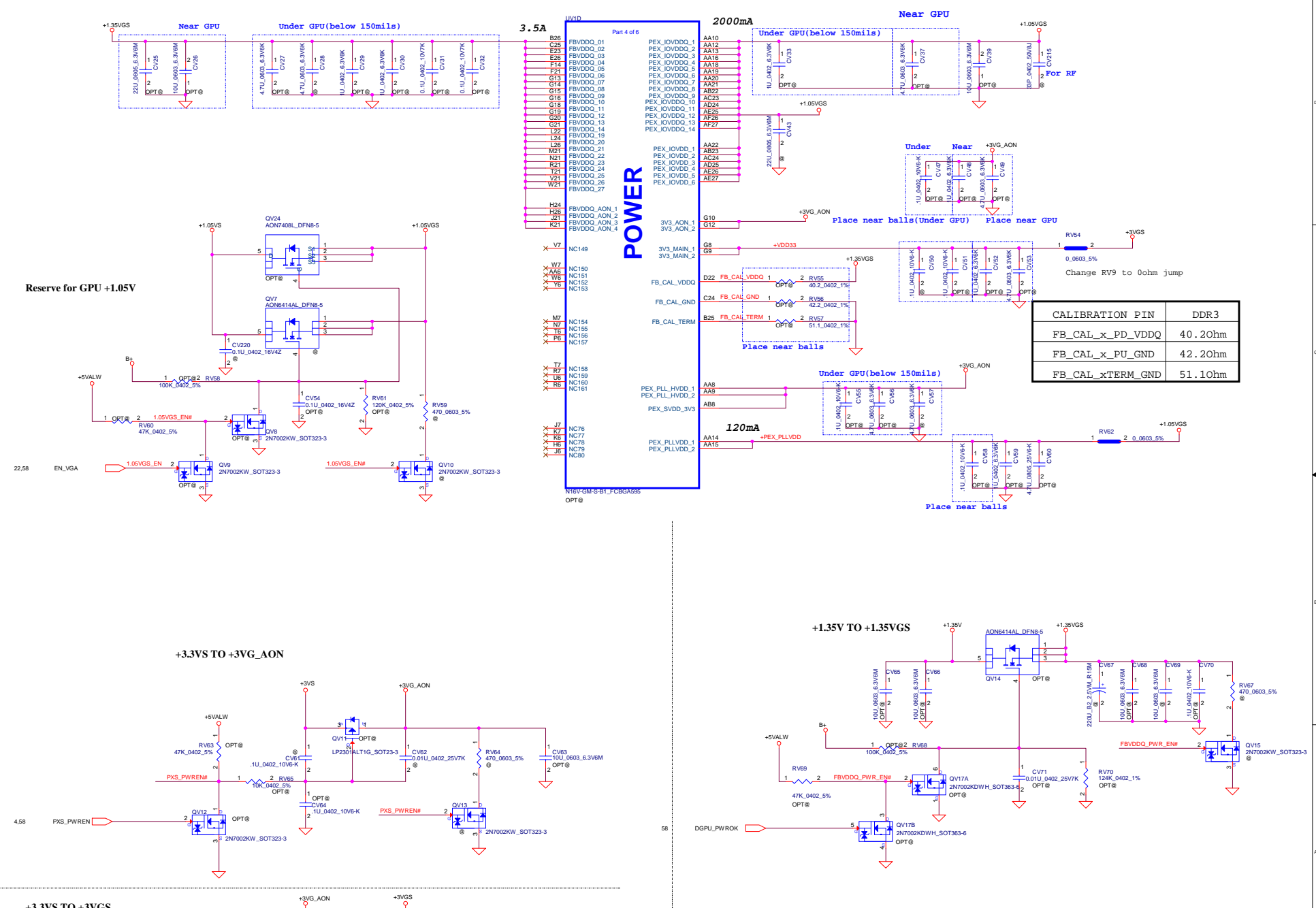
Part 1 of 6



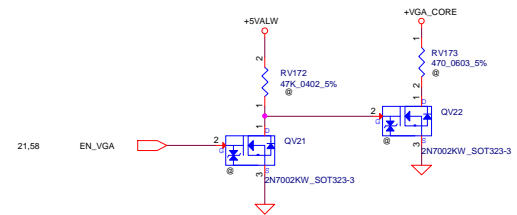
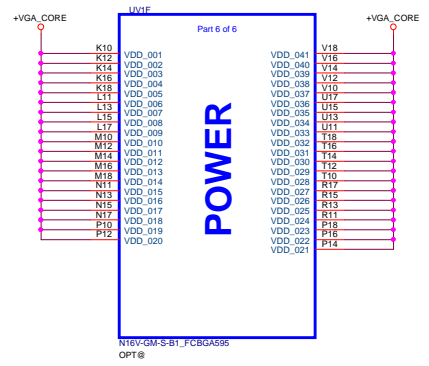
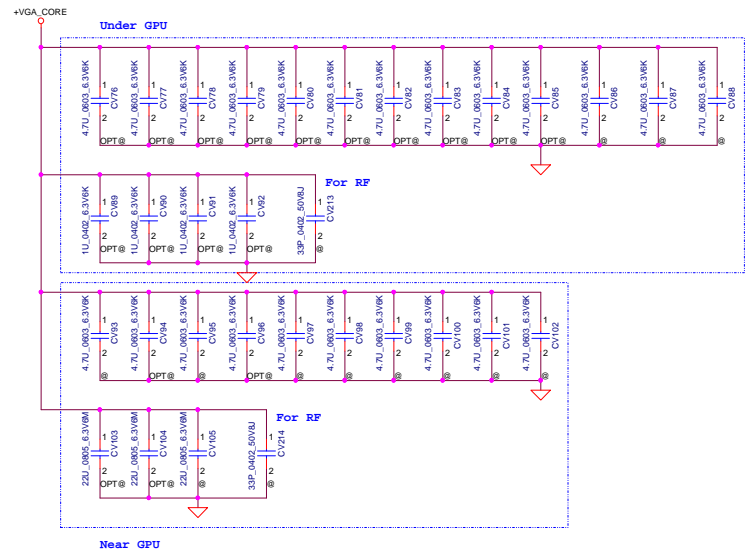
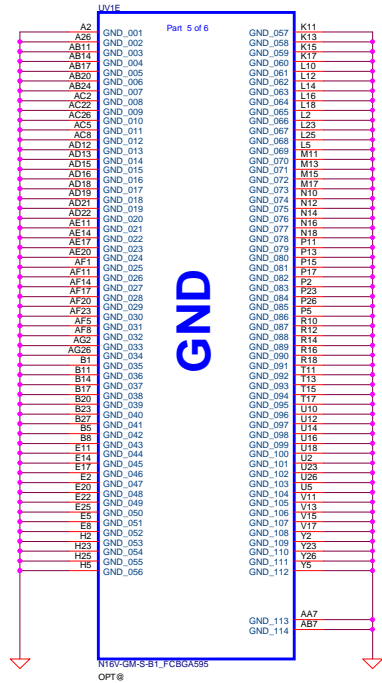
Security Classification	LC Future Center Secret Data		Title
Issued Date	2015/02/27	Deciphered Date	2014/01/21
N16X_PCIE/ DAC/ GPIO			
<small>THIS SHEET OF ENGINEERING DRAWINGS IS THE PROPRIETARY PROPERTY OF LC FUTURE CENTER, AND CONTAINS CONFIDENTIAL AND TRADE SECRET INFORMATION. THIS SHEET MAY NOT BE TRANSFERRED FROM THE CUSTODY OF THE COMPETENT DIVISION OF DEPARTMENT EXCEPT AS AUTHORIZED BY LC FUTURE CENTER. NEITHER THIS SHEET NOR THE INFORMATION IT CONTAINS MAY BE USED BY OR DISCLOSED TO ANY THIRD PARTY WITHOUT PRIOR WRITTEN CONSENT OF LC FUTURE CENTER.</small>			
Rev	0.2	Document Number	CG510
Date	Saturday, May 09, 2015	Sheet	19 of 60



Security Classification		LC Future Center Secret Data		Title	
Issued Date	2015/02/27	Deciphered Date	2014/01/21	N16X_LVDS/ HDM/ THERM	
THIS SHEET OF ENGINEERING DRAWING IS THE PROPRIETARY PROPERTY OF LC FUTURE CENTER, AND CONTAINS CONFIDENTIAL AND TRADE SECRET INFORMATION. THIS SHEET MAY NOT BE TRANSFERRED FROM THE CUSTODY OF THE COMPETENT DIVISION OF DEPARTMENT EXCEPT AS AUTHORIZED BY LC FUTURE CENTER. NEITHER THIS SHEET NOR THE INFORMATION IT CONTAINS MAY BE USED BY OR DISCLOSED TO ANY THIRD PARTY WITHOUT PRIOR WRITTEN CONSENT OF LC FUTURE CENTER.					
Sheet	1	Document Number	CG510	Rev	0.2
Date	Saturday, May 09, 2015	Sheet	20	of	60



Security Classification	LC Future Center Secret Data		Title
Issued Date	2015/02/27	Deciphered Date	2014/01/21
THIS SHEET OF ENGINEERING DRAWING IS THE PROPRIETARY PROPERTY OF LC FUTURE CENTER, AND CONTAINS CONFIDENTIAL AND TRADE SECRET INFORMATION. THIS SHEET MAY NOT BE TRANSFERRED FROM THE CUSTODY OF THE COMPETENT DIVISION OF DEPARTMENT EXCEPT AS AUTHORIZED BY LC FUTURE CENTER. NEITHER THIS SHEET NOR THE INFORMATION IT CONTAINS MAY BE USED BY OR DISCLOSED TO ANY THIRD PARTY WITHOUT PRIOR WRITTEN CONSENT OF LC FUTURE CENTER.			N16X_Power
Sheet	Document Number	Rev	02
C	CG510	Date	Saturday, May 09, 2015 12:58:21
		1	21 of 60

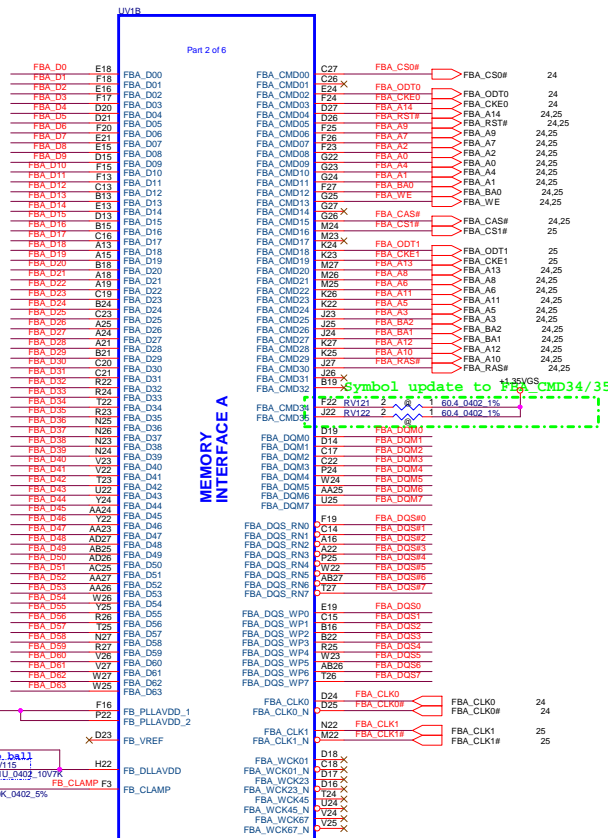


Security Classification		LC Future Center Secret Data		Title	
Issued Date	2015/02/27	Deciphered Date	2014/01/21	N16X_+VGA CORE, GND	
THIS SHEET OF ENGINEERING DRAWING IS THE PROPRIETARY PROPERTY OF LC FUTURE CENTER, AND CONTAINS CONFIDENTIAL AND TRADE SECRET INFORMATION. THIS SHEET MAY NOT BE TRANSFERRED FROM THE CUSTODY OF THE COMPETENT DIVISION OF DEPARTMENT EXCEPT AS AUTHORIZED BY LC FUTURE CENTER. NEITHER THIS SHEET NOR THE INFORMATION IT CONTAINS MAY BE USED BY OR DISCLOSED TO ANY THIRD PARTY WITHOUT PRIOR WRITTEN CONSENT OF LC FUTURE CENTER.					
Sheet	C	Document Number	CG510	Rev	02
Date	Saturday, May 09, 2015	ISheet	22	of	60



CMD mapping mod Mode D

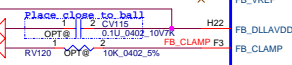
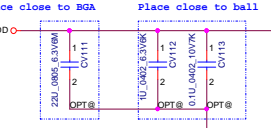
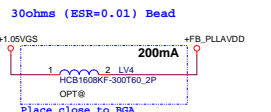
Address	Rank0	
	0..31	32..63
Fbx_CMD0	CS0#	
Fbx_CMD1		
Fbx_CMD2	ODT0	
Fbx_CMD3	CKE0	
Fbx_CMD4	A14	A14
Fbx_CMD5	RST	RST
Fbx_CMD6	A9	A9
Fbx_CMD7	A7	A7
Fbx_CMD8	A2	A2
Fbx_CMD9	A0	A0
Fbx_CMD10	A4	A4
Fbx_CMD11	A1	A1
Fbx_CMD12	BA0	BA0
Fbx_CMD13	WE	WE
Fbx_CMD14	A15	A15
Fbx_CMD15	CAS#	CAS#
Fbx_CMD16		CSI#
Fbx_CMD17		
Fbx_CMD18		ODT1
Fbx_CMD19		CKE1
Fbx_CMD20	A13	A13
Fbx_CMD21	A8	A8
Fbx_CMD22	A6	A6
Fbx_CMD23	A11	A11
Fbx_CMD24	A5	A5
Fbx_CMD25	A3	A3
Fbx_CMD26	BA2	BA2
Fbx_CMD27	BA1	BA1
Fbx_CMD28	A12	A12
Fbx_CMD29	A10	A10
Fbx_CMD30	RAS#	RAS#
Fbx_CMD31		
Fbx_CMD32		
Fbx_CMD33		
Fbx_CMD34	DBG0	
Fbx_CMD35	DBG1	



MEMORY INTERFACE A

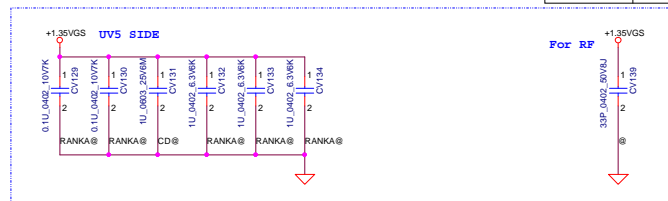
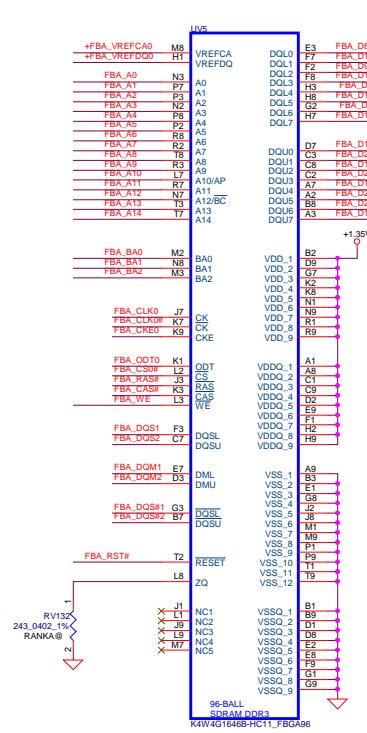
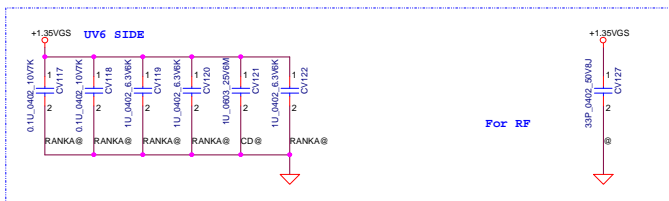
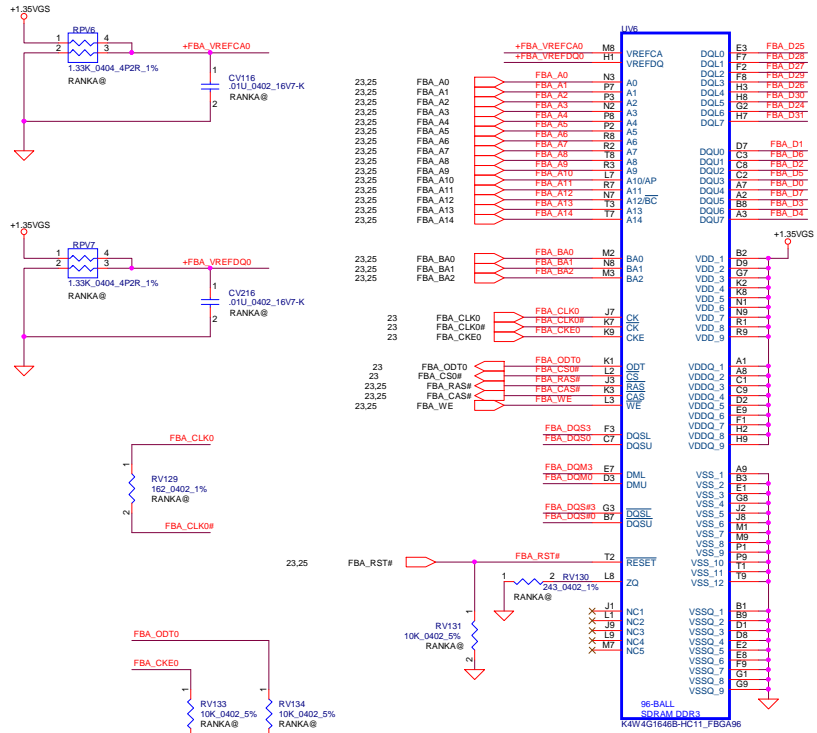
Part 2 of 6

Symbol update to Fbx_CMD34/35



Security Classification		LC Future Center Secret Data		Title	
Issued Date		Deciphered Date		N16X_MEM Interface	
2015/02/27		2014/01/21			
THIS SHEET OF ENGINEERING DRAWING IS THE PROPRIETARY PROPERTY OF LC FUTURE CENTER, AND CONTAINS CONFIDENTIAL AND TRADE SECRET INFORMATION. THIS SHEET MAY NOT BE TRANSFERRED FROM THE CUSTODY OF THE COMPETENT DIVISION OF DEPARTMENT EXCEPT AS AUTHORIZED BY LC FUTURE CENTER. NEITHER THIS SHEET NOR THE INFORMATION IT CONTAINS MAY BE USED BY OR DISCLOSED TO ANY THIRD PARTY WITHOUT PRIOR WRITTEN CONSENT OF LC FUTURE CENTER.					
Rev	Document Number	Date		CG510	
C		Saturday, May 09, 2015		1 Sheet 23 of 60	

at least 16 mils width(optimal)
20 mils spacing to other signals /planes

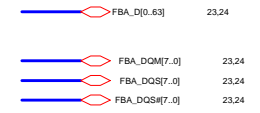
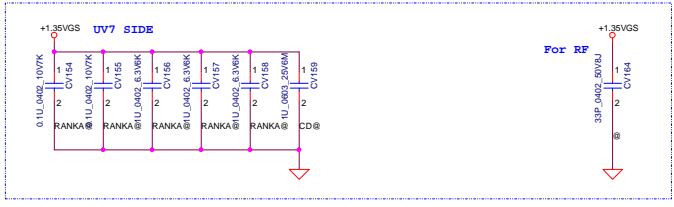
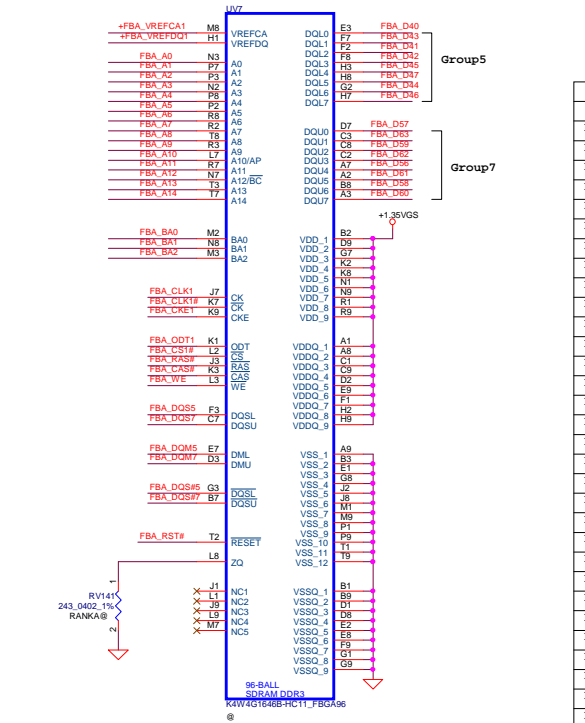
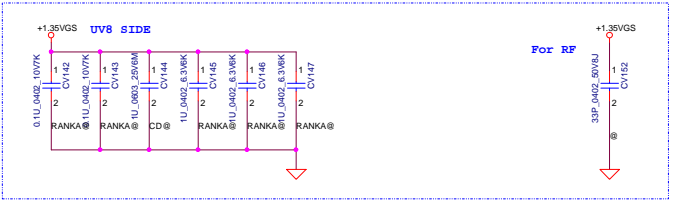
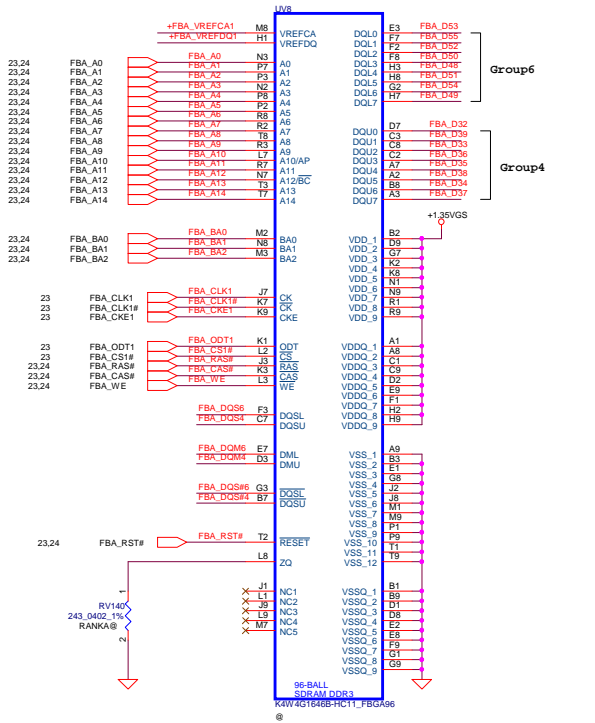
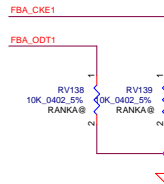
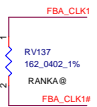
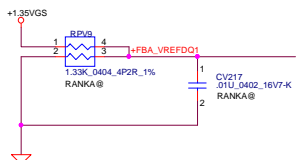
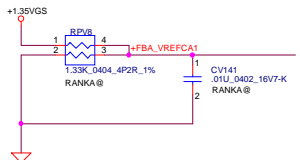


CMD mapping mod Mode D

Address	Rank0	
	0..31	32..63
FBx_CMD0	CS0#	
FBx_CMD1		
FBx_CMD2	ODT0	
FBx_CMD3	CKE0	
FBx_CMD4	A14	A14
FBx_CMD5	RST	RST
FBx_CMD6	A9	A9
FBx_CMD7	A7	A7
FBx_CMD8	A2	A2
FBx_CMD9	A0	A0
FBx_CMD10	A4	A4
FBx_CMD11	A1	A1
FBx_CMD12	BA0	BA0
FBx_CMD13	WE	WE
FBx_CMD14	A15	A15
FBx_CMD15	CAS#	CAS#
FBx_CMD16	CS1#	
FBx_CMD17		
FBx_CMD18		
FBx_CMD19	ODT1	
FBx_CMD20	CKE1	
FBx_CMD21	A13	A13
FBx_CMD22	A8	A8
FBx_CMD23	A6	A6
FBx_CMD24	A11	A11
FBx_CMD25	A3	A3
FBx_CMD26	BA2	BA2
FBx_CMD27	BA1	BA1
FBx_CMD28	A12	A12
FBx_CMD29	A10	A10
FBx_CMD30	RAS#	RAS#
FBx_CMD31		
FBx_CMD32		
FBx_CMD33		
FBx_CMD34	DBG0	
FBx_CMD35	DBG1	

Security Classification	LC Future Center Secret Data		Title
Issued Date	2015/02/27	Deciphered Date	2014/01/21
THIS SHEET OF ENGINEERING DRAWING IS THE PROPRIETARY PROPERTY OF LC FUTURE CENTER, AND CONTAINS CONFIDENTIAL AND TRADE SECRET INFORMATION. THIS SHEET MAY NOT BE TRANSFERRED FROM THE CUSTODY OF THE COMPETENT DIVISION OF DEPARTMENT EXCEPT AS AUTHORIZED BY LC FUTURE CENTER. NEITHER THIS SHEET NOR THE INFORMATION IT CONTAINS MAY BE USED BY OR DISCLOSED TO ANY THIRD PARTY WITHOUT PRIOR WRITTEN CONSENT OF LC FUTURE CENTER.			Document Number CG510
Date	Saturday, May 08, 2015	Sheet	24 of 60

at least 16 mils width(optimal)
20 mils spacing to other signals/planes

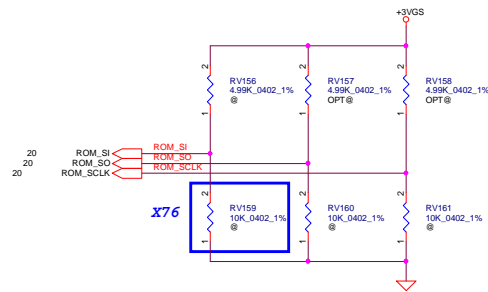
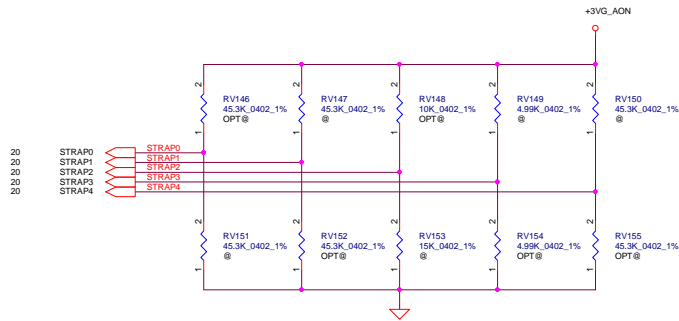


CMD mapping mod Mode D

Address	Rank0		
0..31	32..63		
FBx_CMD0	CS0#		
FBx_CMD1			
FBx_CMD2	ODT0		
FBx_CMD3	CKE0		
FBx_CMD4	A14	A14	
FBx_CMD5	RST	RST	
FBx_CMD6	A9	A9	
FBx_CMD7	A7	A7	
FBx_CMD8	A2	A2	
FBx_CMD9	A0	A0	
FBx_CMD10	A4	A4	
FBx_CMD11	A1	A1	
FBx_CMD12	BA0	BA0	
FBx_CMD13	WE	WE	
FBx_CMD14	A15	A15	
FBx_CMD15	CAS#	CAS#	
FBx_CMD16	CS1#		
FBx_CMD17			
FBx_CMD18	ODT1		
FBx_CMD19	CKE1		
FBx_CMD20	A13	A13	
FBx_CMD21	A8	A8	
FBx_CMD22	A6	A6	
FBx_CMD23	A11	A11	
FBx_CMD24	A5	A5	
FBx_CMD25	A3	A3	
FBx_CMD26	BA2	BA2	
FBx_CMD27	BA1	BA1	
FBx_CMD28	A12	A12	
FBx_CMD29	A10	A10	
FBx_CMD30	RAS#	RAS#	
FBx_CMD31			
FBx_CMD32			
FBx_CMD33			
FBx_CMD34	DBG0		
FBx_CMD35	DBG1		

Security Classification	LC Future Center Secret Data		Title	DDR3 VRAM Rank1_L
Issued Date	2015/02/27	Deciphered Date	2014/01/21	
THIS SHEET OF ENGINEERING DRAWING IS THE PROPRIETARY PROPERTY OF LC FUTURE CENTER, AND CONTAINS CONFIDENTIAL AND TRADE SECRET INFORMATION. THIS SHEET MAY NOT BE TRANSFERRED FROM THE CUSTODY OF THE COMPETENT DIVISION OF DEPARTMENT EXCEPT AS AUTHORIZED BY LC FUTURE CENTER. NEITHER THIS SHEET NOR THE INFORMATION IT CONTAINS MAY BE USED BY OR DISCLOSED TO ANY THIRD PARTY WITHOUT PRIOR WRITTEN CONSENT OF LC FUTURE CENTER.				Rev 0.2
			Document Number CG510	
			Date Saturday, May 09, 2015	Sheet 26 of 60

5	4	3	2	1									
D	C	B	A	A									
Security Classification		LC Future Center Secret Data		Title									
Issued Date	2015/02/27	Deciphered Date	2013/08/05	Blank									
THIS SHEET OF ENGINEERING DRAWING IS THE PROPRIETARY PROPERTY OF LC FUTURE CENTER, AND CONTAINS CONFIDENTIAL AND TRADE SECRET INFORMATION. THIS SHEET MAY NOT BE TRANSFERRED FROM THE CUSTODY OF THE COMPETENT DIVISION OF R&D DEPARTMENT EXCEPT AS AUTHORIZED BY LC FUTURE CENTER NEITHER THIS SHEET NOR THE INFORMATION IT CONTAINS MAY BE USED BY OR DISCLOSED TO ANY THIRD PARTY WITHOUT PRIOR WRITTEN CONSENT OF LC FUTURE CENTER.				<table border="1"> <tr> <td data-bbox="1742 1056 1780 1077">Size</td> <td data-bbox="1780 1056 2139 1077">Document Number</td> <td data-bbox="2139 1056 2184 1077">Rev</td> </tr> <tr> <td data-bbox="1742 1077 1780 1098">Custom</td> <td data-bbox="1780 1077 2139 1098">CG510</td> <td data-bbox="2139 1077 2184 1098">0.2</td> </tr> <tr> <td colspan="2" data-bbox="1742 1098 1982 1120">Date: Saturday, May 09, 2015</td> <td data-bbox="1982 1098 2184 1120">Sheet 27 of 59</td> </tr> </table>	Size	Document Number	Rev	Custom	CG510	0.2	Date: Saturday, May 09, 2015		Sheet 27 of 59
Size	Document Number	Rev											
Custom	CG510	0.2											
Date: Saturday, May 09, 2015		Sheet 27 of 59											
5	4	3	2	1									



Physical Strapping pin	Power Rail	Logical Strapping Bit3	Logical Strapping Bit2	Logical Strapping Bit1	Logical Strapping Bit0
ROM_SCLK	+3VGS	SOR3_EXPOSED	SOR2_EXPOSED	SOR1_EXPOSED	SOR0_EXPOSED
ROM_SI	+3VGS	RAM_CFG[3]	RAM_CFG[2]	RAM_CFG[1]	RAM_CFG[0]
ROM_SO	+3VGS	DEVID_SEL	PCIE_CFG	SMB_ALT_ADDR	VGA_DEVICE
STRAP0	+3VGS	Reserved(keep pull-up and pull-down footprint and stuff 50kohm pull-up)			
STRAP1	+3VGS	Reserved(keep pull-up and pull-down footprint and not stuff by default)			
STRAP2	+3VGS				
STRAP3	+3VGS				
STRAP4	+3VGS				

Resistor Values	Pull-up to +3VGS	Pull-down to Gnd
4.99K SD03445318.T	1000	0000
10K	1001	0001
15K	1010	0010
20K	1011	0011
24.9K SD03445325.T	1100	0100
30.1K SD03445328.T	1101	0101
34.8K SD03445329.T	1110	0110
45.3K SD03445328.T	1111	0111

Physical Strapping pin	Power Rail	Strap Mapping
ROM_SCLK	+3VGS	SMB_ALT_ADDR
ROM_SI	+3VGS	SUB_VENDOR
ROM_SO	+3VGS	VGA_DEVICE
STRAP0	+3VGS	RAM_CFG[0]
STRAP1	+3VGS	RAM_CFG[1]
STRAP2	+3VGS	RAM_CFG[2]
STRAP3	+3VGS	RAM_CFG[3]
STRAP4	+3VGS	PCIE_MAX_SPEED

DEVID_SEL	
0	(Default)
1	

PCIE_CFG	
0	(Default)
1	

SMBUS_ALT_ADDR	
0	0x9E (Default)
1	0x9C (Multi-GPU usage)

VGA_DEVICE	
0	3D Device (Class Code 302h)
1	VGA Device (Default)

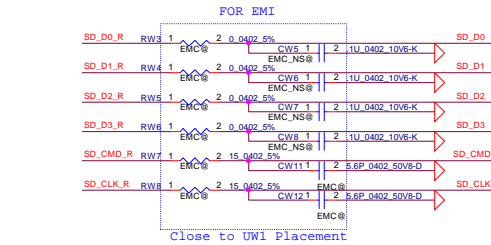
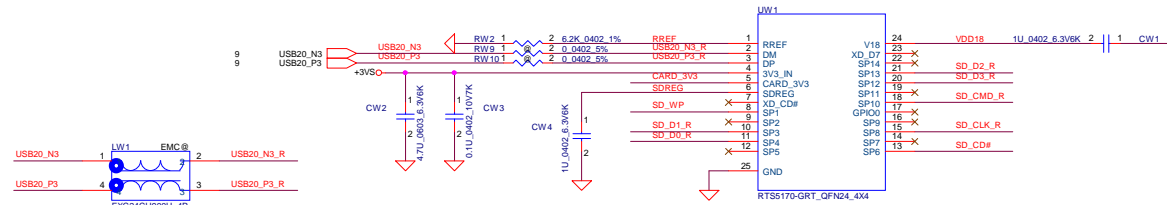
X76

GPU	FB Memory (DDR3L)	ROM_SI	ROM_SO	ROM_SCLK	STRAP0	STRAP1	STRAP2	STRAP3	STRAP4		
N16V-GM	H5TC4G63AFR-11C	0xE	PU 4.99K	PU 4.99K	PU 45.3K	PD 45.3K	PU 10K	PD 4.99K	PD 45.3K		
	Hynix 900MHz	256M x 16								PU 34.8K	
	MT41J256M16HA-093G:E	0xD								PU 30.1K	
	Micron 900MHz	256M x 16								0xD	PU 20K
	H5TC2G63FFR-11C	0xB								PU 20K	
	Hynix 900MHz	128M x 16								0xB	PU 20K
MT41J128M16JT-093G	0x8	PU 4.99K									
Micron 900MHz	128M x 16	0x8	PU 4.99K								
K4W2G1646Q-BC1A	0x7	PU 4.99K									
Samsung 900MHz	128M x 16	0x7	PD 45.3K								

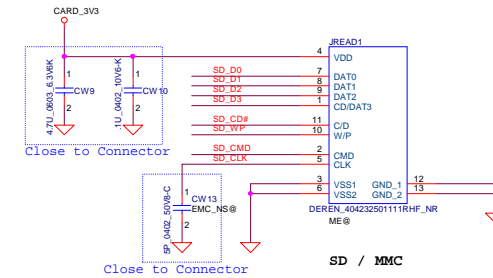
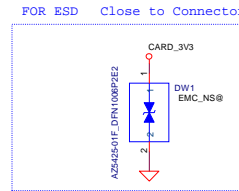
VRAM	X76	VRAM P/N
Samsung	X7606012101	SA00005SH40
Micron	X7606012001	SA00005M120
Hynix	X7606012002	SA00005VS00

Security Classification	LC Future Center Secret Data		Title
Issued Date	2015/02/27	Deciphered Date	2014/01/21
THIS SHEET OF ENGINEERING DRAWING IS THE PROPRIETARY PROPERTY OF LC FUTURE CENTER, AND CONTAINS CONFIDENTIAL AND TRADE SECRET INFORMATION. THIS SHEET MAY NOT BE TRANSFERRED FROM THE CUSTODY OF THE COMPETENT DIVISION OF DEPARTMENT EXCEPT AS AUTHORIZED BY LC FUTURE CENTER. NEITHER THIS SHEET NOR THE INFORMATION IT CONTAINS MAY BE USED BY OR DISCLOSED TO ANY THIRD PARTY WITHOUT PRIOR WRITTEN CONSENT OF LC FUTURE CENTER.			N16X_MISC Document Number CG510 Date: Saturday, May 09, 2015 1Sheet 26 of 60
Rev	02		

5	4	3	2	1								
D	C	B	A									
<table border="1"> <tr> <th>Security Classification</th> <td colspan="3">LC Future Center Secret Data</td> </tr> <tr> <th>Issued Date</th> <td>2015/02/27</td> <th>Deciphered Date</th> <td>2013/08/05</td> </tr> </table>				Security Classification	LC Future Center Secret Data			Issued Date	2015/02/27	Deciphered Date	2013/08/05	Title Blank
Security Classification	LC Future Center Secret Data											
Issued Date	2015/02/27	Deciphered Date	2013/08/05									
<small>THIS SHEET OF ENGINEERING DRAWING IS THE PROPRIETARY PROPERTY OF LC FUTURE CENTER AND CONTAINS CONFIDENTIAL AND TRADE SECRET INFORMATION. THIS SHEET MAY NOT BE TRANSFERRED FROM THE CUSTODY OF THE COMPETENT DIVISION OF R&D DEPARTMENT EXCEPT AS AUTHORIZED BY LC FUTURE CENTER NEITHER THIS SHEET NOR THE INFORMATION IT CONTAINS MAY BE USED BY OR DISCLOSED TO ANY THIRD PARTY WITHOUT PRIOR WRITTEN CONSENT OF LC FUTURE CENTER.</small>				<table border="1"> <tr> <th>Size</th> <td>Custom</td> <th>Document Number</th> <td>CG510</td> <th>Rev</th> <td>0.2</td> </tr> </table>	Size	Custom	Document Number	CG510	Rev	0.2		
Size	Custom	Document Number	CG510	Rev	0.2							
				Date: Saturday, May 09, 2015 Sheet 29 of 59								

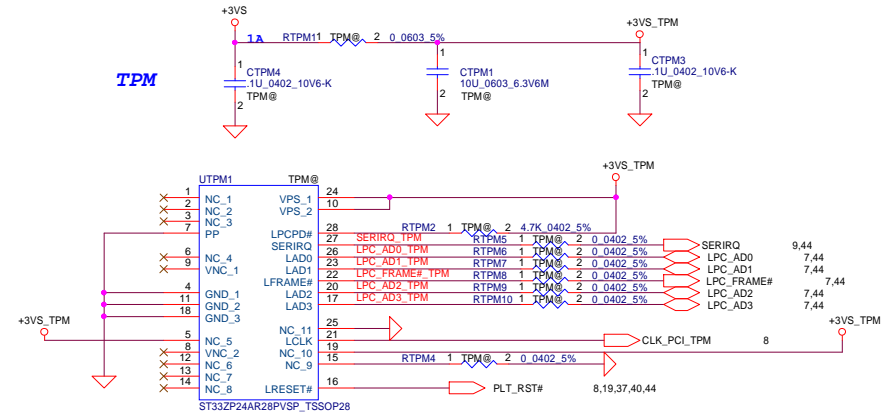


CW11,CW12 need to change 5.6pf CAP as EMC request



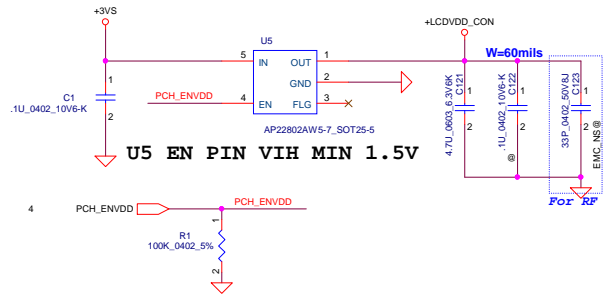
Security Classification		LC Future Center Secret Data		Title	
Issued Date	2015/02/27	Deciphered Date	2015/12/11	Cardreader	
THIS SHEET OF ENGINEERING DRAWING IS THE PROPRIETARY PROPERTY OF LC FUTURE CENTER, AND CONTAINS CONFIDENTIAL AND TRADE SECRET INFORMATION. THIS SHEET MAY NOT BE TRANSFERRED FROM THE CUSTODY OF THE COMPETENT DIVISION OF DEPARTMENT EXCEPT AS AUTHORIZED BY LC FUTURE CENTER. NEITHER THIS SHEET NOR THE INFORMATION IT CONTAINS MAY BE USED BY OR DISCLOSED TO ANY THIRD PARTY WITHOUT PRIOR WRITTEN CONSENT OF LC FUTURE CENTER.					
Doc No	Document Number	Rev	CG510	Rev	0.2
Date	Saturday, May 09, 2015	Sheet	30	of	60

5	4	3	2	1																	
D	C	B	A	A																	
<table border="1"> <tr> <td>Security Classification</td> <td colspan="2">LC Future Center Secret Data</td> </tr> <tr> <td>Issued Date</td> <td>2015/02/27</td> <td>Deciphered Date</td> </tr> <tr> <td colspan="3"> <small>THIS SHEET OF ENGINEERING DRAWING IS THE PROPRIETARY PROPERTY OF LC FUTURE CENTER, AND CONTAINS CONFIDENTIAL AND TRADE SECRET INFORMATION. THIS SHEET MAY NOT BE TRANSFERRED FROM THE CUSTODY OF THE COMPETENT DIVISION OF R&D DEPARTMENT EXCEPT AS AUTHORIZED BY LC FUTURE CENTER NEITHER THIS SHEET NOR THE INFORMATION IT CONTAINS MAY BE USED BY OR DISCLOSED TO ANY THIRD PARTY WITHOUT PRIOR WRITTEN CONSENT OF LC FUTURE CENTER.</small> </td> </tr> </table>			Security Classification	LC Future Center Secret Data		Issued Date	2015/02/27	Deciphered Date	<small>THIS SHEET OF ENGINEERING DRAWING IS THE PROPRIETARY PROPERTY OF LC FUTURE CENTER, AND CONTAINS CONFIDENTIAL AND TRADE SECRET INFORMATION. THIS SHEET MAY NOT BE TRANSFERRED FROM THE CUSTODY OF THE COMPETENT DIVISION OF R&D DEPARTMENT EXCEPT AS AUTHORIZED BY LC FUTURE CENTER NEITHER THIS SHEET NOR THE INFORMATION IT CONTAINS MAY BE USED BY OR DISCLOSED TO ANY THIRD PARTY WITHOUT PRIOR WRITTEN CONSENT OF LC FUTURE CENTER.</small>			<table border="1"> <tr> <td>Title</td> <td colspan="2">Blank</td> </tr> <tr> <td>Size</td> <td>Document Number</td> <td>Rev</td> </tr> <tr> <td>Custom</td> <td>CG510</td> <td>0.2</td> </tr> </table>	Title	Blank		Size	Document Number	Rev	Custom	CG510	0.2
Security Classification	LC Future Center Secret Data																				
Issued Date	2015/02/27	Deciphered Date																			
<small>THIS SHEET OF ENGINEERING DRAWING IS THE PROPRIETARY PROPERTY OF LC FUTURE CENTER, AND CONTAINS CONFIDENTIAL AND TRADE SECRET INFORMATION. THIS SHEET MAY NOT BE TRANSFERRED FROM THE CUSTODY OF THE COMPETENT DIVISION OF R&D DEPARTMENT EXCEPT AS AUTHORIZED BY LC FUTURE CENTER NEITHER THIS SHEET NOR THE INFORMATION IT CONTAINS MAY BE USED BY OR DISCLOSED TO ANY THIRD PARTY WITHOUT PRIOR WRITTEN CONSENT OF LC FUTURE CENTER.</small>																					
Title	Blank																				
Size	Document Number	Rev																			
Custom	CG510	0.2																			
<table border="1"> <tr> <td>2013/08/05</td> </tr> </table>			2013/08/05	<table border="1"> <tr> <td>Date:</td> <td>Saturday, May 09, 2015</td> <td>Sheet</td> <td>31</td> <td>of</td> <td>59</td> </tr> </table>	Date:	Saturday, May 09, 2015	Sheet	31	of	59											
2013/08/05																					
Date:	Saturday, May 09, 2015	Sheet	31	of	59																
5	4	3	2	1																	

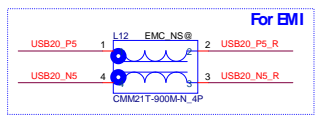
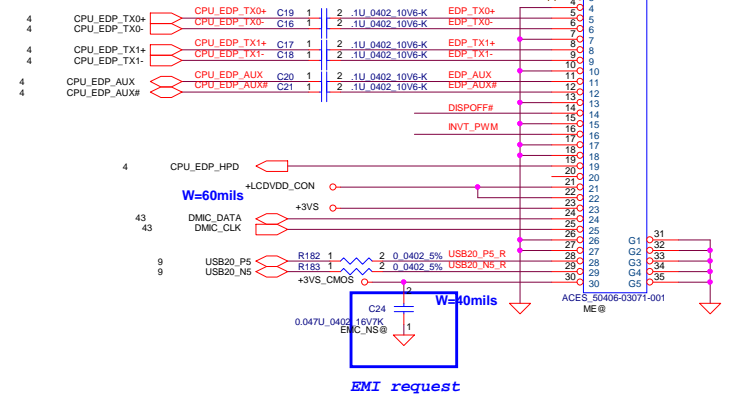
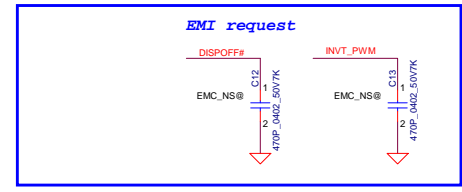
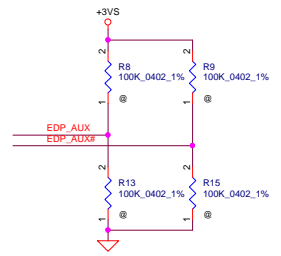
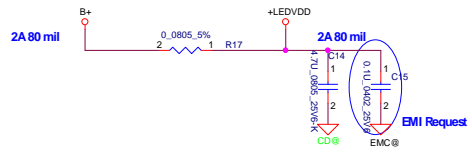
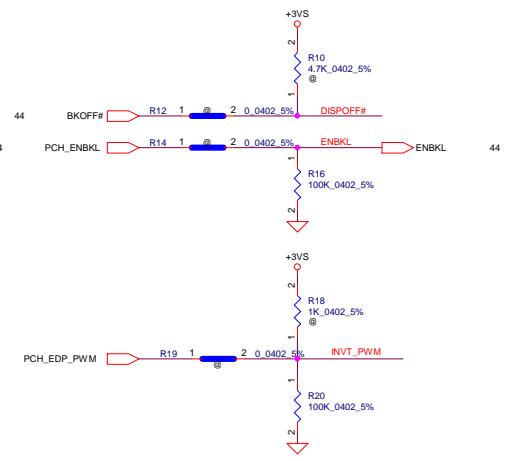
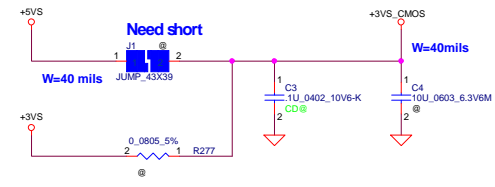


Security Classification		LC Future Center Secret Data		Title	
Issued Date		2015/02/27	Deciphered Date	2013/08/05	TPM
THIS SHEET OF ENGINEERING DRAWING IS THE PROPRIETARY PROPERTY OF LC FUTURE CENTER, AND CONTAINS CONFIDENTIAL AND TRADE SECRET INFORMATION. THIS SHEET MAY NOT BE TRANSFERRED FROM THE CUSTODY OF THE COMPETENT DIVISION OF R&D DEPARTMENT EXCEPT AS AUTHORIZED BY LC FUTURE CENTER NEITHER THIS SHEET NOR THE INFORMATION IT CONTAINS MAY BE USED BY OR DISCLOSED TO ANY THIRD PARTY WITHOUT PRIOR WRITTEN CONSENT OF LC FUTURE CENTER.					
Size	Document Number	CG510		Rev	0.2
Custom	Date:	Saturday, May 09, 2015	Sheet	32	of 59

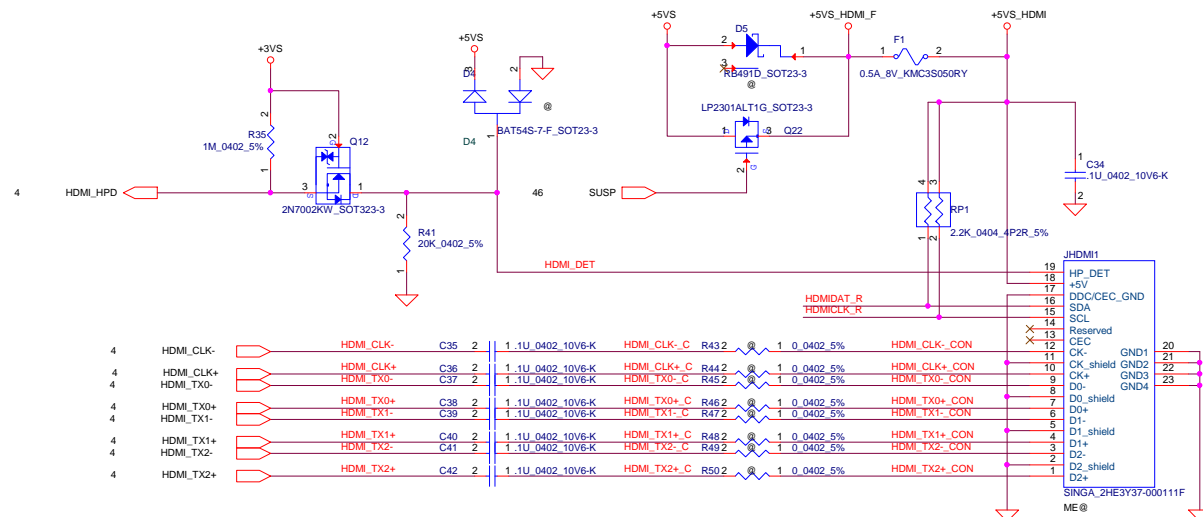
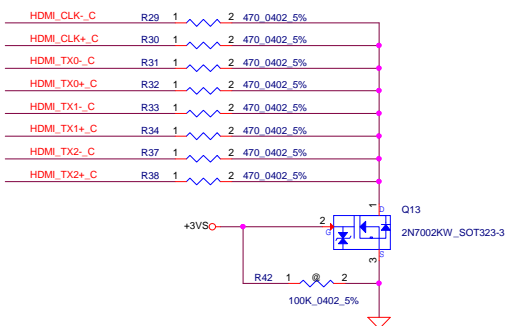
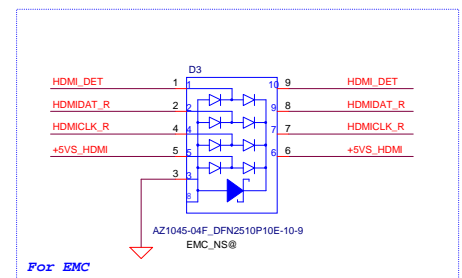
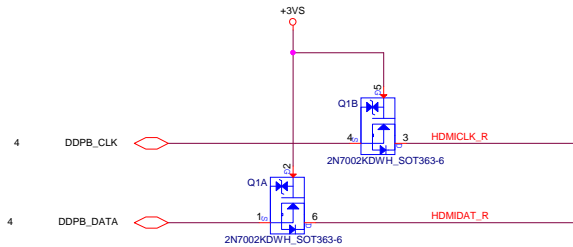
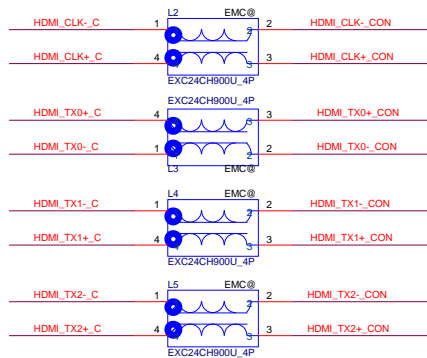
LCD POWER CIRCUIT



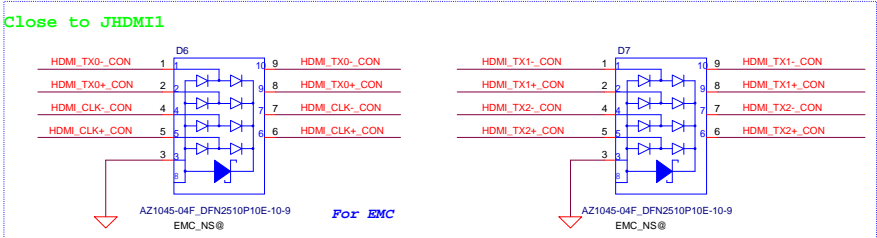
CMOS Camera



Security Classification		LC Future Center Secret Data		Title	
Issued Date		Deciphered Date		eDP/CMOS	
2015/02/27		2013/08/05		Customer	
THIS SHEET OF ENGINEERING DRAWING IS THE PROPRIETARY PROPERTY OF LC FUTURE CENTER AND CONTAINS CONFIDENTIAL AND TRADE SECRET INFORMATION. THIS SHEET MAY NOT BE TRANSFERRED FROM THE CUSTODY OF THE COMPETENT DIVISION OF RA				Document Number	Rev
DEPARTMENT EXCEPT AS AUTHORIZED BY LC FUTURE CENTER NEITHER THIS SHEET NOR THE INFORMATION IT CONTAINS MAY BE USED BY OR DISCLOSED TO ANY THIRD PARTY WITHOUT PRIOR WRITTEN CONSENT OF LC FUTURE CENTER.				CG510	0.2
				Date	Sheet
				Monday, May 11, 2015	33 of 59



4	HDMI_CLK-	HDMI_CLK-	C35	2	1.1U_0402_10V6-K	HDMI_CLK- C	R43	2	0	0.402_5%	HDMI_CLK-_CON
4	HDMI_CLK+	HDMI_CLK+	C36	2	1.1U_0402_10V6-K	HDMI_CLK+ C	R44	2	0	0.402_5%	HDMI_CLK+_CON
4	HDMI_TX0-	HDMI_TX0-	C37	2	1.1U_0402_10V6-K	HDMI_TX0- C	R45	2	0	0.402_5%	HDMI_TX0-_CON
4	HDMI_TX0+	HDMI_TX0+	C38	2	1.1U_0402_10V6-K	HDMI_TX0+ C	R46	2	0	0.402_5%	HDMI_TX0+_CON
4	HDMI_TX1-	HDMI_TX1-	C39	2	1.1U_0402_10V6-K	HDMI_TX1- C	R47	2	0	0.402_5%	HDMI_TX1-_CON
4	HDMI_TX1+	HDMI_TX1+	C40	2	1.1U_0402_10V6-K	HDMI_TX1+ C	R48	2	0	0.402_5%	HDMI_TX1+_CON
4	HDMI_TX2-	HDMI_TX2-	C41	2	1.1U_0402_10V6-K	HDMI_TX2- C	R49	2	0	0.402_5%	HDMI_TX2-_CON
4	HDMI_TX2+	HDMI_TX2+	C42	2	1.1U_0402_10V6-K	HDMI_TX2+ C	R50	2	0	0.402_5%	HDMI_TX2+_CON



Security Classification		LC Future Center Secret Data		Title	
Issued Date	2015/02/27	Deciphered Date	2013/08/05	HDMI_CONN	
THIS SHEET OF ENGINEERING DRAWING IS THE PROPRIETARY PROPERTY OF LC FUTURE CENTER, AND CONTAINS CONFIDENTIAL AND TRADE SECRET INFORMATION. THIS SHEET MAY NOT BE TRANSFERRED FROM THE CUSTODY OF THE COMPETENT DIVISION OF DEPARTMENT EXCEPT AS AUTHORIZED BY LC FUTURE CENTER NEITHER THIS SHEET NOR THE INFORMATION IT CONTAINS MAY BE USED BY OR DISCLOSED TO ANY THIRD PARTY WITHOUT PRIOR WRITTEN CONSENT OF LC FUTURE CENTER.					
Size	Custom	Document Number	CG510		Rev
Date:	Saturday, May 09, 2015	Sheet	34	of	59

5

4

3

2

1

D

D

C

C

B

B

A

A

Security Classification		LC Future Center Secret Data		Title	
Issued Date	2015/02/27	Deciphered Date	2013/08/05	Blank	
<small>THIS SHEET OF ENGINEERING DRAWING IS THE PROPRIETARY PROPERTY OF LC FUTURE CENTER, AND CONTAINS CONFIDENTIAL AND TRADE SECRET INFORMATION. THIS SHEET MAY NOT BE TRANSFERRED FROM THE CUSTODY OF THE COMPETENT DIVISION OF R&D DEPARTMENT EXCEPT AS AUTHORIZED BY LC FUTURE CENTER NEITHER THIS SHEET NOR THE INFORMATION IT CONTAINS MAY BE USED BY OR DISCLOSED TO ANY THIRD PARTY WITHOUT PRIOR WRITTEN CONSENT OF LC FUTURE CENTER.</small>				Size Custom	Document Number CG510 Date: Saturday, May 09, 2015
				Rev	0.2
				Sheet	35 of 59

3

2

1

5 4 3 2 1

D

D

C

C

B

B

A

A

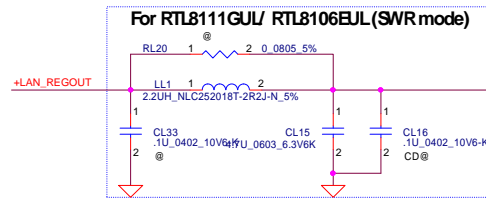
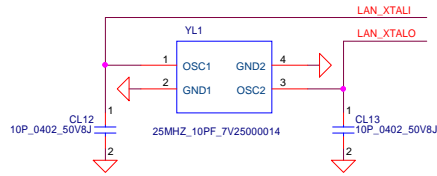
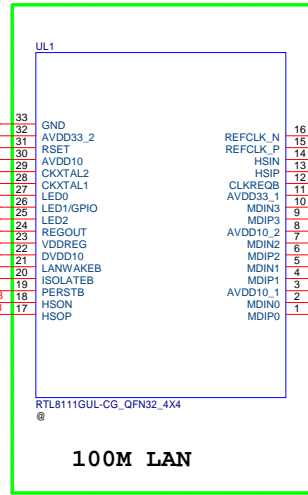
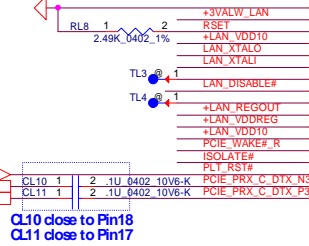
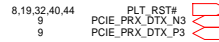
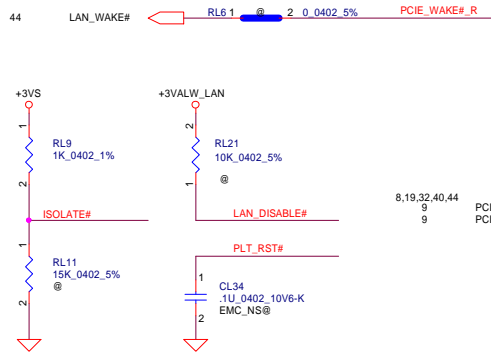
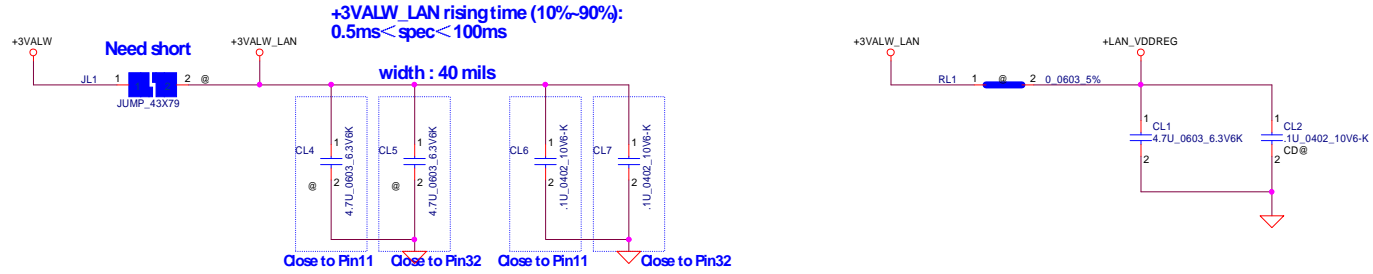
Security Classification		LC Future Center Secret Data		Title	
Issued Date	2015/02/27	Deciphered Date	2013/08/05	Blank	
<small>THIS SHEET OF ENGINEERING DRAWING IS THE PROPRIETARY PROPERTY OF LC FUTURE CENTER, AND CONTAINS CONFIDENTIAL AND TRADE SECRET INFORMATION. THIS SHEET MAY NOT BE TRANSFERRED FROM THE CUSTODY OF THE COMPETENT DIVISION OF DEPARTMENT EXCEPT AS AUTHORIZED BY LC FUTURE CENTER NEITHER THIS SHEET NOR THE INFORMATION IT CONTAINS MAY BE USED BY OR DISCLOSED TO ANY THIRD PARTY WITHOUT PRIOR WRITTEN CONSENT OF LC FUTURE CENTER.</small>				Size	Document Number
				Custom	CG510
				Date:	Saturday, May 09, 2015
				Sheet	36 of 59
				Rev 0.2	

3

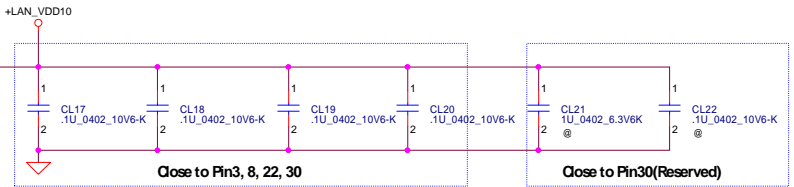
2

1

+3VALW TO +3VALW_LAN

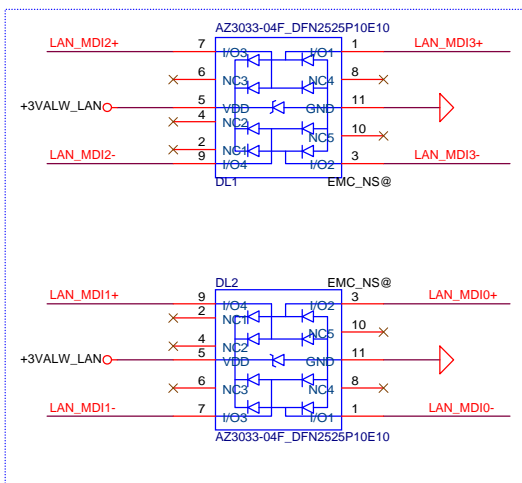


Layout Note: LL1 must be within 200mil to Pin24.
CL15, CL16 must be within 200mil to LL1
+LAN_REGOUT: Width =60mil

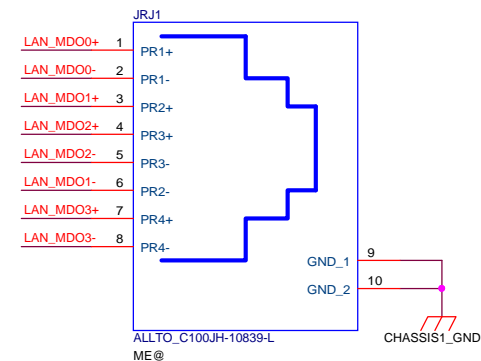
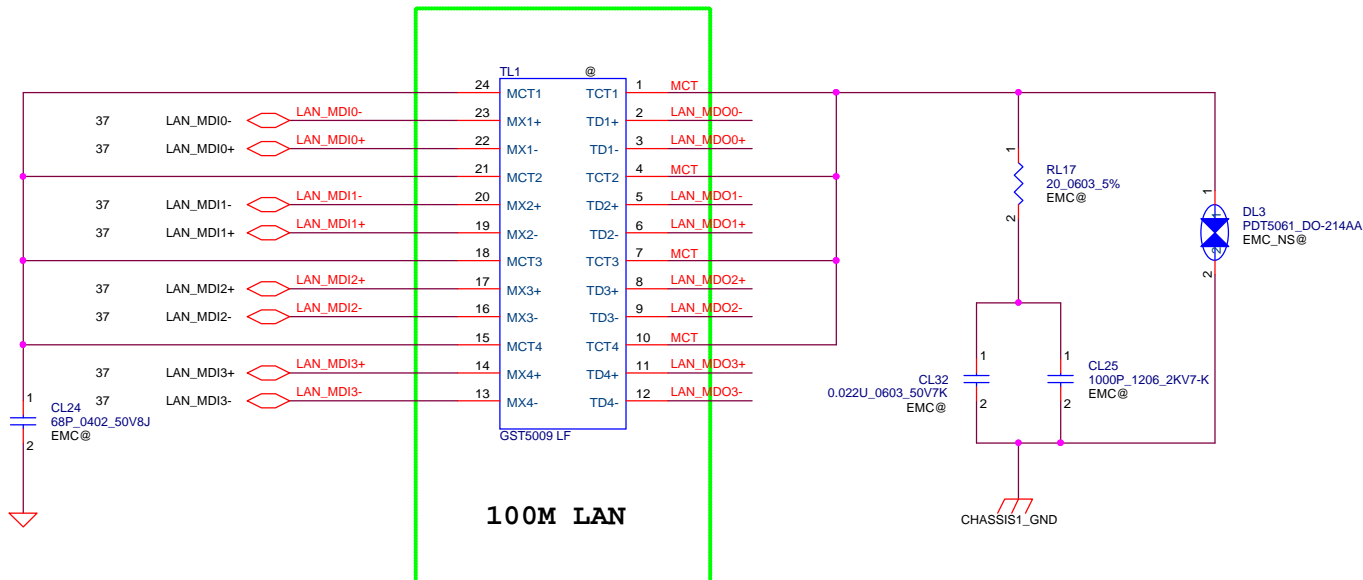
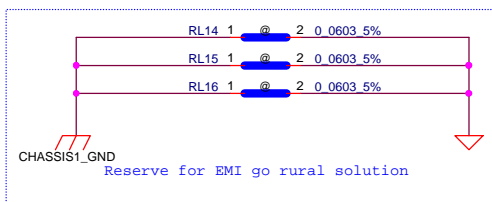


Security Classification	LC Future Center Secret Data		Title
Issued Date	2015/02/27	Deciphered Date	2013/08/05
THIS SHEET OF ENGINEERING DRAWING IS THE PROPRIETARY PROPERTY OF LC FUTURE CENTER, AND CONTAINS CONFIDENTIAL AND TRADE SECRET INFORMATION. THIS SHEET MAY NOT BE TRANSFERRED FROM THE CUSTODY OF THE COMPETENT DIVISION OF R&D DEPARTMENT EXCEPT AS AUTHORIZED BY LC FUTURE CENTER NEITHER THIS SHEET NOR THE INFORMATION IT CONTAINS MAY BE USED BY OR DISCLOSED TO ANY THIRD PARTY WITHOUT PRIOR WRITTEN CONSENT OF LC FUTURE CENTER.			
Size	Document Number	Rev	
Custom	CG510	0.2	
Date:	Thursday, May 14, 2015	Sheet	37 of 59

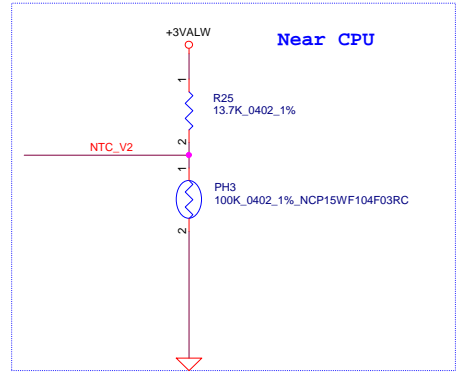
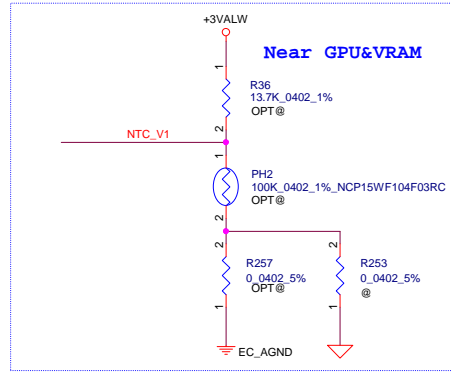
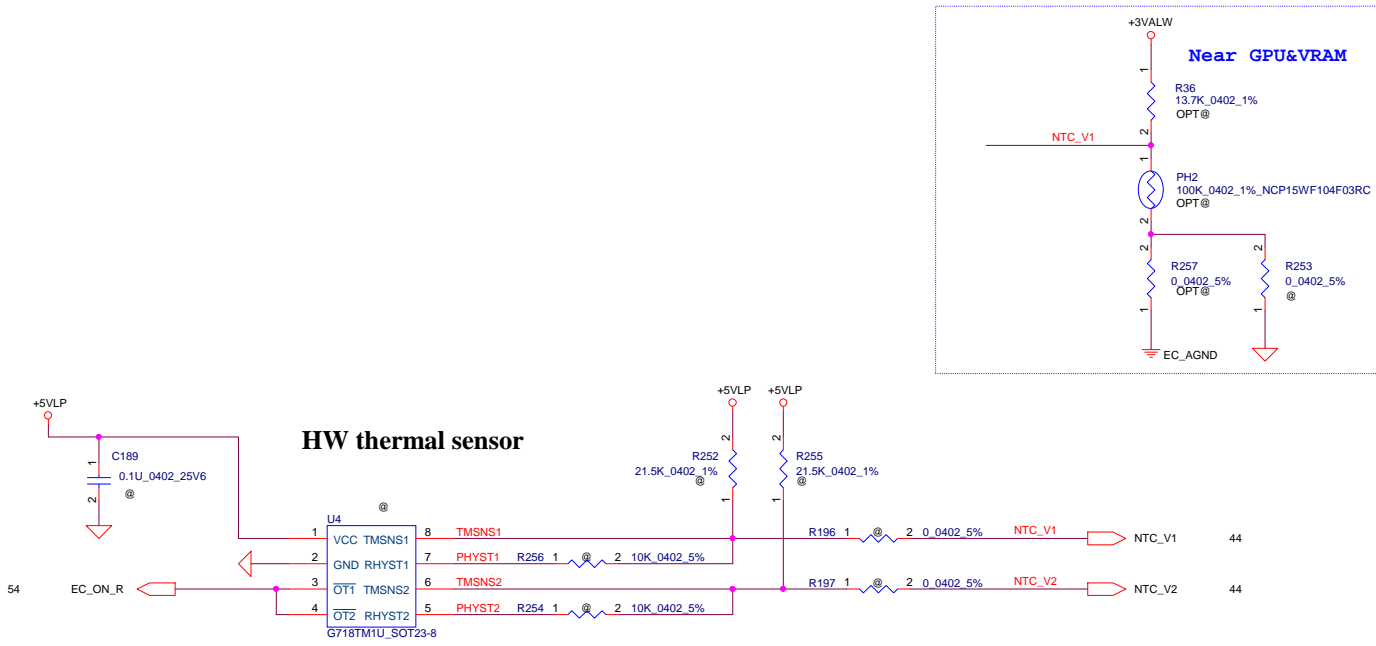
DL1/DL2
1'S PN:SC30003M00



Place Close to TL1



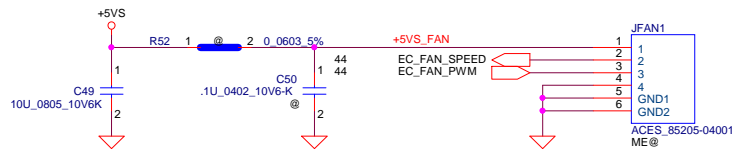
Security Classification	LC Future Center Secret Data		Title
Issued Date	2015/02/27	Deciphered Date	2013/08/05
THIS SHEET OF ENGINEERING DRAWING IS THE PROPRIETARY PROPERTY OF LC FUTURE CENTER, AND CONTAINS CONFIDENTIAL AND TRADE SECRET INFORMATION. THIS SHEET MAY NOT BE TRANSFERRED FROM THE CUSTODY OF THE COMPETENT DIVISION OF R&D DEPARTMENT EXCEPT AS AUTHORIZED BY LC FUTURE CENTER NEITHER THIS SHEET NOR THE INFORMATION IT CONTAINS MAY BE USED BY OR DISCLOSED TO ANY THIRD PARTY WITHOUT PRIOR WRITTEN CONSENT OF LC FUTURE CENTER.			
Size	Document Number	Rev	
	CG510	0.2	
Date:	Wednesday, May 13, 2015	Sheet	38 of 59



for layout optimized, change the EC_AGND to GND

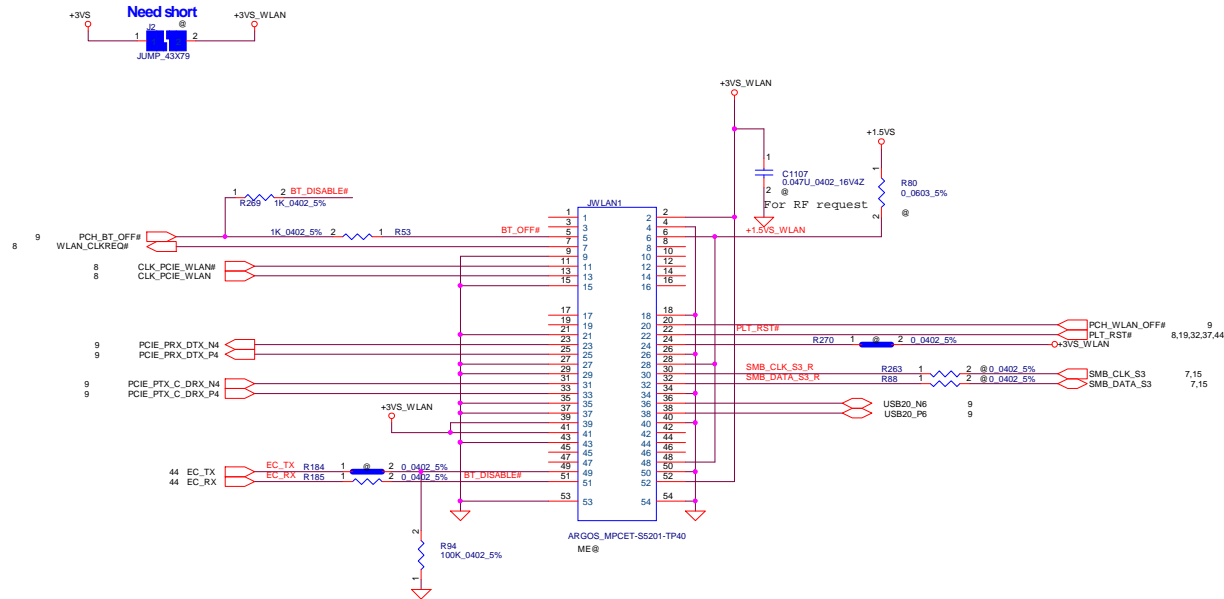
over temperature threshold:
 $RSET=3*RTMH$
 $92+/-30C$
 Hysteresis temperature threshold.
 $RHYST=(RSET*RTML)/(3*RTML-RSET)$
 $56+/-30C$

FAN Conn



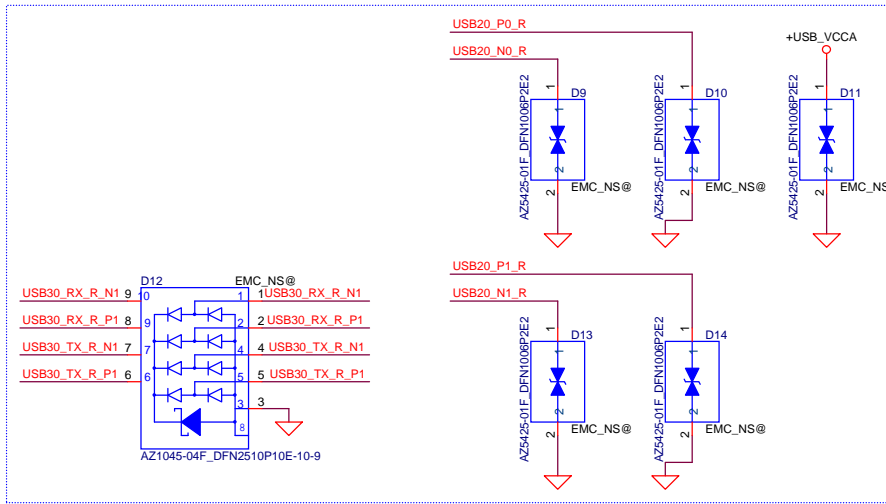
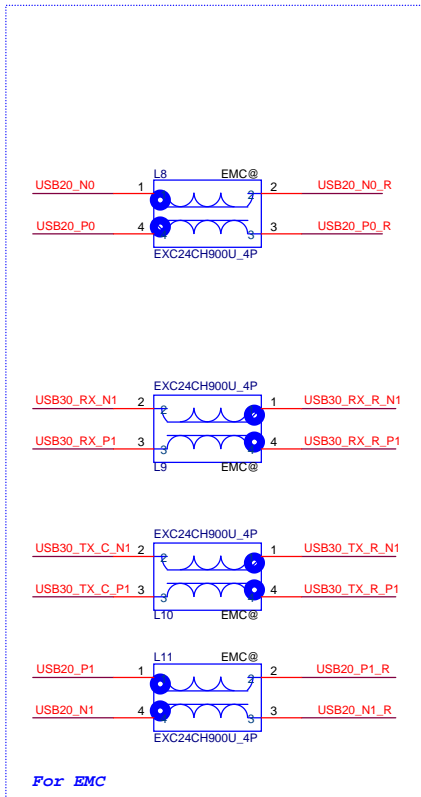
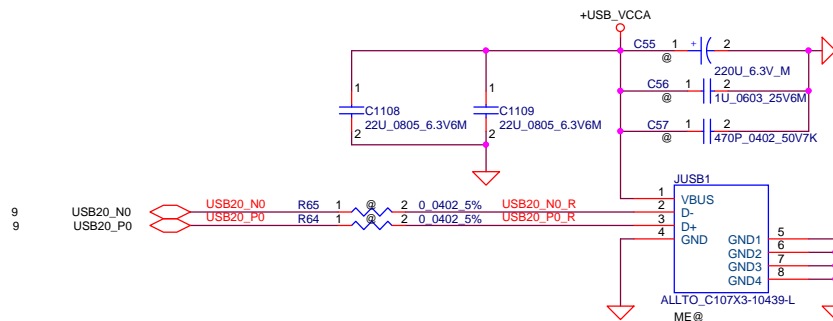
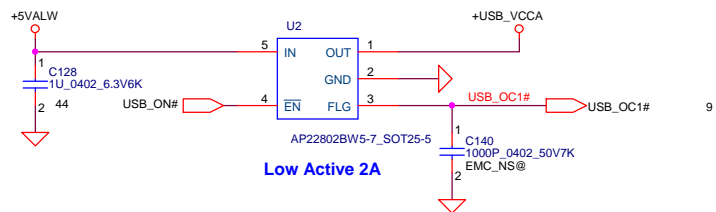
Security Classification	LC Future Center Secret Data		Title
Issued Date	2015/02/27	Deciphered Date	2013/08/05
THIS SHEET OF ENGINEERING DRAWING IS THE PROPRIETARY PROPERTY OF LC FUTURE CENTER, AND CONTAINS CONFIDENTIAL AND TRADE SECRET INFORMATION. THIS SHEET MAY NOT BE TRANSFERRED FROM THE CUSTODY OF THE COMPETENT DIVISION OF R&D DEPARTMENT EXCEPT AS AUTHORIZED BY LC FUTURE CENTER NEITHER THIS SHEET NOR THE INFORMATION IT CONTAINS MAY BE USED BY OR DISCLOSED TO ANY THIRD PARTY WITHOUT PRIOR WRITTEN CONSENT OF LC FUTURE CENTER.			Thermal sensor/FAN CONN Size: Custom Document Number: CG510 Rev: 0.2 Date: Saturday, May 09, 2015 Sheet 39 of 59

Mini-Express Card(WLAN/WiMAX)

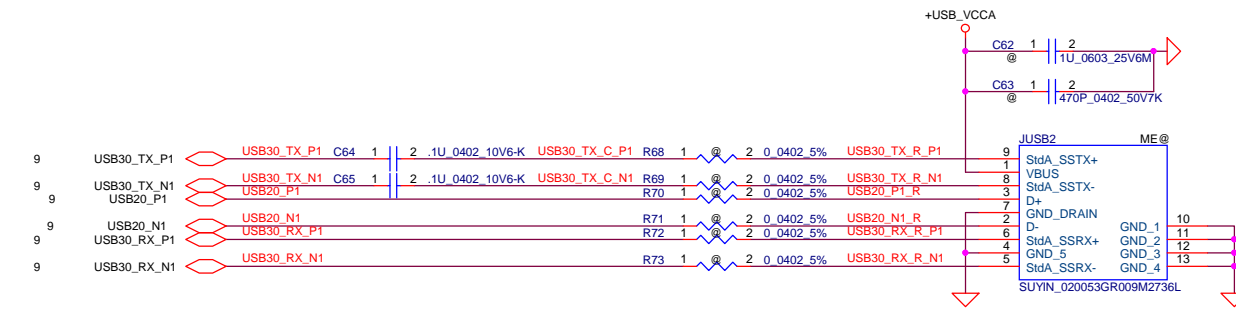


Security Classification		LC Future Center Secret Data		Title	
Issued Date	2015/02/27	Deciphered Date	2013/08/05	PCIe WLAN	
THIS SHEET OF ENGINEERING DRAWING IS THE PROPRIETARY PROPERTY OF LC FUTURE CENTER, AND CONTAINS CONFIDENTIAL AND TRADE SECRET INFORMATION. THIS SHEET MAY NOT BE TRANSFERRED FROM THE CUSTODY OF THE COMPETENT DIVISION OF DEPARTMENT EXCEPT AS AUTHORIZED BY LC FUTURE CENTER. NEITHER THIS SHEET NOR THE INFORMATION IT CONTAINS MAY BE USED BY OR DISCLOSED TO ANY THIRD PARTY WITHOUT PRIOR WRITTEN CONSENT OF LC FUTURE CENTER.				Sign Custom	Rev 0.2
Date:	Saturday, May 09, 2015	Sheet:	40	of	59

LEFT SIDE USB PORT X2

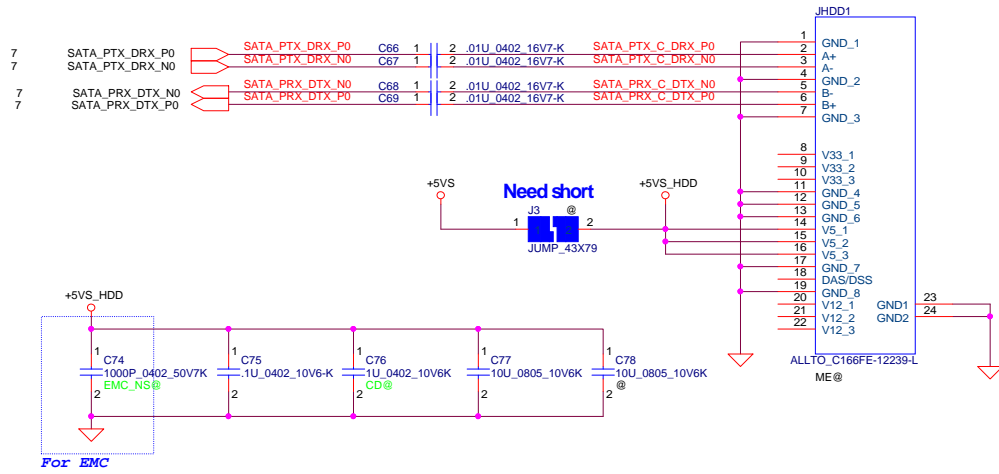


For EMC

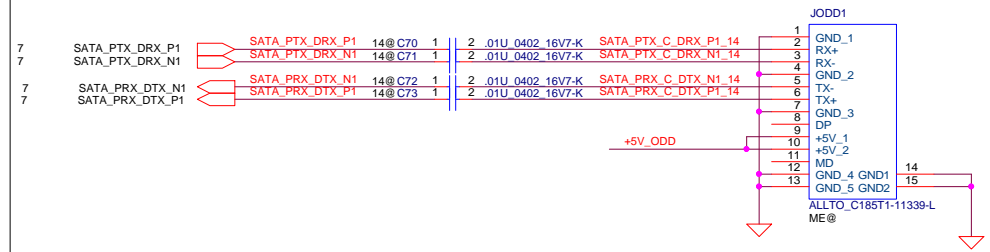


Security Classification	LC Future Center Secret Data		Title
Issued Date	2015/02/27	Deciphered Date	2013/08/05
THIS SHEET OF ENGINEERING DRAWING IS THE PROPRIETARY PROPERTY OF LC FUTURE CENTER, AND CONTAINS CONFIDENTIAL AND TRADE SECRET INFORMATION. THIS SHEET MAY NOT BE TRANSFERRED FROM THE CUSTODY OF THE COMPETENT DIVISION OF R&D DEPARTMENT EXCEPT AS AUTHORIZED BY LC FUTURE CENTER NEITHER THIS SHEET NOR THE INFORMATION IT CONTAINS MAY BE USED BY OR DISCLOSED TO ANY THIRD PARTY WITHOUT PRIOR WRITTEN CONSENT OF LC FUTURE CENTER.			Size: Custom Document Number: CG510 Date: Saturday, May 09, 2015
			Rev: 0.2
			Sheet 41 of 59

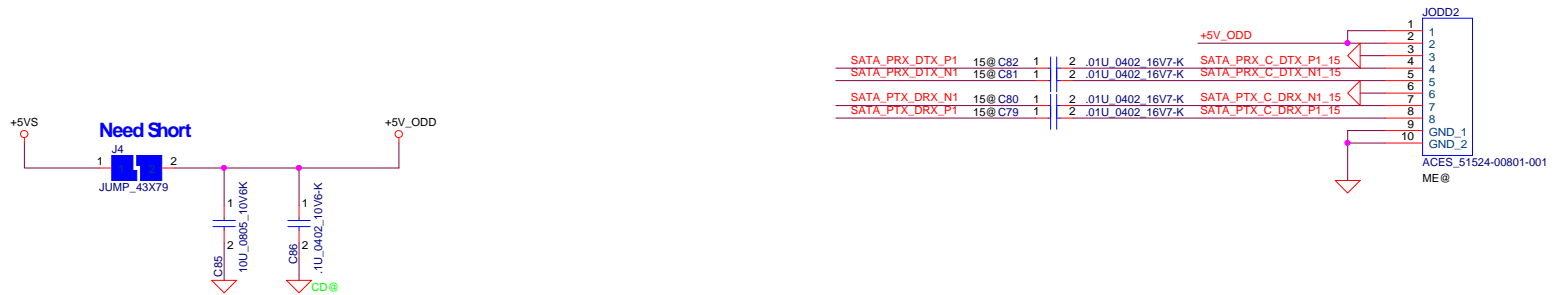
SATA HDD Conn.



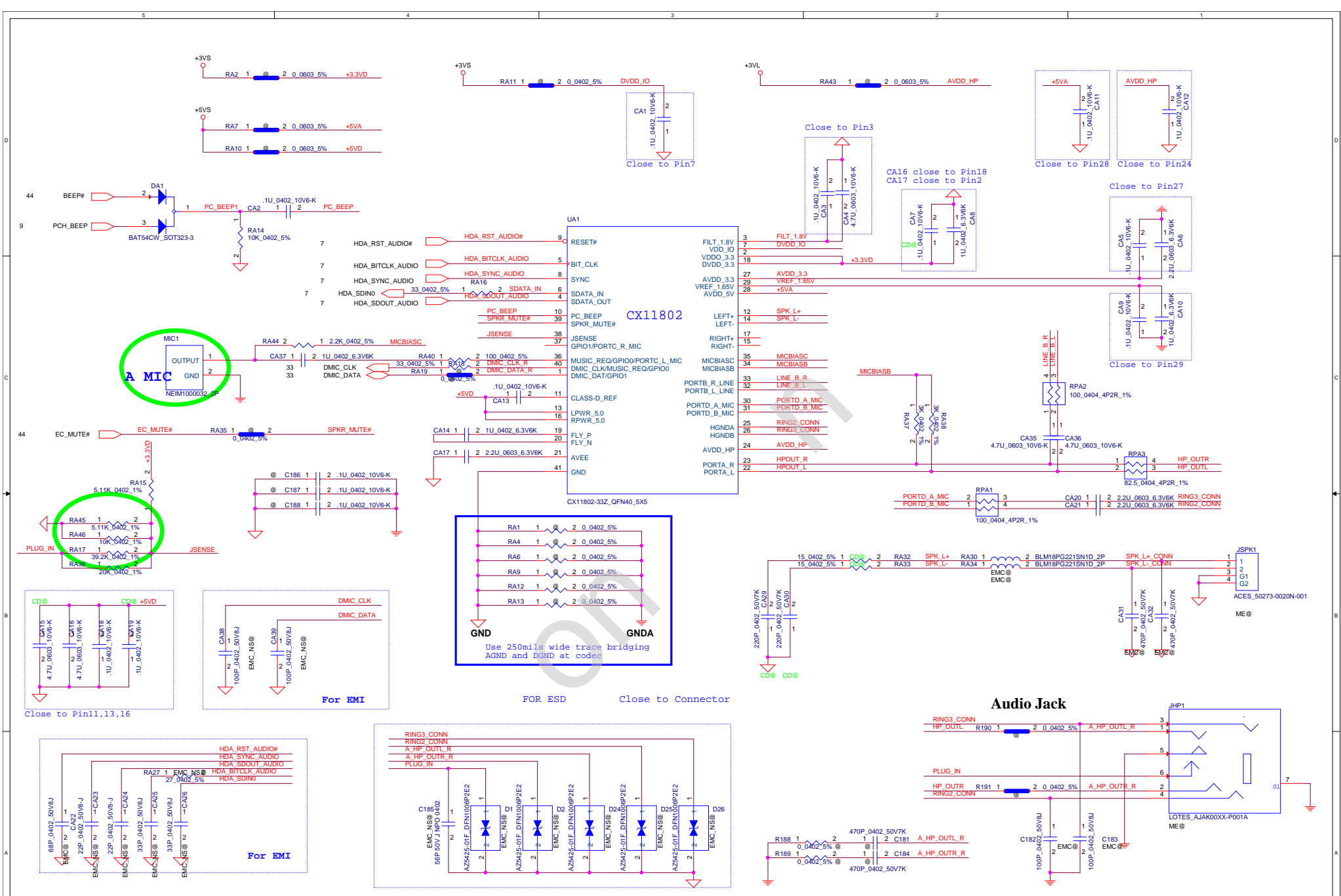
FOR 14" SATA ODD Conn.



FOR 15" SATA ODD FFC Conn

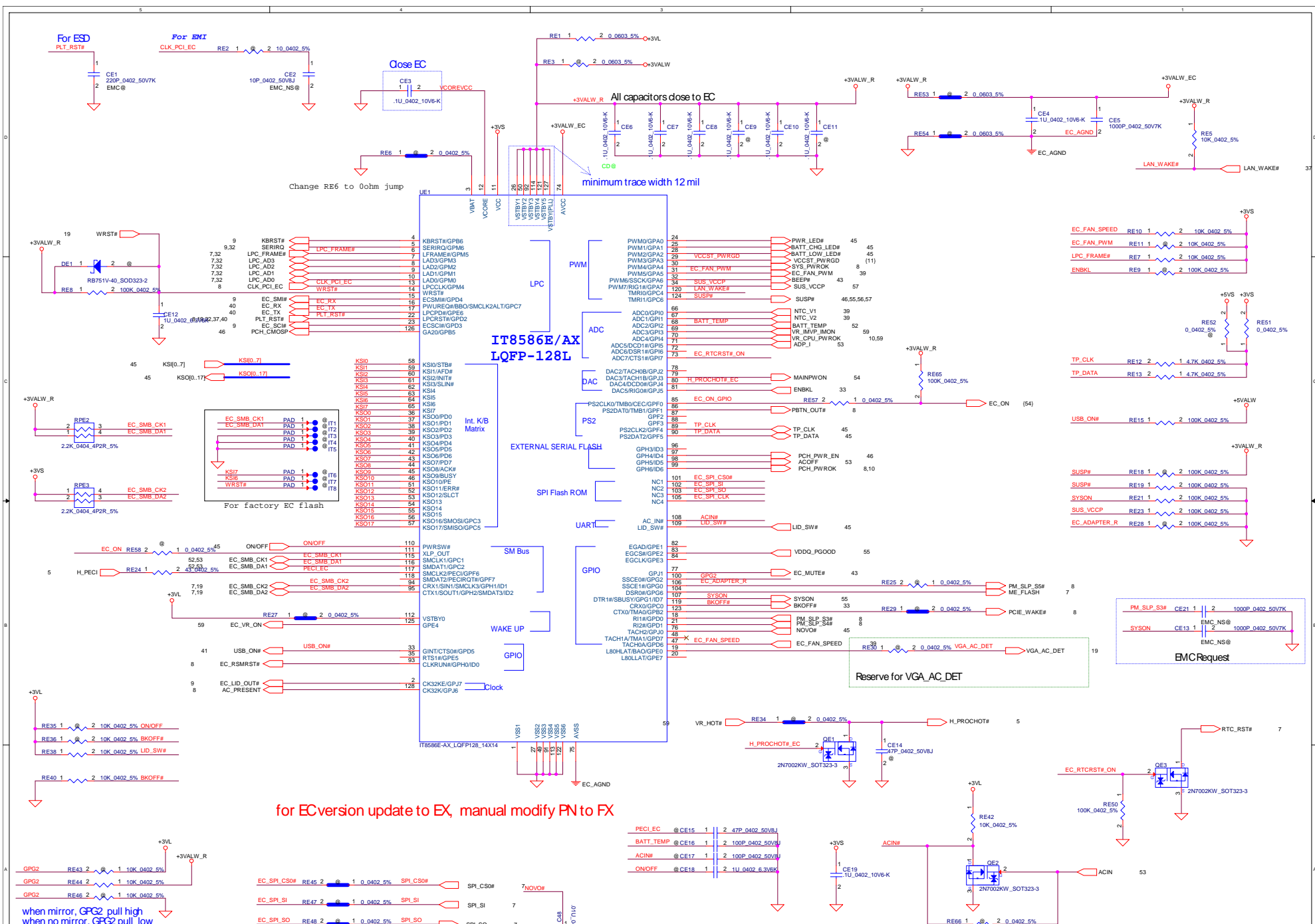


Security Classification		LC Future Center Secret Data		Title	
Issued Date		2015/02/27	Deciphered Date	2013/08/05	HDD/ODD CONN
THIS SHEET OF ENGINEERING DRAWING IS THE PROPRIETARY PROPERTY OF LC FUTURE CENTER, AND CONTAINS CONFIDENTIAL AND TRADE SECRET INFORMATION. THIS SHEET MAY NOT BE TRANSFERRED FROM THE CUSTODY OF THE COMPETENT DIVISION OF R&D DEPARTMENT EXCEPT AS AUTHORIZED BY LC FUTURE CENTER NEITHER THIS SHEET NOR THE INFORMATION IT CONTAINS MAY BE USED BY OR DISCLOSED TO ANY THIRD PARTY WITHOUT PRIOR WRITTEN CONSENT OF LC FUTURE CENTER.					
Size	Document Number	Rev		Date:	
Custom	CG510	0.2		Saturday, May 09, 2015	
		Sheet		42 of 59	



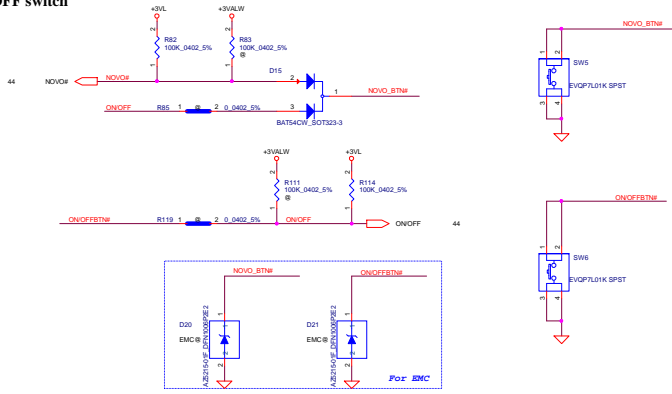
Security Classification		LC Future Center Secret Data	
Issued Date	2015/02/27	Deciphered Date	2013/08/05
THIS SHEET OF ENGINEERING DRAWING IS THE PROPRIETARY PROPERTY OF LC FUTURE CENTER, AND CONTAINS CONFIDENTIAL AND TRADE SECRET INFORMATION. THIS SHEET MAY NOT BE TRANSFERRED FROM THE CUSTODY OF THE COMPETENT DIVISION OF DEPARTMENT EXCEPT AS AUTHORIZED BY LC FUTURE CENTER NEITHER THIS SHEET NOR THE INFORMATION IT CONTAINS MAY BE USED BY OR DISCLOSED TO ANY THIRD PARTY WITHOUT PRIOR WRITTEN CONSENT OF LC FUTURE CENTER.			

Title	
Codec_CX11802	
Size	Document Number
Custom	CG510
Date:	Wednesday, May 13, 2015
Sheet	43 of 59



Security Classification		LC Future Center Secret Data		Title
Issued Date	2015/02/27	Deciphered Date	2013/08/05	EC ITE8586LQFP
THIS SHEET OF ENGINEERING DRAWING IS THE PROPRIETARY PROPERTY OF LC FUTURE CENTER, AND CONTAINS CONFIDENTIAL AND TRADE SECRET INFORMATION. THIS SHEET MAY NOT BE TRANSFERRED FROM THE CUSTODY OF THE COMPETENT DIVISION OF DEPARTMENT EXCEPT AS AUTHORIZED BY LC FUTURE CENTER. NEITHER THIS SHEET NOR THE INFORMATION IT CONTAINS MAY BE USED BY OR DISCLOSED TO ANY THIRD PARTY WITHOUT PRIOR WRITTEN CONSENT OF LC FUTURE CENTER.				
Doc No	CG510	Rev	02	
Date	Saturday, May 01, 2015	Sheet	44	of 59

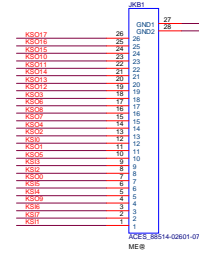
ON/OFF switch



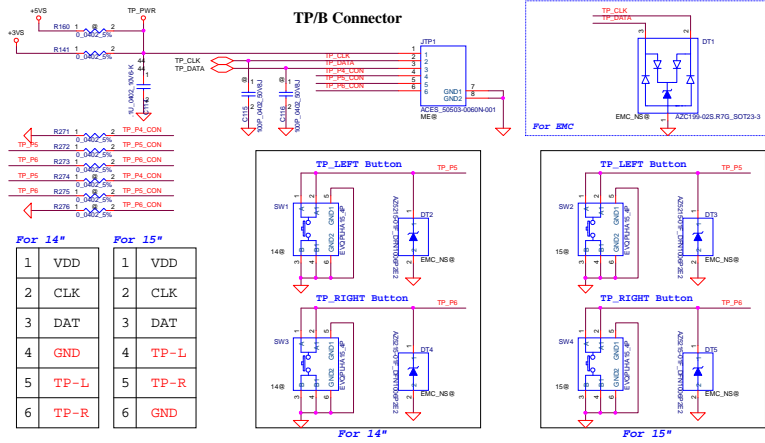
K/B Connector



15"

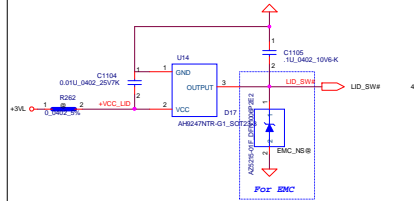


TP/B Connector

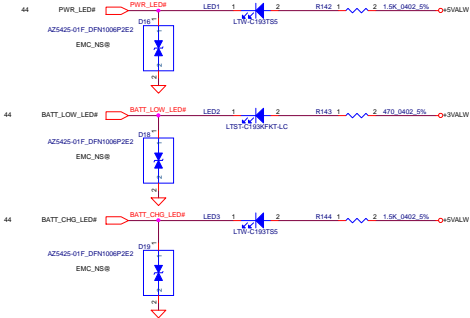


For 14"		For 15"	
1	VDD	1	VDD
2	CLK	2	CLK
3	DAT	3	DAT
4	GND	4	TP-L
5	TP-L	5	TP-R
6	TP-R	6	GND

Hall Sensor



LED



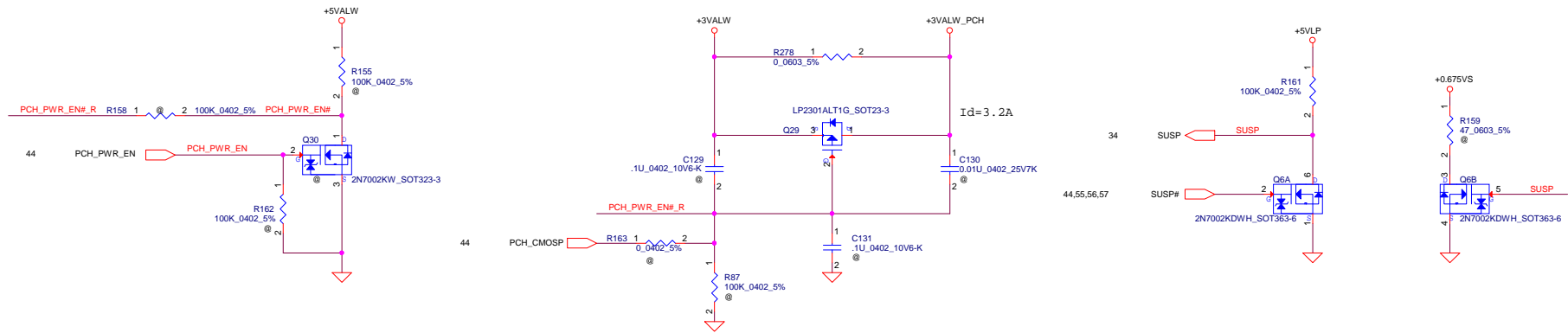
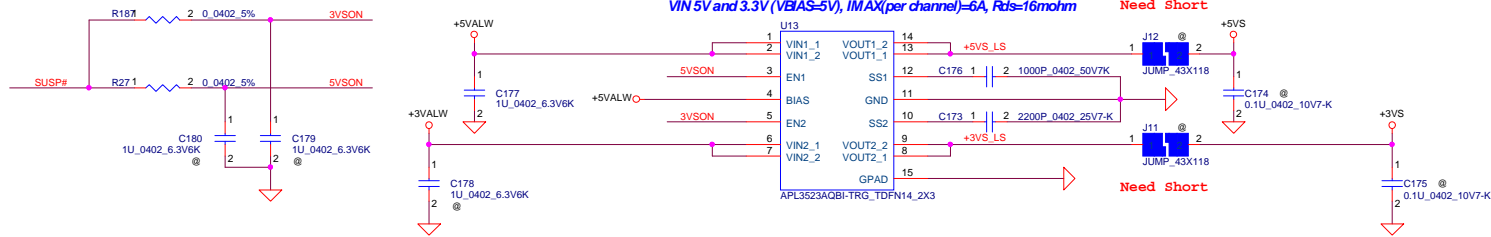
Security Classification	LC Future Center Secret Data		Title
Issued Date	2015/02/27	Deciphered Date	2013/06/05
THIS SHEET OF ENGINEERING DRAWING IS THE PROPRIETARY PROPERTY OF LC FUTURE CENTER, AND CONTAINS CONFIDENTIAL AND TRADE SECRET INFORMATION. THIS SHEET MAY NOT BE TRANSFERRED FROM THE CUSTODY OF THE COMPETENT DIVISION OF R&D DEPARTMENT EXCEPT AS AUTHORIZED BY LC FUTURE CENTER. NEITHER THIS SHEET NOR THE INFORMATION IT CONTAINS MAY BE USED BY OR DISCLOSED TO ANY THIRD PARTY WITHOUT PRIOR WRITTEN CONSENT OF LC FUTURE CENTER.			KBD/PWR/O/LED/TP Conn. Doc Number CG510 Date: Wednesday, May 13, 2015 10:08:45 AM Page 45 of 39
Size	Document Number	Rev	02

Load Switch
+5VALW To +5VS
+3VALW To +3VS

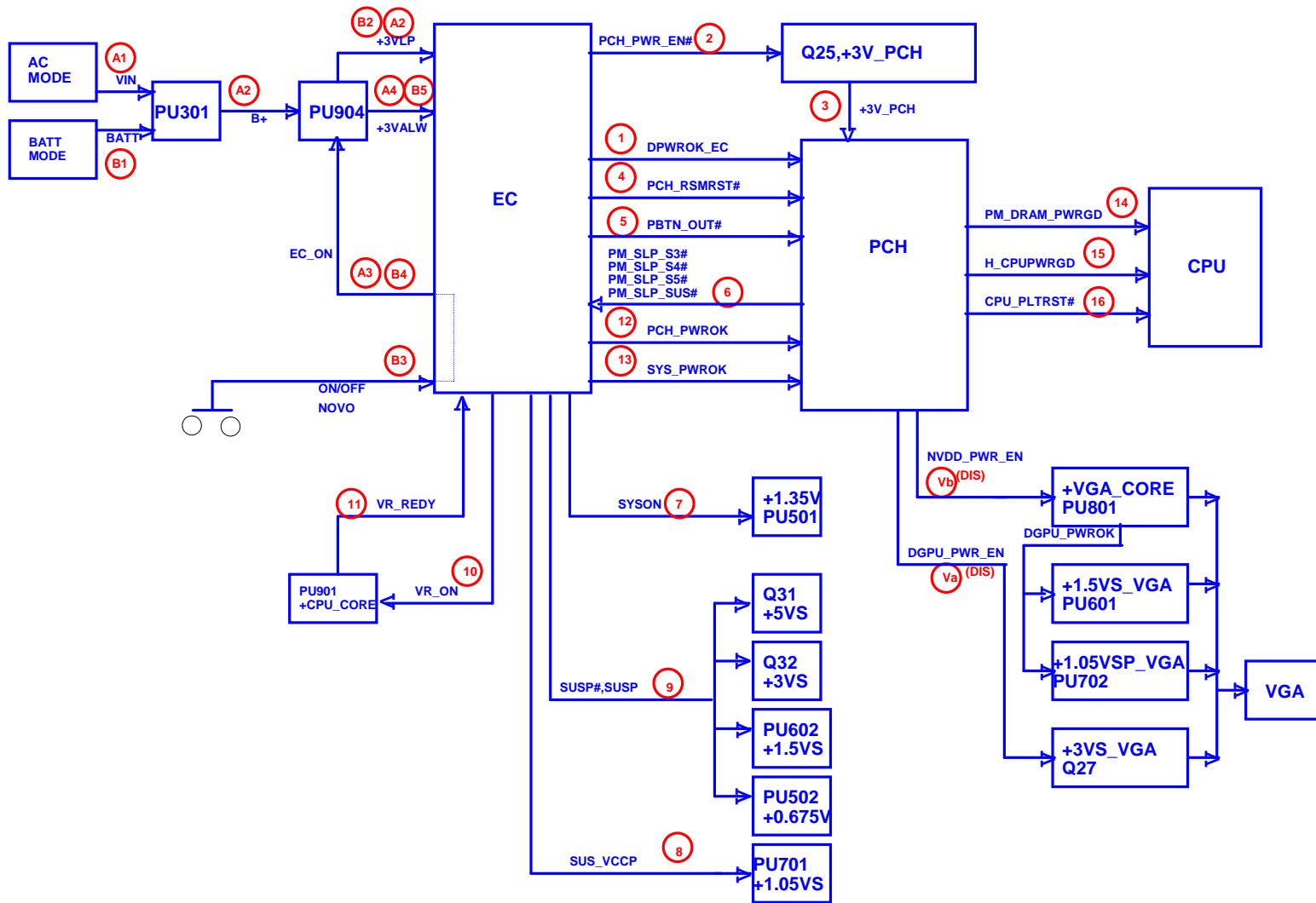
+3VS C173 --> 2.74ms
+5VS C176 --> 2.03ms

VIN 5V and 3.3V (VBIAS=5V), I_{MAX}(per channel)=6A, R_{DS}=16mohm

Need Short



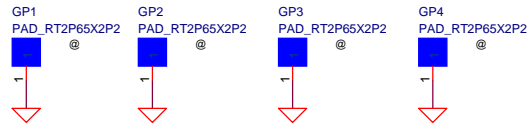
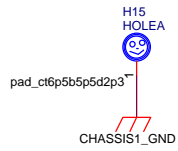
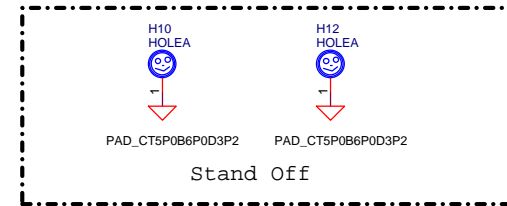
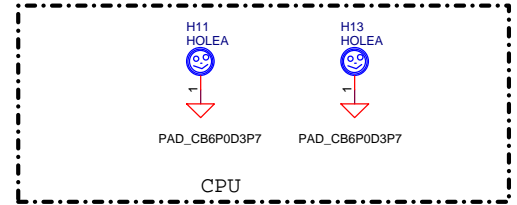
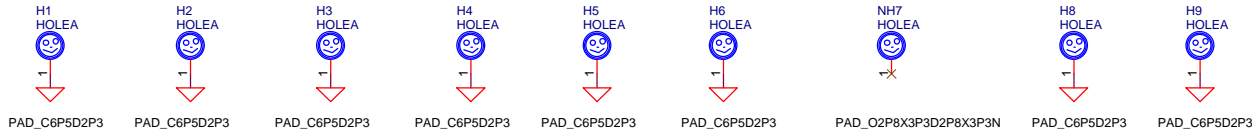
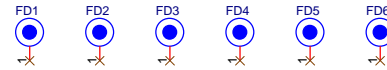
Security Classification	LC Future Center Secret Data		Title
Issued Date	2015/02/27	Deciphered Date	2013/08/05
THIS SHEET OF ENGINEERING DRAWING IS THE PROPRIETARY PROPERTY OF LC FUTURE CENTER, AND CONTAINS CONFIDENTIAL AND TRADE SECRET INFORMATION. THIS SHEET MAY NOT BE TRANSFERRED FROM THE CUSTODY OF THE COMPETENT DIVISION OF R&D DEPARTMENT EXCEPT AS AUTHORIZED BY LC FUTURE CENTER. NEITHER THIS SHEET NOR THE INFORMATION IT CONTAINS MAY BE USED BY OR DISCLOSED TO ANY THIRD PARTY WITHOUT PRIOR WRITTEN CONSENT OF LC FUTURE CENTER.			Document Number Custom CG510
Date:	Thursday, May 14, 2015	Sheet	46 of 59



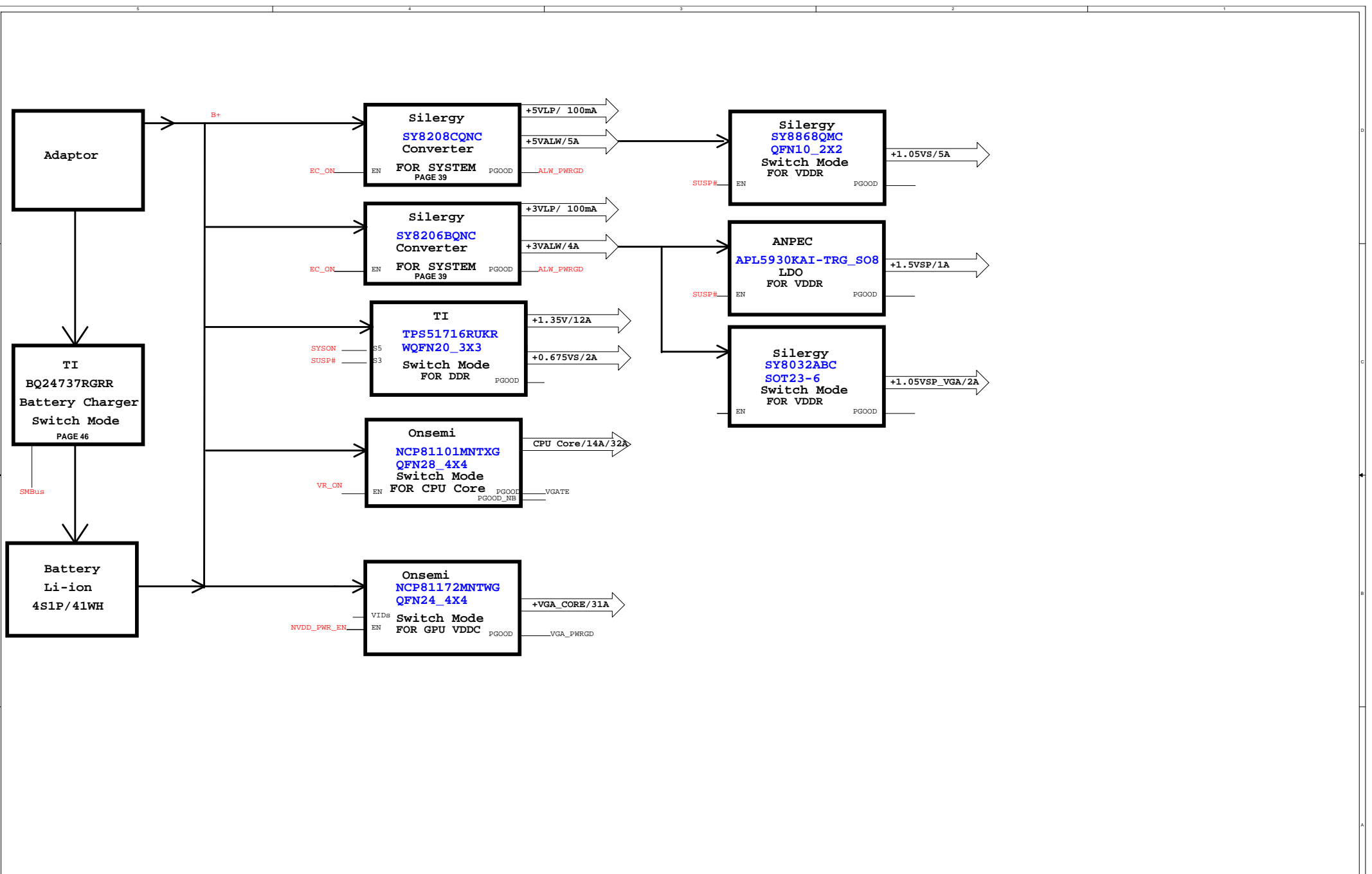
Security Classification	LC Future Center Secret Data		Title
Issued Date	2015/02/27	Deciphered Date	2013/08/05
<small>THIS SHEET OF ENGINEERING DRAWING IS THE PROPRIETARY PROPERTY OF LC FUTURE CENTER, AND CONTAINS CONFIDENTIAL AND TRADE SECRET INFORMATION. THIS SHEET MAY NOT BE TRANSFERRED FROM THE CUSTODY OF THE COMPETENT DIVISION OF DEPARTMENT EXCEPT AS AUTHORIZED BY LC FUTURE CENTER NEITHER THIS SHEET NOR THE INFORMATION IT CONTAINS MAY BE USED BY OR DISCLOSED TO ANY THIRD PARTY WITHOUT PRIOR WRITTEN CONSENT OF LC FUTURE CENTER.</small>			Size: Custom Document Number: CG510 Date: Saturday, May 09, 2015
			Rev: 0.2
			Sheet 47 of 59

Security Classification		LC Future Center Secret Data		Title	
Issued Date	2015/02/27	Deciphered Date	2013/08/05	Virtual symbol	
THIS SHEET OF ENGINEERING DRAWING IS THE PROPRIETARY PROPERTY OF LC FUTURE CENTER, AND CONTAINS CONFIDENTIAL AND TRADE SECRET INFORMATION. THIS SHEET MAY NOT BE TRANSFERRED FROM THE CUSTODY OF THE COMPETENT DIVISION OF R&D DEPARTMENT EXCEPT AS AUTHORIZED BY LC FUTURE CENTER. NEITHER THIS SHEET NOR THE INFORMATION IT CONTAINS MAY BE USED BY OR DISCLOSED TO ANY THIRD PARTY WITHOUT PRIOR WRITTEN CONSENT OF LC FUTURE CENTER.				Size	Document Number
				Custom	CG510
				Date:	Friday, May 15, 2015
				Sheet	48 of 59
				Rev	0.1

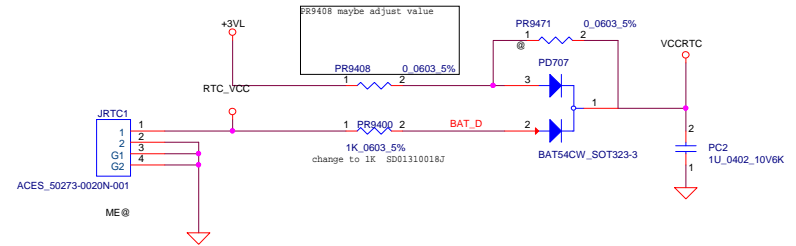
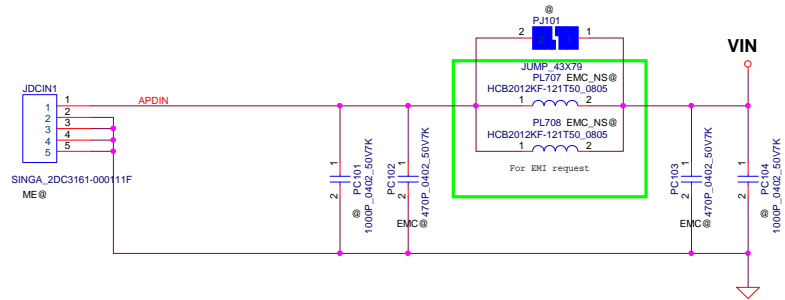
PCB Federal Mark PAD



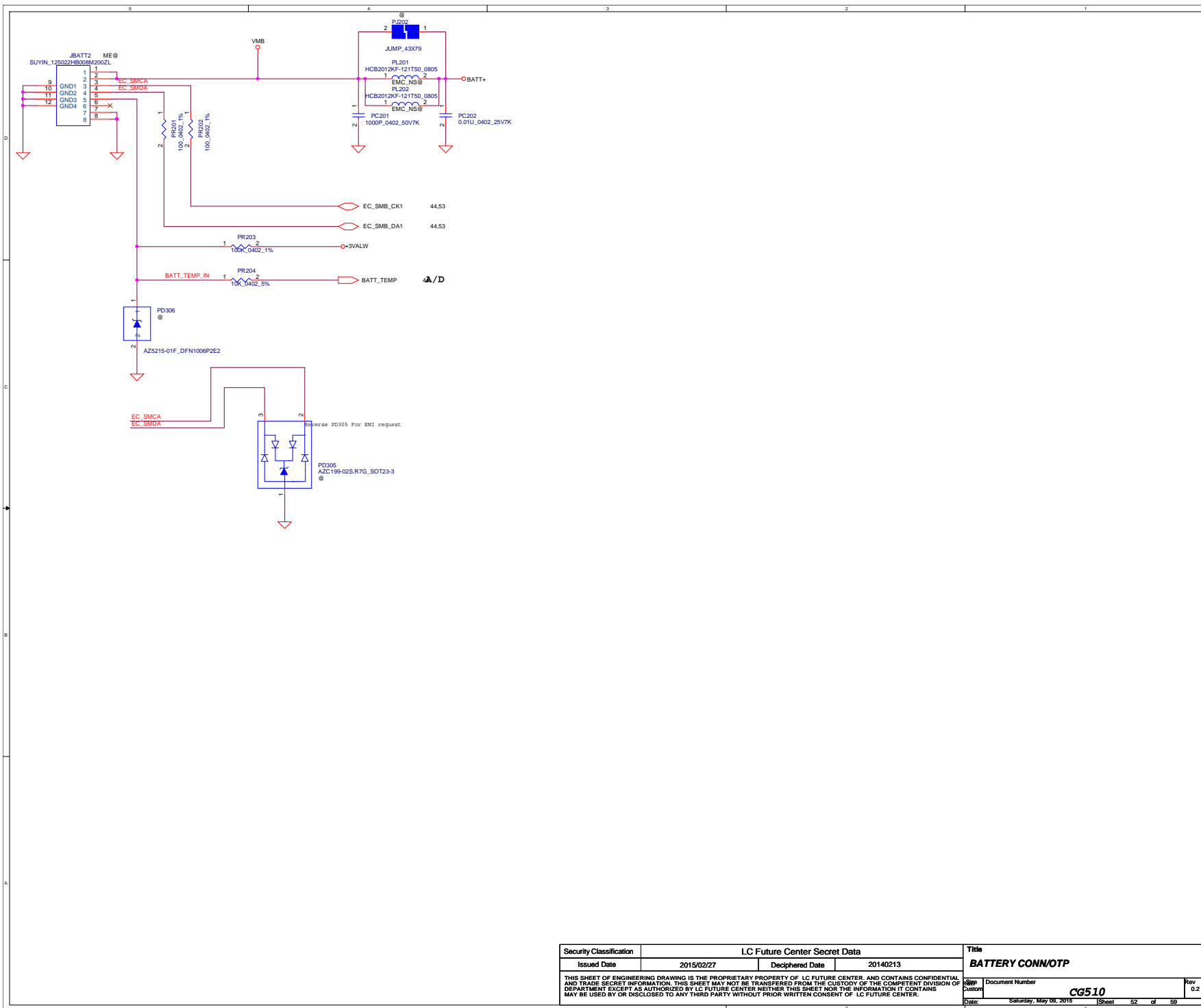
Security Classification		LC Future Center Secret Data		Title	
Issued Date		2015/02/27	Deciphered Date	2013/08/05	Hole
THIS SHEET OF ENGINEERING DRAWING IS THE PROPRIETARY PROPERTY OF LC FUTURE CENTER, AND CONTAINS CONFIDENTIAL AND TRADE SECRET INFORMATION. THIS SHEET MAY NOT BE TRANSFERRED FROM THE CUSTODY OF THE COMPETENT DIVISION OF R&D DEPARTMENT EXCEPT AS AUTHORIZED BY LC FUTURE CENTER NEITHER THIS SHEET NOR THE INFORMATION IT CONTAINS MAY BE USED BY OR DISCLOSED TO ANY THIRD PARTY WITHOUT PRIOR WRITTEN CONSENT OF LC FUTURE CENTER.					
Size	Document Number			Rev	
B	CG510			0.2	
Date:	Saturday, May 09, 2015		Sheet	49	of 59



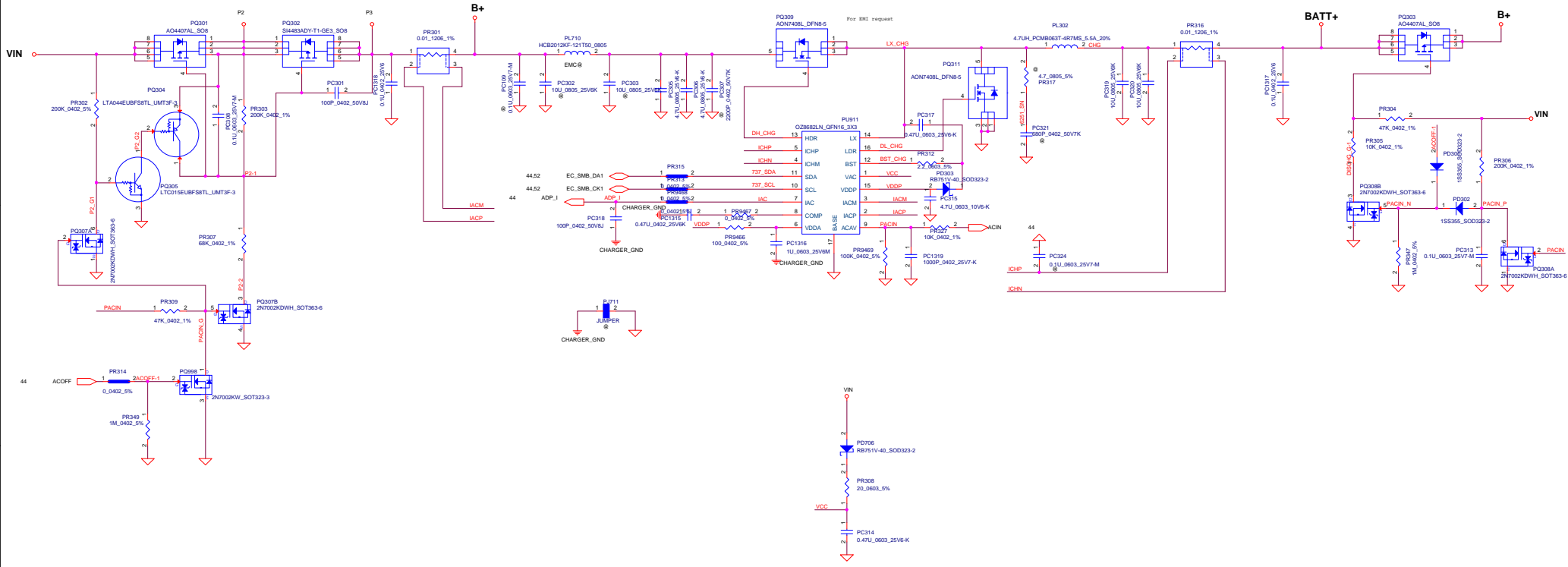
Security Classification	LC Future Center Secret Data		Title
Issued Date	2015/02/27	Deciphered Date	20140213
THIS SHEET OF ENGINEERING DRAWING IS THE PROPRIETARY PROPERTY OF LC FUTURE CENTER, AND CONTAINS CONFIDENTIAL AND TRADE SECRET INFORMATION. THIS SHEET MAY NOT BE TRANSFERRED FROM THE CUSTODY OF THE COMPETENT DIVISION DEPARTMENT EXCEPT AS AUTHORIZED BY LC FUTURE CENTER. NEITHER THIS SHEET NOR THE INFORMATION IT CONTAINS MAY BE USED BY OR DISCLOSED TO ANY THIRD PARTY WITHOUT PRIOR WRITTEN CONSENT OF LC FUTURE CENTER.			Power Diagram Document Number: CG510 Date: Saturday, May 08, 2015 Sheet 50 of 59
Rev	0.2		



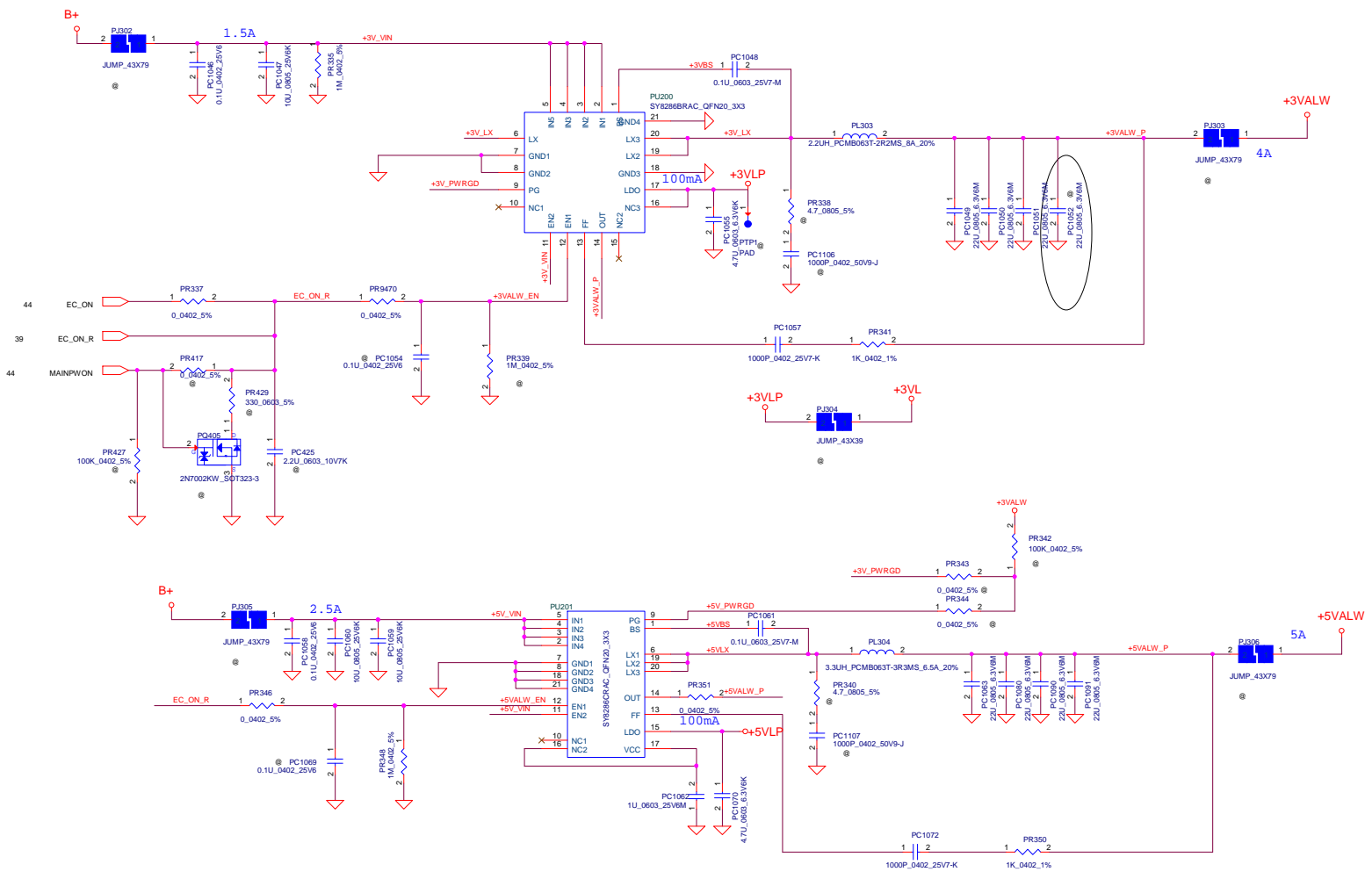
Security Classification	LC Future Center Secret Data		Title
Issued Date	2015/02/27	Deciphered Date	20140213
THIS SHEET OF ENGINEERING DRAWING IS THE PROPRIETARY PROPERTY OF LC FUTURE CENTER, AND CONTAINS CONFIDENTIAL AND TRADE SECRET INFORMATION. THIS SHEET MAY NOT BE TRANSFERRED FROM THE CUSTODY OF THE COMPETENT DIVISION OF DEPARTMENT EXCEPT AS AUTHORIZED BY LC FUTURE CENTER NEITHER THIS SHEET NOR THE INFORMATION IT CONTAINS MAY BE USED BY OR DISCLOSED TO ANY THIRD PARTY WITHOUT PRIOR WRITTEN CONSENT OF LC FUTURE CENTER.			Size Custom Document Number CG510 Date: Saturday, May 09, 2015
			Rev 0.2
			Sheet 51 of 59



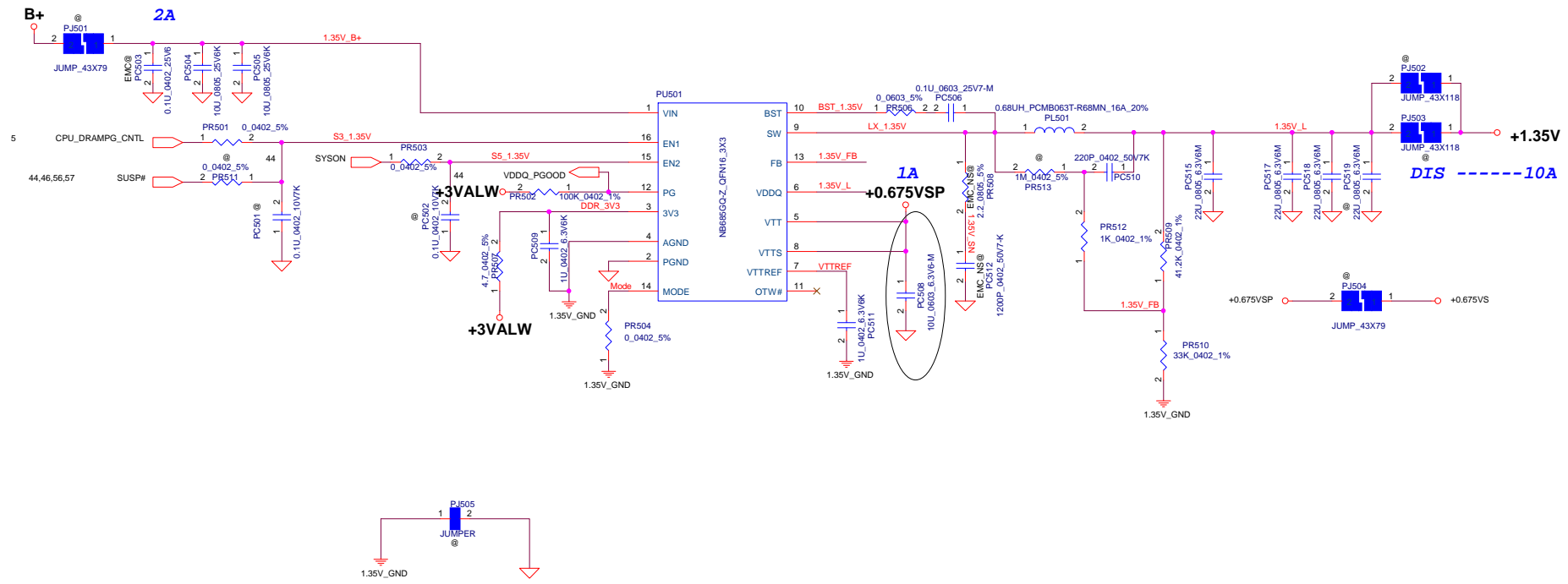
Security Classification		LC Future Center Secret Data		Title	
Issued Date	2015/02/27	Deciphered Date	20140213	BATTERY CONNOTP	
THIS SHEET OF ENGINEERING DRAWING IS THE PROPRIETARY PROPERTY OF LC FUTURE CENTER, AND CONTAINS CONFIDENTIAL AND TRADE SECRET INFORMATION. THIS SHEET MAY NOT BE TRANSFERRED FROM THE CUSTODY OF THE COMPETENT DIVISION OF DEPARTMENT EXCEPT AS AUTHORIZED BY LC FUTURE CENTER NEITHER THIS SHEET NOR THE INFORMATION IT CONTAINS MAY BE USED BY OR DISCLOSED TO ANY THIRD PARTY WITHOUT PRIOR WRITTEN CONSENT OF LC FUTURE CENTER.					
Size	Document Number	CG510		Rev	0.2
Date:	Saturday, May 06, 2016	Sheet	52	of	59



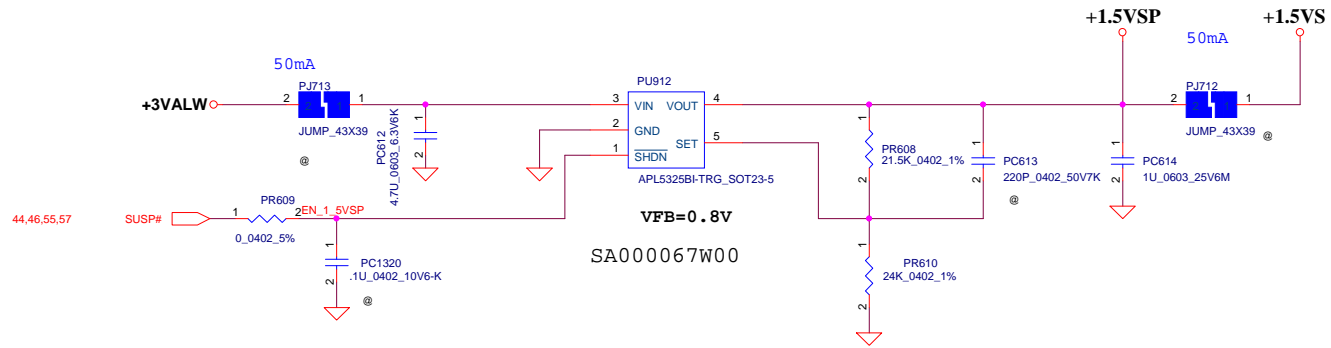
Security Classification	LC Future Center Secret Data		Title
Issued Date	2015/02/27	Deciphered Date	2014/02/13
			CHARGER
THIS SHEET OF ENGINEERING DRAWING IS THE PROPRIETARY PROPERTY OF LC FUTURE CENTER AND CONTAINS CONFIDENTIAL AND TRADE SECRET INFORMATION. THIS SHEET MAY NOT BE TRANSFERRED FROM THE CUSTODY OF THE COMPETENT DIVISION OF R&D DEPARTMENT EXCEPT AS AUTHORIZED BY LC FUTURE CENTER. NEITHER THIS SHEET NOR THE INFORMATION IT CONTAINS MAY BE USED BY OR DISCLOSED TO ANY THIRD PARTY WITHOUT PRIOR WRITTEN CONSENT OF LC FUTURE CENTER.			
Size	Document Number	Rev	
Sheet	CG510	0.2	
Date:	Saturday, May 09, 2015	19:58:53	of 59



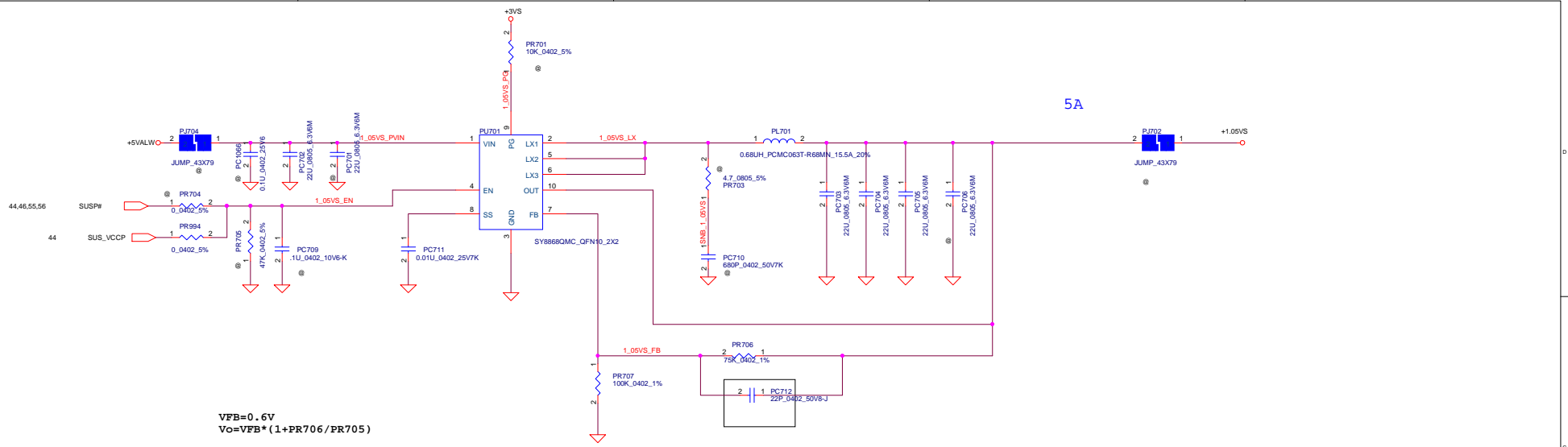
Security Classification	LC Future Center Secret Data		Title
Issued Date	2015/02/27	Deciphered Date	20140213
THIS SHEET OF ENGINEERING DRAWING IS THE PROPRIETARY PROPERTY OF LC FUTURE CENTER, AND CONTAINS CONFIDENTIAL AND TRADE SECRET INFORMATION. THIS SHEET MAY NOT BE TRANSFERRED FROM THE CUSTODY OF THE COMPETENT DIVISION OF DEPARTMENT EXCEPT AS AUTHORIZED BY LC FUTURE CENTER. NEITHER THIS SHEET NOR THE INFORMATION IT CONTAINS MAY BE USED BY OR DISCLOSED TO ANY THIRD PARTY WITHOUT PRIOR WRITTEN CONSENT OF LC FUTURE CENTER.			PWR_3VALW/5VALW Rev 0.2 CG510 Date: Saturday, May 03, 2015 Sheet 54 of 59



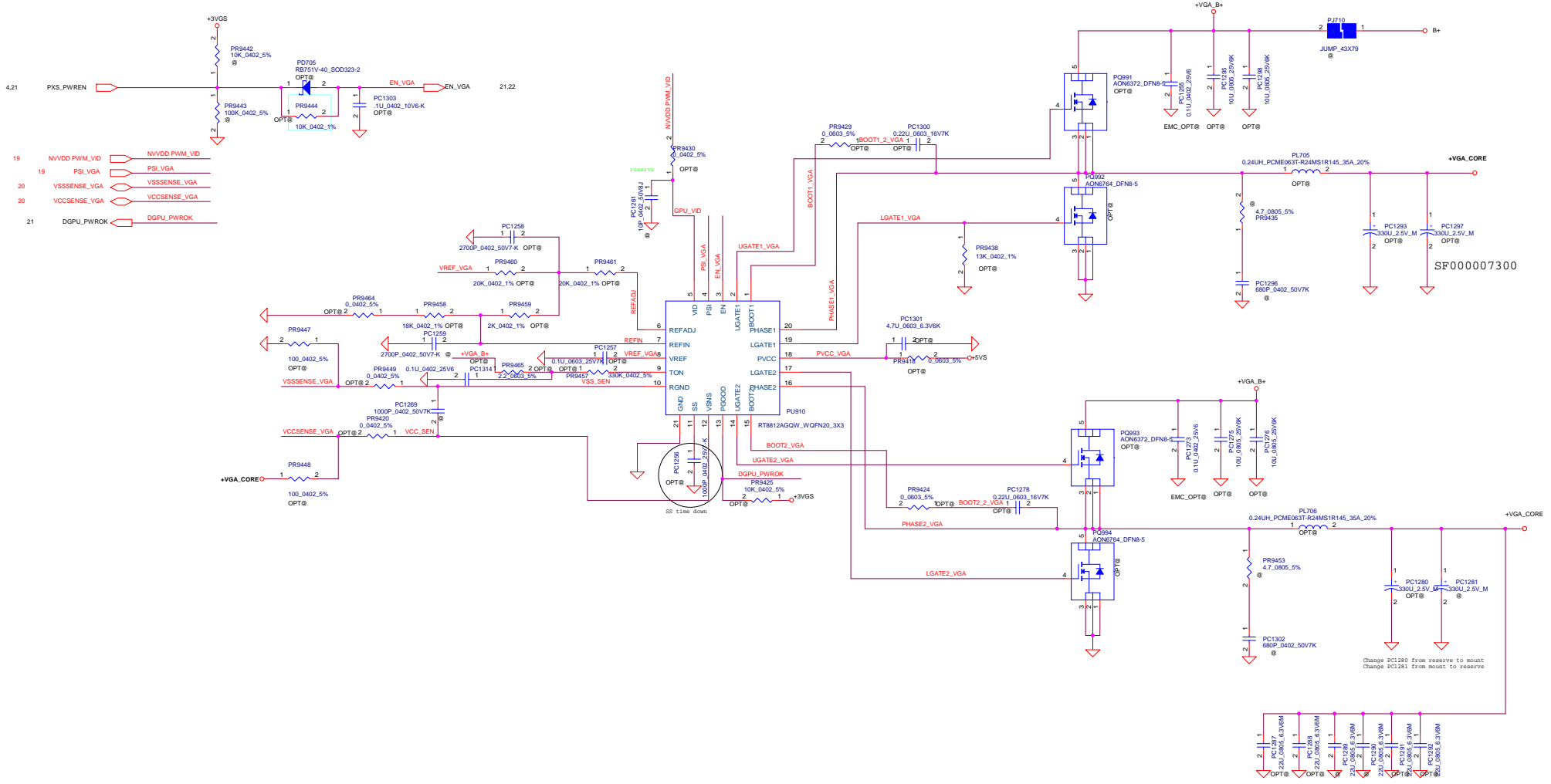
Security Classification		LC Future Center Secret Data		Title	
Issued Date		Deciphered Date		1.35VS/+0.675VS	
2015/02/27		2013/08/05			
THIS SHEET OF ENGINEERING DRAWING IS THE PROPRIETARY PROPERTY OF LC FUTURE CENTER, AND CONTAINS CONFIDENTIAL AND TRADE SECRET INFORMATION. THIS SHEET MAY NOT BE TRANSFERRED FROM THE CUSTODY OF THE COMPETENT DIVISION OF R&D DEPARTMENT EXCEPT AS AUTHORIZED BY LC FUTURE CENTER NEITHER THIS SHEET NOR THE INFORMATION IT CONTAINS MAY BE USED BY OR DISCLOSED TO ANY THIRD PARTY WITHOUT PRIOR WRITTEN CONSENT OF LC FUTURE CENTER.				Size	Rev
				Custom	0.2
				CG510	
				Date:	Sheet
				Saturday, May 09, 2015	55 of 60



Security Classification	LC Future Center Secret Data			Title
Issued Date	2015/02/27	Deciphered Date	20140213	+1.35VS_VGA/+1.5VS
THIS SHEET OF ENGINEERING DRAWING IS THE PROPRIETARY PROPERTY OF LC FUTURE CENTER, AND CONTAINS CONFIDENTIAL AND TRADE SECRET INFORMATION. THIS SHEET MAY NOT BE TRANSFERRED FROM THE CUSTODY OF THE COMPETENT DIVISION OF R&D DEPARTMENT EXCEPT AS AUTHORIZED BY LC FUTURE CENTER NEITHER THIS SHEET NOR THE INFORMATION IT CONTAINS MAY BE USED BY OR DISCLOSED TO ANY THIRD PARTY WITHOUT PRIOR WRITTEN CONSENT OF LC FUTURE CENTER.				Size Custom
Date: Saturday, May 09, 2015			Document Number CG510	Rev 0.2
Sheet 56 of 59				



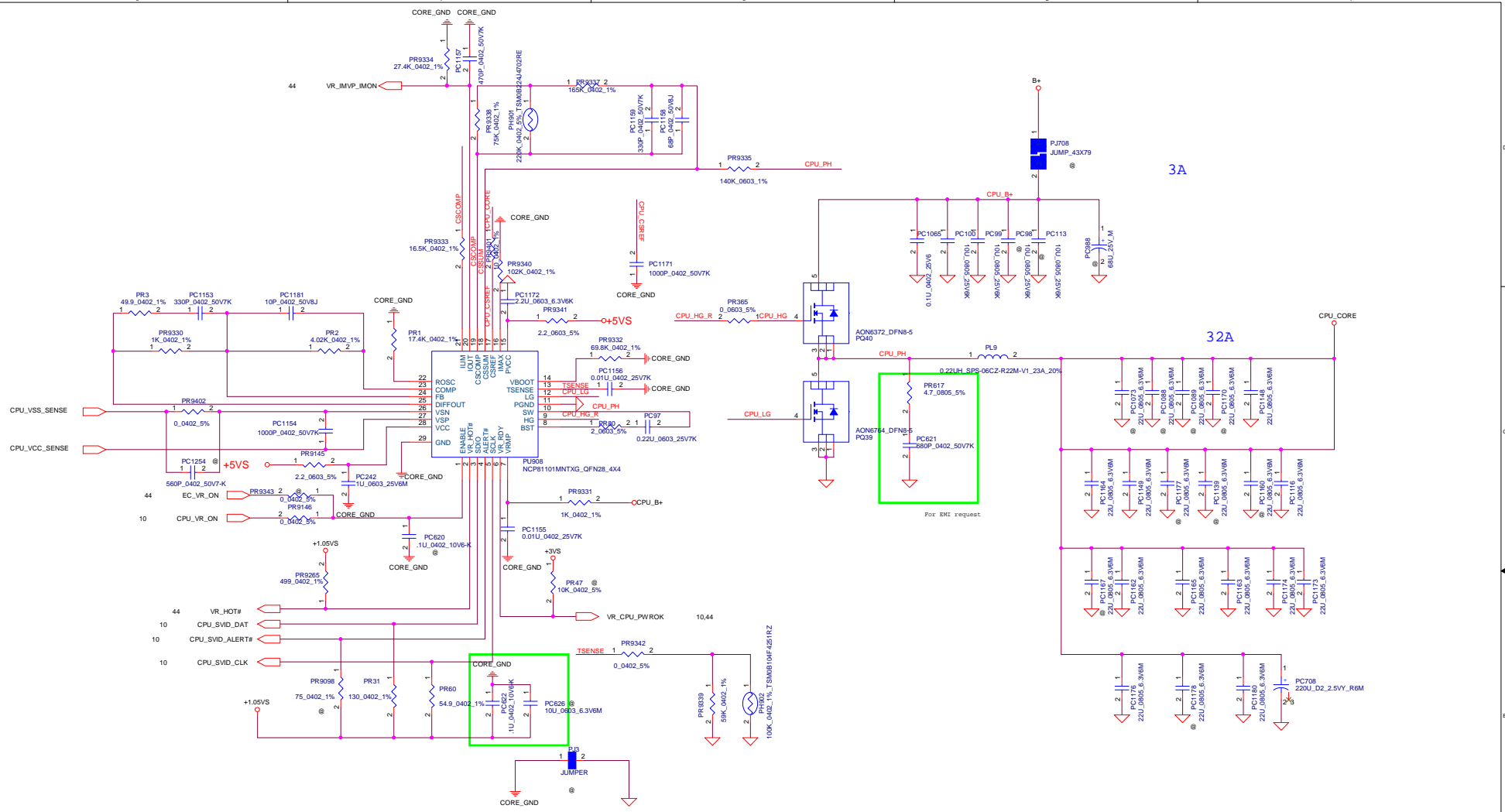
Security Classification		LC Future Center Secret Data		Title	
Issued Date	2015/02/27	Deciphered Date	20140213	+1.05VS	
THIS SHEET OF ENGINEERING DRAWING IS THE PROPRIETARY PROPERTY OF LC FUTURE CENTER, AND CONTAINS CONFIDENTIAL AND TRADE SECRET INFORMATION. THIS SHEET MAY NOT BE TRANSFERRED FROM THE CUSTODY OF THE COMPETENT DIVISION OF DEPARTMENT EXCEPT AS AUTHORIZED BY LC FUTURE CENTER. NEITHER THIS SHEET NOR THE INFORMATION IT CONTAINS MAY BE USED BY OR DISCLOSED TO ANY THIRD PARTY WITHOUT PRIOR WRITTEN CONSENT OF LC FUTURE CENTER.					
Rev	Document Number	Date		Sheet	of
02	CG510	Saturday, May 09, 2015		57	of 59



- 19 NVDD PWM_VID NVDD PWM_VID
- 19 PSL_VGA PSL_VGA
- 20 VSSSENSE_VGA VSSSENSE_VGA
- 20 VCCSENSE_VGA VCCSENSE_VGA
- 21 DGPU_PWROK DGPU_PWROK

Change PC1280 from reserve to mount
Change PC1281 from mount to reserve

Security Classification		LC Future Center Secret Data		Title	
Issued Date	2015/02/27	Deciphered Date	2013/08/05	PWR-VGA_CORE	
THIS SHEET OF ENGINEERING DRAWING IS THE PROPRIETARY PROPERTY OF LC FUTURE CENTER, AND CONTAINS CONFIDENTIAL AND TRADE SECRET INFORMATION. THIS SHEET MAY NOT BE TRANSFERRED FROM THE CUSTODY OF THE COMPETENT DIVISION OF RAD DEPARTMENT EXCEPT AS AUTHORIZED BY LC FUTURE CENTER. NEITHER THIS SHEET NOR THE INFORMATION IT CONTAINS MAY BE USED BY OR DISCLOSED TO ANY THIRD PARTY WITHOUT PRIOR WRITTEN CONSENT OF LC FUTURE CENTER.					
Size	Document Number	Rev		0.2	
Custom	CG510				
Date:	Saturday, May 09, 2015	Sheet	88	of 89	



Security Classification	LC Future Center Secret Data		Title
Issued Date	2015/02/27	Deciphered Date	20140213
THIS SHEET OF ENGINEERING DRAWING IS THE PROPRIETARY PROPERTY OF LC FUTURE CENTER, AND CONTAINS CONFIDENTIAL AND TRADE SECRET INFORMATION. THIS SHEET MAY NOT BE TRANSFERRED FROM THE CUSTODY OF THE COMPETENT DIVISION OF DEPARTMENT EXCEPT AS AUTHORIZED BY LC FUTURE CENTER. NEITHER THIS SHEET NOR THE INFORMATION IT CONTAINS MAY BE USED BY OR DISCLOSED TO ANY THIRD PARTY WITHOUT PRIOR WRITTEN CONSENT OF LC FUTURE CENTER.			PWR_CPU Core Document Number CG510 Date: Saturday, May 03, 2015 Sheet 59 of 59