



---

# Service Manual

## Freestanding Double Door ARC 4170/IX

---

<b>Model Version</b>		<b>Page</b>
	ARC 4170/IX	
	8501 417 10040	
	Technical data	2
	Spare part list	3
	Exploded view	4
	Circuit and Wiring diagram	6
	Text/Legend	7

## Technical data

### Dimensions

Height	187.4	cm
Width	70.9	cm
Depth	72.8	cm

### Capacity

<b>Total</b>		
gross	440	l
net	436	l
<b>Cooling</b>		
gross	330	l
net	328	l
<b>Freezing</b>		
gross	110	l
net	108	l

### Electrical connection

Voltage	220 - 240	V
Frequency	50	Hz

### Power consumption

in 24 hours	1.24	kWh
-------------	------	-----

### Freezing capacity

in 24 hours	5	kg
-------------	---	----

### Compressor (freezing)

Type	EGM 90 CLC	
Capacity (CECOMAF)	166	W

### Refrigerant (freezing)

Type	R 600 a	
Quantity	56	g

### Thermostat (Cooling)

Thermo-Mechanic (Damper)

### Thermostat (Freezing)

Electronic

### Thermostat switching value (cooling)

MIN.		
Switch on temperature	+ 9.0	°C
Switch off temperature	+ 2.0	°C

MED.		
Switch on temperature	+ 4.0	°C
Switch off temperature	- 3.0	°C

MAX.		
Switch on temperature	- 1.0	°C
Switch off temperature	- 8.0	°C

### Thermostat switching value (freezing)

MIN.		
Switch on temperature	- 15.0	°C
Switch off temperature	- 21.0	°C

MED.		
Switch on temperature	- 17.0	°C
Switch off temperature	- 23.0	°C

MAX.		
Switch on temperature	- 21.0	°C
Switch off temperature	- 27.0	°C

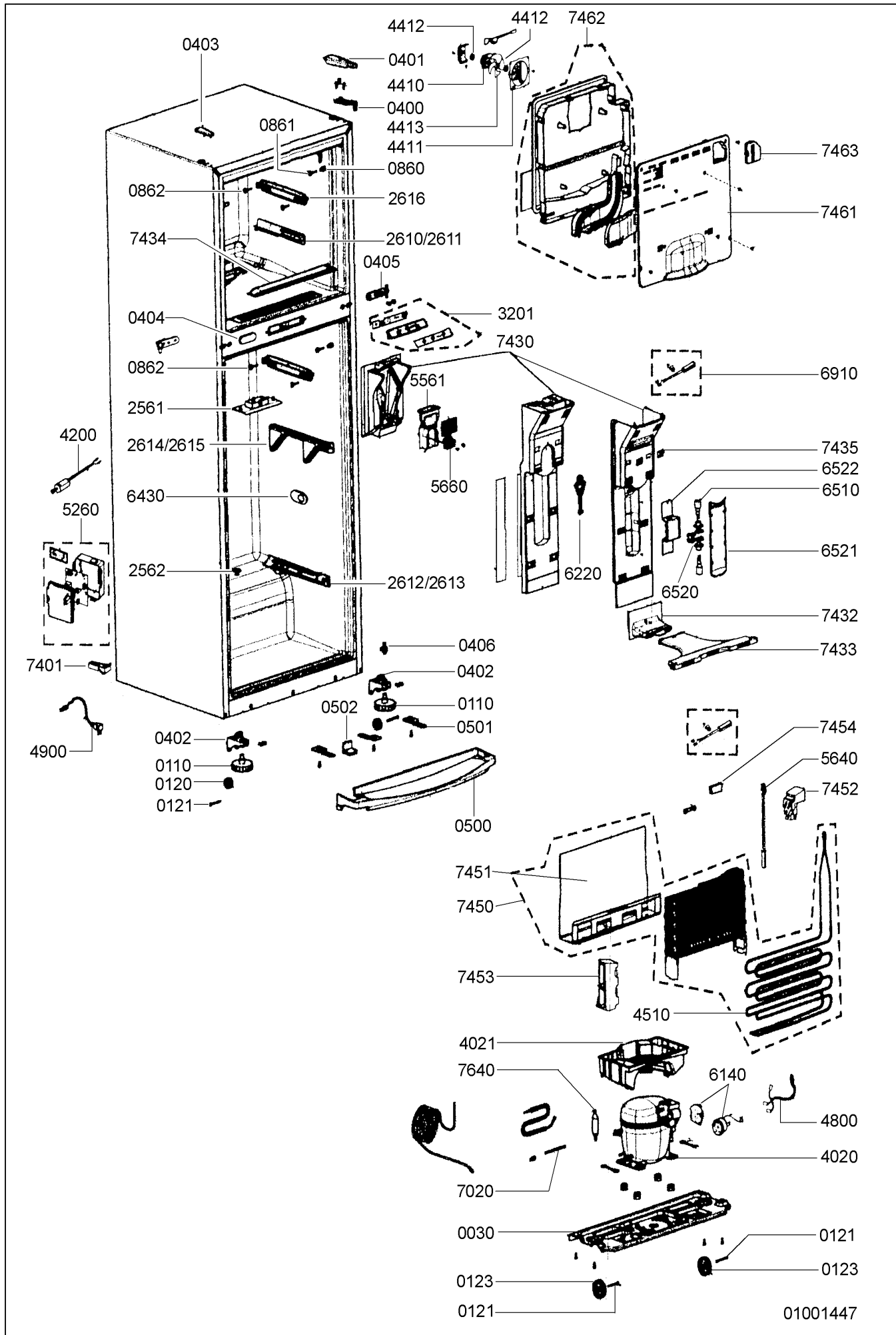
## Spare part list

**Model** ARC 4170/IX  
**Service No.** 850141710040  
**Version** 850141710040

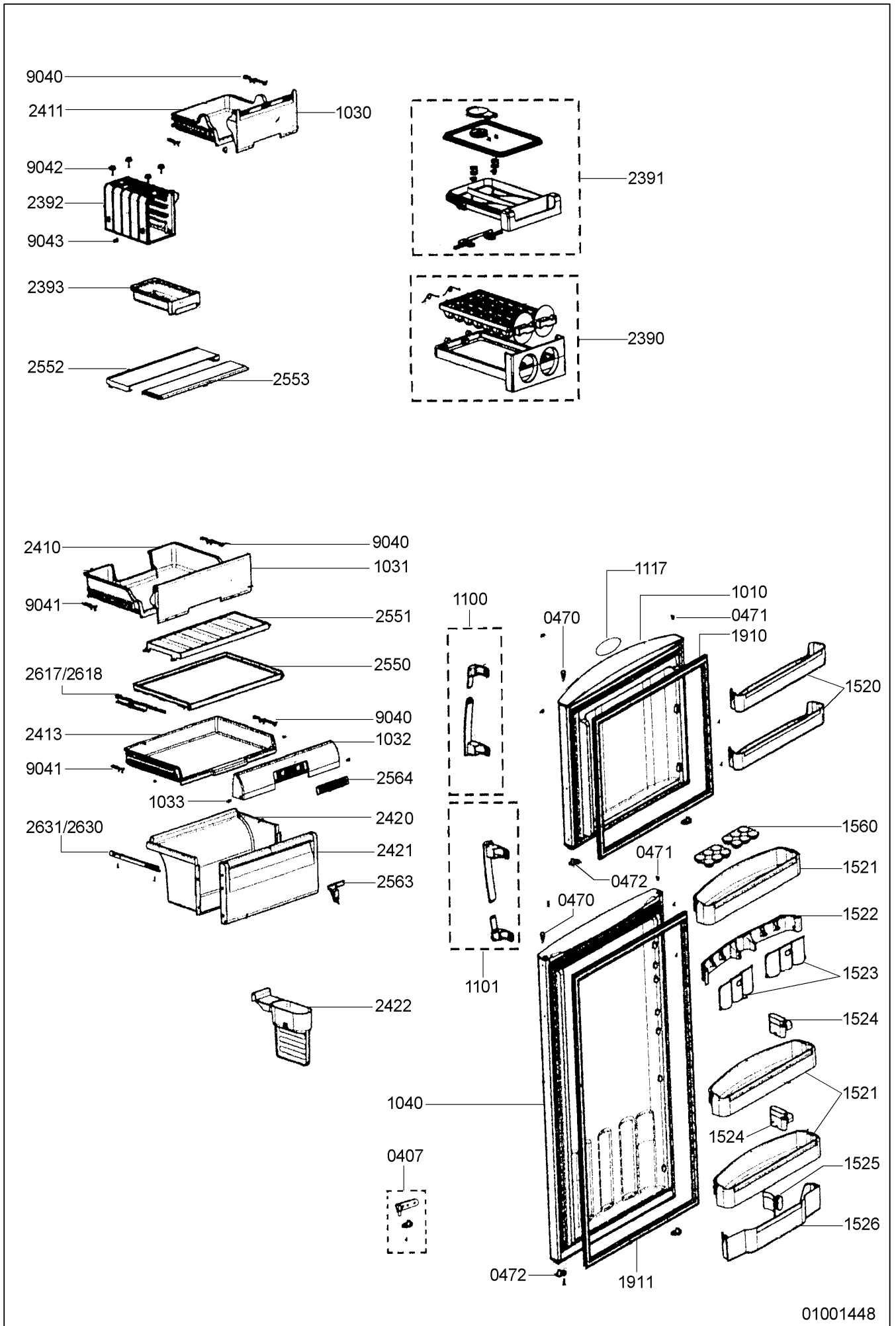
Pos. No.	12NC Code	Description
003 0	<b>4812 442 29269</b>	Base Compressor
011 0	<b>4812 462 18245</b>	Foot adjust.
012 0	<b>4812 528 78071</b>	Roller
012 1	<b>4812 535 48009</b>	Shaft
012 3	<b>4812 528 78072</b>	Roller
040 0	<b>4812 417 19286</b>	Hinge, upper
040 1	<b>4812 462 28629</b>	Cover, hinge
040 2	<b>4812 417 19284</b>	Hinge
040 3	<b>4812 462 28631</b>	Cover black color
040 4	<b>4812 462 28623</b>	Cover, hinge color black
040 5	<b>4812 417 19277</b>	Hinge
040 6	<b>4812 417 19278</b>	Pin Hinge, lower
040 7	<b>4812 446 88151</b>	Door revers. Kit left side, inox
047 0	<b>4812 462 28397</b>	Bushing, upper
047 1	<b>4812 532 88047</b>	Stopper, Black
047 2	<b>4812 446 88152</b>	Bushing
050 0	<b>4812 440 89086</b>	Plinth color black
050 1	<b>4812 435 18111</b>	Clamp
050 2	<b>4812 414 58256</b>	Cover color black
086 0	<b>4812 404 48923</b>	Support
086 1	<b>4812 535 38083</b>	Pin
086 2	<b>4812 226 08021</b>	Pin Rail
101 0	<b>4812 416 19541</b>	Door, freezer inox
103 0	<b>4812 262 78016</b>	Cover Freezing
103 1	<b>4812 262 78017</b>	Cover
103 2	<b>4812 442 29271</b>	Front Crisper
103 3	<b>4812 226 08022</b>	Pin Crisper
104 0	<b>4812 416 19535</b>	Door, refriger. inox
110 0	<b>4812 498 18352</b>	Handle, door, inox
110 1	<b>4812 498 18353</b>	Handle, door, inox
111 7	<b>4812 459 18238</b>	Nameplate
152 0	<b>4812 418 48729</b>	Door, dairy Freezing
152 1	<b>4812 418 48731</b>	Door, dairy
152 2	<b>4812 418 28726</b>	Support can
152 3	<b>4812 418 89016</b>	Holder, can
152 4	<b>4812 418 28727</b>	Separator
152 5	<b>4812 418 28728</b>	Separator bottles
152 6	<b>4812 418 28729</b>	Bottle shelf Door
156 0	<b>4812 460 88279</b>	Holder, eggs
191 0	<b>4812 468 18329</b>	Gasket. fre. door fray color
191 1	<b>4812 468 18331</b>	Gasket, ref. door gray color
239 0	<b>4812 690 28035</b>	Ice maker
239 1	<b>4812 418 28731</b>	Tank
239 2	<b>4812 404 38733</b>	Support Ice maker
239 3	<b>4812 418 28733</b>	Tray icecube
241 0	<b>4812 418 28734</b>	Shelf
241 1	<b>4812 418 28735</b>	Shelf
241 3	<b>4812 418 28736</b>	Drawer
242 0	<b>4812 418 28737</b>	Drawer
242 1	<b>4812 442 29272</b>	Front Crisper
242 2	<b>4812 418 28738</b>	Spacer
255 0	<b>4812 450 88266</b>	Glass shelf
255 1	<b>4812 418 28739</b>	Shelf extra
255 2	<b>4812 418 28741</b>	Shelf rear
255 3	<b>4812 418 28742</b>	Shelf front

Pos. No.	12NC Code	Description
256 1	<b>4812 460 48883</b>	Support
256 2	<b>4812 460 48886</b>	Cover
256 3	<b>4812 411 68014</b>	Slide
256 4	<b>4812 411 68013</b>	Slide
261 0	<b>4812 462 38207</b>	Rail Freezing, right side
261 1	<b>4812 462 38208</b>	Rail Freezing, left side
261 2	<b>4812 462 38209</b>	Rail right, vegetables drawing
261 3	<b>4812 462 38206</b>	Rail left, vegetables drawing
261 4	<b>4812 462 38211</b>	Rail + Stopper, right side
261 5	<b>4812 462 38212</b>	Rail + Stopper, left side
261 6	<b>4812 462 38213</b>	Rail
261 7	<b>4812 462 38214</b>	Rail Glass shelf, right side
261 8	<b>4812 462 38215</b>	Rail Glass shelf, left side
263 0	<b>4812 462 38216</b>	Rail left
263 1	<b>4812 462 38217</b>	Rail right
320 1	<b>4812 214 79277</b>	User board inox
402 0	<b>4812 360 38919</b>	Compressor EGM 90 CLC
402 1	<b>4812 418 18319</b>	Tray, compressor
420 0	<b>4812 121 08241</b>	Capacitor
441 0	<b>4812 028 58345</b>	Motor, fan 220-240V 3000RPM
441 1	<b>4812 404 18458</b>	Support Motor Freezing
441 2	<b>4812 466 38021</b>	Protector fan
441 3	<b>4812 361 18282</b>	Fan
451 0	<b>4812 511 58017</b>	Element defrost
480 0	<b>4812 019 78835</b>	Cable harness Compressor
490 0	<b>4812 019 78836</b>	Cable, mains
526 0	<b>4812 236 78529</b>	Control board
564 0	<b>4812 252 28045</b>	Thermal fuse
566 0	<b>4812 282 38122</b>	Thermostat
566 1	<b>4812 224 38011</b>	Housing Damper
614 0	<b>4812 218 38238</b>	Relay + Overload prot.
622 0	<b>4812 468 18334</b>	Slide switch
643 0	<b>4812 215 38016</b>	Thermometer Space 4
651 0	<b>4812 134 88061</b>	Lamp 220V-15W
652 0	<b>4812 255 18277</b>	Holder, lamp
652 1	<b>4812 462 28624</b>	Protector lamp
652 2	<b>4812 404 68044</b>	Support lamp
691 0	<b>4812 134 28075</b>	Sensor temper.
702 0	<b>4819 526 43046</b>	Tube service
740 1	<b>4812 462 28625</b>	Spacer Cabinet
743 0	<b>4812 480 28095</b>	Air diffuser Set
743 2	<b>4812 440 79138</b>	Coupling Air diffuser
743 3	<b>4812 442 29273</b>	Air diffuser Door, refriger.
743 4	<b>4812 442 29275</b>	Air guide
743 5	<b>4812 462 28626</b>	Cover Air diffuser
745 0	<b>4812 511 38272</b>	Evaporator set
745 1	<b>4812 440 29471</b>	Heat shield
745 2	<b>4812 440 29472</b>	Spacebar right
745 3	<b>4812 440 29473</b>	Spacebar left
745 4	<b>4812 404 38735</b>	Support Sensor
746 1	<b>4812 462 28627</b>	Cover, front Evaporator
746 2	<b>4812 462 28628</b>	Cover, rear Evaporator
746 3	<b>4812 404 18457</b>	Support Sensor
764 0	<b>4819 526 48527</b>	Dryer
904 0	<b>4812 404 48919</b>	Clamp right hand
904 1	<b>4812 404 38736</b>	Clamp left hand
904 2	<b>4812 526 48192</b>	Bushing
904 3	<b>4812 226 08023</b>	Pin

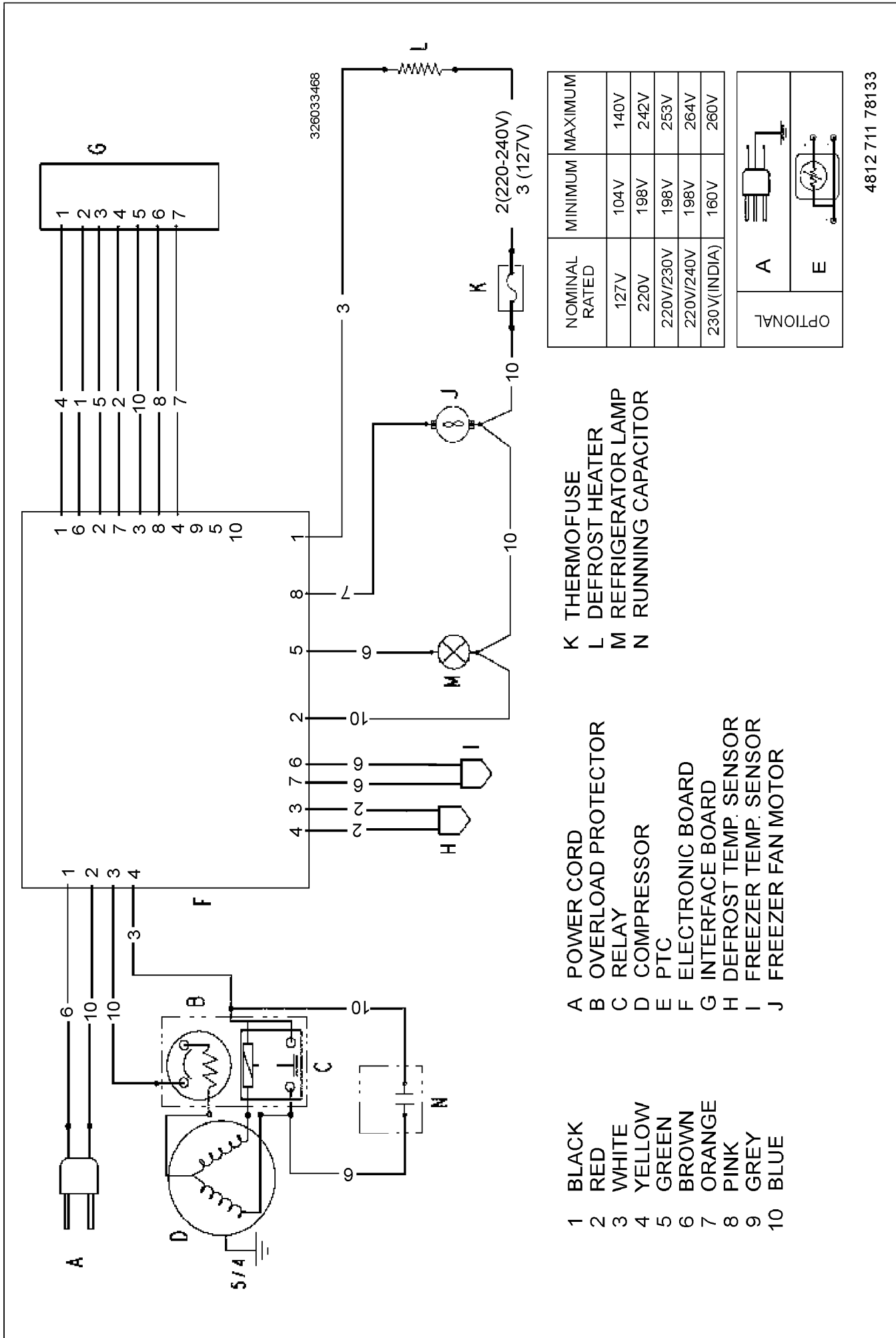
**Exploded view**



**Exploded view**



**Circuit and Wiring diagram**



- 1 BLACK
- 2 RED
- 3 WHITE
- 4 YELLOW
- 5 GREEN
- 6 BROWN
- 7 ORANGE
- 8 PINK
- 9 GREY
- 10 BLUE

- A POWER CORD
- B OVERLOAD PROTECTOR
- C RELAY
- D COMPRESSOR
- E PTC
- F ELECTRONIC BOARD
- G INTERFACE BOARD
- H DEFROST TEMP. SENSOR
- I FREEZER TEMP. SENSOR
- J FREEZER FAN MOTOR

- K THERMOFUSE
- L DEFROST HEATER
- M REFRIGERATOR LAMP
- N RUNNING CAPACITOR

NOMINAL RATED	MINIMUM	MAXIMUM
127V	104V	140V
220V	198V	242V
220V/230V	198V	253V
220V/240V	198V	264V
230V(INDIA)	160V	260V

OPTIONAL	
A	
E	

4812 711 78133

## Text/Legend

Temperature (°C)	NTC Resistance (ohm)	Accuracy	
		(± °C)	(± Ω)
50	967,42	0,5	
40	1429,27	0,5	
30	2160,92	0,5	
20	3350,00	0,5	
10	5335	0,5	137
9,5	5464	0,5	139
9	5598	0,5	142
8,5	5735	0,5	144
8	5876	0,5	147
7,5	6021	0,5	150
7	6170	0,5	153
6,5	6323	0,5	155
6	6480	0,5	159
5,5	6642	0,5	162
5	6808	0,5	165
4,5	6979	0,5	168
4	7155	0,5	172
3,5	7335	0,5	175
3	7521	0,5	179
2,5	7713	0,5	183
2	7909	0,5	187
1,5	8112	0,5	191
1	8320	0,5	196
0,5	8534	0,5	200
0	8755	0,5	205
-0,5	8982	0,5	210
-1	9215	0,5	215
-1,5	9456	0,5	220
-2	9703	0,5	226
-2,5	9958	0,5	231
-3	10221	0,5	237
-3,5	10491	0,4	243
-4	10769	0,4	250
-4,5	11055	0,4	256
-5	11350	0,4	263
-5,5	11654	0,4	271
-6	11967	0,4	278
-6,5	12290	0,4	286
-7	12622	0,4	295
-7,5	12965	0,4	303
-8	13318	0,4	312
-8,5	13681	0,4	322
-9	14056	0,4	332
-9,5	14442	0,4	342
-10	14841	0,4	353
-10,5	15251	0,4	364
-11	15675	0,4	376
-11,5	16111	0,4	388
-12	16561	0,4	401

Temperature (°C)	NTC Resistance (ohm)	Accuracy	
		(± °C)	(± Ω)
-12,5	17026	0,4	415
-13	17505	0,4	429
-13,5	17999	0,5	444
-14	18508	0,5	460
-14,5	19034	0,5	476
-15	19577	0,5	493
-15,5	20137	0,5	511
-16	20715	0,5	530
-16,5	21311	0,5	550
-17	21927	0,5	571
-17,5	22562	0,5	592
-18	23218	0,5	615
-18,5	23896	0,5	640
-19	24596	0,5	664
-19,5	25318	0,5	691
-20	26065	0,5	718
-20,5	26835	0,5	748
-21	27632	0,5	778
-21,5	28455	0,5	811
-22	29305	0,5	844
-22,5	30183	0,5	880
-23	31091	0,5	918
-23,5	32030	0,5	957
-24	33000	0,5	998
-24,5	34003	0,5	1042
-25	35040	0,5	1088
-25,5	36112	0,5	1136
-26	37221	0,5	1187
-26,5	38368	0,5	1240
-27	39554	0,5	1296
-27,5	40781	0,6	1355
-28	42050	0,6	1218
-28,5	43364	0,6	1483
-29	44723	0,6	1552
-29,5	46130	0,6	1625
-30	47586	0,6	1702
-30,5	49093	0,6	1783
-31	50653	0,6	1868
-31,5	52268	0,6	1958
-32	53941	0,6	2052
-32,5	55673	0,6	2152
-33	57467	0,6	2257
-33,5	59326	0,6	2368
-34	61251	0,6	2484
-34,5	63245	0,7	2608