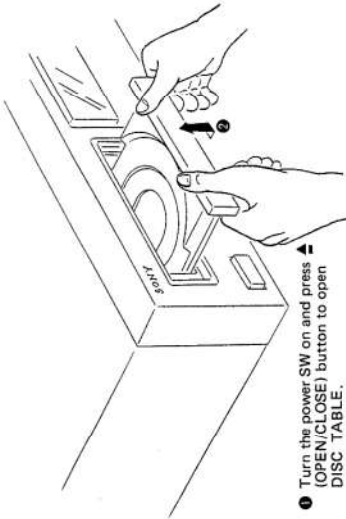


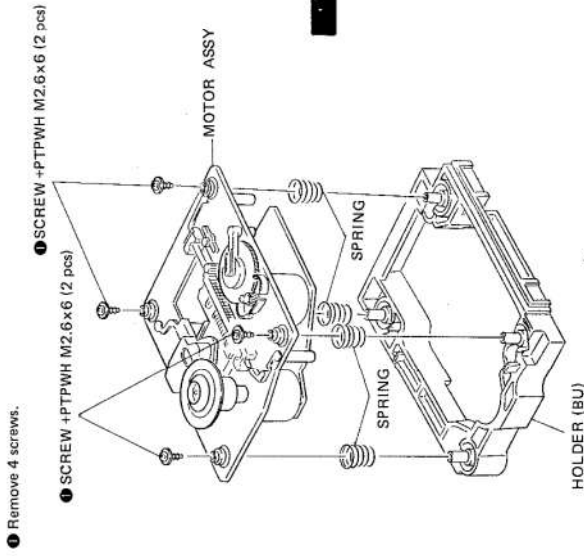
**SECTION 2
DISASSEMBLY**

Removal of LOADING PANEL



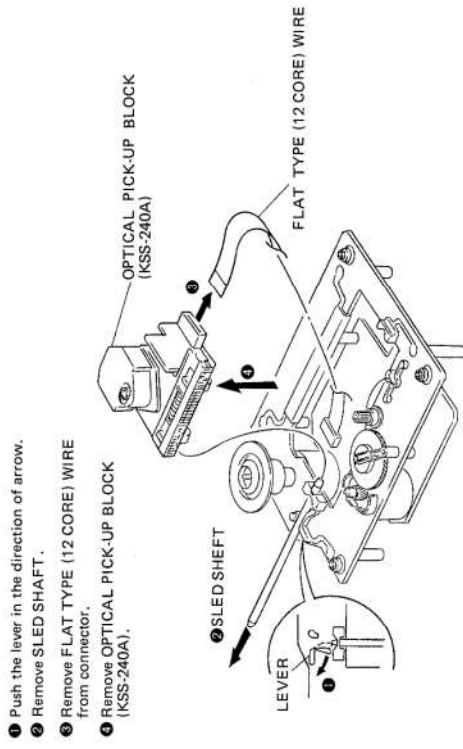
- 1 Turn the power SW on and press (OPEN/CLOSE) button to open DISC TABLE.
- 2 Pull up LOADING PANEL with twisting it as shown by arrow.

Removal of MOTOR ASSY



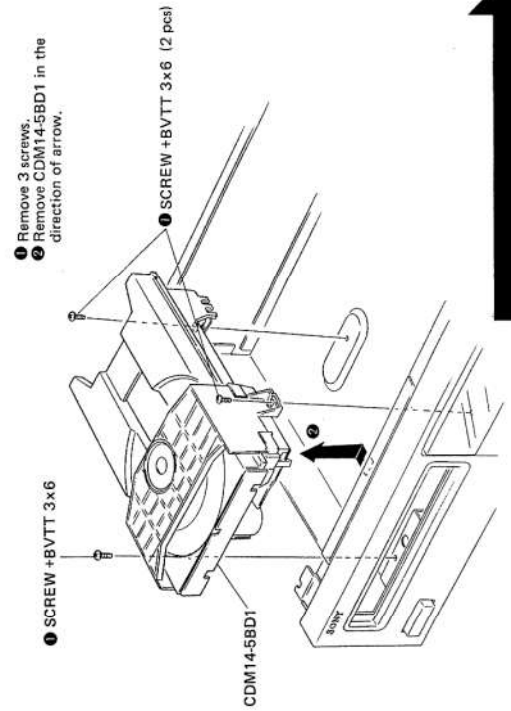
- 1 Remove 4 screws.
- 1 SCREW +PTPWH M2.6x6 (2 pcs)
- 2 SCREW +PTPWH M2.6x6 (2 pcs)

Removal of OPTICAL PICK-UP BLOCK (KSS-240A)



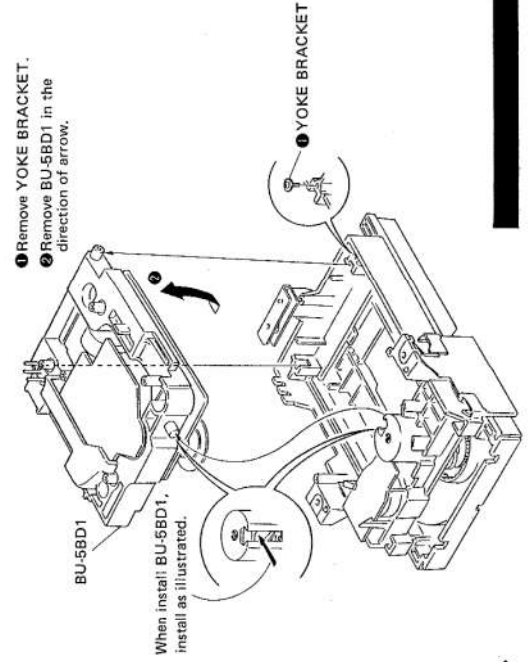
- 1 Push the lever in the direction of arrow.
- 2 Remove SLED SHAFT.
- 3 Remove FLAT TYPE (12 CORE) WIRE from connector.
- 4 Remove OPTICAL PICK-UP BLOCK (KSS-240A).

Removal of CD MECHANISM BLOCK (CDM14-5BD1)



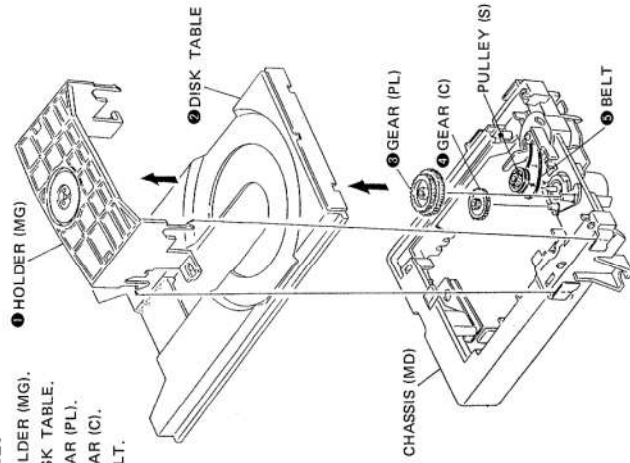
- 1 Remove 3 screws.
- 2 Remove CDM14-5BD1 in the direction of arrow.
- 1 SCREW +BVTT 3x6

Removal of BASE UNIT (BU-5BD1)



- 1 Remove YOKE BRACKET.
- 2 Remove BU-5BD1 in the direction of arrow.

Removal of BELT



- 1 Remove HOLDER (MG).
- 2 Remove DISK TABLE.
- 3 Remove GEAR (PL).
- 4 Remove GEAR (C).
- 5 Remove BELT.