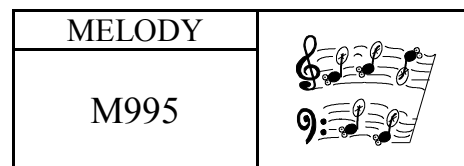




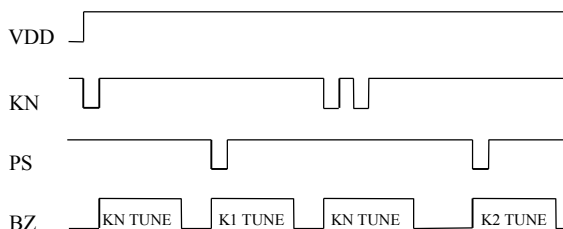
256 NOTES
DUAL TONE

雙音和弦 IC



FEATURES 功能敘述

- 256 notes dual tone.
- PS : Sequence input.
- K1, K2, K3 : Song select.



APPLICATION 產品應用

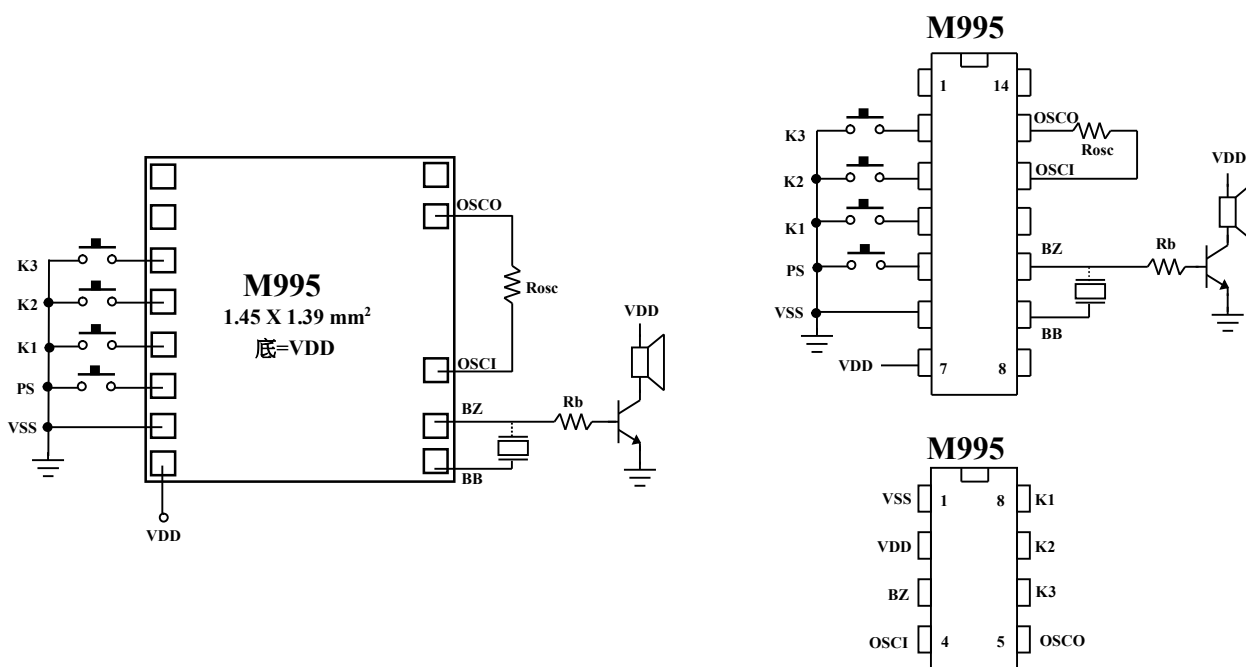
- Melody Toys, Musical instrument.

ELECTRICAL CHARACTERISTICS 電氣規格

(@V_{DD}=3V unless otherwise specified)

Characteristics	Sym.	Min.	Typ.	Max.	Unit	REMARKS
工作電壓 Operating Voltage	V _{DD}	—	3	3.5	V	
工作電流 Operating Current	I _{OP}	—	—	10	mA	No load
靜態電流 Quiescent Current	I _{SB}	—	1	5	μA	
推動電流 BZ Driving Current	I _O	1	—	—	mA	@V _{DS} =1V
振盪頻率 Oscillator Frequency	F _{OSC}	—	100	—	KHz	External±30%, Rosc=270KΩ
		—	80	—	KHz	-DB、-DB2, Rosc=330KΩ
工作溫度 Operating Temperature	Temp.	0	25	60	°C	

APPLICATION DIAGRAM 參考電路圖



*All specs and applications shown above subject to change without prior notice.

(以上電路及規格僅供參考,本公司得逕行修正)



256 NOTES
DUAL TONE

雙音和弦 IC

MELODY	
M995	

SONG LIST

M995-1

1. LA REINE DEO SABA
2. FOR ALICE
3. MUSIC BOX DANCER

M995-2

1. JAPANESE LULLABY
2. BRAHMS LULLABY
3. ROCK-A-BY BABY

M995-3

1. DING DONG 2 TIMES
2. ALARM
3. FOR ALICE

M995-4

1. JINGLE BELLS
2. WE WISH YOU A MERRY XMAS
3. SANTA CLAUS IS COMING TO TOWN

M995-5

1. LONDON BRIDGE IS FALLING DOWN
2. MARY HAD A LITTLE LAMB
3. DOWN THE MOUNTAIN SIDE WE GO

M995-6

1. LOVE ME TENDER
2. IF YOU LOVE ME
3. I CAN'T STOP LOVING YOU

M995-8

1. A TIME FOR US
2. LOVE IS BLUE
3. ARE YOU LONESOME TONIGHT?

M995-C1

1. MARY HAD LITTLE LAMB
2. TWINKLE TWINKLE LITTLE STAR
3. BRAHMS LULLABY

M995-DB

1. WEST MINISTER
2. DING
3. DING DONG

M995-DB2

1. DING DONG
2. DING DING
3. WEST MINISTER

M995-C13

1. WEST MINISTER
2. DING DONG 2 TIMES
3. DING DANG DONG

M995-C14

1. DING DONG 2 TIMES
2. WEST MINISTER
3. FOR ALICE (14 SEC)

M995-C15

1. DING DONG 2 TIMES
2. WEST MINISTER
3. FOR ALICE (6 SEC)

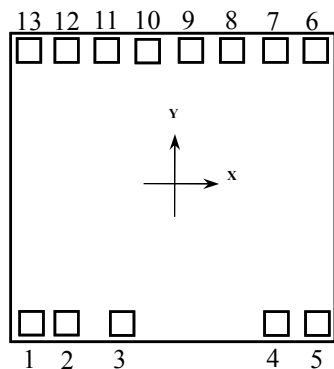


256 NOTES
DUAL TONE

雙音和弦 IC

MELODY	
M995	

PAD ASSIGNMENT & POSITION



UNIT : um

No.	NAME	X	Y
1	BB	-612	-581
2	BZ	-457	-581
3	OSCI	-218	-581
4	OSCO	441	-581
5	TEST	612	-581
6	TEST3	605	581
7	RETG	437	581
8	K3	250	581
9	K2	74	581
10	K1	-102	581
11	PS	-278	581
12	VSS	-455	581
13	VDD	-612	581

* CHIP SIZE ~ 1.45 x 1.39 mm²

* IC substrate should be connected to VDD in PCB (PCB 上 IC 必須接 VDD)

(以上電路及規格僅供參考,本公司得逕行修正)



256 NOTES
DUAL TONE

雙音和弦 IC

MELODY	
M995	

PACKAGE OUTLINE

SYMBOLS	MIN.	NOM.	MAX.
A	0.058	0.064	0.068
A1	0.004	—	0.010
B	0.013	0.016	0.020
C	0.0075	0.008	0.0098
D	0.336	0.341	0.344
E	0.150	0.154	0.157
e	—	0.050	—
H	0.228	0.236	0.244
L	0.015	0.025	0.050
θ°	0°	—	8°

UNIT : INCH

SOP-14
(150 mil)

SYMBOLS	MIN.	NOM.	MAX.
A	—	—	0.210
A1	0.015	—	—
A2	0.125	0.130	0.135
D	0.735	0.750	0.775
E	0.300 BSC.		
E1	0.245	0.250	0.255
L	0.115	0.130	0.150
e	0.335	0.355	0.375
θ	0	7	15

UNIT : INCH

DIP-14
(300 mil)



256 NOTES
DUAL TONE

雙音和弦 IC

MELODY	
M995	

PACKAGE OUTLINE

SYMBOLS	MIN	MAX
A	0.053	0.069
A1	0.004	0.010
A2		0.059
D	0.189	0.196
E	0.150	0.157
H	0.228	0.244
L	0.016	0.050
θ	0	8

Unit : INCH

SOP-8

SYMBOLS	MIN.	NOM.	MAX.
A	—	—	0.210
A1	0.015	—	—
A2	0.125	0.130	0.135
D	0.355	0.365	0.400
E	0.300 BSC.		
E1	0.245	0.250	0.255
L	0.115	0.130	0.150
e	0.335	0.355	0.375
θ	0	7	15

Unit : INCH

DIP-8