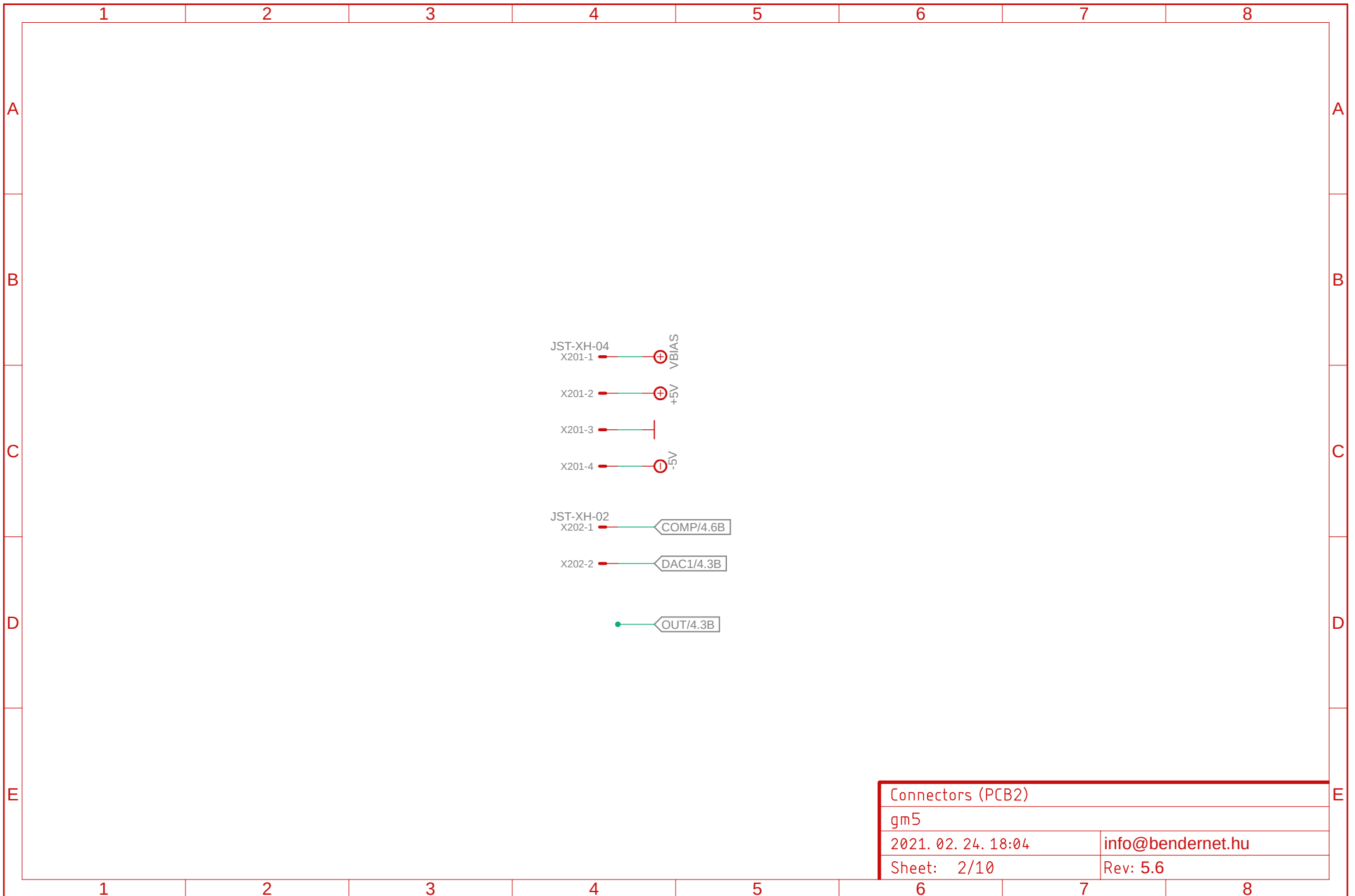
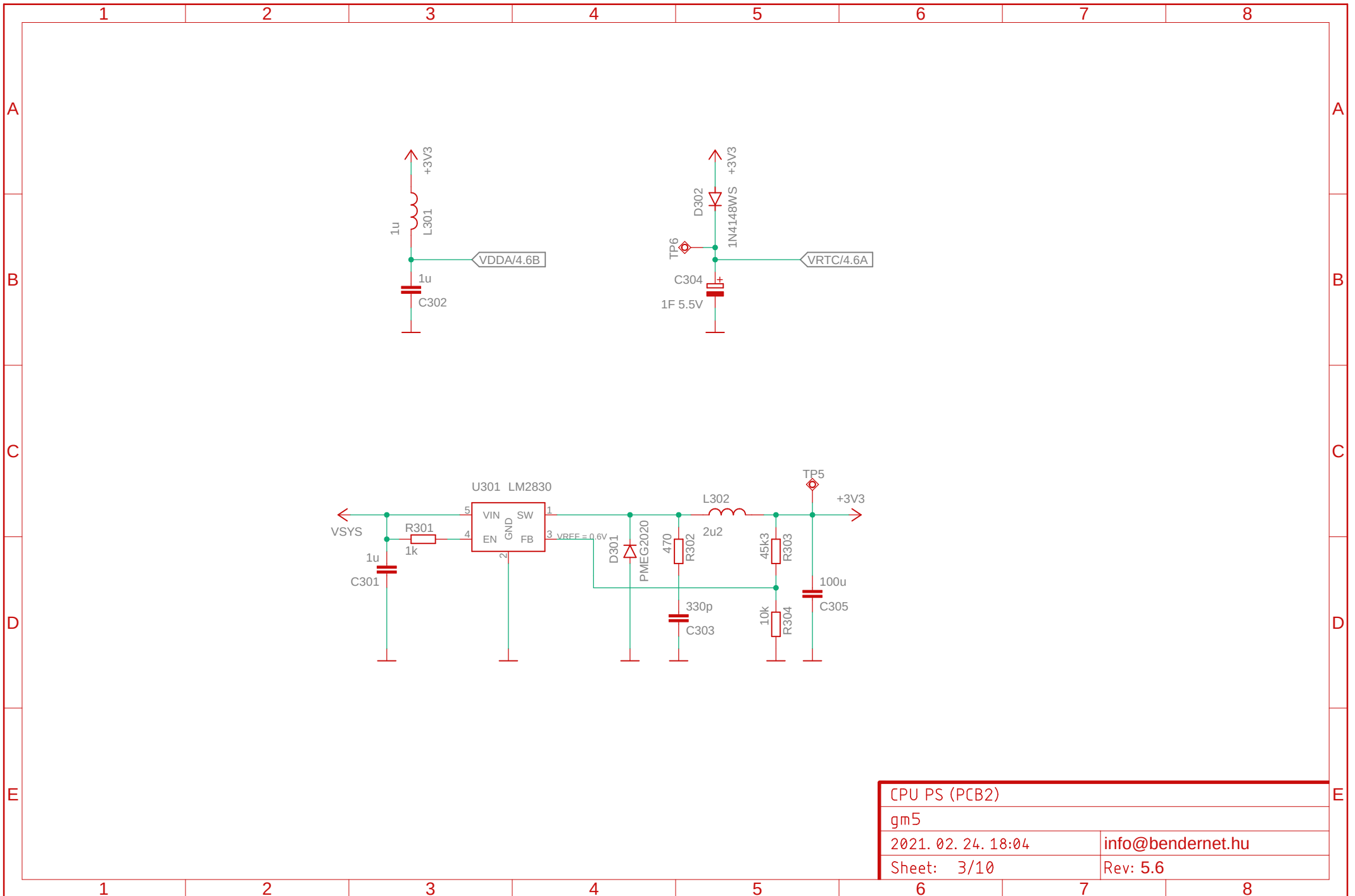


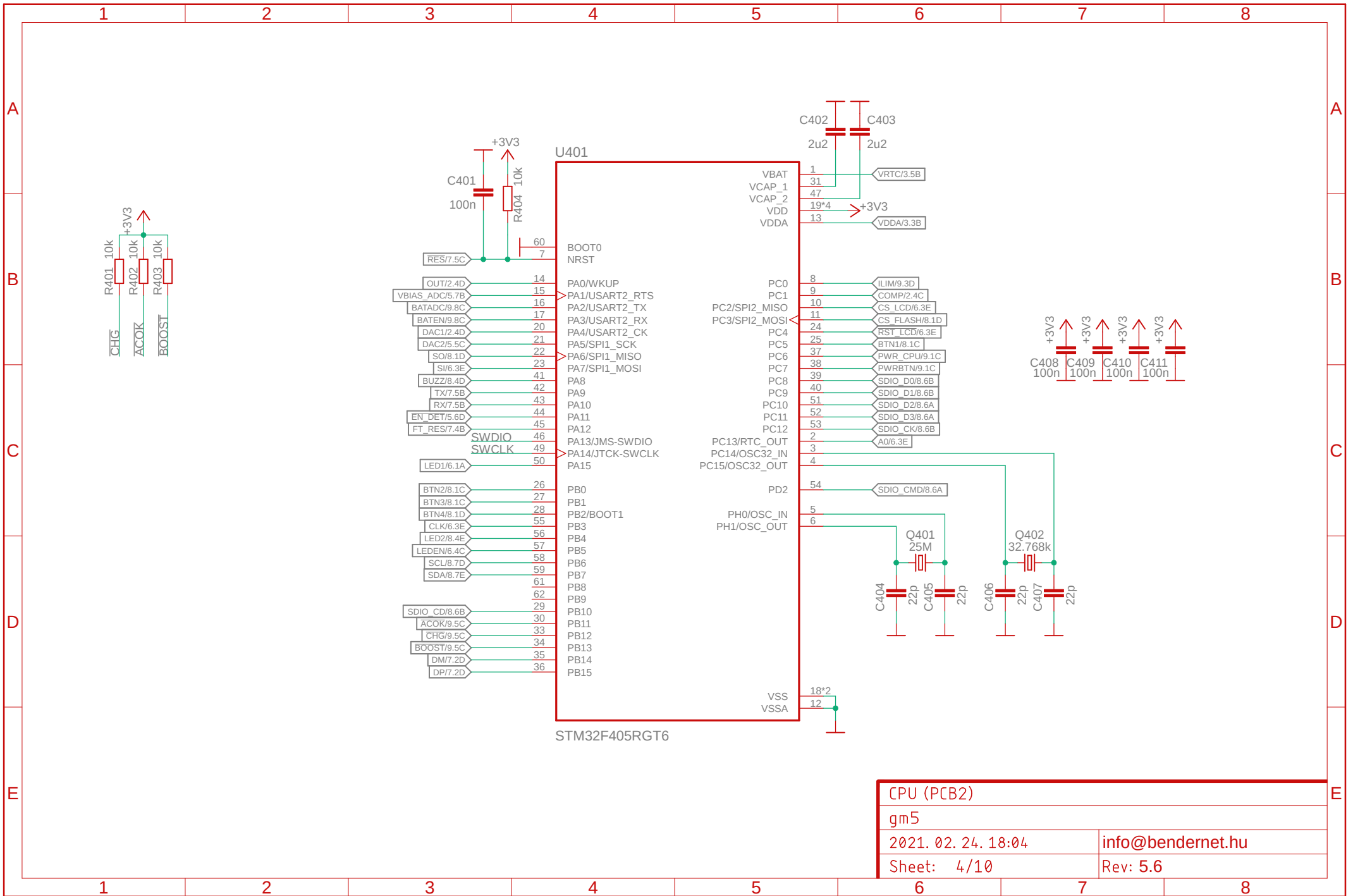
Input amplifier (PCB1)	
gm5	
2021. 02. 24. 18:04	info@bendernet.hu
Sheet: 1/10	Rev: 5.6



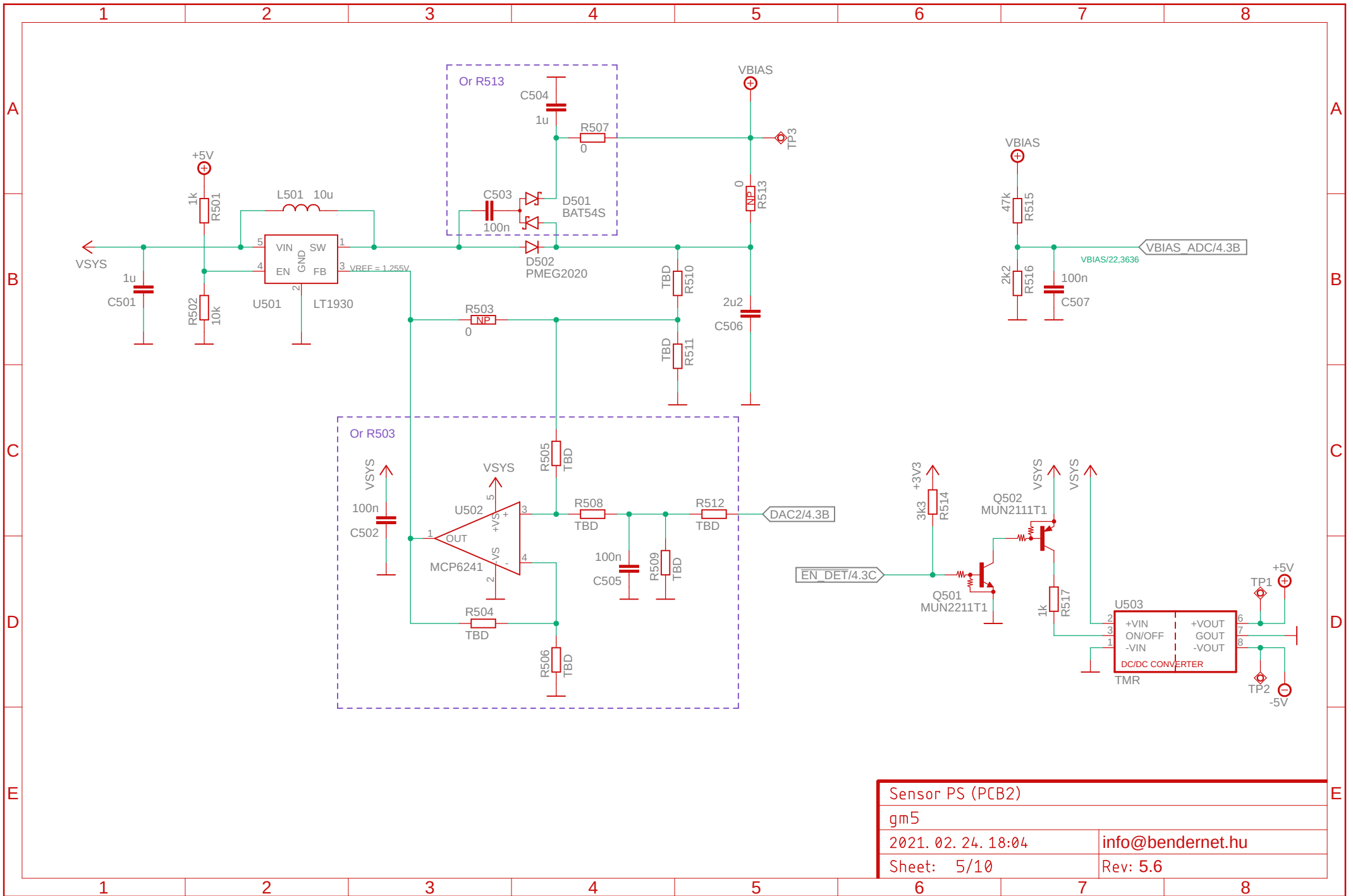
Connectors (PCB2)	
gm5	
2021. 02. 24. 18:04	info@bendernet.hu
Sheet: 2/10	Rev: 5.6



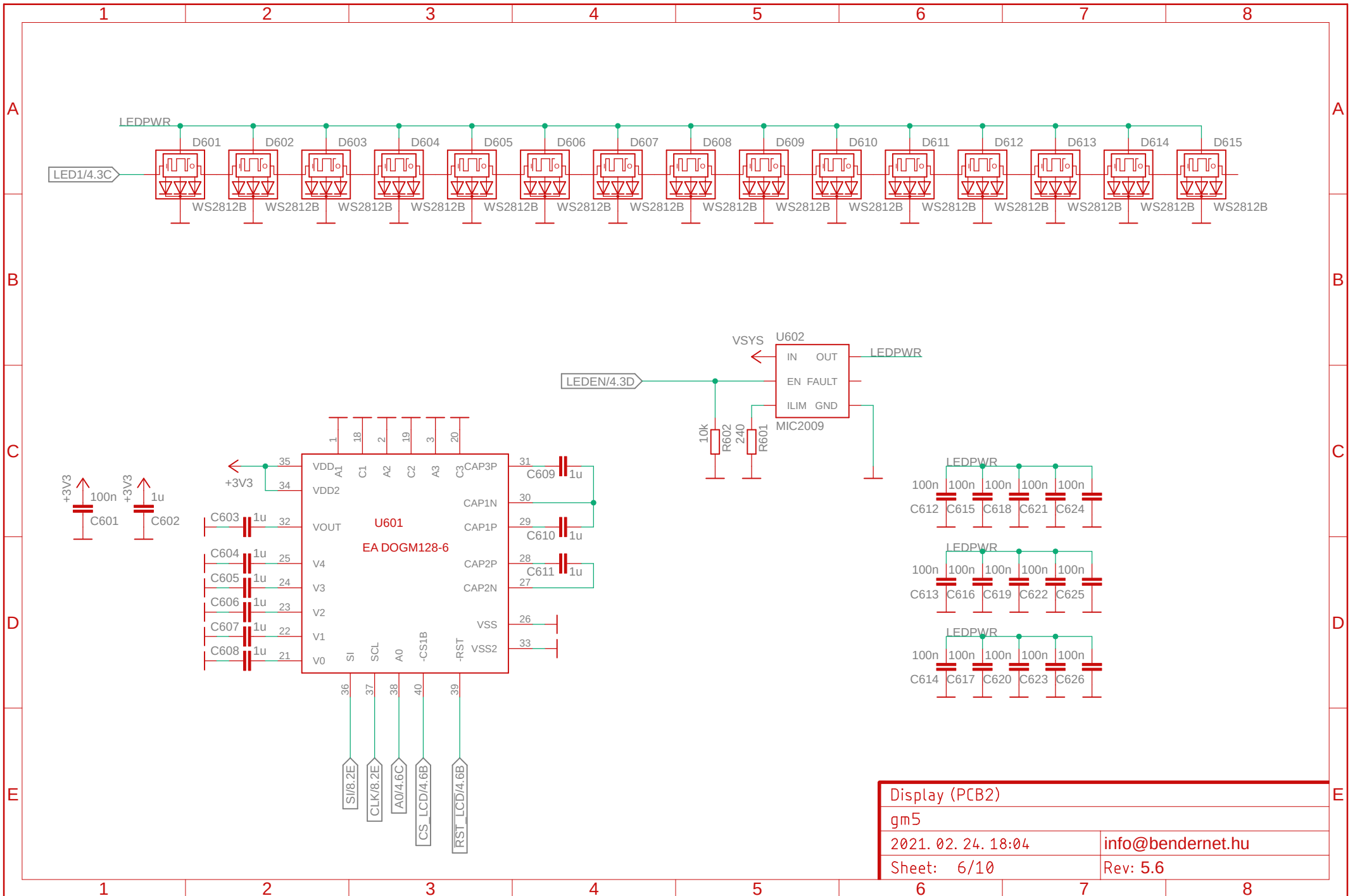
CPU PS (PCB2)	
gm5	
2021. 02. 24. 18:04	info@bendernet.hu
Sheet: 3/10	Rev: 5.6



CPU (PCB2)	
gm5	
2021. 02. 24. 18:04	info@bendernet.hu
Sheet: 4/10	Rev: 5.6



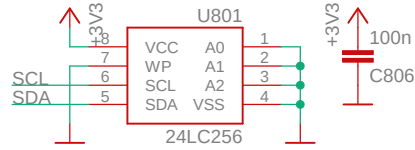
Sensor PS (PCB2)	
gm5	
2021. 02. 24. 18:04	info@bendernet.hu
Sheet: 5/10	Rev: 5.6



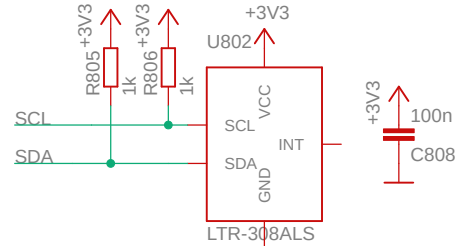
Display (PCB2)	
gm5	
2021. 02. 24. 18:04	info@bendernet.hu
Sheet: 6/10	Rev: 5.6



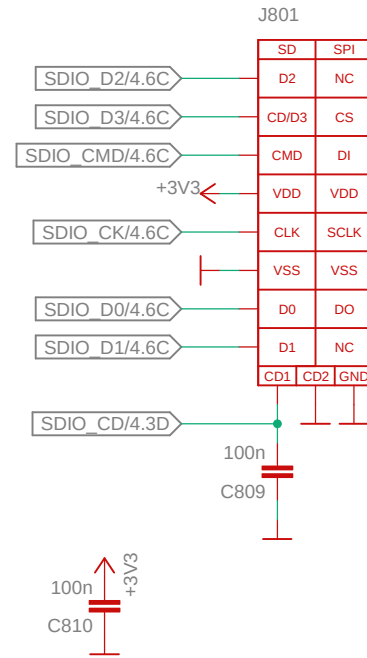
### EEPROM



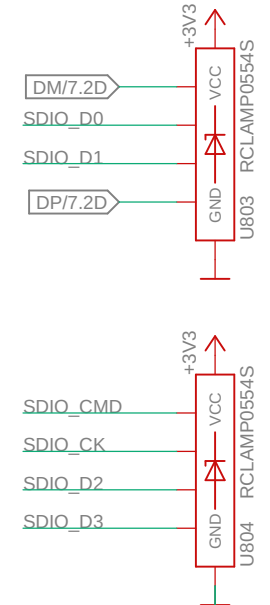
### Ambient Light Sensor



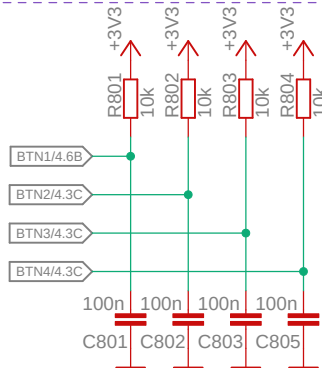
### SD Card



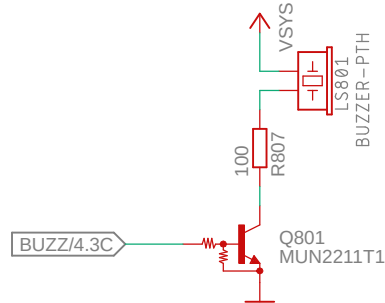
### ESD Protect



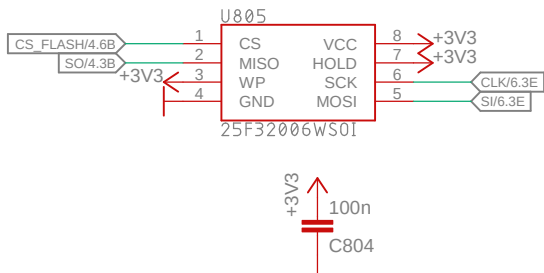
### Buttons



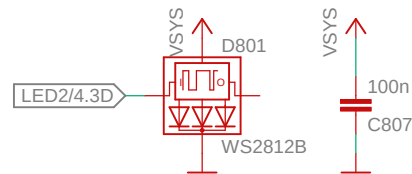
### Beeper



### SPI Flash



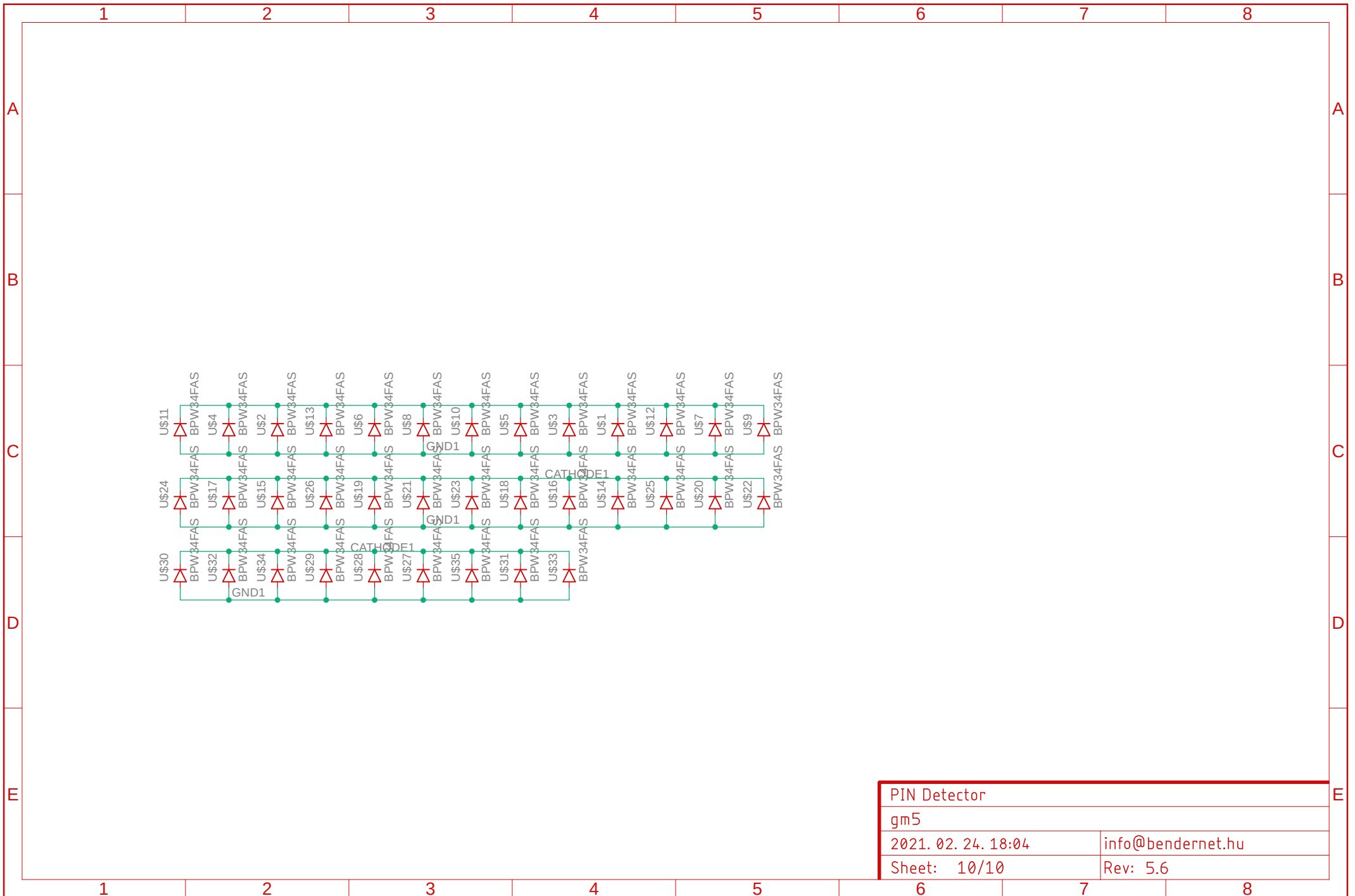
### Status LED



Periph (PCB2)	
gm5	
2021. 02. 24. 18:04	info@bendernet.hu
Sheet: 8/10	Rev: 5.6







PIN Detector	
gm5	
2021. 02. 24. 18:04	info@bendernet.hu
Sheet: 10/10	Rev: 5.6