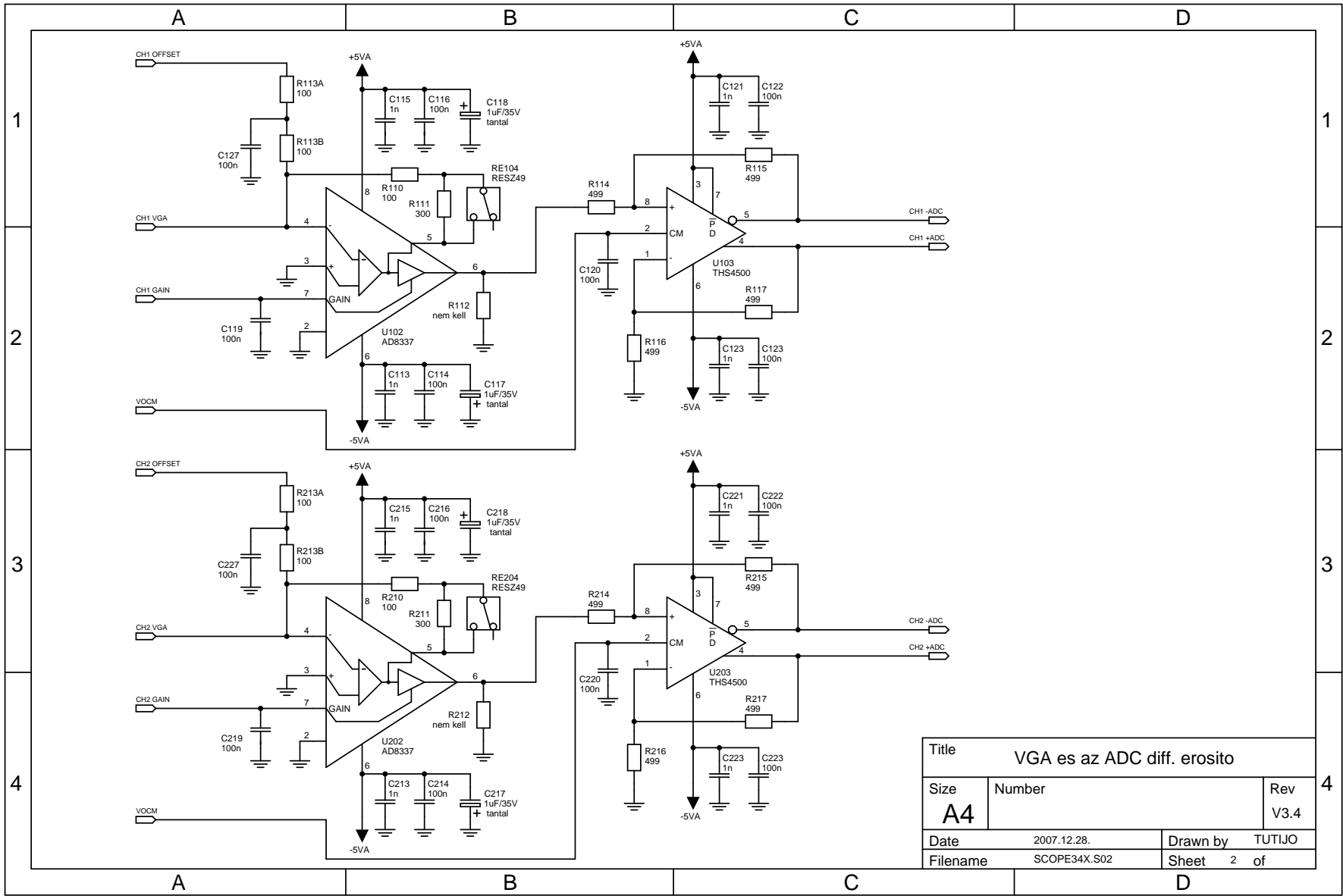
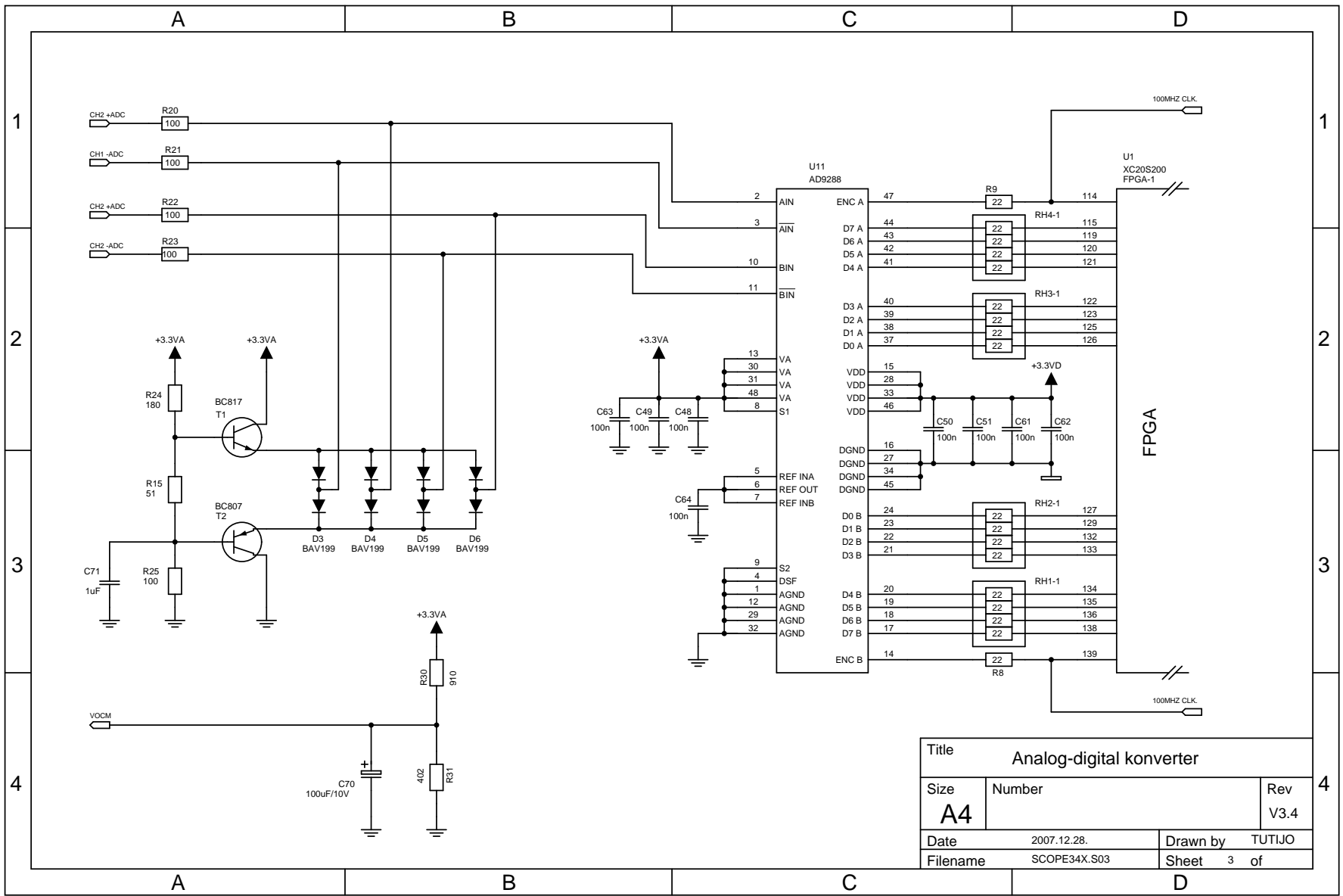


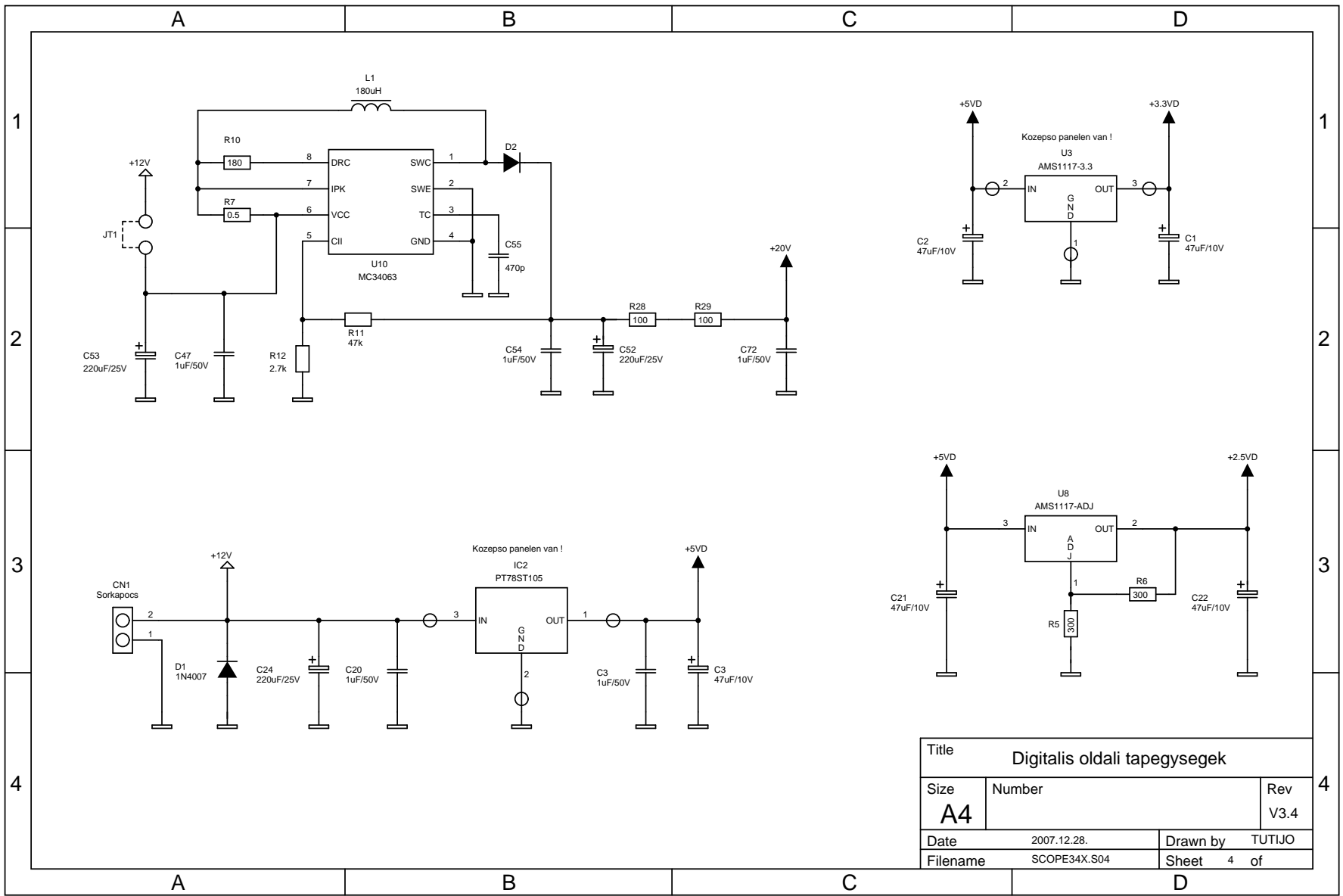
Title			Bemeneti fozokat		
Size	Number		Rev		4
A4			V3.4		
Date	2007.12.28.		Drawn by		TUTIJO
Filename	SCOPE34X.S01		Sheet		1 of



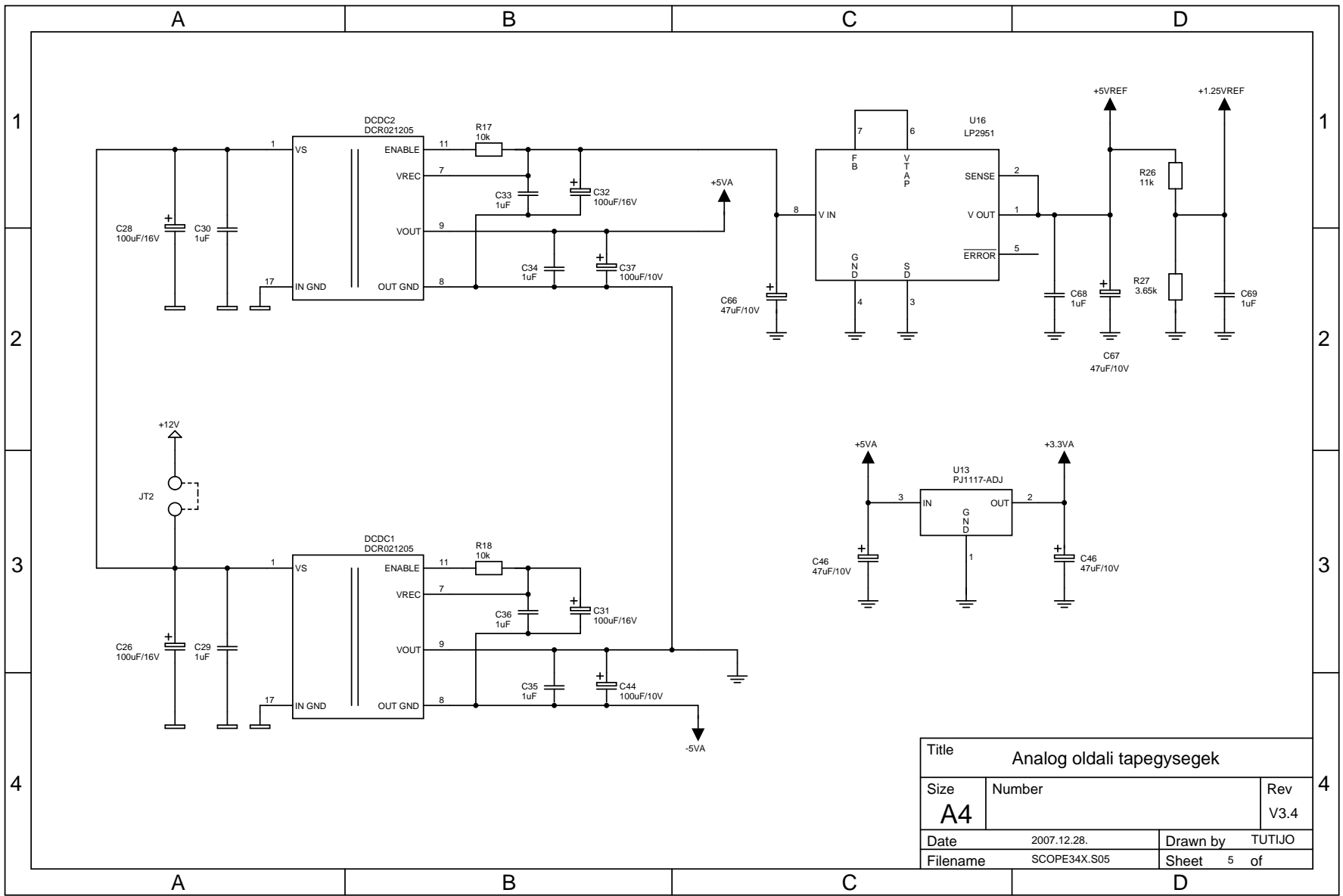
Title		
VGA es az ADC diff. erositó		
Size	Number	Rev
A4		V3.4
Date	2007.12.28.	Drawn by TUTIJO
Filename	SCOPE34X.S02	Sheet 2 of



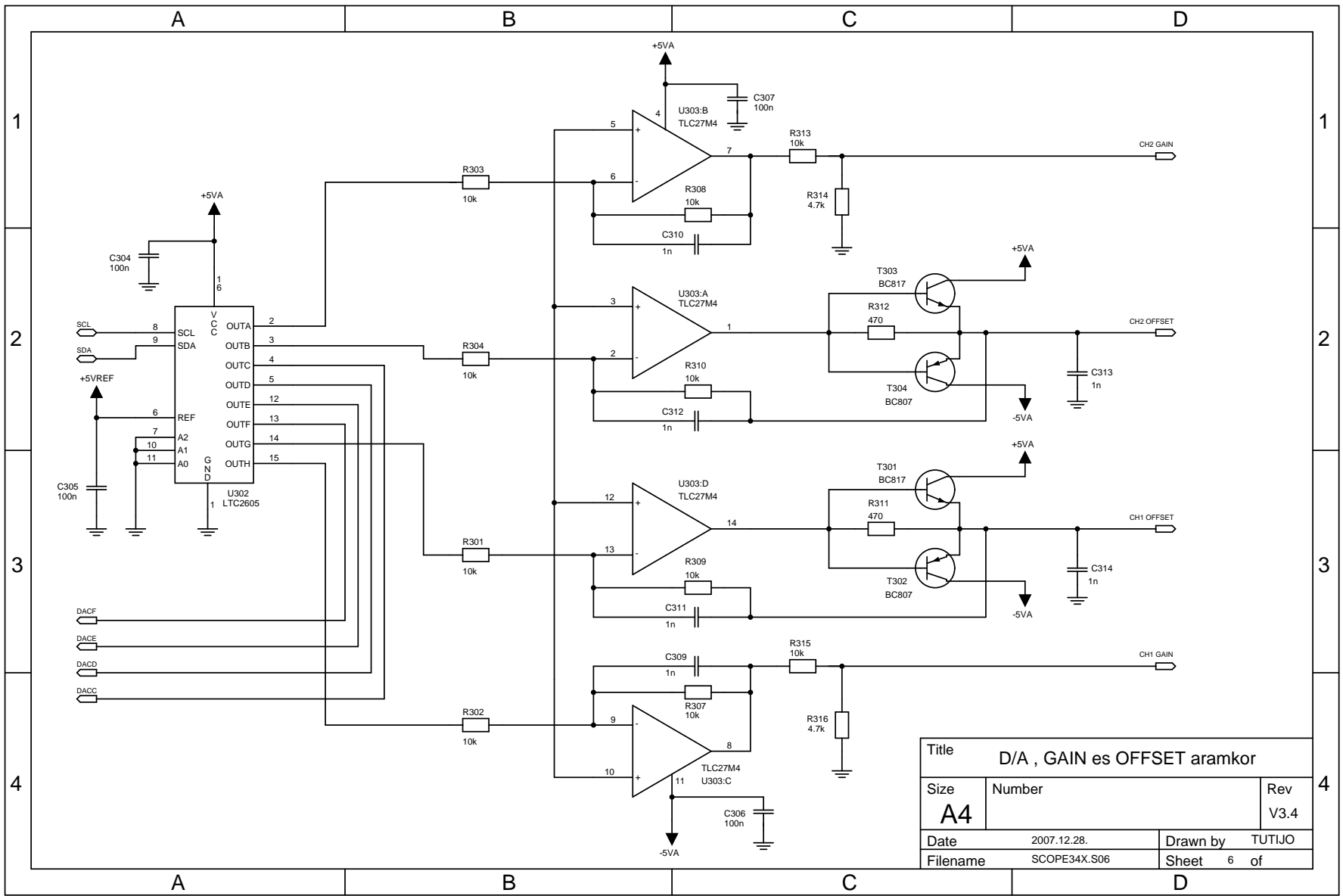
Title		
Analog-digital konverter		
Size	Number	Rev
A4		V3.4
Date	2007.12.28.	Drawn by TUTIJO
Filename	SCOPE34X.S03	Sheet 3 of



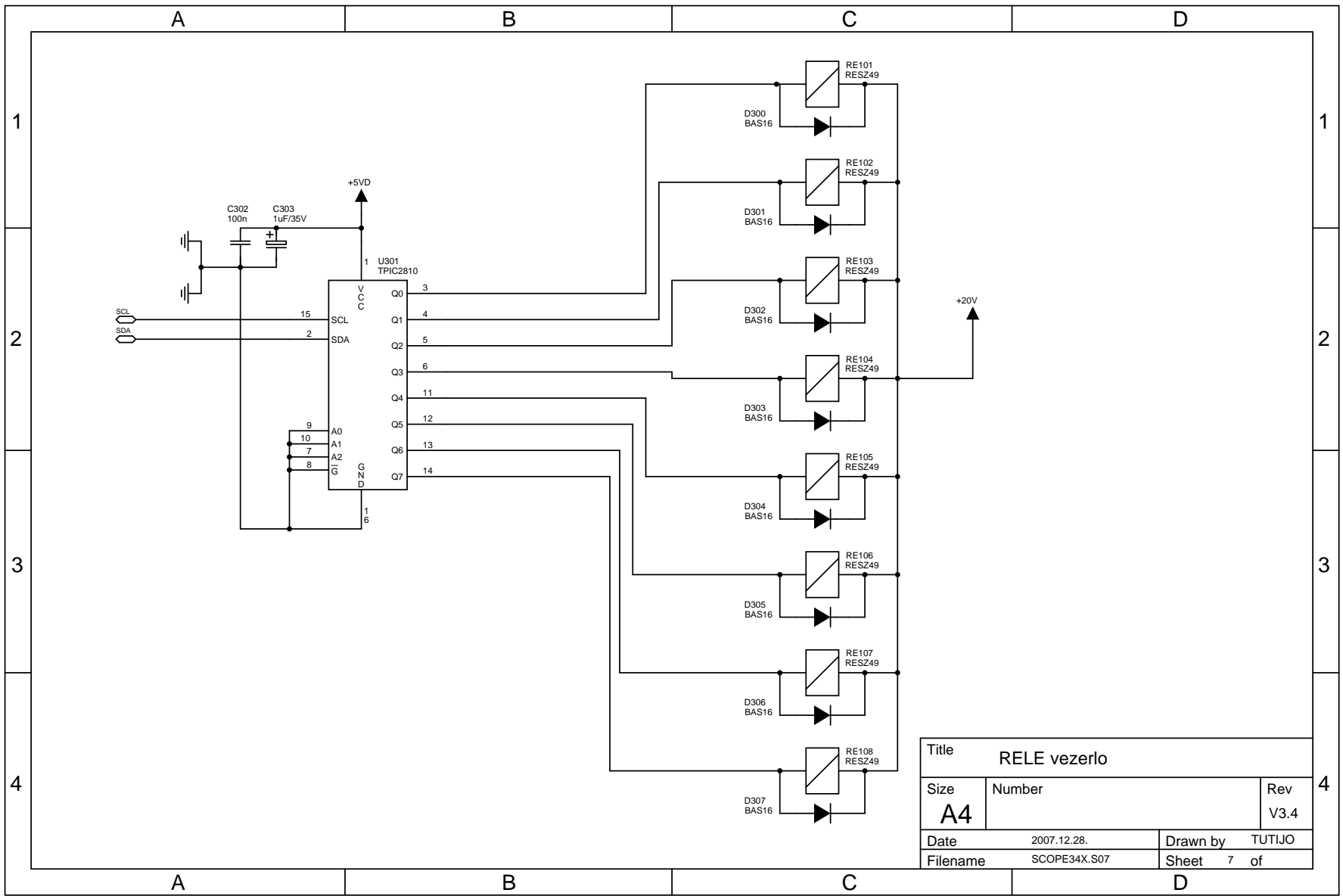
Title		
Digitalis oldali tapegysegek		
Size	Number	Rev
A4		V3.4
Date	2007.12.28.	Drawn by TUTIJO
Filename	SCOPE34X.S04	Sheet 4 of



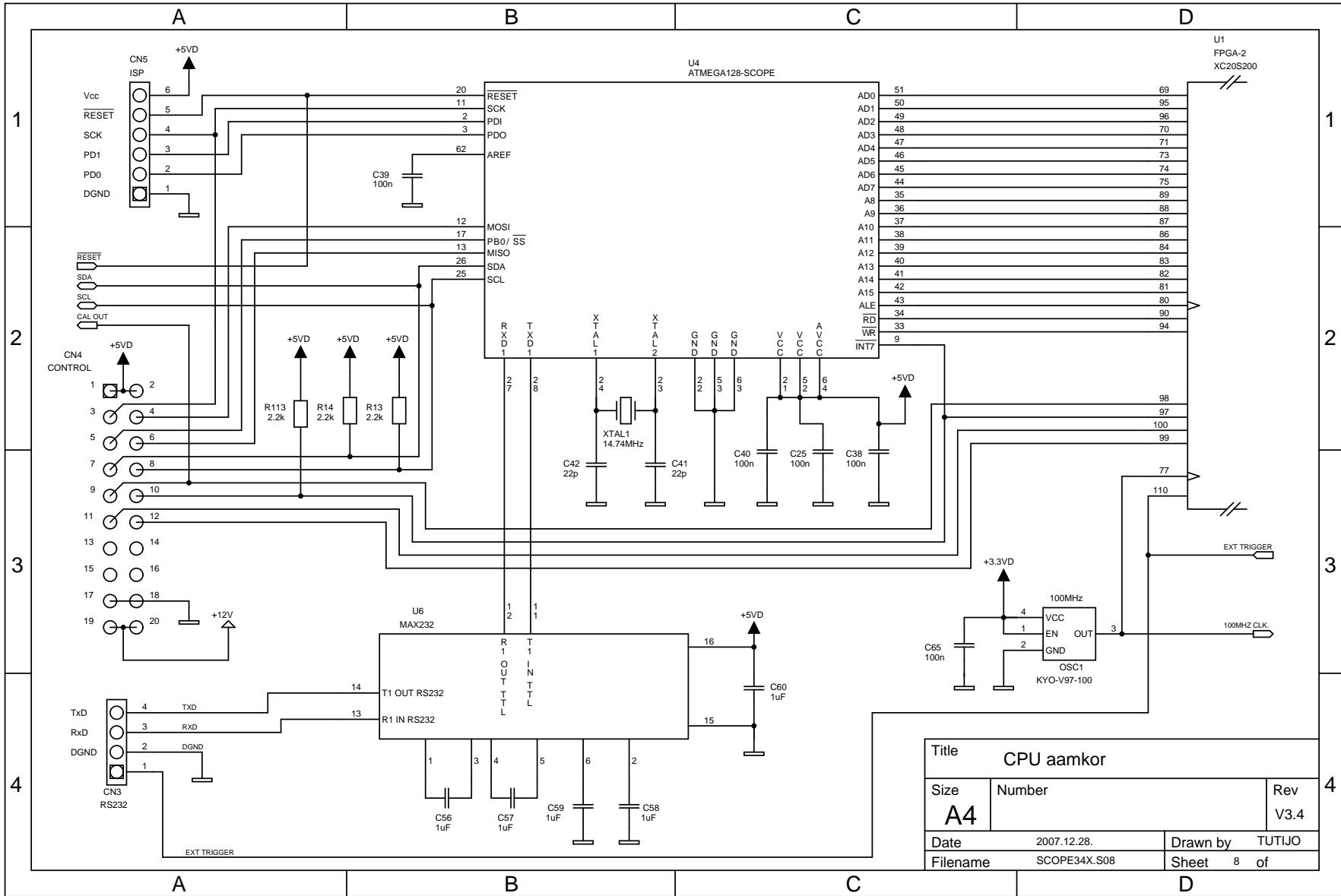
Title		
Analog oldali tapegysegek		
Size	Number	Rev
A4		V3.4
Date	2007.12.28.	Drawn by TUTIJO
Filename	SCOPE34X.S05	Sheet 5 of



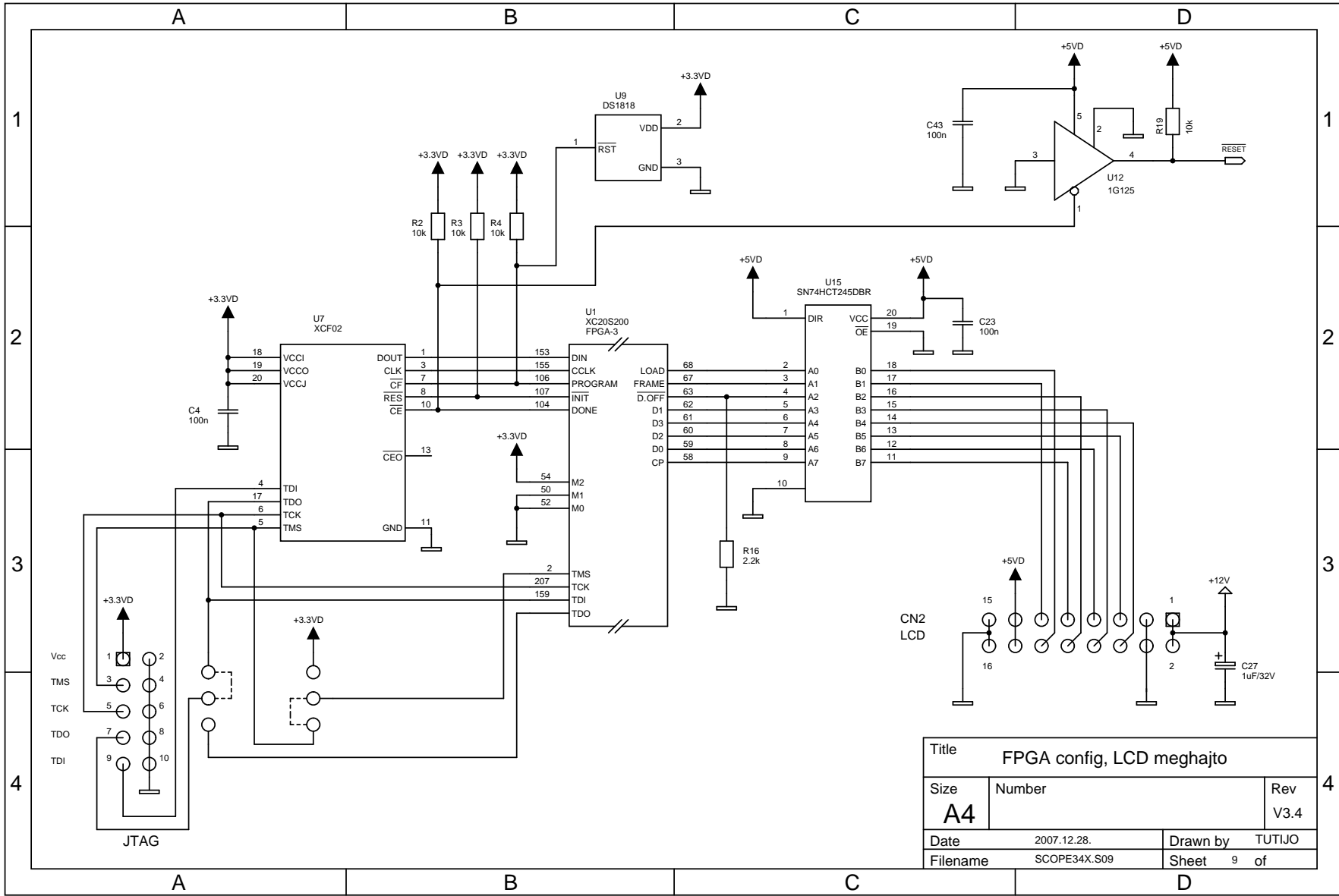
Title		
D/A , GAIN es OFFSET aramkor		
Size	Number	Rev
A4		V3.4
Date	2007.12.28.	Drawn by TUTIJO
Filename	SCOPE34X.S06	Sheet 6 of



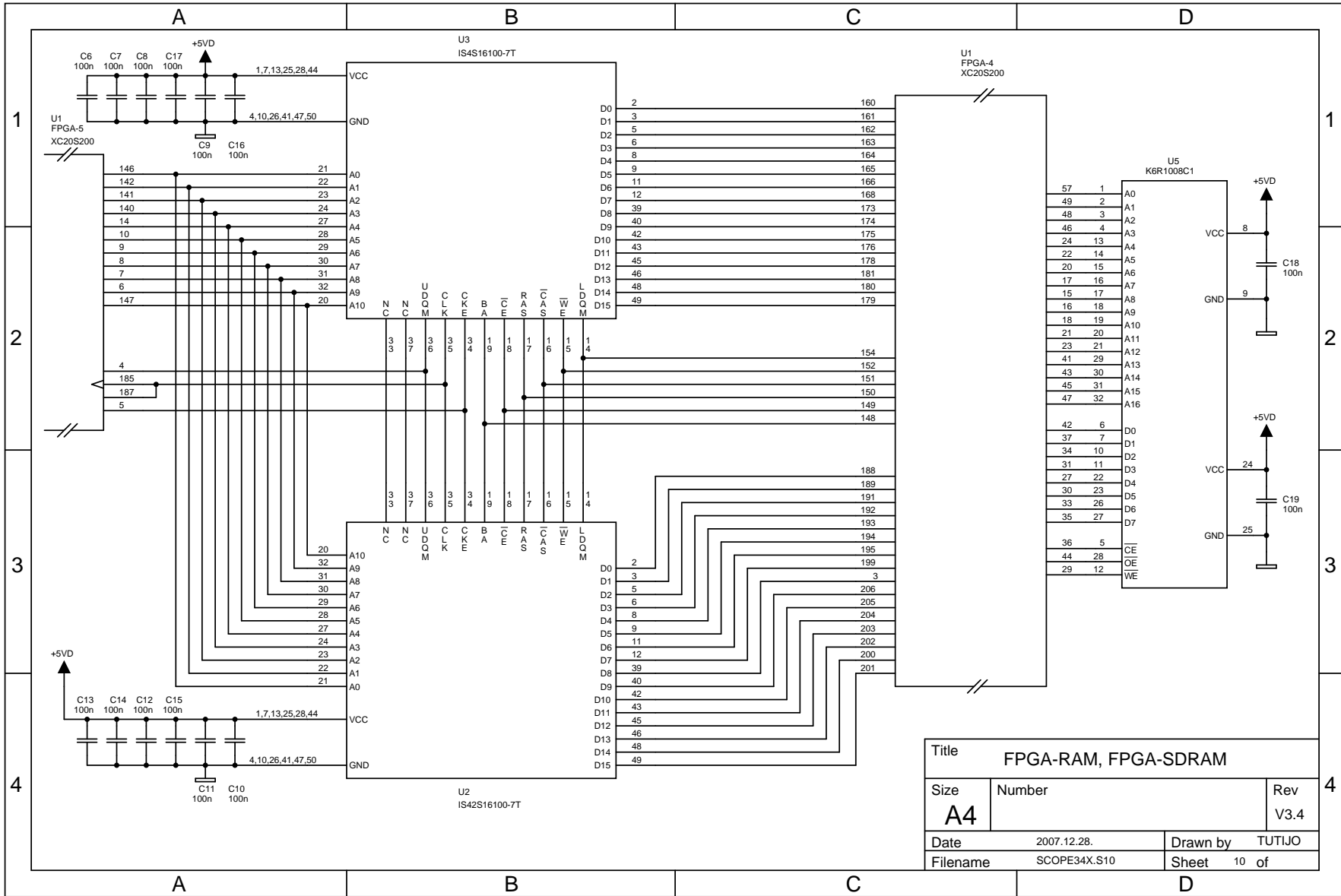
Title			RELE vezerlo		
Size	Number		Rev		4
A4			V3.4		
Date	2007.12.28.		Drawn by		TUTIJO
Filename	SCOPE34X.S07		Sheet		7 of



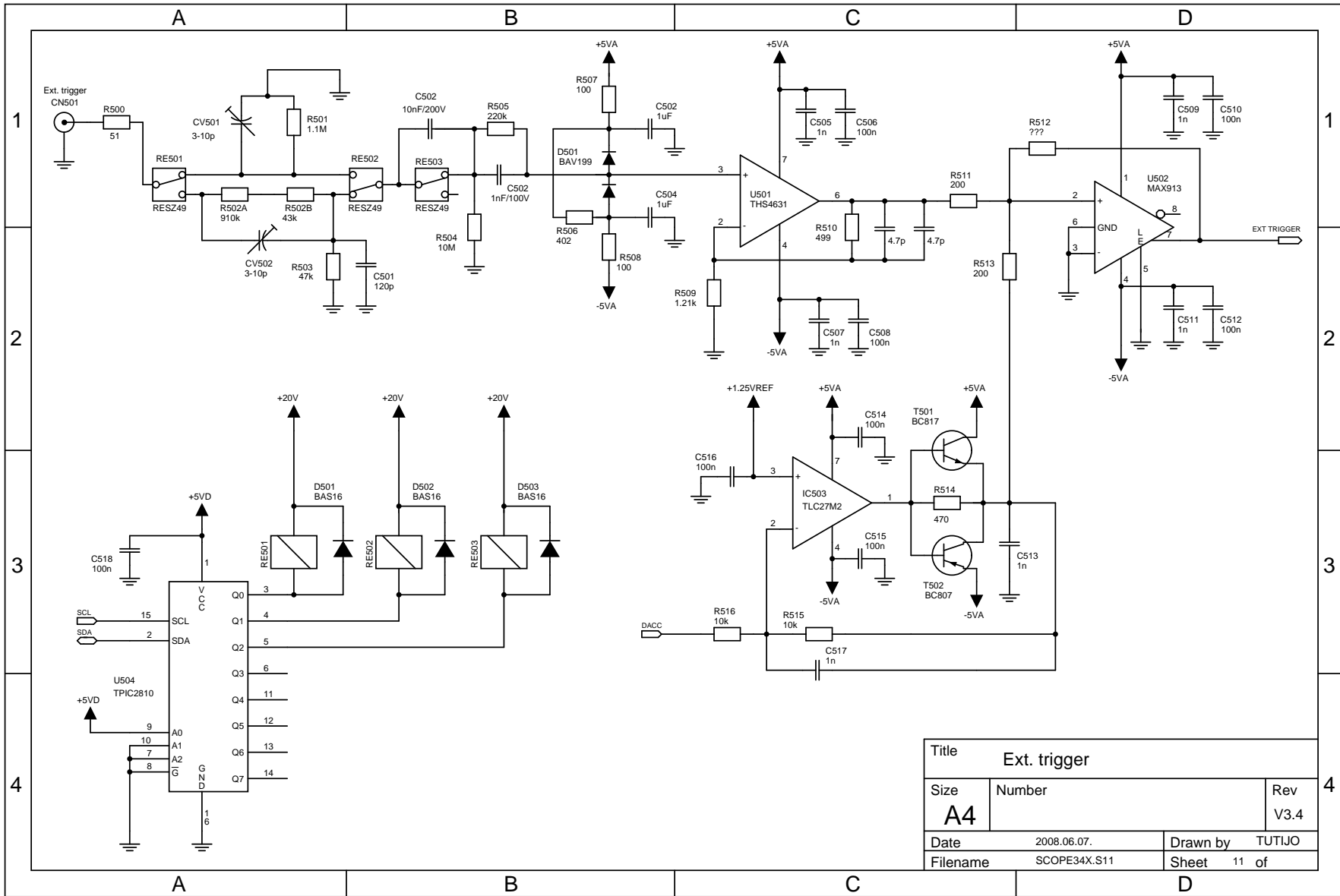
Title		
CPU aamkor		
Size	Number	Rev
A4		V3.4
Date	2007.12.28.	Drawn by TUTIJO
Filename	SCOPE34X.S08	Sheet 8 of



Title		
FPGA config, LCD meghajto		
Size	Number	Rev
A4		V3.4
Date	2007.12.28.	Drawn by TUTIJO
Filename	SCOPE34X.S09	Sheet 9 of



Title		
FPGA-RAM, FPGA-SDRAM		
Size	Number	Rev
A4		V3.4
Date	2007.12.28.	Drawn by TUTIJO
Filename	SCOPE34X.S10	Sheet 10 of



Title		
Ext. trigger		
Size	Number	Rev
A4		V3.4
Date	2008.06.07.	Drawn by TUTIJO
Filename	SCOPE34X.S11	Sheet 11 of