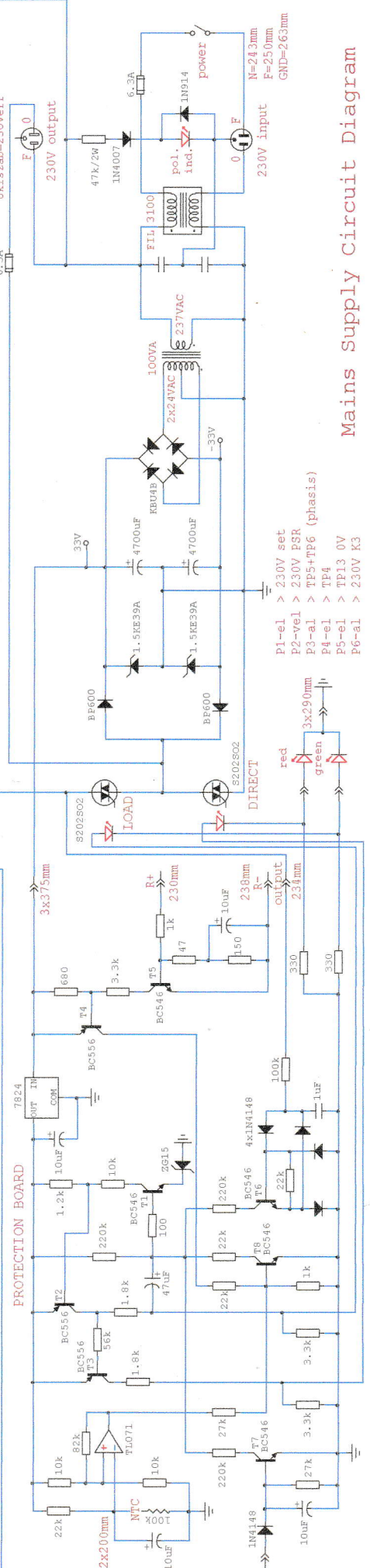
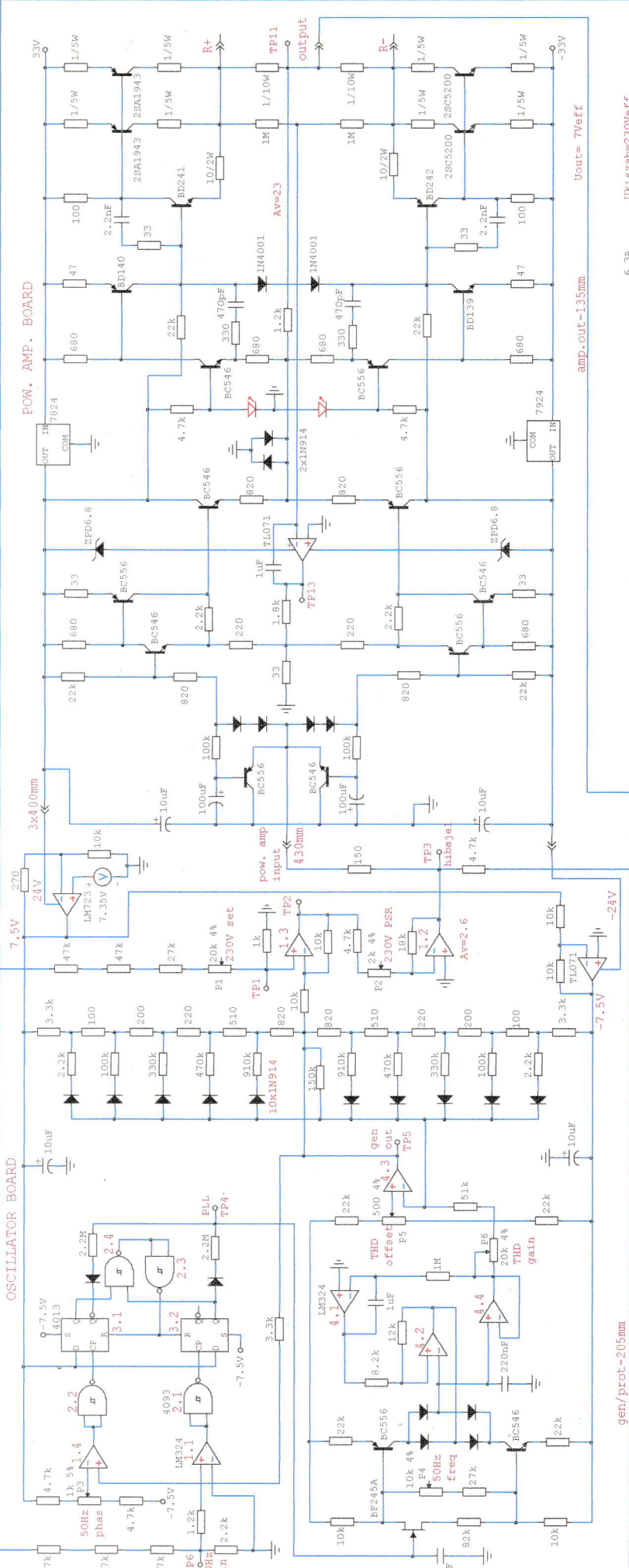


TP6=10.6Vpp  
 TP5=10.0Vpp  
 TP1=5.0Vpp  
 TP2=500mVpp  
 TP3=1.3Vpp  
 Ube=237Veff  
 TP11=max30Vpp



Mains supply Circuit Diagram

- P1-el > 230V set
- P2-vel > 230V PSR
- P3-al > TP5+TP6 (phasis)
- P4-el > TP4
- P5-el > TP13 0V
- P6-al > 230V K3

red  
 green  
 3x290mm  
 DIRECT

amp.out=135mm

Uout= 7Veff

gen/prot=205mm

PROTECTION BOARD

POW. AMP. BOARD

OSCILLATOR BOARD