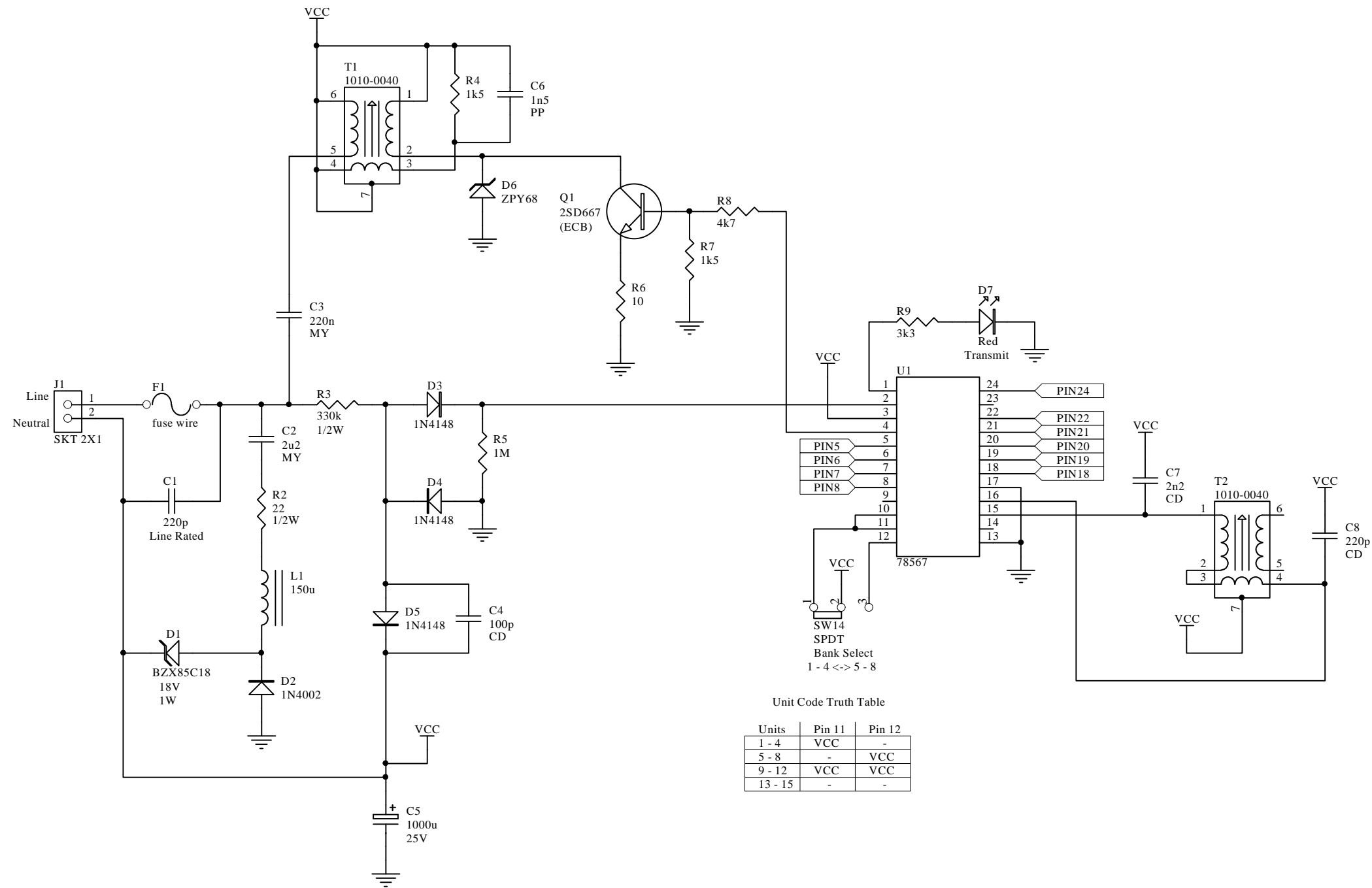


This document and the data disclosed herein or herewith is not to be reproduced, used, or disclosed in whole or in part to anyone without the written permission of X-10 (USA).

Rev	Description	Date	Approved



Unit Code Truth Table

Units	Pin 11	Pin 12
1 - 4	VCC	-
5 - 8	-	VCC
9 - 12	VCC	VCC
13 - 15	-	-

Transmitter

X-10 (USA) 15200 52nd Ave. S.
Seattle, WA
206-241-3283

Title: Mini Controller		
Size: B	Drawing Number: MC-460	Revision: 02
Date: 9-Jun-1998	Drawn by: m.a.c.	Sheet 2 of 2
File: M:\ADVSCH3\X-10\MC460-22.SCH		