

This document and the data disclosed herein or herewith is not to be reproduced, used, or disclosed in whole or in part to anyone without the written permission of X-10 (USA).

Rev	Description	Date	Approved
00	Initial capture	11/26/94	
01	Redrawn	4/14/98	
02	Added additional D1 information	6/9/98	

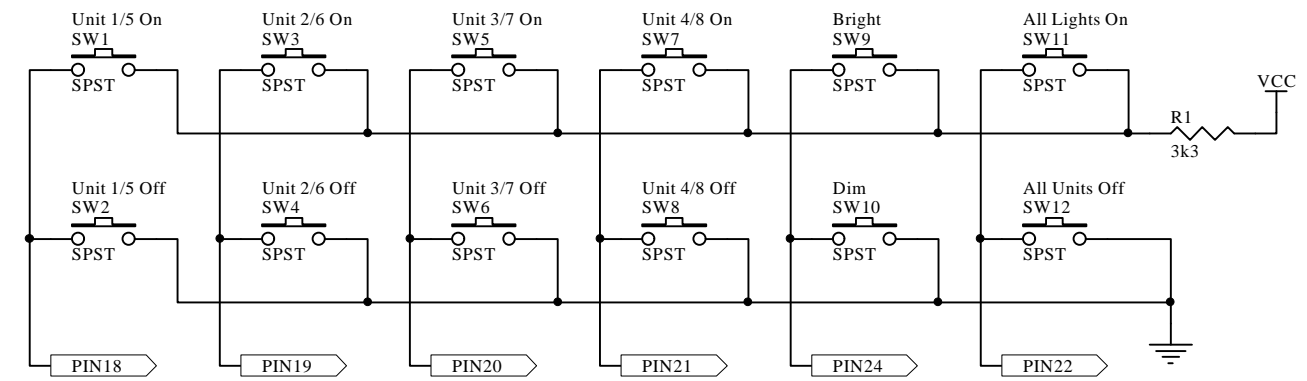
UNLESS OTHERWISE NOTED:

- 1.0 All resistor values are expressed in Ohms.
- 1.1 All resistors are 1/4 Watt types with their tolerance and material coded into their value.

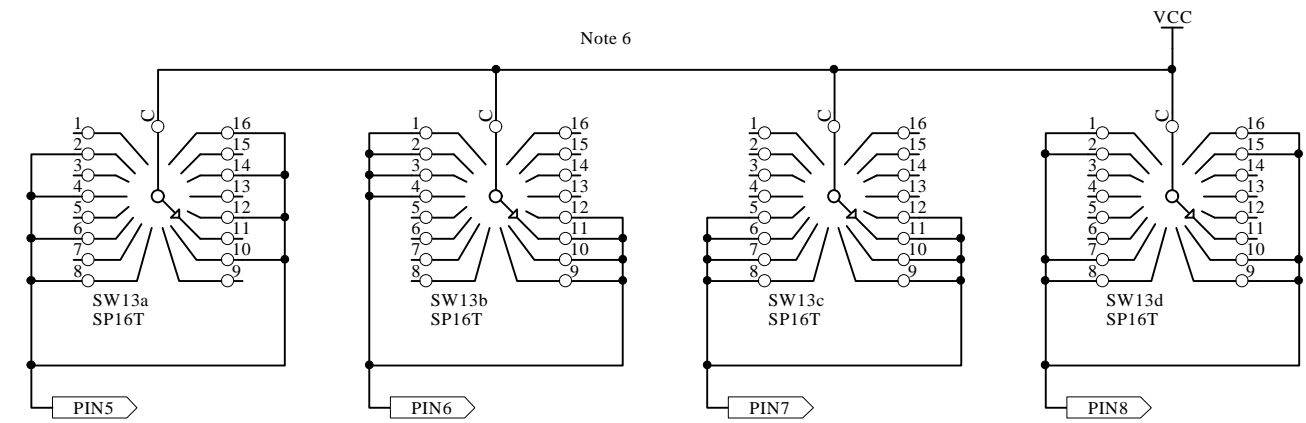
VALUE	1%, Metal Film	5%, Carbon Film
0 Ohm to 0.99 Ohms	0R to 0R976	0R to 0R91
1 Ohm to 99 Ohms	1R00 to 97R6	1R0 to 91R
100 Ohms to 999 Ohms	100R0 to 976R0	100R to 910R
1k Ohm to 9k9 Ohms	1k00 to 9k76	1k0 to 9k1
10k Ohms to 99k Ohms	10k0 to 97k6	10k to 91k
100k Ohms to 999k Ohms	100k0 to 976k0	100k to 910k
1M Ohm to 99M Ohms	1M00 to 97M6	1M0 to 91M

- 2. All resistor networks are 2%, 1/8 Watt types with their values expressed in Ohms.
- 3.0 All capacitor values are expressed in Farads
- 3.1 All 100n bypass capacitors are 20%, 50 Volt, Z5U, Ceramic Monolythic types.
- 3.2 All non-electrolytic capacitors are 10%, 50 Volt, X7R, Ceramic Monolythic types.
- 3.3 All NPO capacitors are 5%, 50 Volt, Ceramic Monolythic types.
- 3.4 All MY capacitors are 5%, 50 Volt, Metalized Polyester types.
- 3.5 All PP capacitors are 5%, 50 Volt, Metalized Polypropylene types.
- 3.6 All PC capacitors are 5%, 50 Volt, Metalized Polycarbonate types.
- 3.7 All electrolytic capacitors are 20%, 16 Volt (or higher), Aluminum Electrolyte types.
- 3.8 All TA capacitors are 20%, 16 Volt (or higher), Tantalum Electrolyte types.
- 4. All net names preceded by / are active low signals.
- 5. VCC = 17.5 Vdc (measured across C5)
- 6. SW13 is actually a 16 position switch with 4 wipers.
- 7. The Line and Neutral designations are arbitrary as the power cord is not polarized.

Command Switches



House Code Switch



Transmitter
MC460-22.SCH

PIN5
PIN6
PIN7
PIN8
PIN18
PIN19
PIN20
PIN21
PIN22
PIN24

X-10 (USA)		15200 52nd Ave. S. Seattle, WA 206-241-3283
Title: Mini Controller		
Size: B	Drawing Number: MC460	Revision: 02
Date: 9-Jun-1998	Drawn by: m.a.c.	Sheet 1 of 2
File: M:\ADV SCH3\X-10\MC460-12.PRJ		