

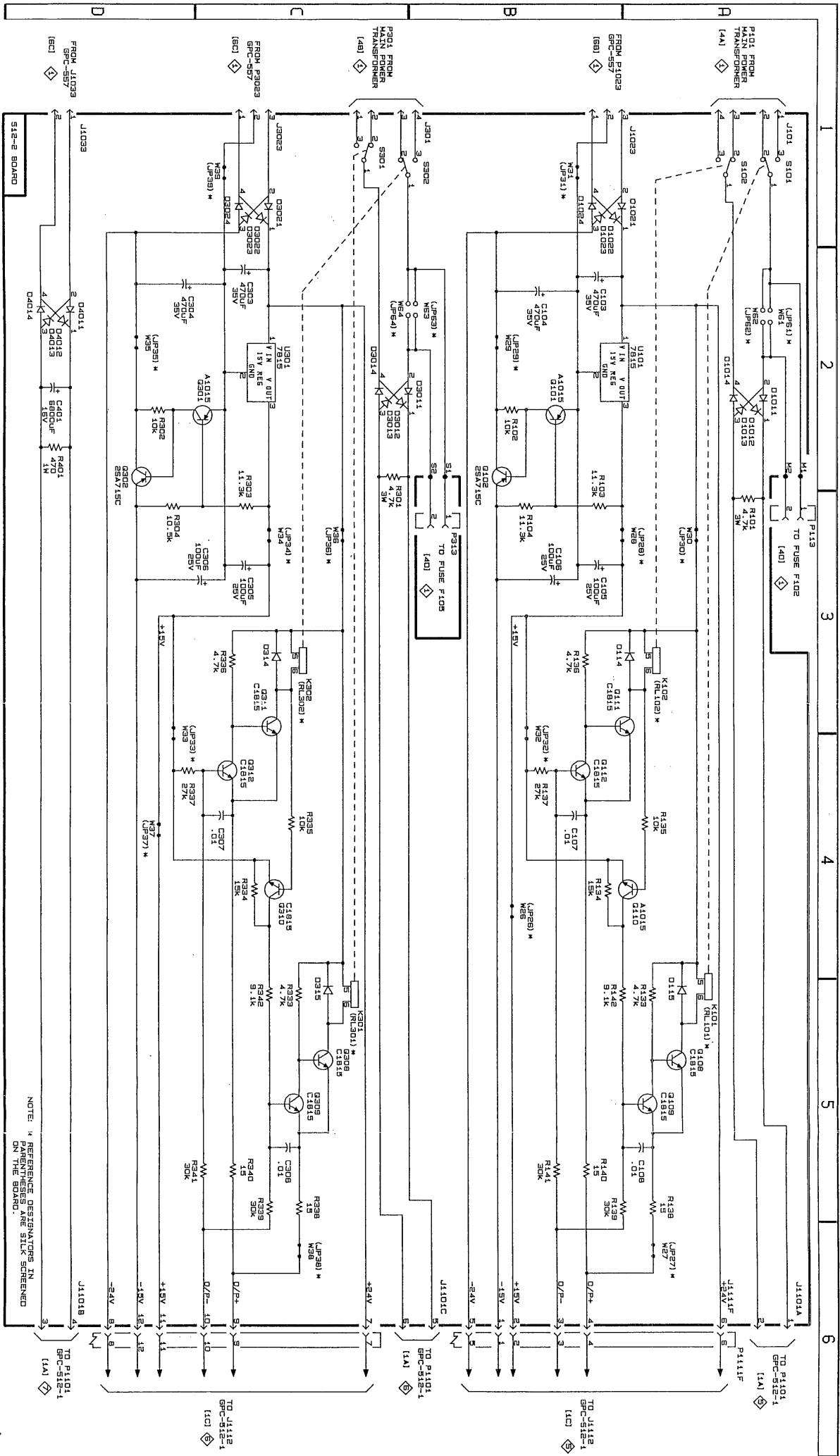
PS 280

REV AUG 1991

AC INPUT TRANSFORMER & FUSE BOARD

NOTE: * REFERENCE DESIGNATORS IN
ON THE BOARD





PS280

REV AUG 1991

MAIN/AUXILIARY RECTIFIER & FILTER

NOTE: * REFERENCE DESIGNATORS IN PARENTHESES ARE SILK SCREENED ON THE BOARD.



FROM J1023
GPC-557
(6C)

FROM P1023
GPC-557
(6C)

POINT FROM
MAIN POWER
TRANSFORMER
(4B)

FROM P1023
GPC-557
(6B)

P101 FROM
TRANSFORMER
(4A)

TO J1101
GPC-512-1
(1A)

TO J1112
GPC-512-1
(1C)

TO J1112
GPC-512-1
(1C)

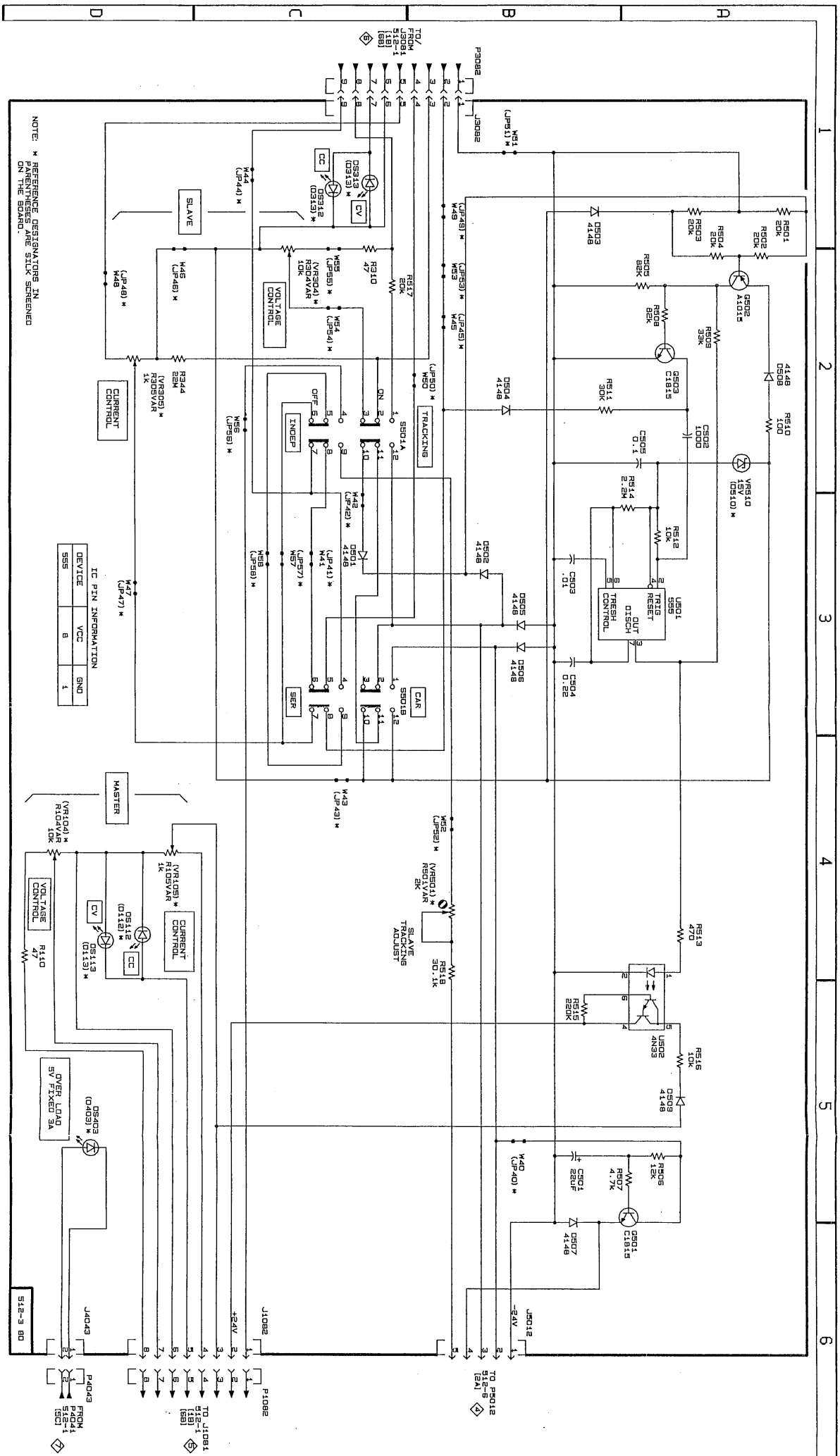
2

3

4

5

6



NOTE: * REFERENCE DESIGNATORS IN PARENTHESES ARE SICK SCREENED ON THE BOARD.

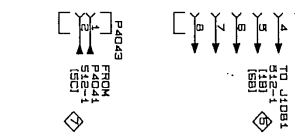
IC PIN INFORMATION

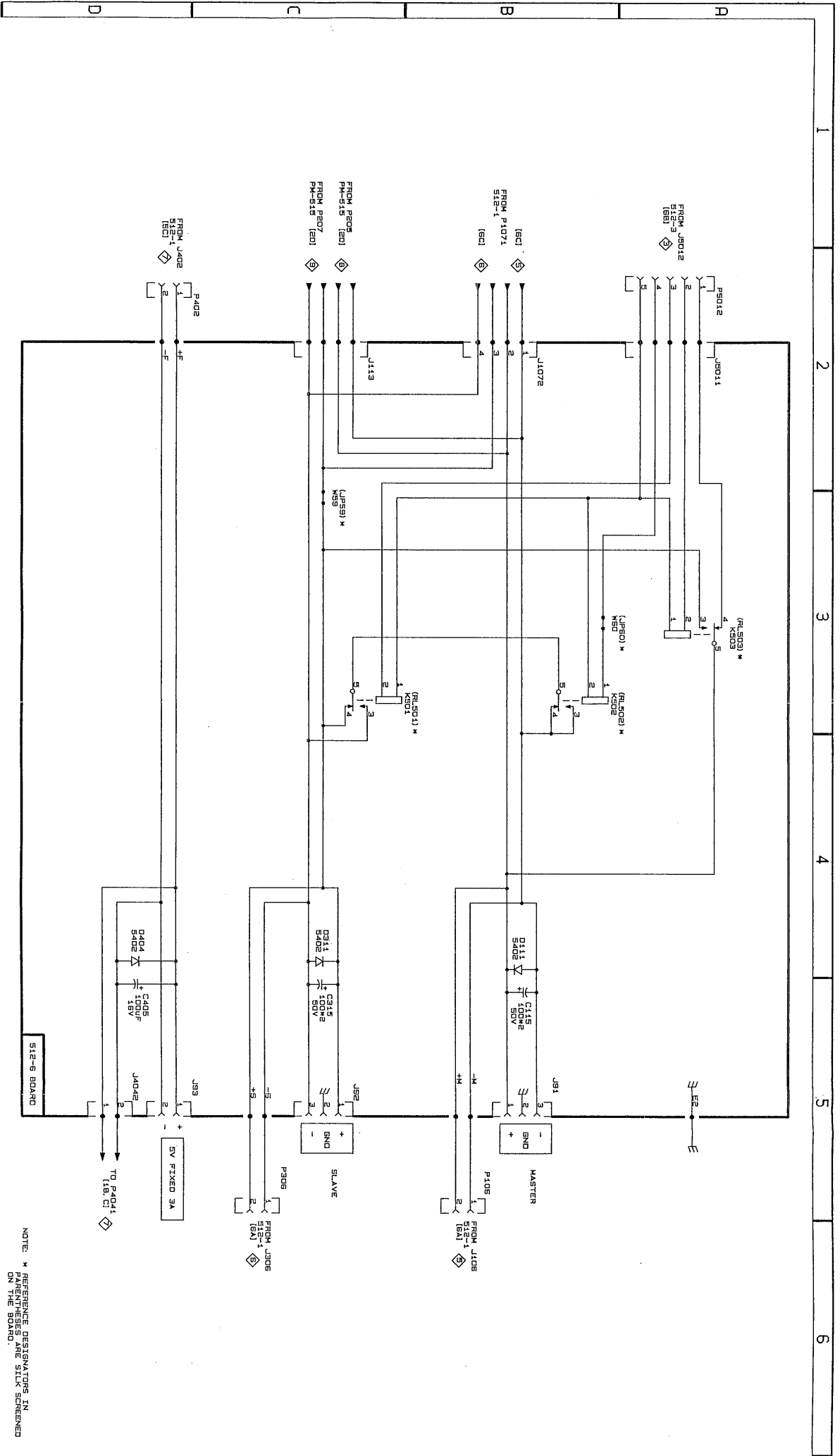
DEVICE	VCC	GND
5555	8	1

PS280

REV AUG 1991

VOLTAGE/CURRENT CONTROL & TRACKING CONTROL





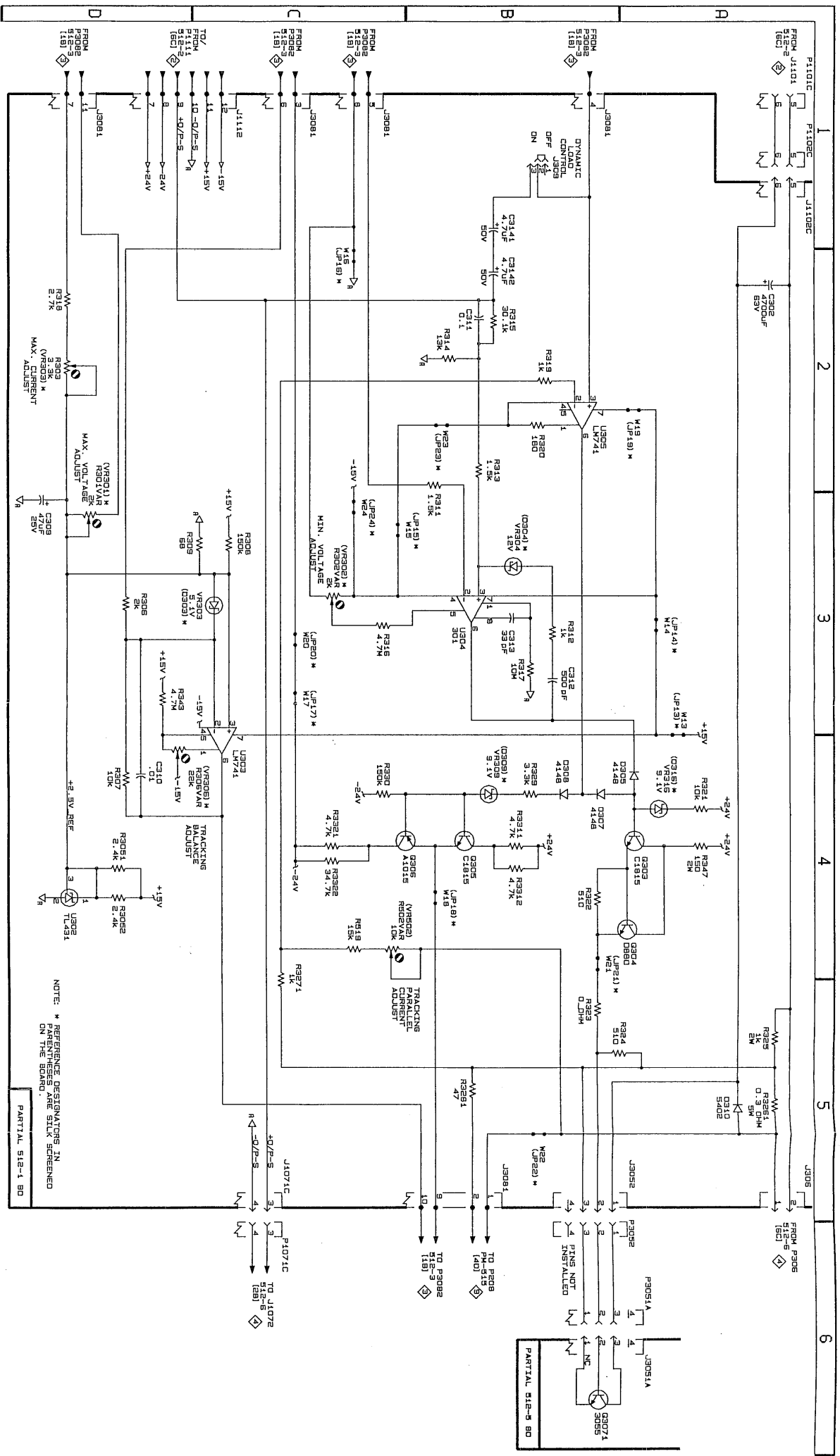
PS280

REV AUG 1991

OUTPUTS MASTER, SLAVE & 5 VOLT 3 AMP

NOTE: * REFERENCE DESIGNATORS IN PARENTHESES ARE SILK SCREENED ON THE BOARD.



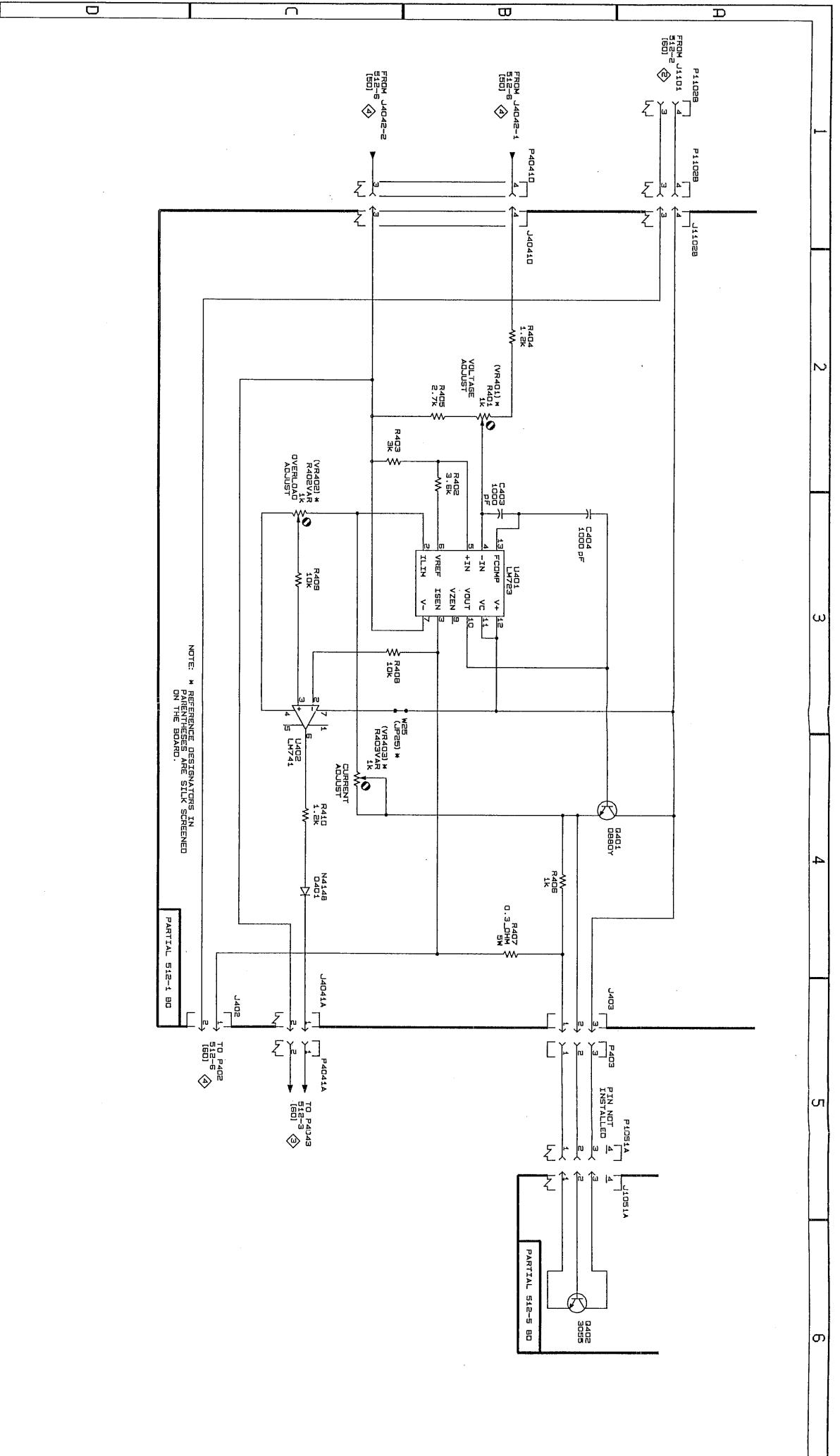


PS280

REV AUG 1991

SLAVE VOLTAGE/CURRENT





NOTE: * REFERENCE DESIGNATORS IN
 ANGLED BRACKETS ARE SILK SCREENED
 ON THE BOARD.

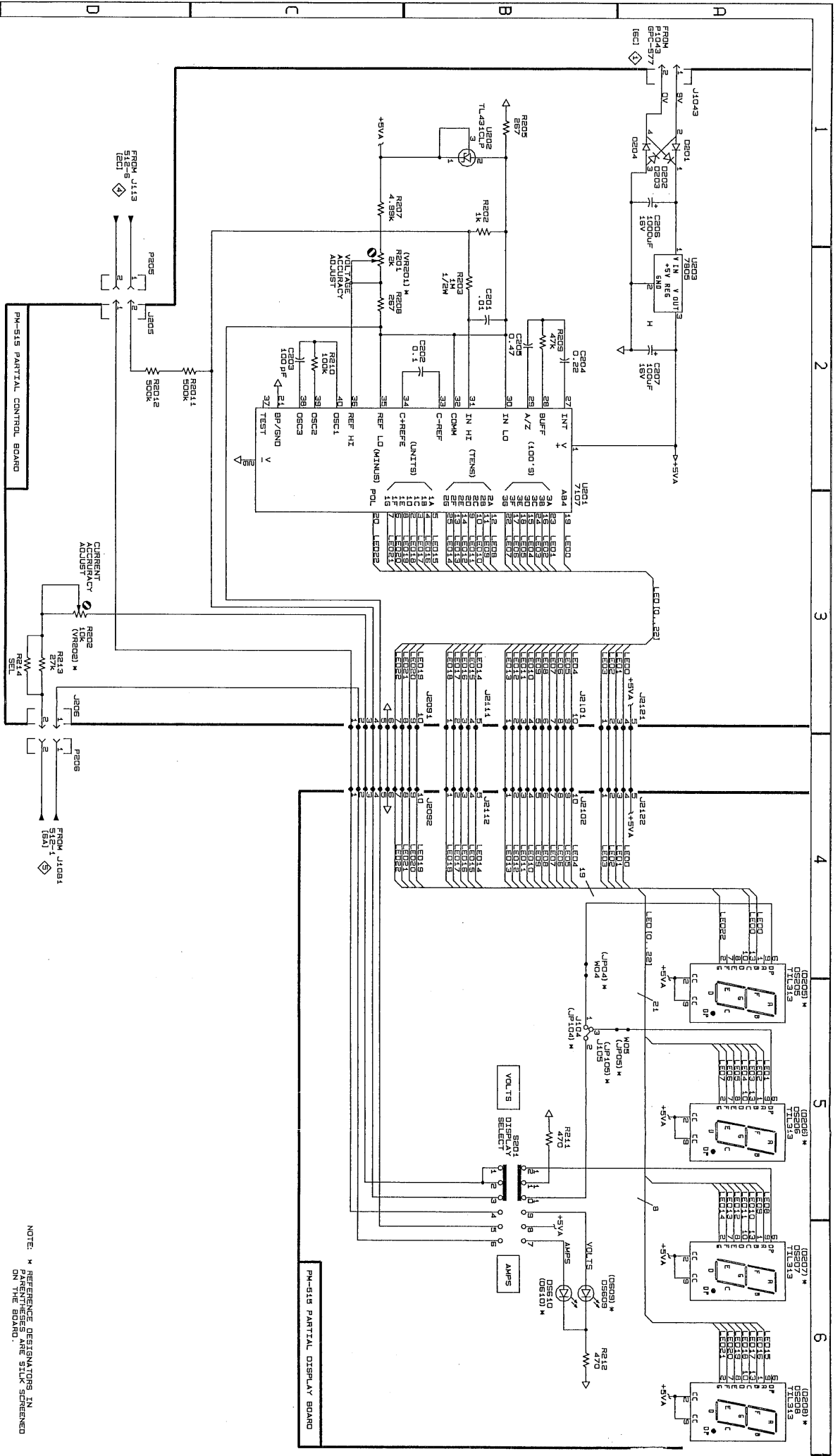
PARTIAL 512-1 BD

PARTIAL 512-5 BD

PS280

+5 VOLT FIXED





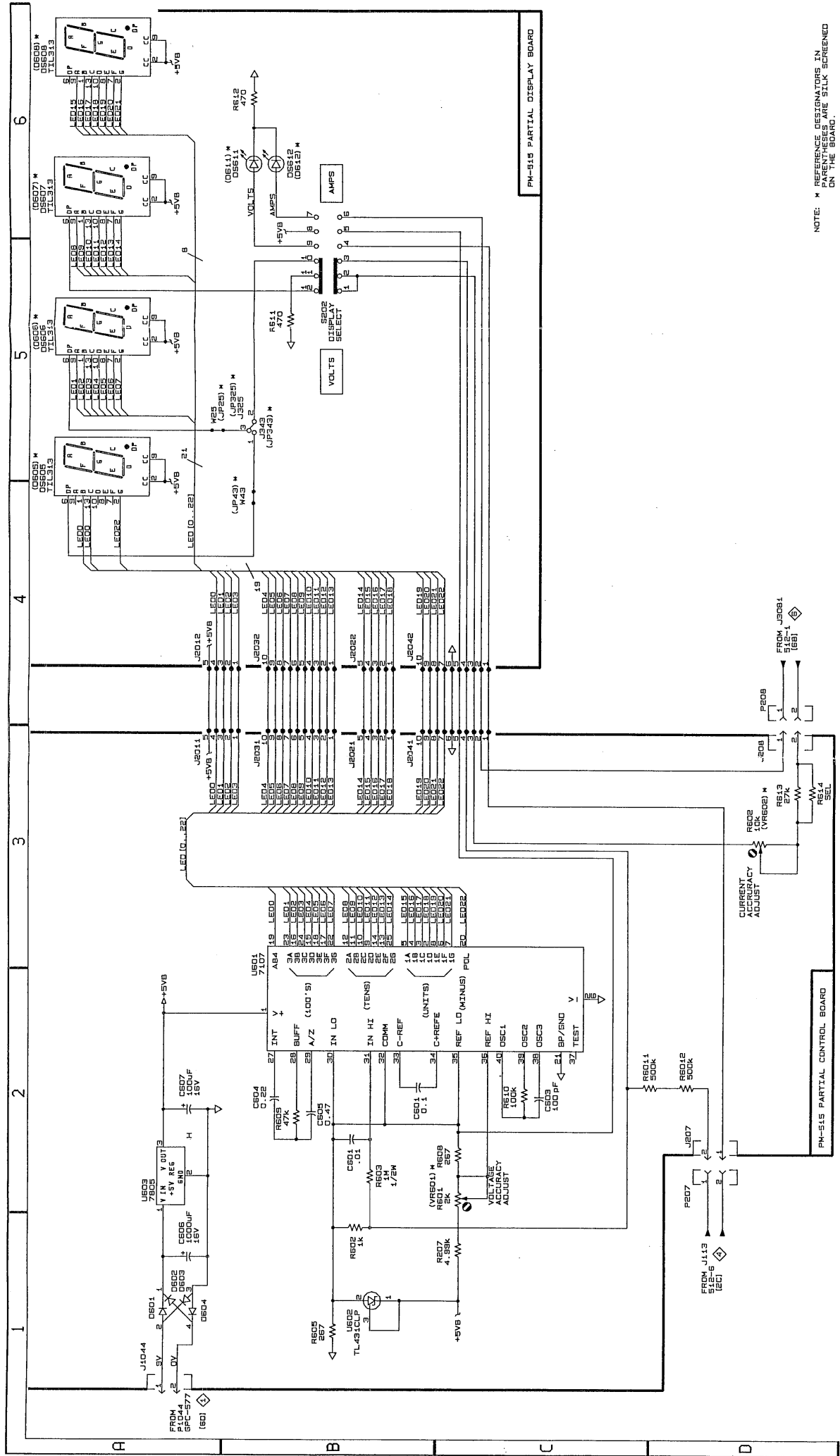
PS 280

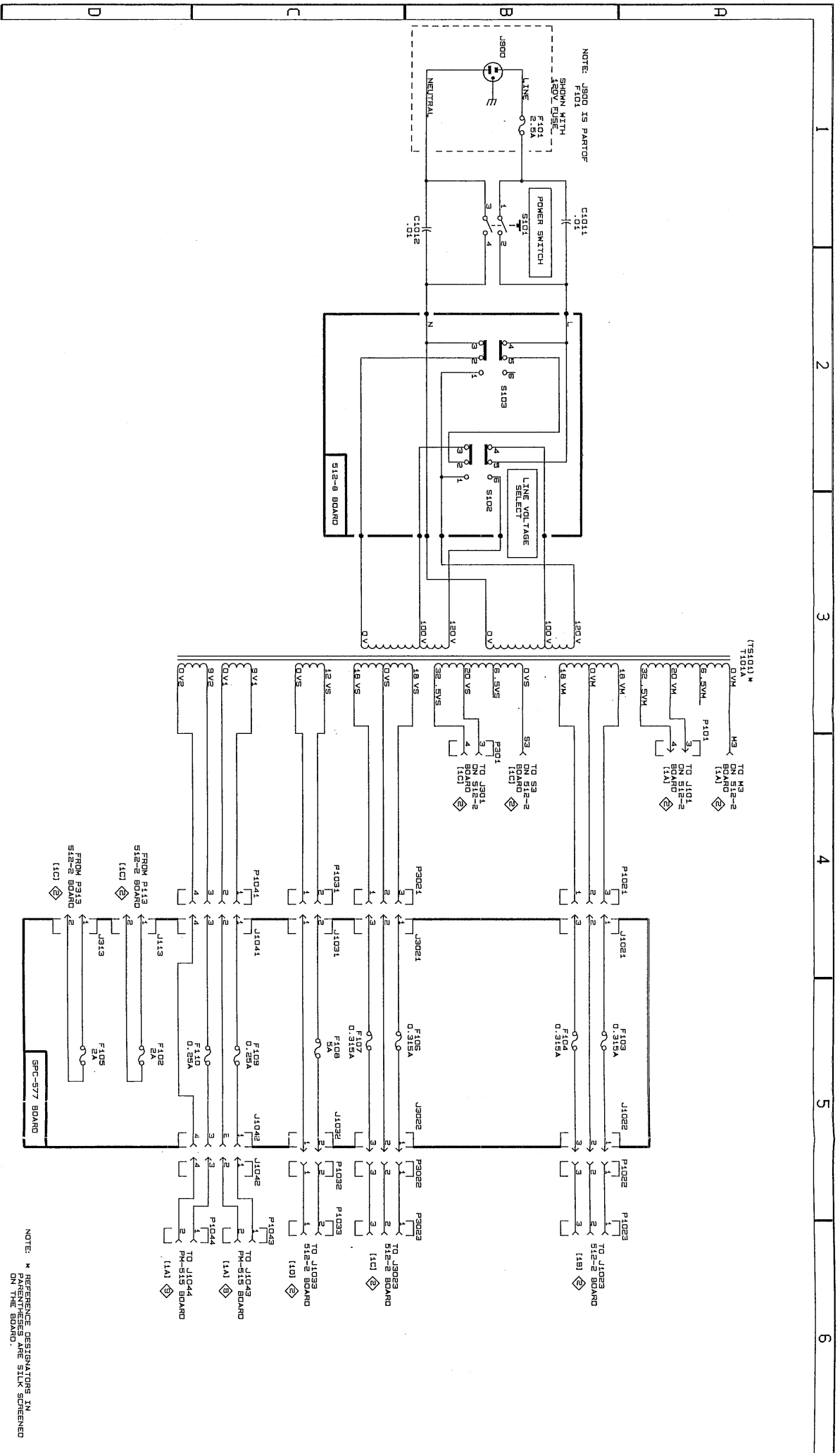
REV. AUG. 1981

MASTER DIGITAL METER

NOTE: * REFERENCE DESIGNATORS IN PARENTHESES ARE SILK SCREENED ON THE BOARD.







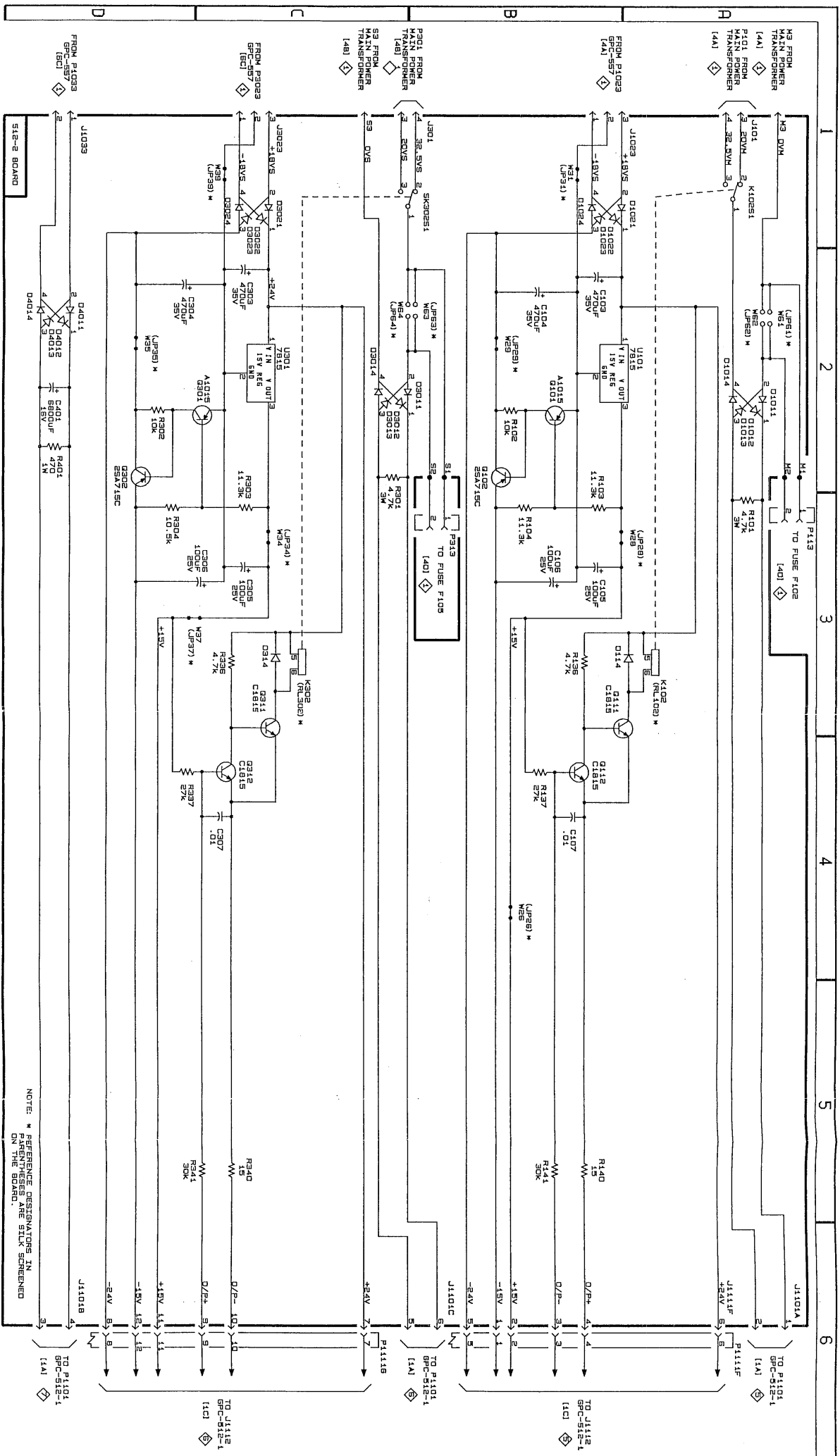
PS 283

REV AUG 1991

AC INPUT, TRANSFORMER & FUSE BOARD

NOTE: * REFERENCE DESIGNATORS IN PARENTHESES ARE SILK SCREENED ON THE BOARD.





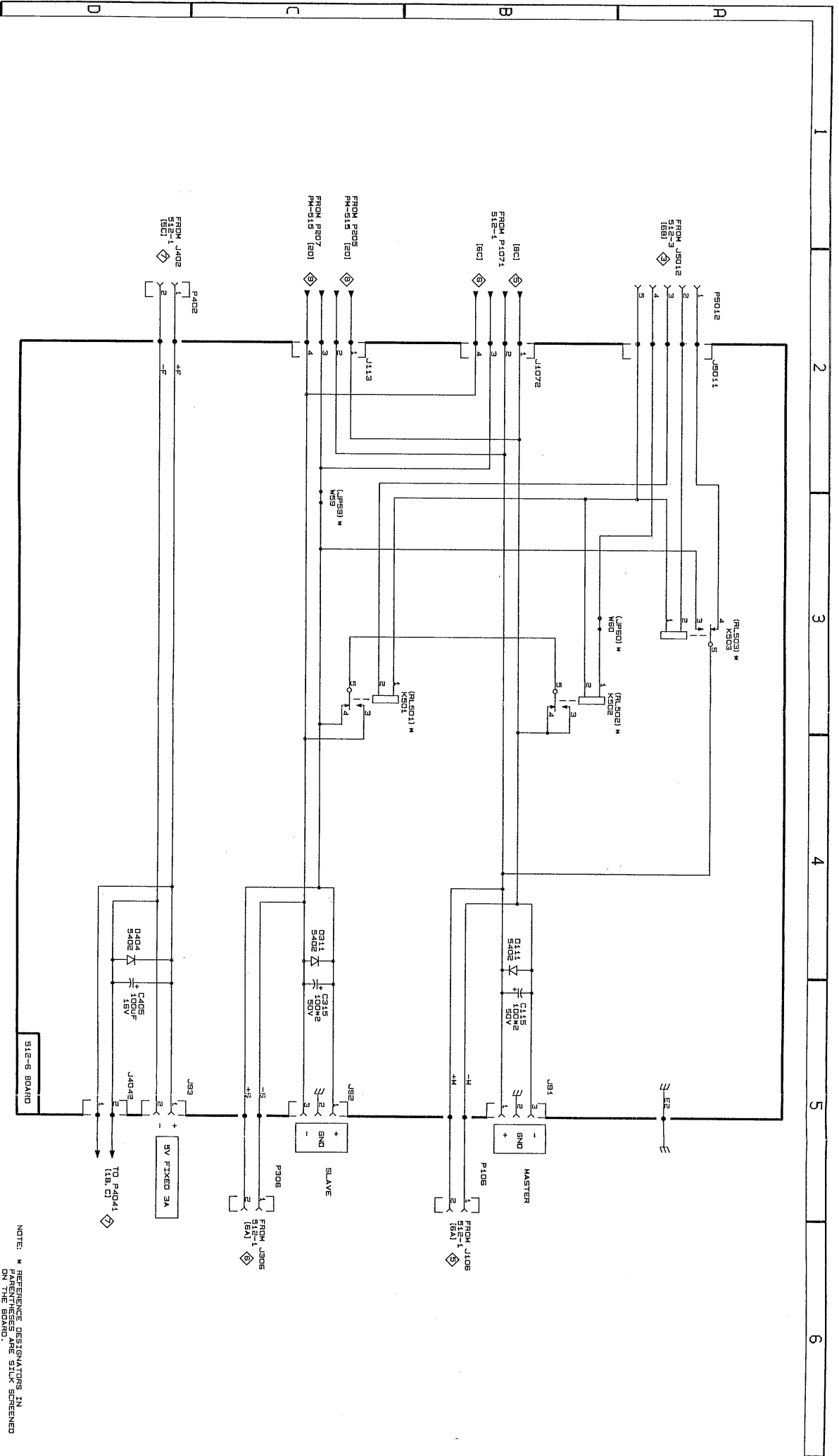
PS283

REV AUG 1981

MAIN/AUXILIARY RECTIFIER & FILTER

NOTE: * REFERENCE DESIGNATORS IN CURRENT BOARD ARE SILK SCREENED





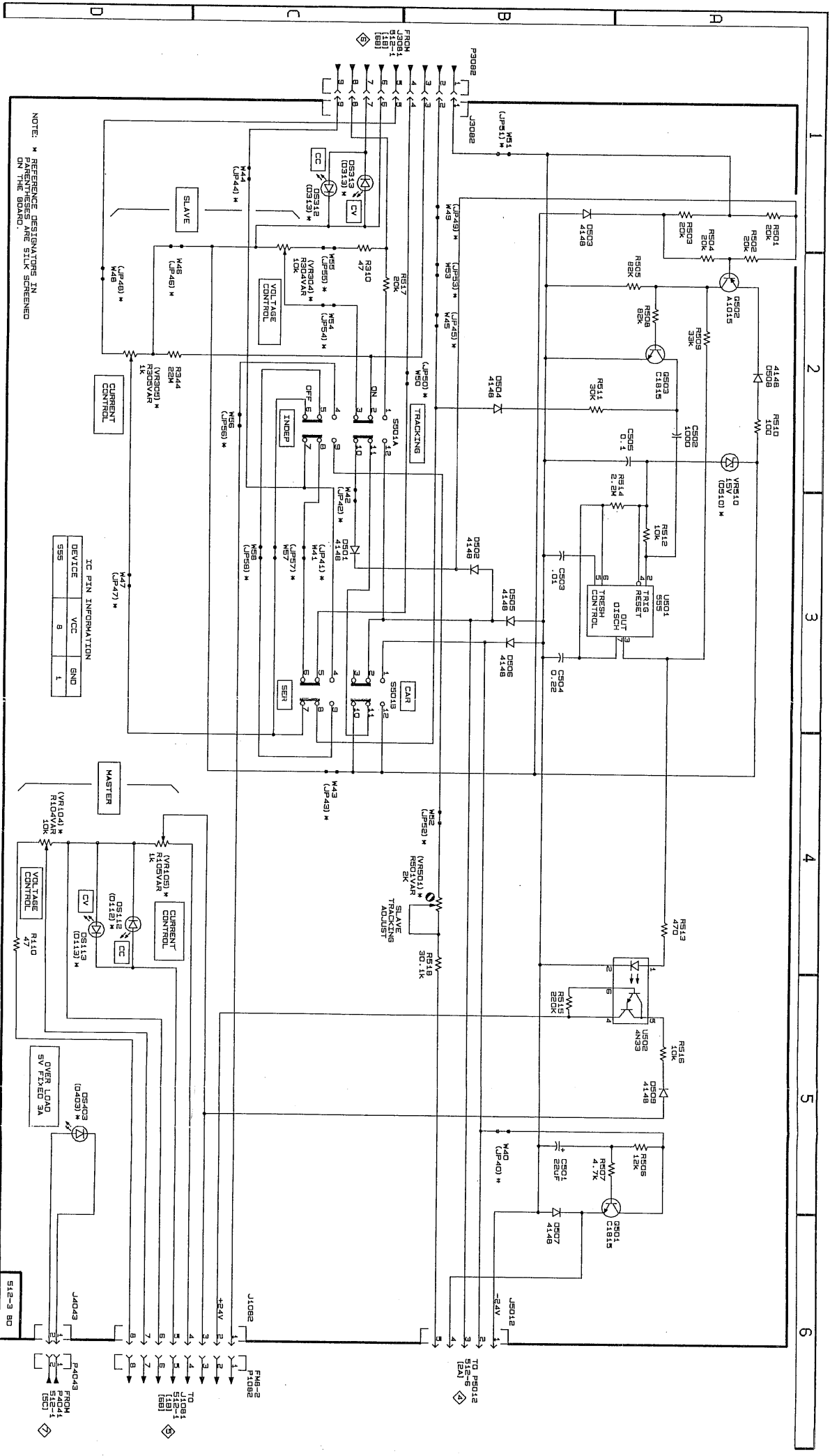
PS283

REV AUG 1981

OUTPUTS MASTER, SLAVE & 5 VOLT 3 AMP

NOTE: * REFERENCE DESIGNATORS IN PARENTHESES ARE SILK SCREENED ON THE BOARD.

4



NOTE: * REFERENCE DESIGNATORS IN
ON THE BOARD ARE SILK SCREENED

IC PIN INFORMATION

DEVICE	VCC	GND
595	8	1

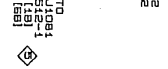
PS283

REV AUG 1991

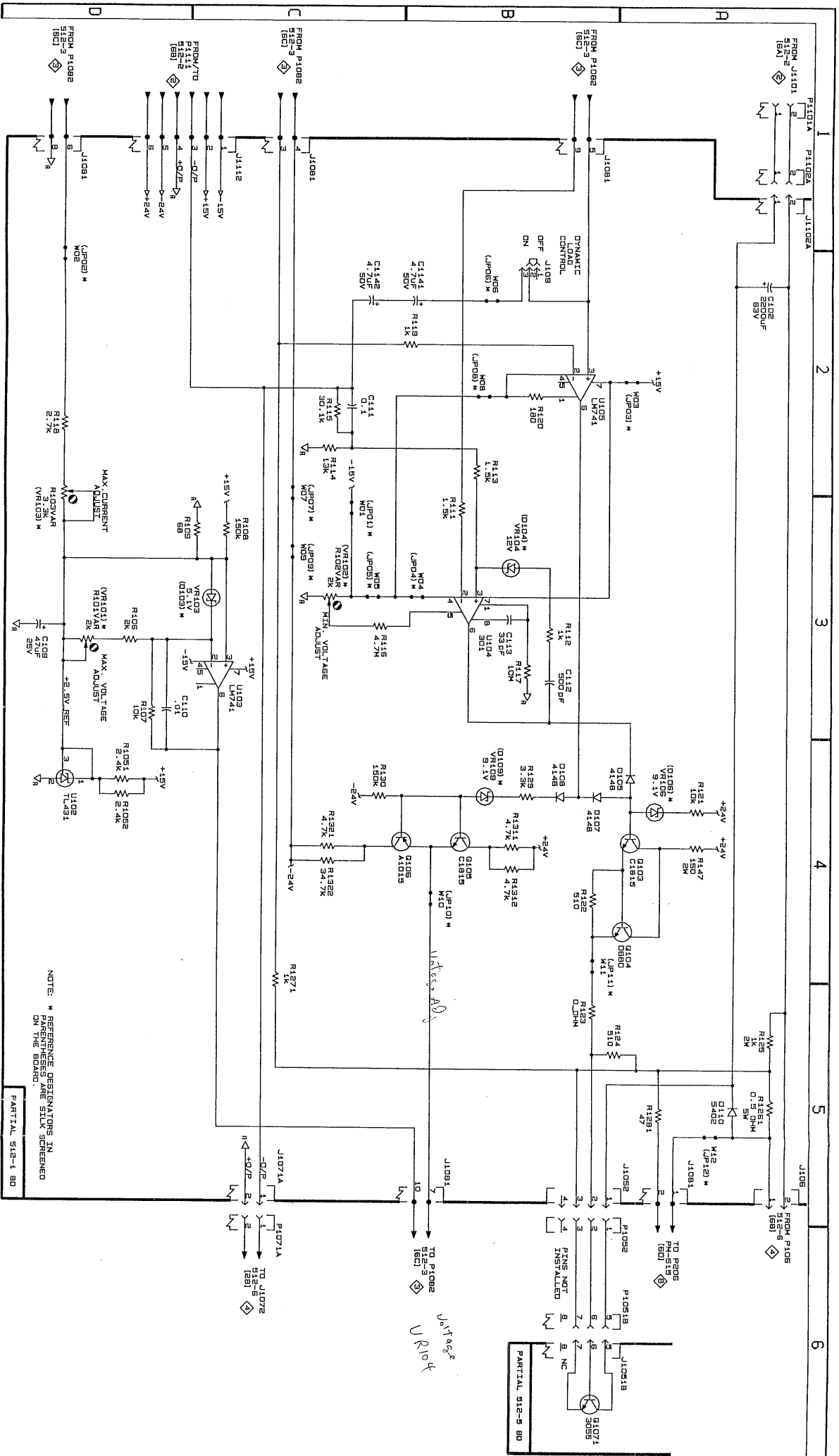
VOLTAGE/CURRENT CONTROL & TRACKING CONTROL



512-3 80



1 2 3 4 5 6



PS283

REV AUG 1981

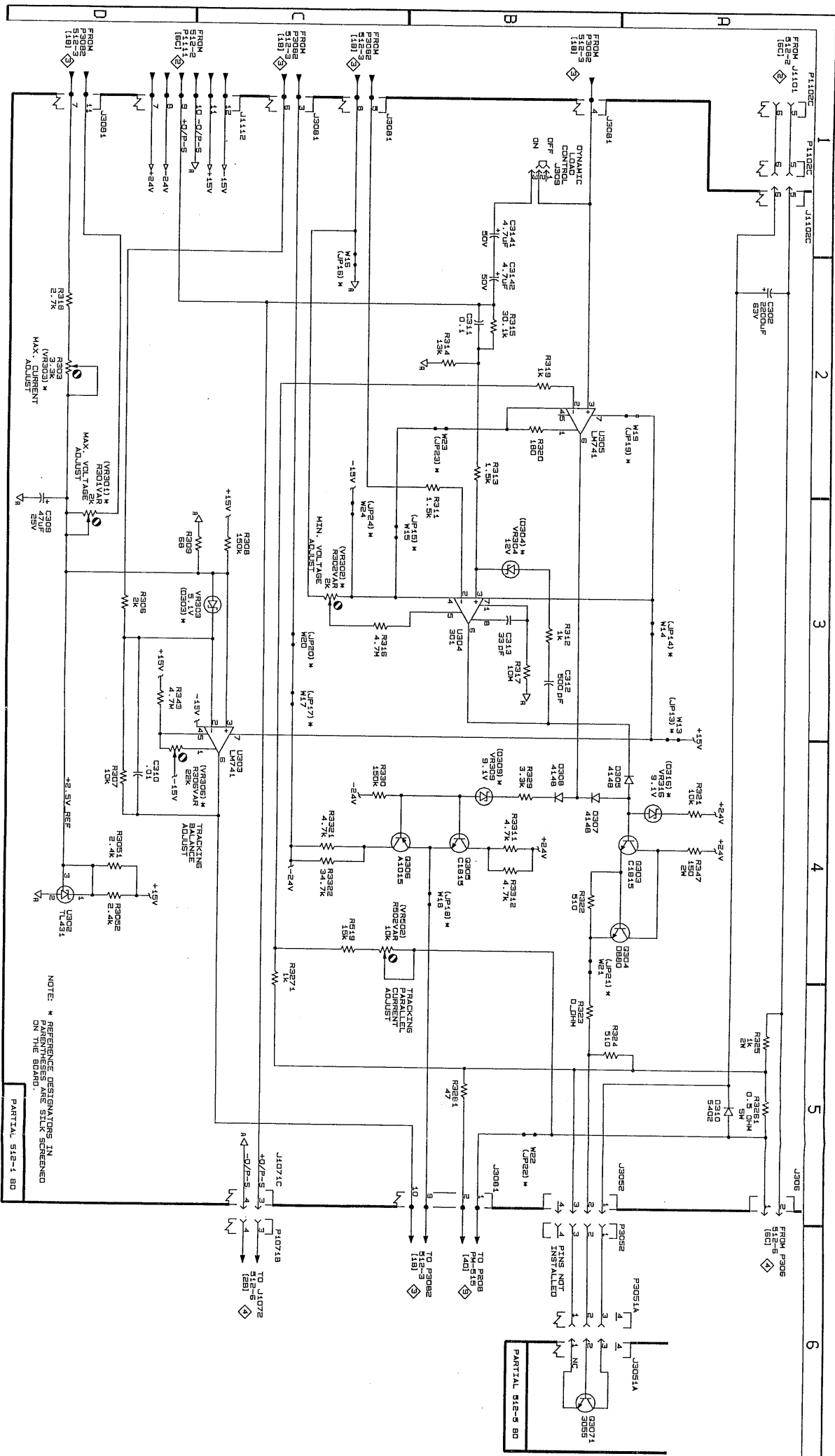
MASTER VOLTAGE/CURRENT

NOTE: * REFERENCE DESIGNATORS IN PARENTHESES ARE SILK SCREENED ON THE BOARD.

PARTIAL 512-1-80

PARTIAL 512-5-80





PS283

REV AUG 1991

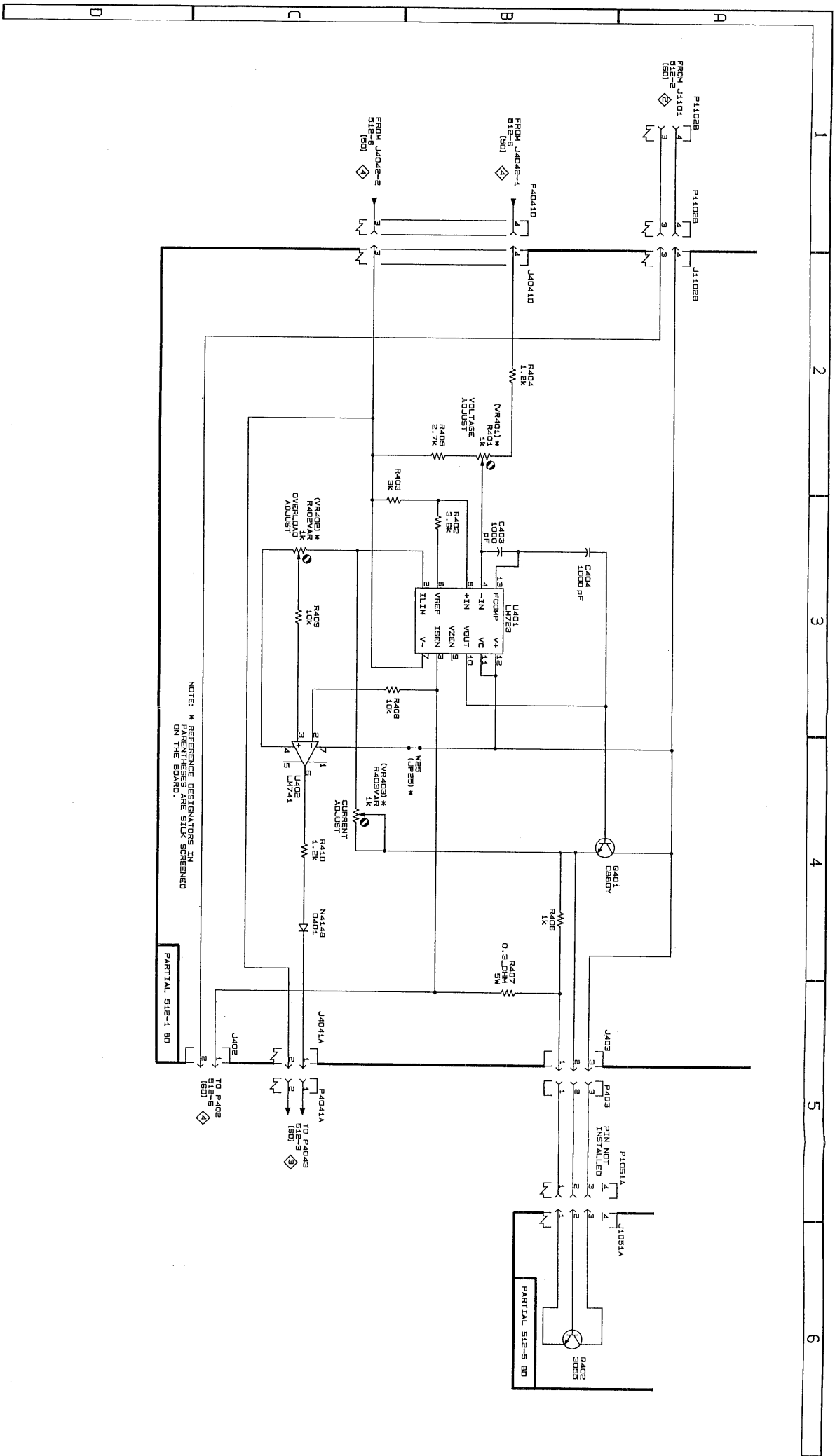
SLAVE VOLTAGE/CURRENT



NOTE: * PREFERENCE RESISTORS IN PARENTHESES ARE SILK SCREENED ON THE BOARD.

PARTIAL 512-1 BO

PARTIAL 512-5 BO



NOTE: * REFERENCE DESIGNATORS IN PARENTHESES ARE SILK SCREENED ON THE BOARD.

PARTIAL 512-4 BO

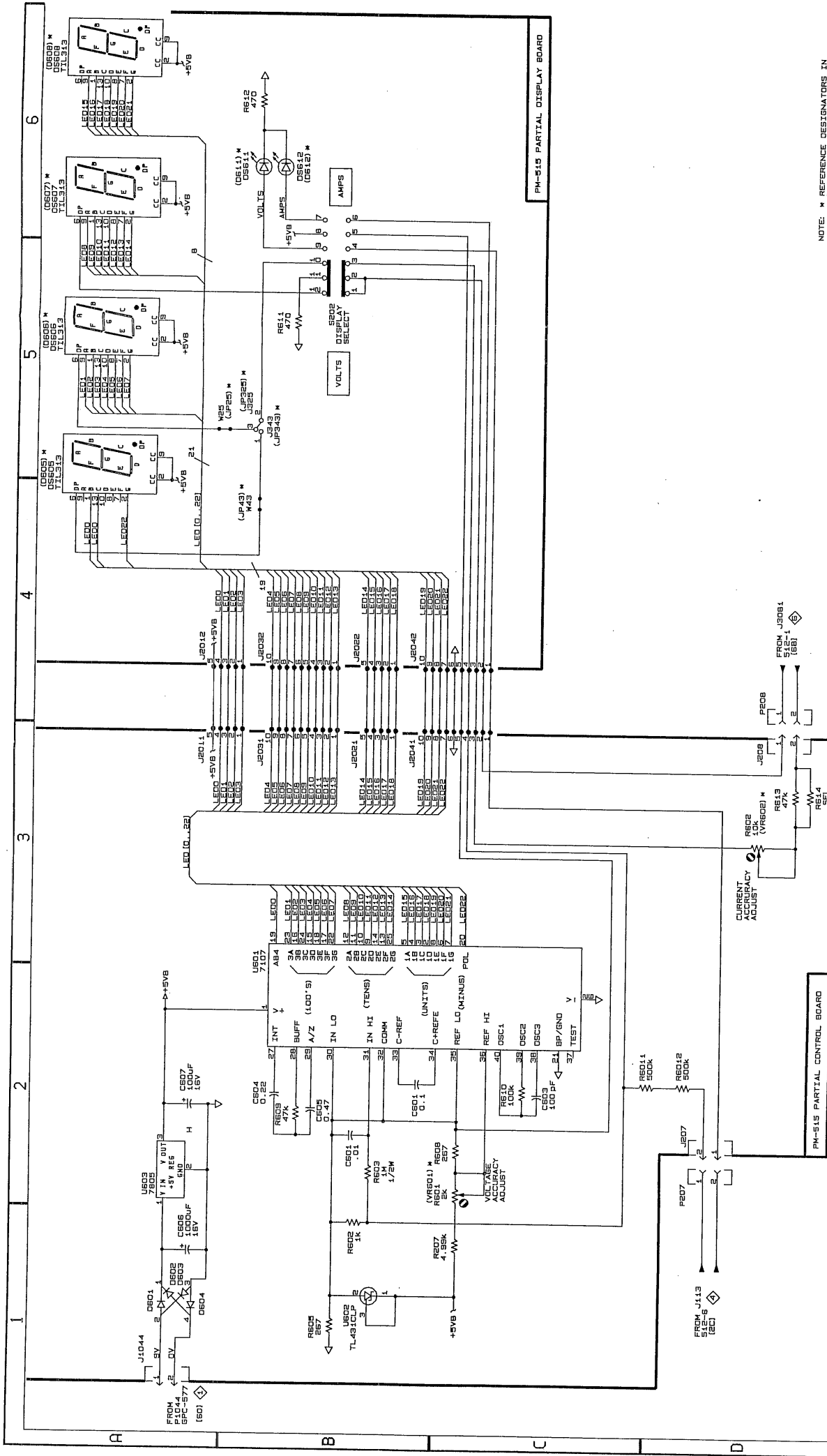
P40A3 PIN NOT INSTALLED

PARTIAL 512-5 BO

PS283

+5 VOLT FIXED





NOTE: * REFERENCE DESIGNATORS IN PARENTHESES ARE SILK SCREENED ON THE BOARD.



SLAVE DIGITAL METER

REV AUG 1991

PS 283