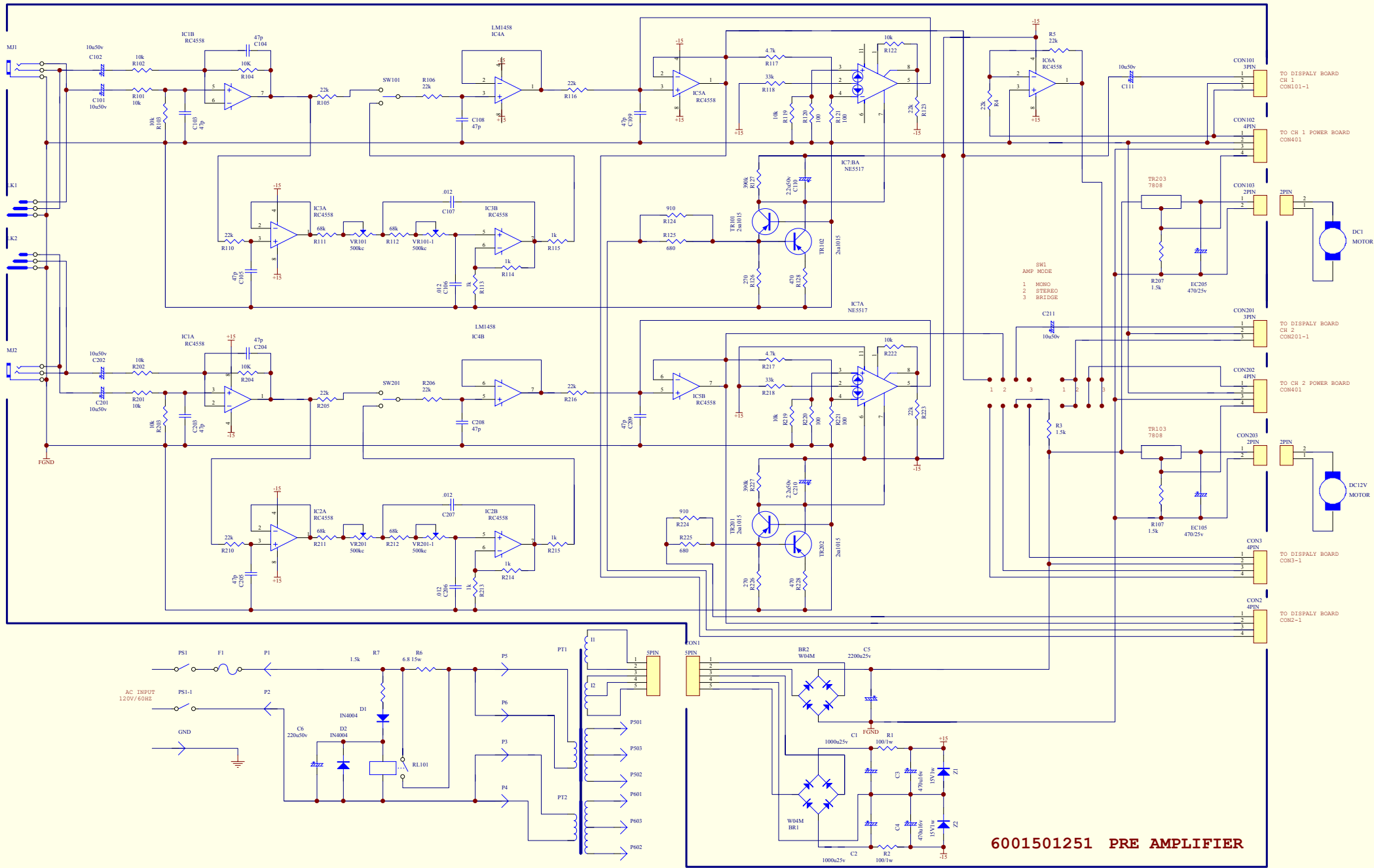


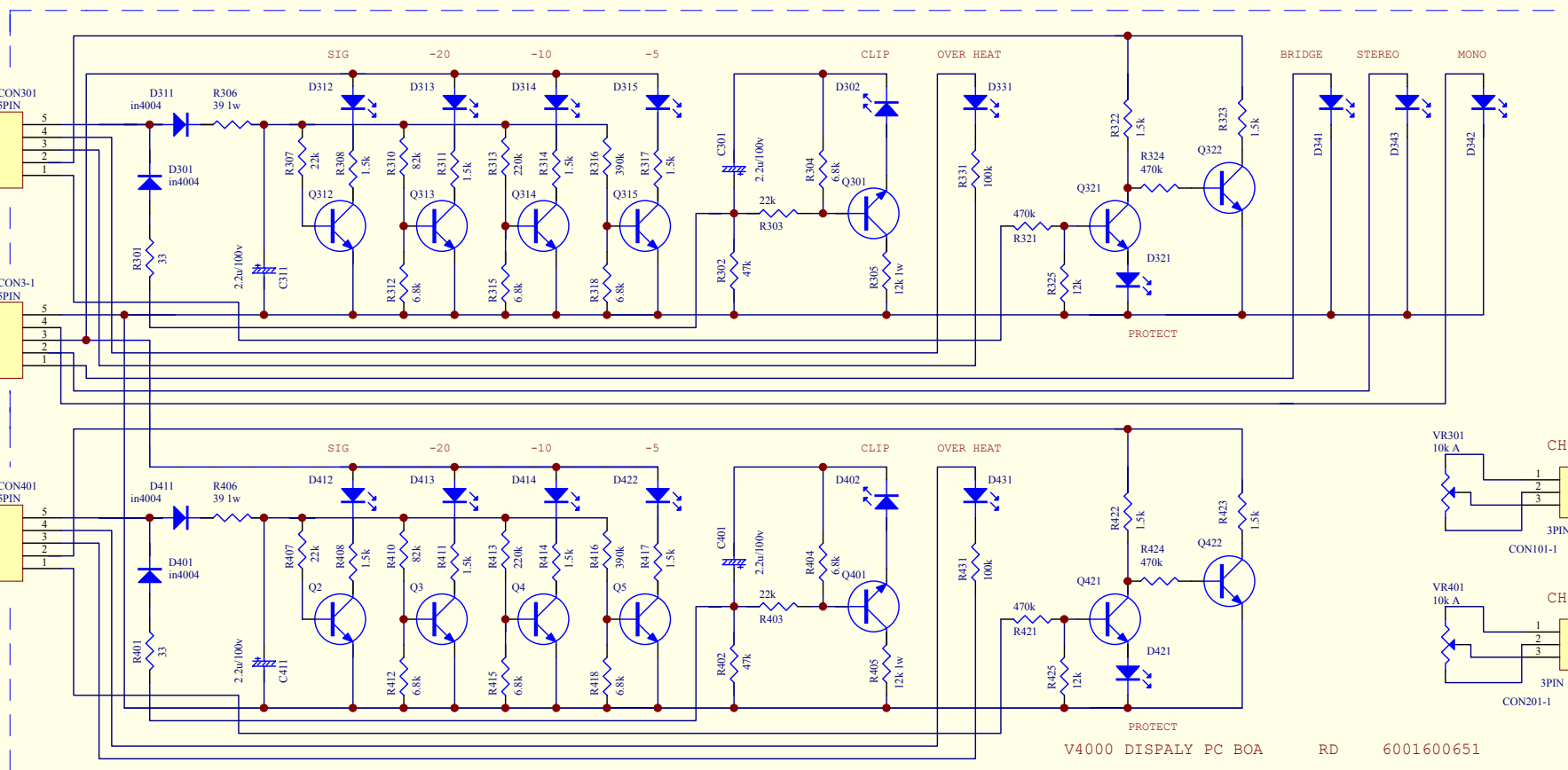
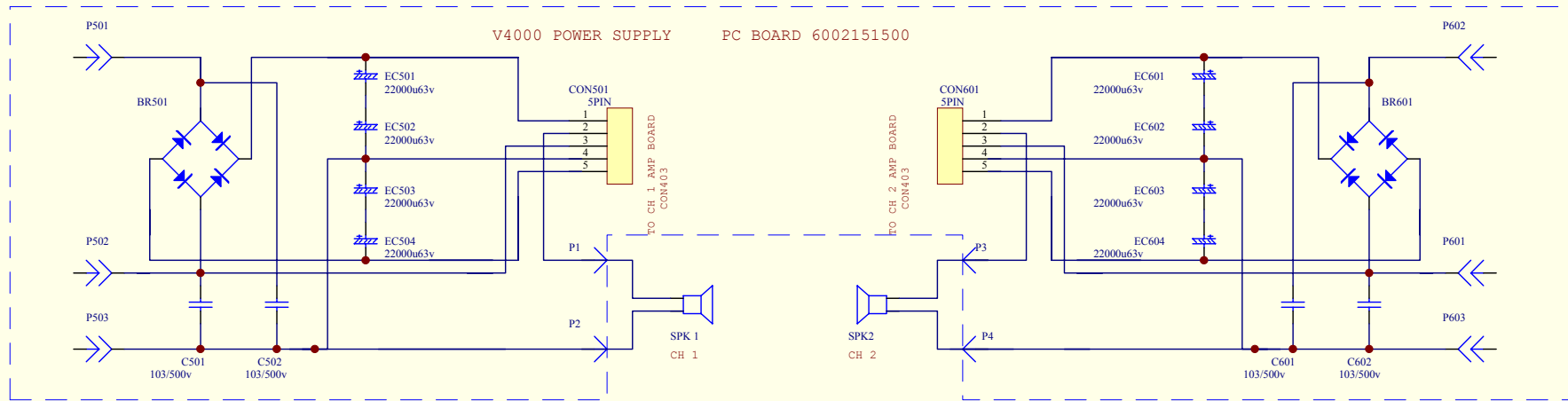
6003101291
V4000 POWER AMPLIFIER

Title		
Size	Number	Revision
A2		
Date:	2-Apr-2002	Sheet of
File:	C:\CLIENT\V4000AMP.SCH	Drawn By:



6001501251 PRE AMPLIFIER

Title		PRE AMP. BOARD & DISPALY BOARD	PROFESSIONAL STEREO	AMPLIFIER
Size	Number			
A2	V4000			
Date:	3-Apr-2002			
File:	C:\CLIENT\Y4000P\SC1			
		Sheet of		
		Drawn By		
		Revision		



Title V4000 POWER SUPPLY /DISPALY SCHEMATIC		
Size A3	Number V4000	Revision K.C. HWA
Date: 3-Apr-2002	Sheet of	Drawn By:
File: C:\CLIENT\W4000S.SCH		