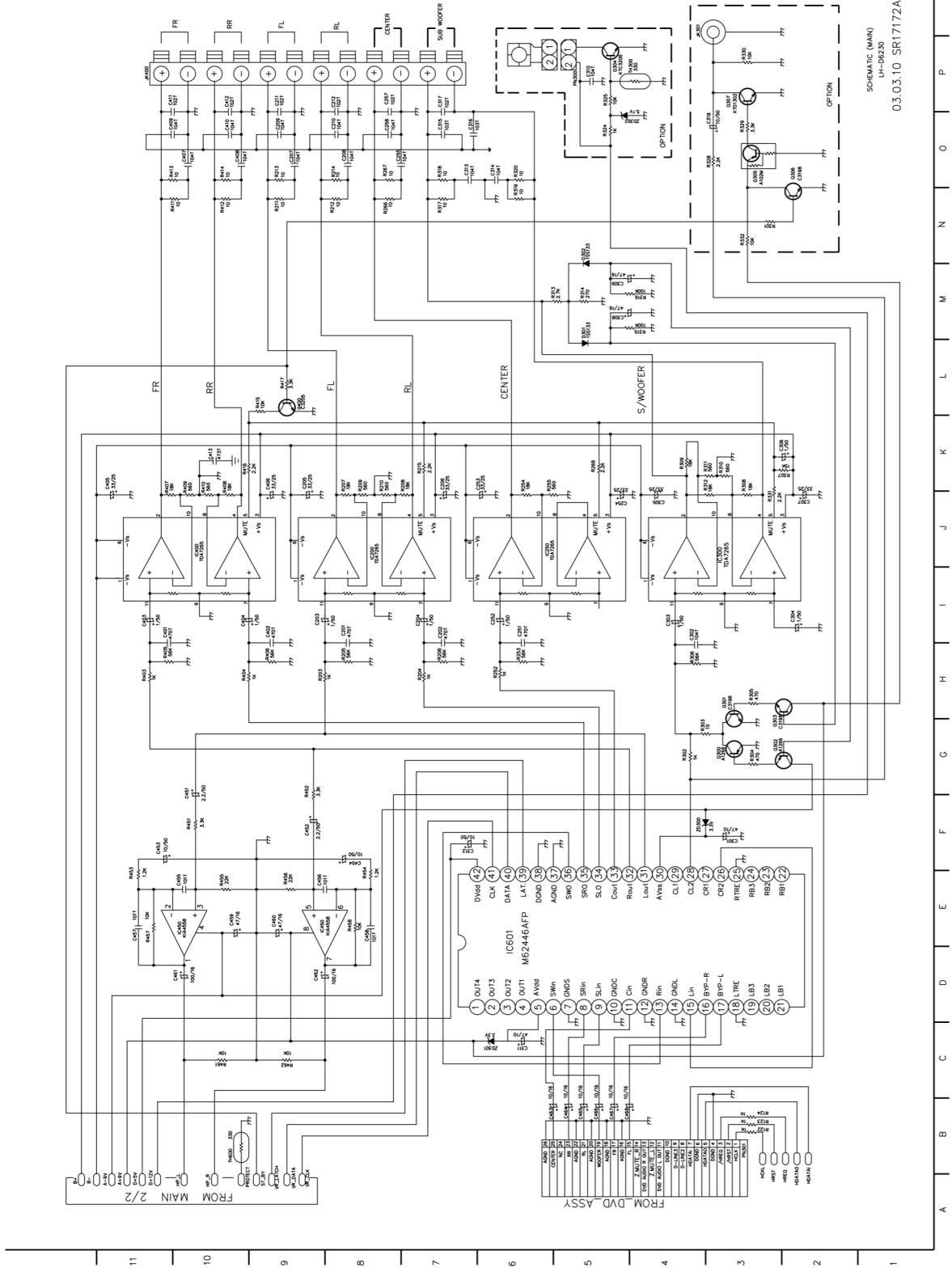


SHEMATIC DIAGRAMS

MAIN SCHEMATIC DIAGRAM



LOCATION GUIDE			
C201	18	R213	09
C202	17	R214	08
C204	17	R222	H6
C206	K7	R224	K6
C207	09	R225	N6
C208	08	R227	08
C211	P8	R201	N3
C212	16	R203	G4
C214	16	R204	G3
C216	16	R205	H4
C217	16	R206	H4
C218	16	R207	K2
C219	16	R208	K2
C221	14	R209	K4
C222	14	R210	K3
C223	14	R211	K3
C224	14	R212	M5
C225	14	R213	M5
C226	14	R214	M5
C227	14	R215	M5
C228	14	R216	M4
C229	14	R217	M4
C230	14	R218	O7
C231	05	R219	O6
C232	05	R220	O6
C233	05	R221	O6
C234	05	R222	O3
C235	05	R223	O3
C236	05	R224	O3
C237	05	R225	O3
C238	05	R226	P3
C239	07	R227	P3
C240	07	R228	P3
C241	11	R229	J3
C242	11	R230	J3
C243	11	R231	H1
C244	11	R232	H1
C245	11	R233	H1
C246	10	R234	H9
C247	10	R235	H9
C248	10	R236	J9
C249	10	R237	J9
C250	10	R238	J9
C251	10	R239	J10
C252	10	R240	J10
C253	10	R241	N10
C254	10	R242	N10
C255	10	R243	O10
C256	10	R244	O10
C257	10	R245	L9
C258	10	R246	L9
C259	10	R247	L9
C260	10	R248	L9
C261	10	R249	F10
C262	10	R250	F10
C263	10	R251	F10
C264	10	R252	E11
C265	10	R253	E11
C266	10	R254	E11
C267	10	R255	E10
C268	10	R256	E9
C269	10	R257	E8
C270	10	R258	E8
C271	10	R259	E8
C272	10	R260	C9
C273	10	R261	C9
C274	10	R262	C9
C275	10	R263	C9
C276	10	R264	C9
C277	10	R265	B5
C278	10	R266	B5
C279	10	R267	B5
C280	10	R268	B5
C281	10	R269	B5
C282	10	R270	M5
C283	10	R271	M5
C284	10	R272	M5
C285	10	R273	M5
C286	10	R274	M5
C287	10	R275	M5
C288	10	R276	M5
C289	10	R277	M5
C290	10	R278	M5
C291	10	R279	M5
C292	10	R280	M5
C293	10	R281	M5
C294	10	R282	M5
C295	10	R283	M5
C296	10	R284	M5
C297	10	R285	M5
C298	10	R286	M5
C299	10	R287	M5
C300	10	R288	M5

SCHMATIC (MAIN)
 LH-06230
 03.03.10 SR17172A