

Service Manual

Colour Television TX-29AD1D TX-25AD1D EURO-2 Chassis

Specifications

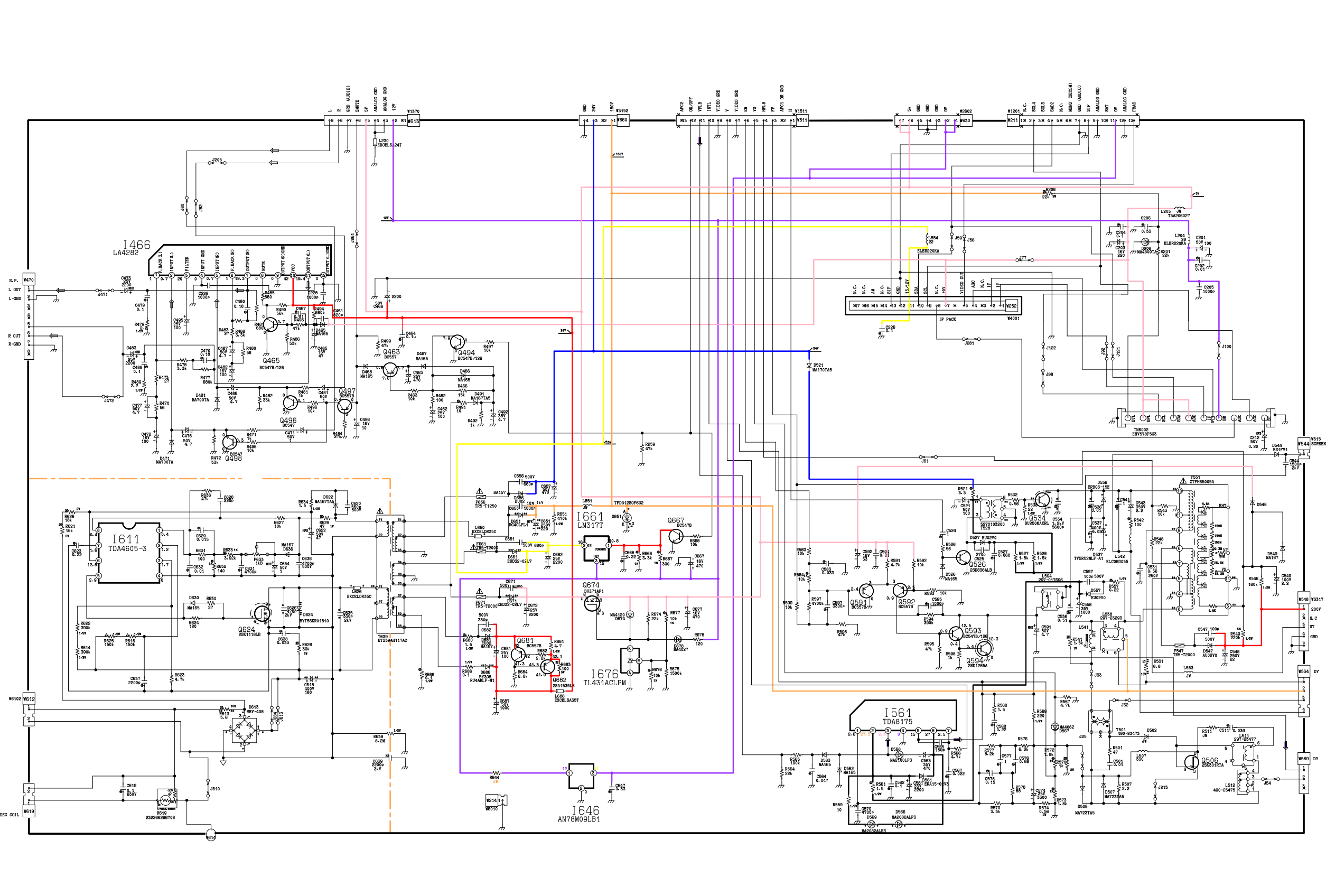
(Information in brackets refers to TX - 25AD1D)

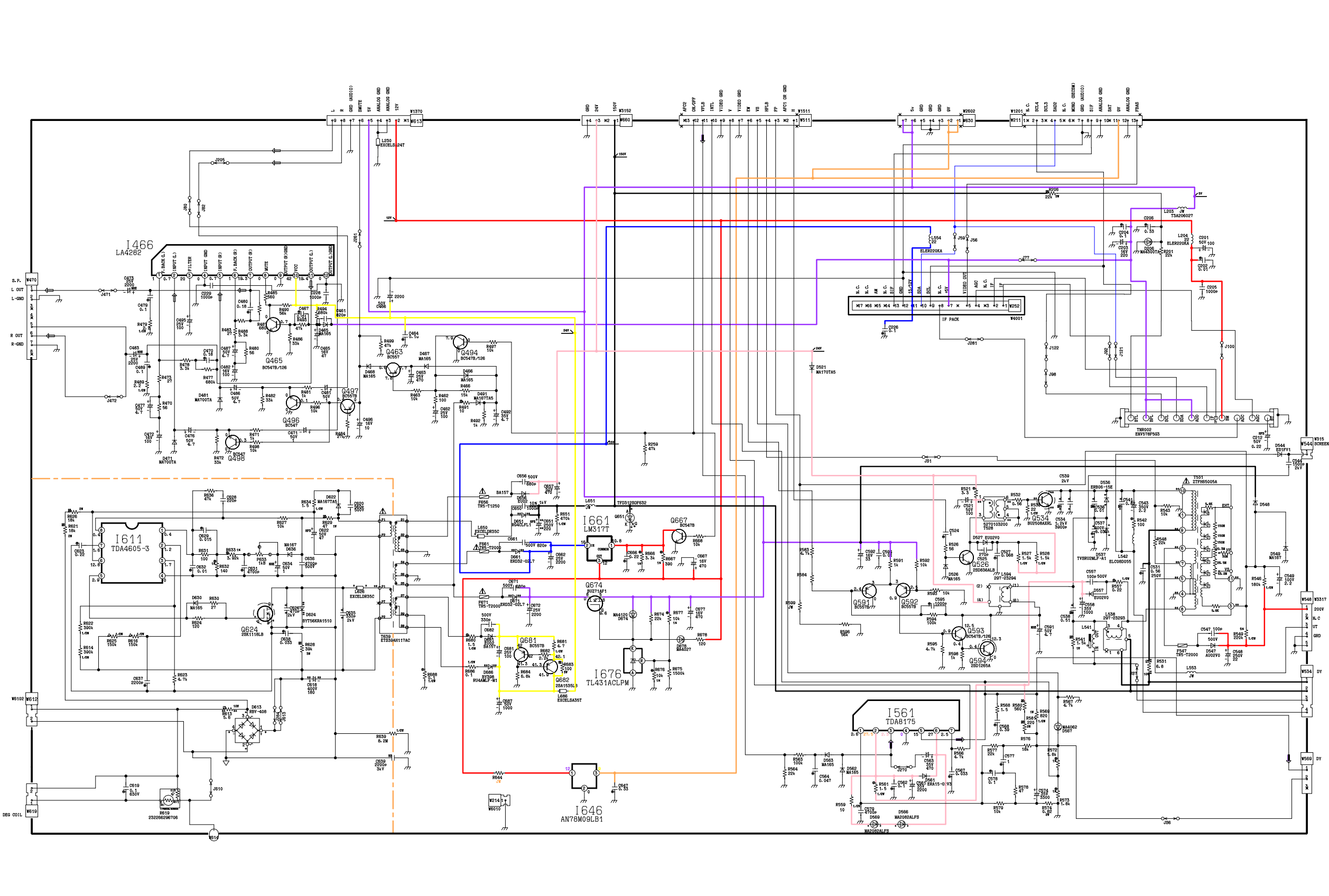
Power Source :	220 - 240 V AC, 50Hz
Power Consumption :	110W (100W)
Aerial Impedance :	75W unbalanced, Coaxial Type
Receiving System :	PAL B/G, D/K PAL - 60 SECAM B/G, D/K VHF E2 - E12 VHF A - H (ITALY) VHF R1 - R2 VHF R3 - R5 UHF E21 - E69 CATV S1 - S10 (M1 - M10) CATV S21 - S41 (HYPERBAND)
Receiving Channels :	VHF H1 - H2 (ITALY) VHF R1 - R2 VHF R3 - R5 UHF E21 - E69 CATV S1 - S10 (M1 - M10) CATV S21 - S41 (HYPERBAND)
Intermediate Frequency :	Video 38.9MHz Sound 33.4MHz, 33.16MHz 32.4MHz, 33.05MHz 35.07MHz, 34.47MHz, 34.5MHz
Colour	
Video / Audio Terminals :	
AV1 IN	Video (21 pin) 1 Vp-p 75W Audio (21 pin) 500 mV rms 10kW RGB (21 pin)
AV1 OUT	Video (21 pin) 1 Vp-p 75W Audio (21 pin) 500 mV rms 1kW
AV2 IN	Video (21 pin) 1 Vp-p 75W Audio (21 pin) 500 mV rms 10 kW S-Video IN Y : 1 Vp-p 75W (21 pin) C : 0.3 Vp-p 75W
AV2 OUT	Video (21 pin) 1 Vp-p 75W Audio (21 pin) 500 mV rms 1kW Selectable output (21 pin)
AV3 IN	S-Video IN Y : 1 Vp-p 75W (4-pin) C : 0.3 Vp-p 75W Audio (RCA x 2) 500 mV rms 10kW Video (RCA x 1) 1 Vp-p 75W
High Voltage :	31 kV *1kV at zero beam current
Picture Tube :	A68ESF002X11 72 cm (A59EEH048201 63 cm)
Visible screen size:	110_ deflection
Audio Output :	
Internal Speaker	2 x 20 W (Music Power) 4-8 W Impedance
Headphones	1 x 8 W Impedance
Accessories supplied :	Remote Control R6 (UM3) Battery
Dimensions :	Height : 551mm (504mm) Width : 668mm (606mm) Depth : 467mm (448mm)
Net Weight	41kg (30kg)
Specifications are subject to change without notice. Weight and dimensions shown are approximate.	

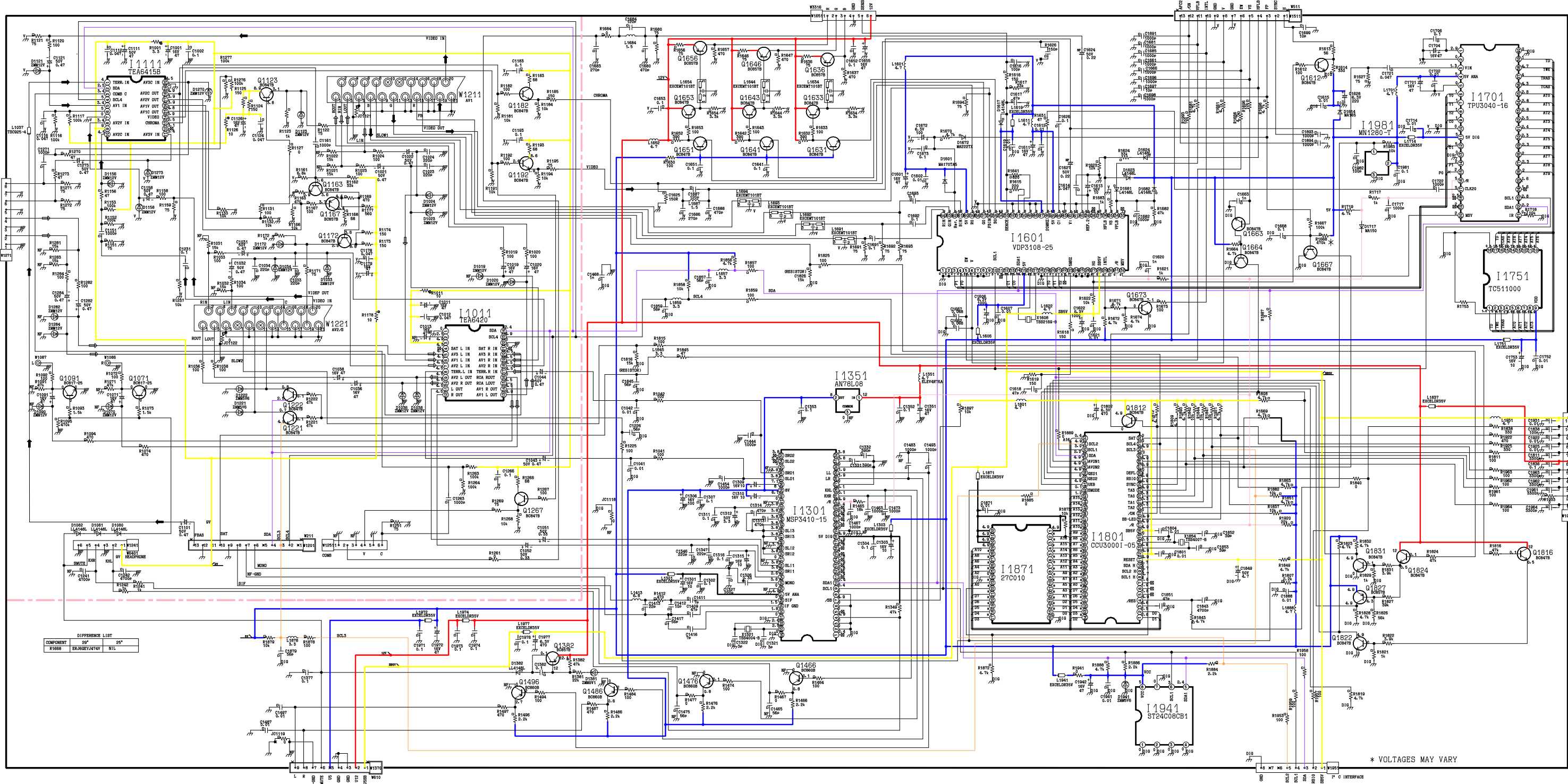
Technische Daten

(Werte in Klammern gelten nur für TX - 25AD1D)

Netzspannung :	220 - 240 V AC, 50Hz
Leistungsaufnahme :	110W (100W)
Antennenimpedanz :	75W asymmetrisch, Koaxial- Typ
Empfangssystem :	PAL B/G, D/K PAL - 60 SECAM B/G, D/K VHF E2 - E2 VHF A - H (ITALY) VHF R1 - R2 VHF R3 - R5 UHF E21 - E69 CATV S1 - S10 (M1 - M10) CATV S11 - S20 (U1 - U10) CATV S21 - S41 (HYPERBAND)
Empfangsbereiche :	VHF H1 - H2 (ITALY) VHF R1 - R2 VHF R3 - R5 UHF E21 - E69 CATV S1 - S10 (M1 - M10) CATV S11 - S20 (U1 - U10) CATV S21 - S41 (HYPERBAND)
Zwischenfrequenz :	Video 38.9MHz Sound 33.4MHz, 33.16MHz 32.4MHz, 33.05MHz 35.07MHz, 34.47MHz, 34.5MHz
Colour	
Video / Audio Anschlüsse :	
AV1 EINGANG	Video (21 pin) 1 Vp-p 75W Audio (21 pin) 500 mV rms 10kW RGB (21 pin)
AV1 AUSGANG	Video (21 pin) 1 Vp-p 75W Audio (21 pin) 500 mV rms 1kW
AV2 EINGANG	Video (21 pin) 1 Vp-p 75W Audio (21 pin) 500 mV rms 10 kW S-Video IN Y : 1 Vp-p 75W (21 pin) C : 0.3 Vp-p 75W
AV2 AUSGANG	Video (21 pin) 1 Vp-p 75W Audio (21 pin) 500 mV rms 1kW Selectable output (21 pin)
AV3 EINGANG	S-Video IN Y : 1 Vp-p 75W (4-pin) C : 0.3 Vp-p 75W Audio (RCA x 2) 500 mV rms 10kW Video (RCA x 1) 1 Vp-p 75W
Hochspannung :	31 kV *1kV bei Nullstrahlstrom
Bildrohre :	A68ESF002X11 72 cm (A59EEH048201 63 cm)
Visuelle Diagonale :	110_Ablenkung
Ton Ausgangsleistung :	2 x 20W (Musikleistung) 4-8 W Impedanz
Kopfhörer	1 x 8 W Impedanz
Mittel. Zubehör	Fernbedienung R6 (UM3) Batterien
Abmessungen :	Höhe : 551mm (504mm) Breite : 668mm (606mm) Tiefe : 467mm (448mm)
Gewicht	41kg (30kg)
Änderungen der technischen Daten vorbehalten. Gewichte und Abmessungen sind Näherungangaben.	



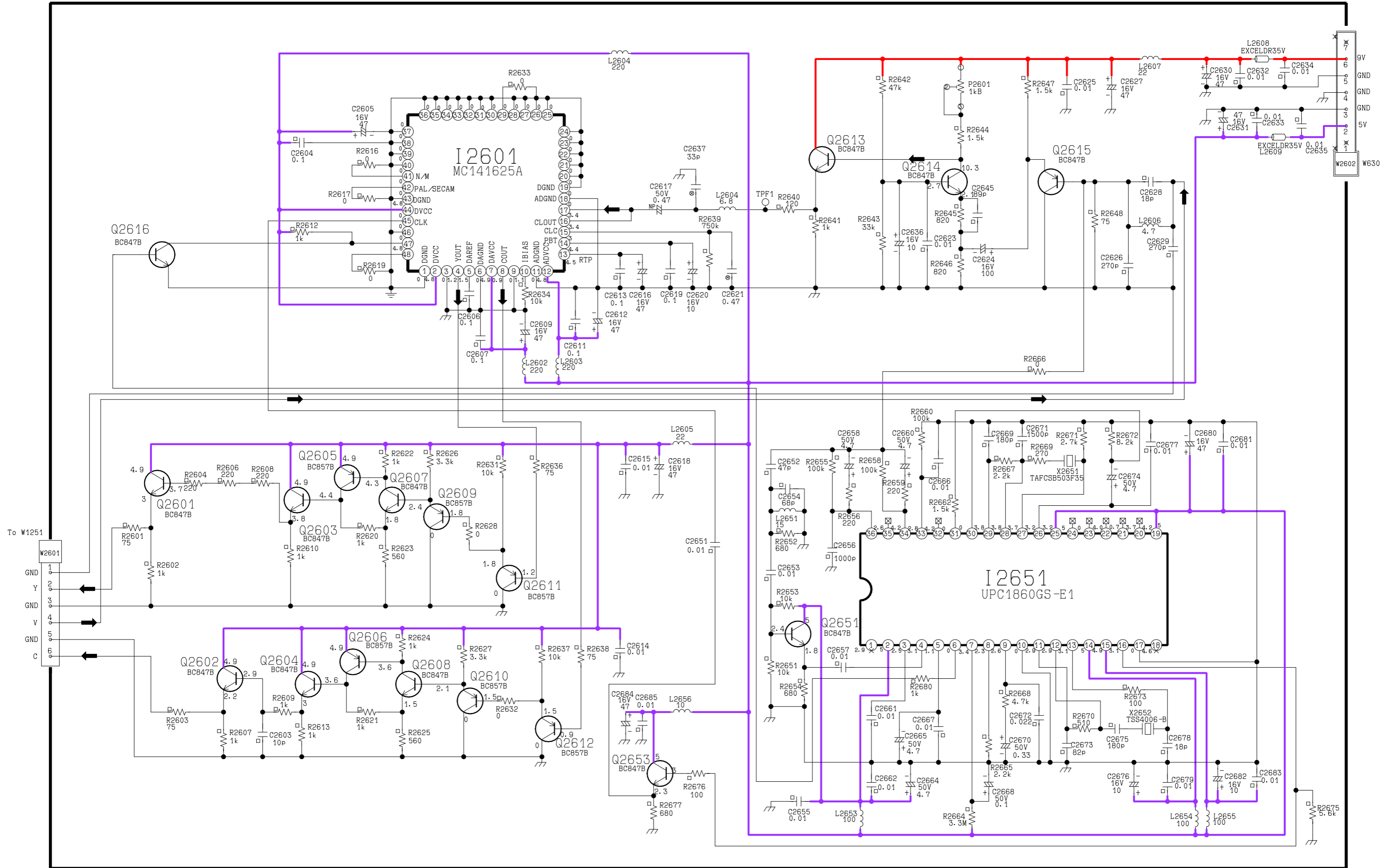


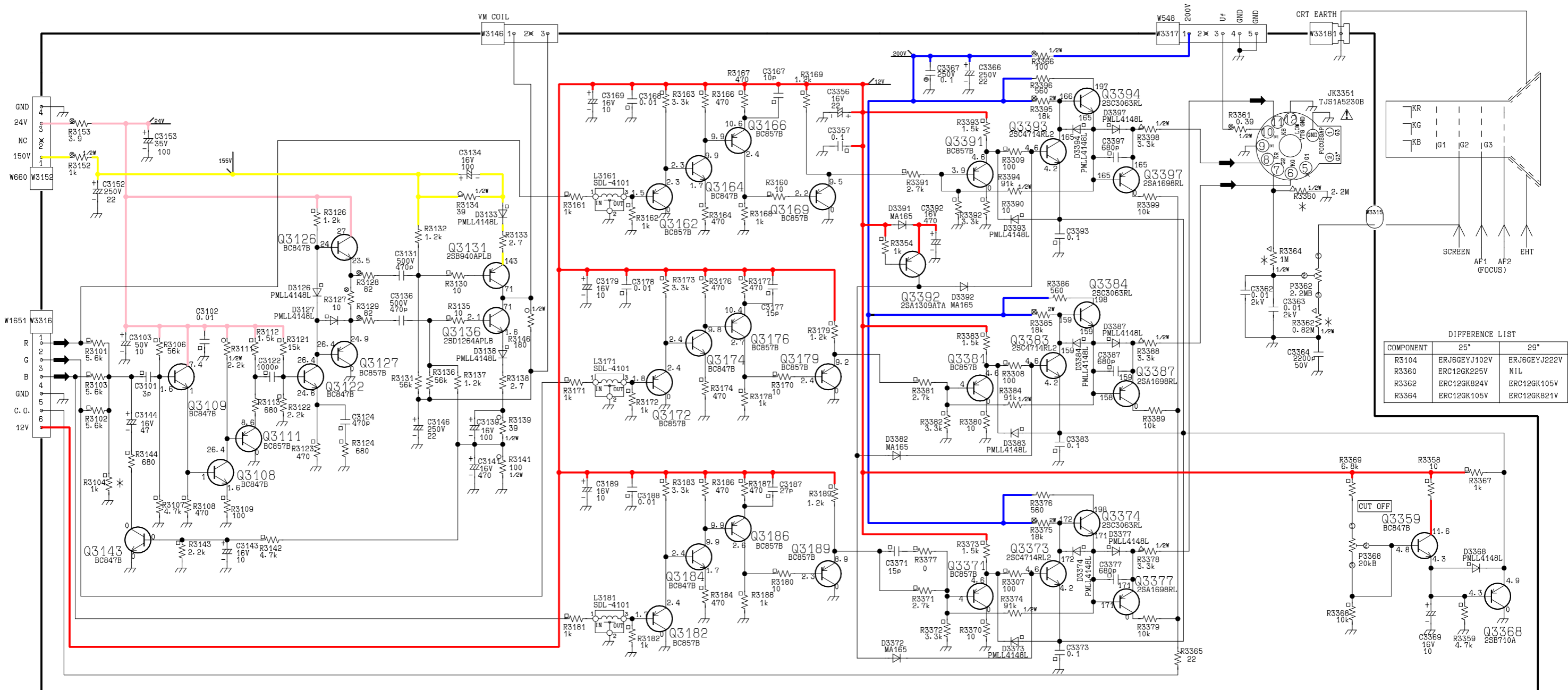


DIFFERENCE LIST

COMPONENT	25*	26*
R1669	BR.602Y2474Y	Nil

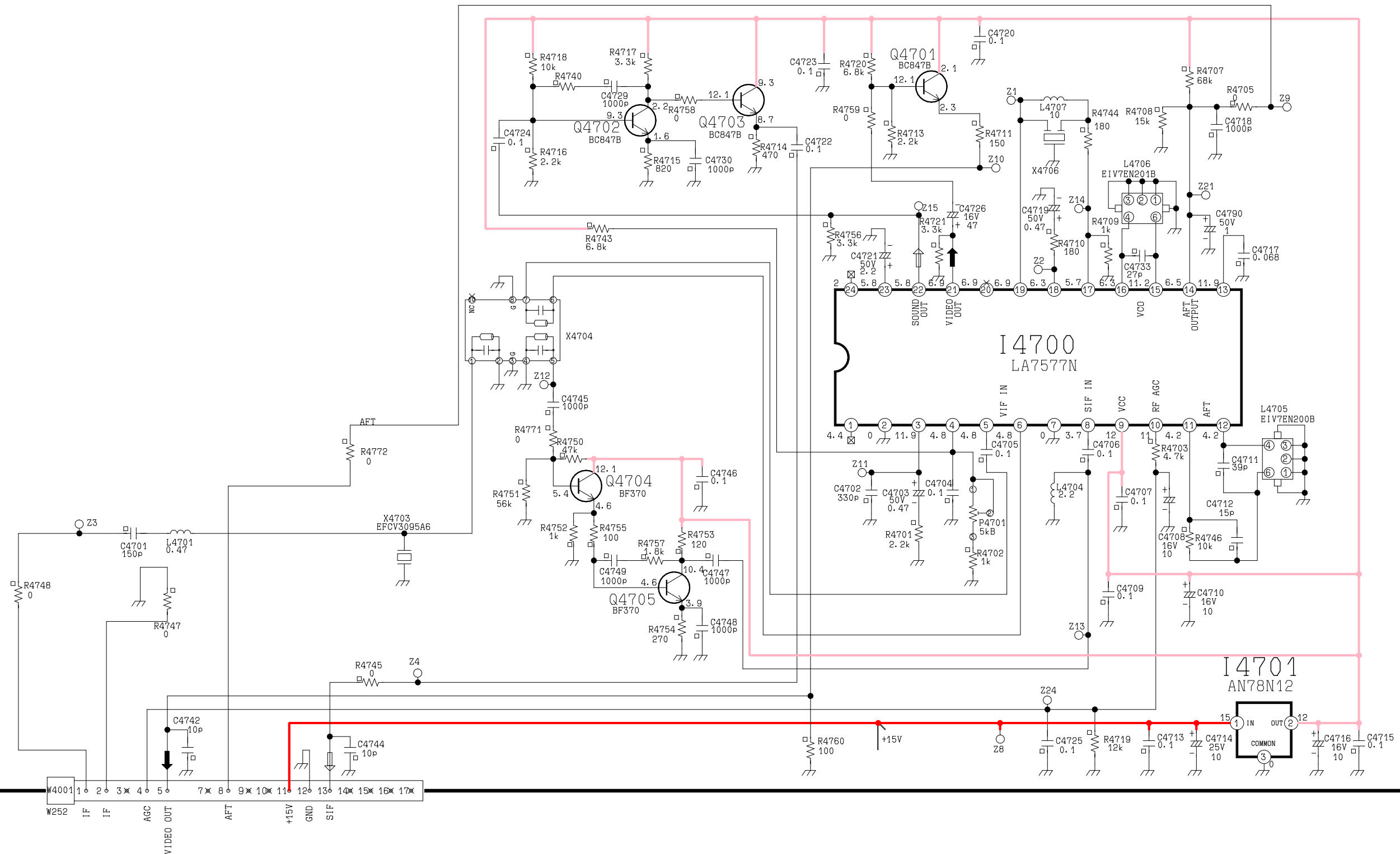
* VOLTAGES MAY VARY

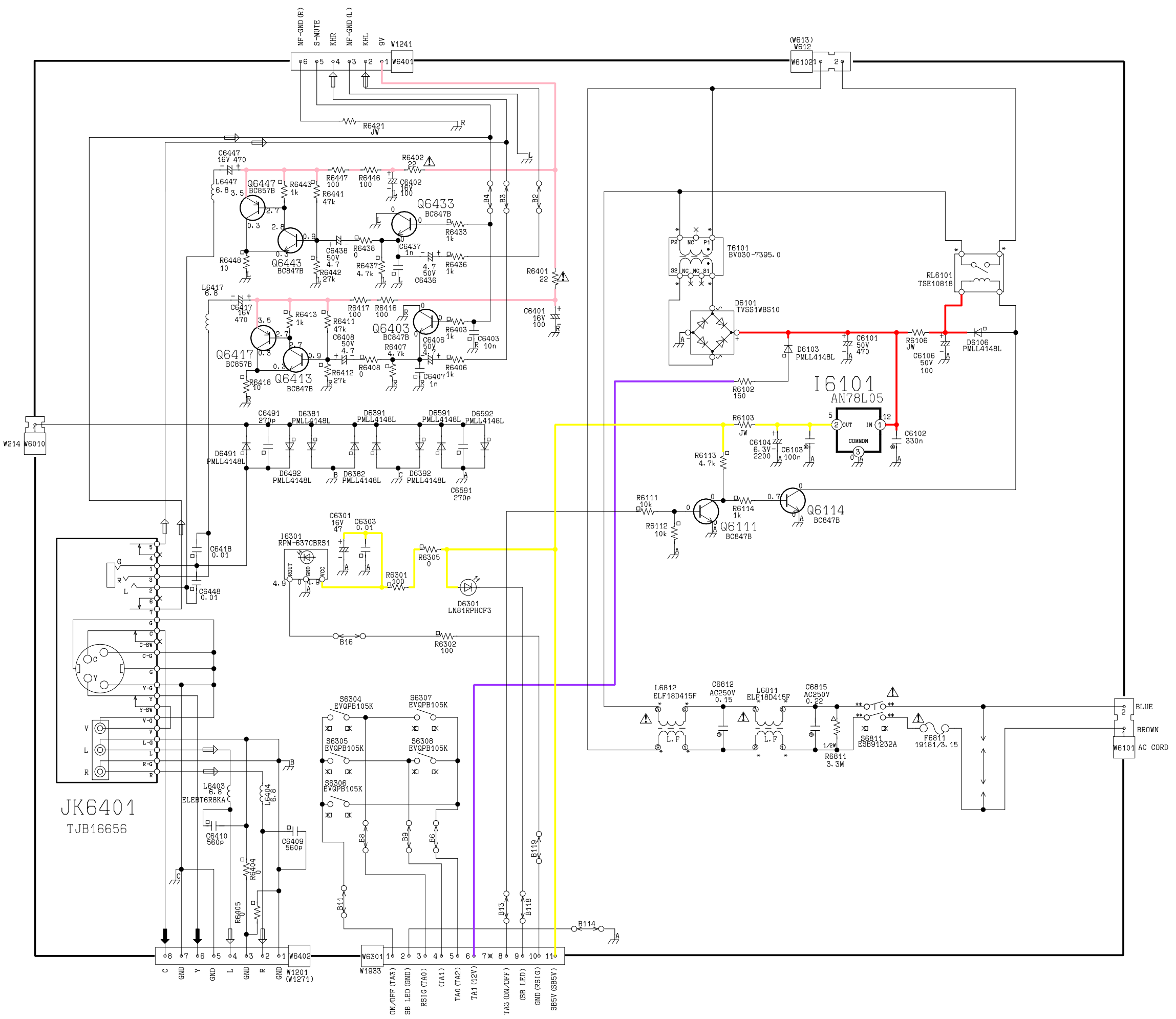




DIFFERENCE LIST

COMPONENT	25*	29*
R3104	ERJ6GEYJ102V	ERJ6GEYJ222V
R3360	ERC12GK225V	NIL
R3362	ERC12GK824V	ERC12GK105V
R3364	ERC12GK105V	ERC12GK821V





JK6401
TJB16656

I6101
AN78L05

BLUE
BROWN
W6101 AC CORD

- C 8
- GND 7
- Y 6
- GND 5
- L 4
- GND 3
- R 2
- GND 1
- W6402
- W1201 (W1271)
- W1933
- ON/OFF (TA3)
- SB LED (GND)
- RSIG (TA0)
- (TA1)
- TA0 (TA2)
- TA1 (12V)
- TA3 (ON/OFF)
- (SB LED)
- GND (RS1G)
- SBSV (SBSV)