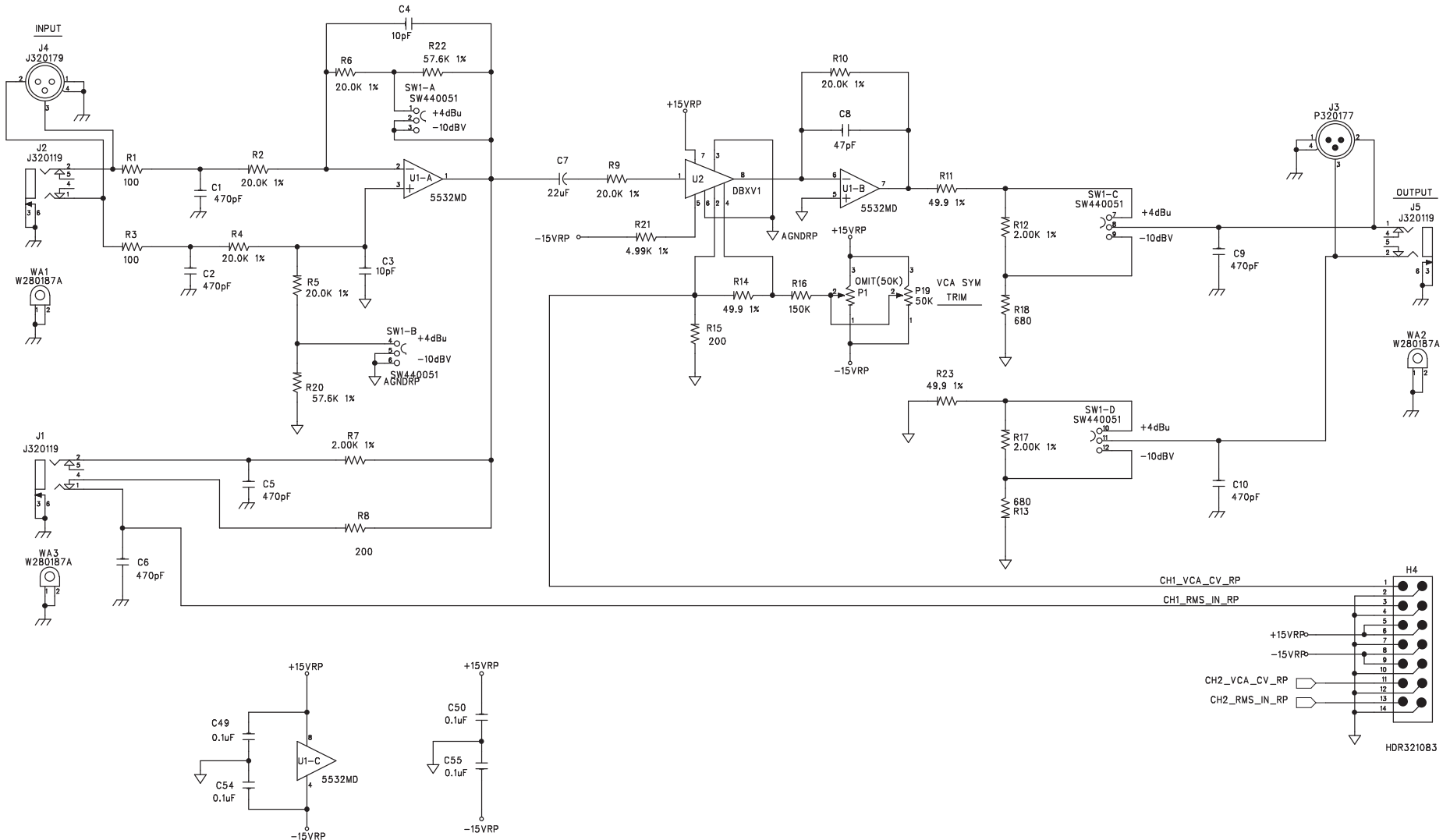


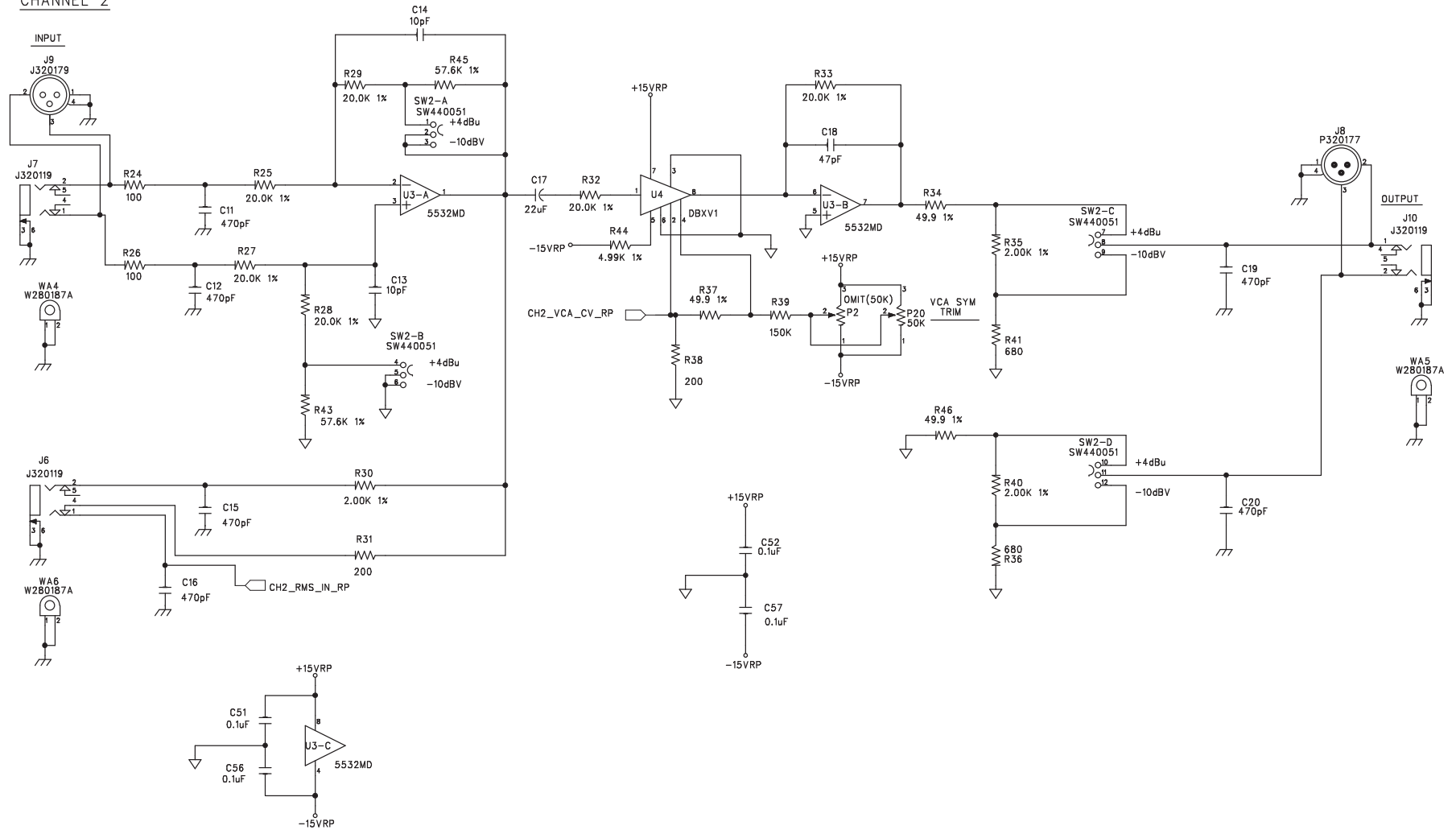


CHANNEL 1

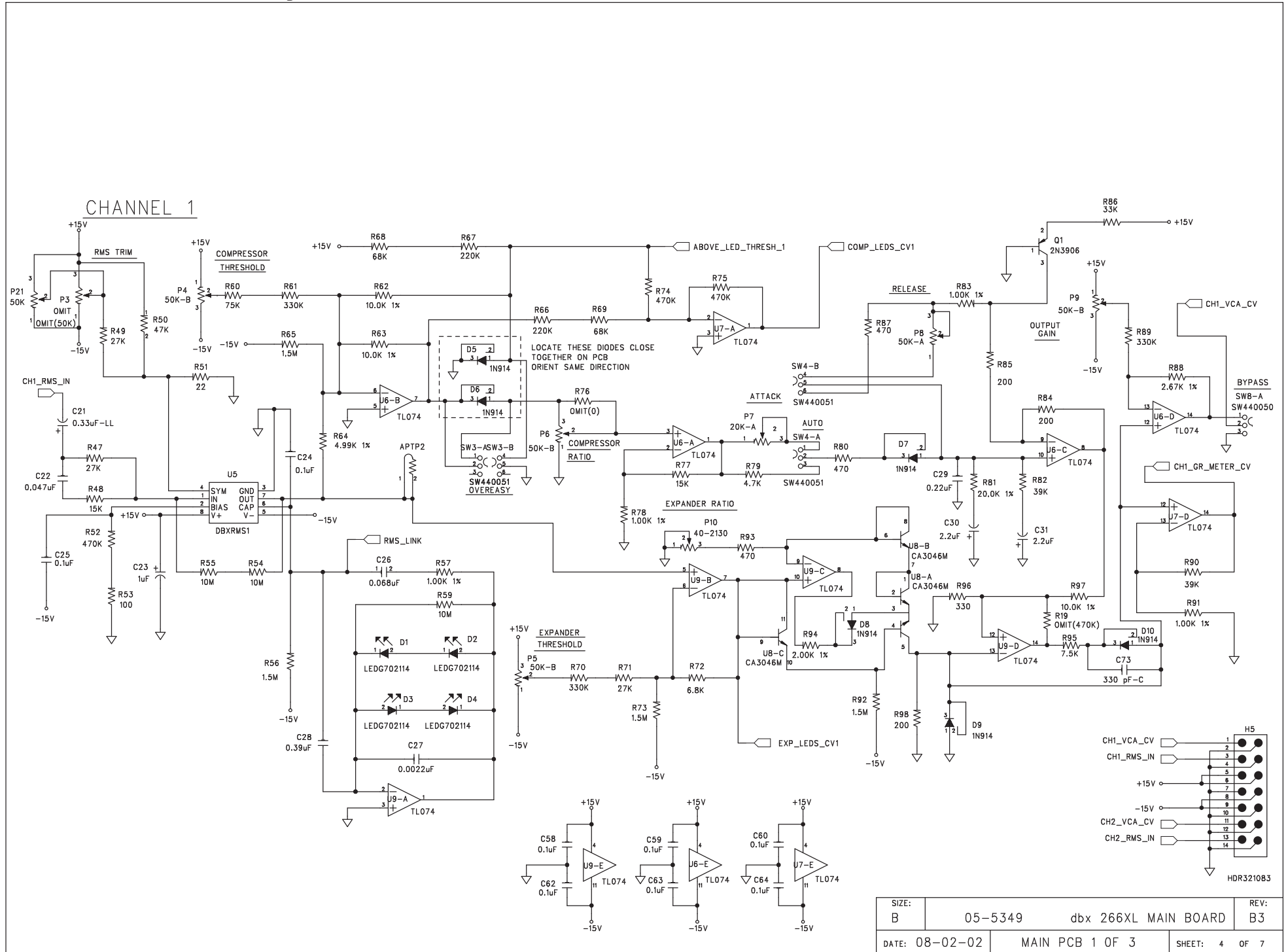


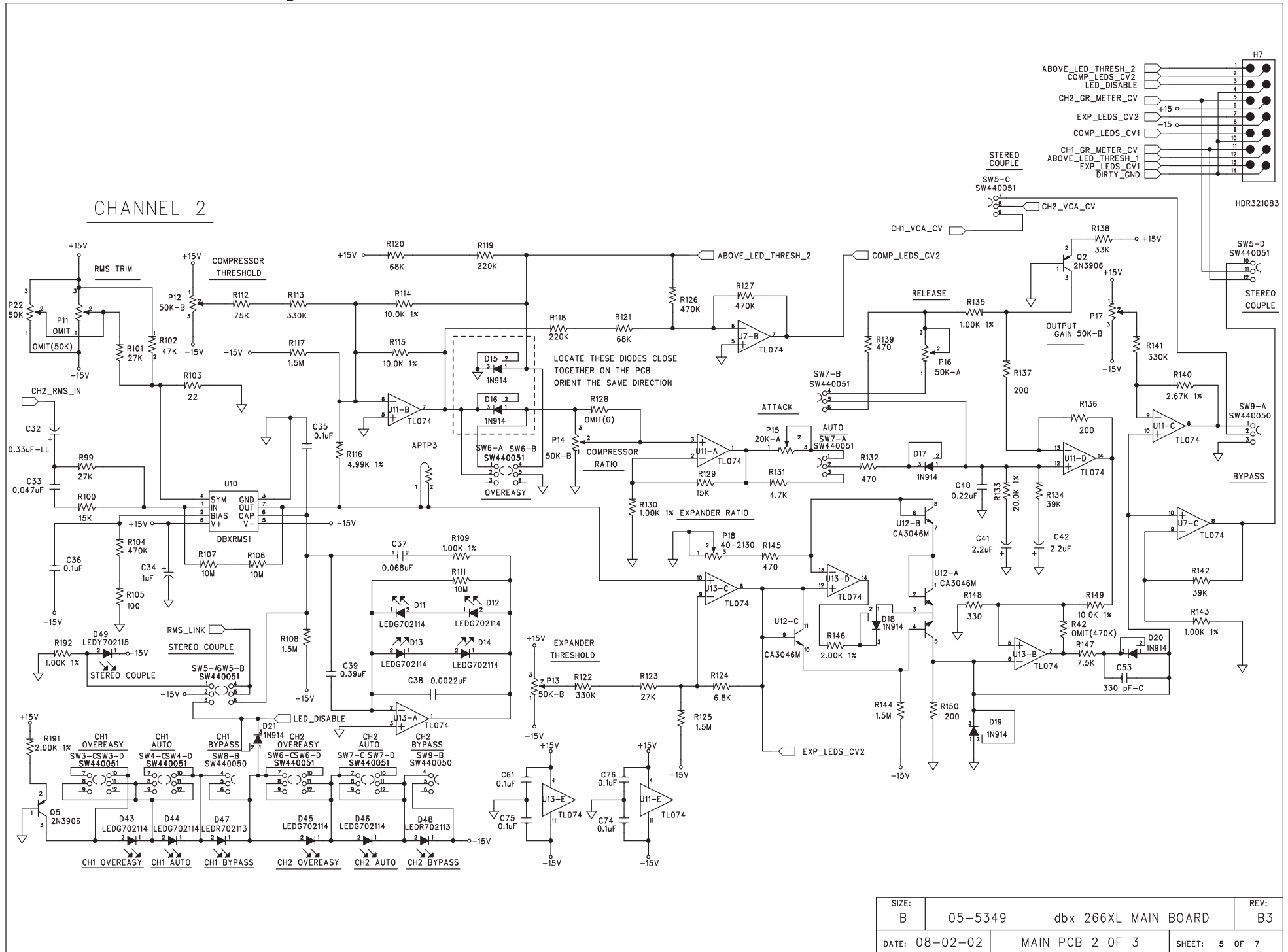
SIZE: B	05-5349 dbx 266XL REAR BOARD	REV: B3
DATE: 08-02-02	REAR PANEL PCB 1 OF 2	SHEET: 2 OF 7

CHANNEL 2



SIZE: B	05-5349 dbx 266XL REAR BOARD	REV: B3
DATE:08-02-02	REAR PANEL PCB 2 OF 2	SHEET: 3 OF 7

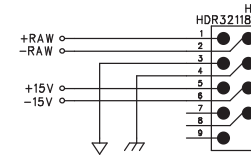
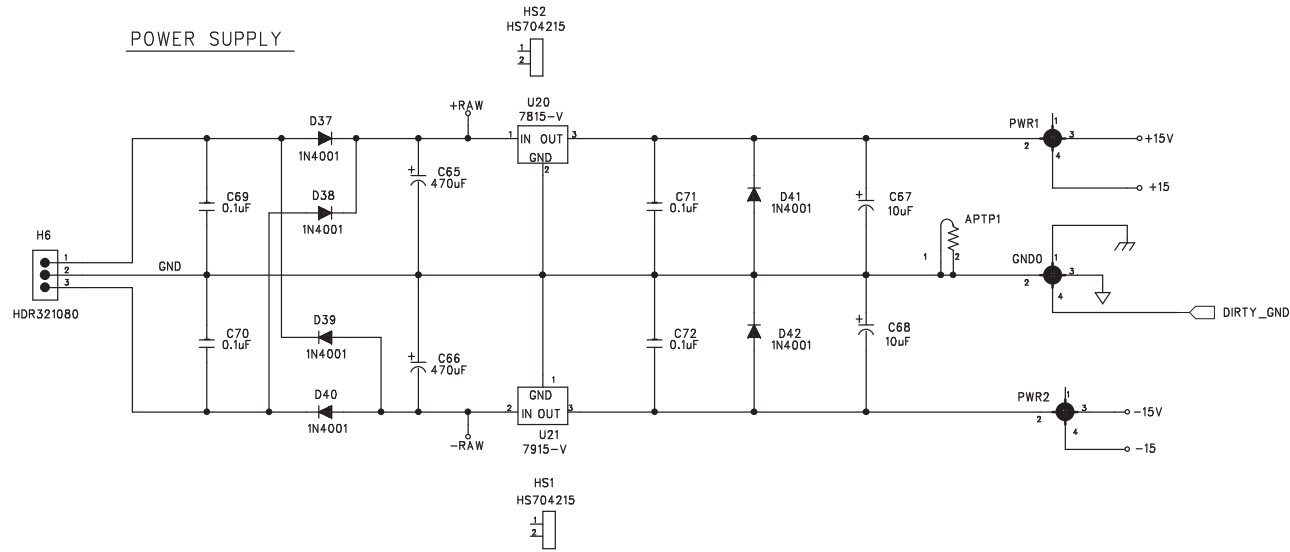




SIZE:	B	05-5349	dbx 266XL MAIN BOARD	REV:	B3
DATE:	08-02-02	MAIN PCB 2 OF 3		SHEET:	5 OF 7



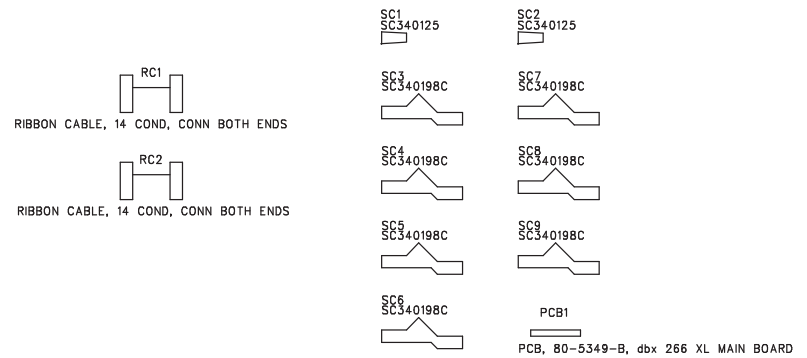
POWER SUPPLY



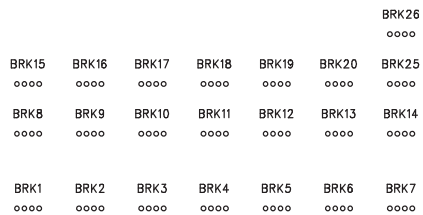
POWER SUPPLY  
TEST HEADER



MISC PARTS FOR BOM



BREAK-OFF TABS FOR BOARD SEPARATION



SIZE:	B	05-5349	dbx 266XL MAIN BOARD	REV:	B3
DATE:	08-02-02	MAIN PCB	3 OF 3	SHEET:	7 OF 7

Bill Of Materials for 055349b3.SCH on Fri Aug 02 13:00:16 2002

Qty	Reference	HMG#	Description	Audit	Schematic Part	PCB Decal
1	PCB1	80-5349-B	PCB, 80-5349-B, dbx 266 XL MAIN BOARD	PT1046	80XXXXYY	PCBNULL
22	BRK1-20 BRK25-26	NON-PART	NON-PART, PCB ONLY, BREAKOFF PART.	PT1168	BRKOFF	BRKOFF
2	C27 C38	56-0002	CAP, 0.0022uF, FILM, 50V, 5%, RADIAL	PT1001	C0.0022UF50V5%R	RFCC200
2	C22 C33	56-0010	CAP, 0.047uF, FILM, 50V, 5%, RADIAL	PT1002	C0.047UF50V5%R	RFEC200
2	C26 C37	56-0011	CAP, 0.068uF, FILM, 50V, 5%, RADIAL	PT1076	C0.068UF50V5%R	RFEC200
34	C24-25 C35-36 C43-52 C54-64 C69-72 C74-78	62-3139	CAP, 0.1uF, CER, 50V, 20%, SMT 0805	PT1087	C0.1UC50V20%S	0805
2	C29 C40	56-0014	CAP, 0.22uF, FILM, 50V, 5%, RADIAL	PT1077	C0.22UF50V5%R	RFED200
2	C21 C32	60-0061-01	CAP, 0.33uF, ELECT-LL, 50V, 20%, RADIAL T&R	PT1082	C0.33UELL50V20%R	RED200P
2	C28 C39	56-0040	CAP, 0.39uF, FILM, 50V, 5%, RADIAL	PT1078	C0.39UF50V5%R	RFEE200
4	C3-4 C13-14	62-3140	CAP, 10pF, CER, 50V, 5%, SMT 0805	PT1088	C10PC50V5%S	0805
2	C67-68	60-0049-01	CAP, 10uF, ELEC, 16V, 20%, RADIAL	PT1080	C10UE16V20%R	RED200P
2	C23 C34	60-0044-01	CAP, 1uF, ELEC, 50V, 20%, RADIAL	PT1079	C1UE50V20%R	RED200P
4	C30-31 C41-42	60-0400	CAP, 2.2uF, ELECT, 50V, 20%, RADIAL	PT1083	C2.2UE50V20%R	REE200P
2	C7 C17	60-0402	CAP, 22uF, ELECT-NP, 25V, 20%, RADIAL	PT1084	C22UNPE25V20%R	REG200
2	C53 C73	62-3131	CAP, 330pF, CER, 50V, 10%, 0805, T&R	PT1284	C330PC50K0805	0805
12	C1-2 C5-6 C9-12 C15-16 C19-20	62-3133	CAP, 470pF, CERAMIC, 50V, 10%, SMT 0805	PT1086	C470PC50V10%S	0805
2	C65-66	60-0060	CAP, 470uF, ELECT, 35V, 20%, RADIAL	PT1081	C470UE35V20%R	REM200P
2	C8 C18	62-3132	CAP, 47pF, CER, 50V, 5%, SMT 0805	PT1085	C47PC50V5%S	0805
6	D37-42	70-0000	DIODE, 1N4001, 50V, 1 AMP, RADIAL	PT1003	D1N4001R	RDB200
17	D5-10 D15-21 D26 D29-30 D32	70-0110	DIODE, 1N914, SMT S0T-23	PT1004	D1N914-SOT-23	SOT-23
2	D24 D27	70-0151	DIODE, ZENER, 1.8V, SMT, MMSZ4678T1, SMT SOD-123	PT1005	DMMSZ4678T1-S	SOD-123
1	H1	32-1019	HDR, 14 PIN, DUAL ROW, MALE, .1 SPC, RIGHT ANGLE	PT1047	HDR321019	HC72H
1	H6	32-1080	HDR, 3 PIN, MALE, R/A, LOCKING	PT1073	HDR321080	HC3L
3	H4-5 H7	32-1083	HDR, 14 PIN, DUAL ROW, MALE, .1 SPC	PT1074	HDR321083	HC72
1	H3	32-1182	HDR, 9 PIN, DUAL ROW, .1 SPC	PT1120	HDR321182	HDR321182
2	HS1-2	70-4215	HEATSINK, TO-220, VERT	PT1054	HS704215	HS704215
6	J1-2 J5-7 J10	32-0119	JACK, 1/4 PHONO, FULL NOSE THREAD, SLIMLINE	PT1072	J320119	J320119
2	J4 J9	32-0179	CON JACK XLR R/A PCA A SERIES	PT2808	J320179	XLRF-1
2	D28 D36	70-1908	LED, RED/GRN, R/A, ANTI-TIP HOUSING	PT1092	LED2-701908	D701908
2	D22-23	70-1903	LED, GRN/YEL/RED, R/A, ANTI-TIP HOUSING	PT1090	LED3-701903	D701903
12	D1-4 D11-14 D43-46	70-2114	LED, GRN, T1, RADIAL	PT1059	LEDG702114	RLC100
2	D47-48	70-2113	LED, RED, T1, RADIAL	PT1058	LEDR702113	RLC100
2	D25 D35	70-1904	LED, RED, 8 POS, R/A, ANTI-TIP HOUSING	PT1091	LEDR8-701904	D701904
1	D49	70-2115	LED, YEL, T1, RADIAL	PT1060	LEDY702115	RLC100
3	GND0 PWR1-2	NON-PART	NON-PART, MECCA GND/PWR TIE POINT, 4 POS	PT1043	MECCA4	MECCA4
12	MH1-12	NON-PART	NON-PART, MOUNTING HOLE, 0.156" NON-PLATED	PT1044	MH156	MH156
1	MP13	NON-PART	NON-PART, 300 PAD, 156 HOLE, PLATED	PT1045	MP300H156	MP300H156
2	J3 J8	32-0177	CON PLUG XLR R/A PCA A SERIES	PT2807	P320177	XLRF-1
2	P7 P15	40-2132	POT, 20K, A, 16mm, ROT, 15mm D-SHAFT, 41-CLICK	PT1066	P20K402132	P16-15DH
2	P8 P16	40-2136	POT, 50K, A, 16mm, ROT, 15mm D-SHAFT, 41-CLICK	PT1067	P50K402136	P16-15DH
8	P4-6 P9 P12-14 P17	40-2138	POT, 50K, B, 16mm, ROT, 15mm D-SHAFT, 41-CLICK	PT1068	P50K402138	P16-15DH
4	P19-22	42-0221	POT, 50K, TRIM, HORIZONTAL MNT, VERT ADJUST, AMMO	PT1119	P50K420221	PTRIM1
4	P1-3 P11	OMIT	OMIT, POT, 50K, TRIM, 10mm, VERTICAL ADJUST, 42-0222	PT1122	P50K420222-O	P10-V
2	P10 P18	40-2130	POT, 5K, C, 16mm, ROT, 15mm D-SHAFT, 41-CLICK	PT1065	P5K402130	P16-15DH
5	Q1-5	70-1059	XSTR, 2N3906, PNP, SM SOT-23	PT1057	Q2N3906-S	SOT-23
2	R76 R128	OMIT	OMIT, RES, FOR 0 OHM, 5%, 1/10W, SMT 0805	PT1006	R0-0805-O	0805
3	APTP1-3	50-0317	RES, 0 OHM, 5%, 1/4W, RADIAL	PT1008	R0-R	RRA200
13	R57 R78 R83 R91 R109 R130 R135 R143 R170 R172 R185 R187 R192	52-4505	RES, 1.00K OHM, 1%, 1/10W, SMT 0805	PT1037	R1.00K-1%-0805	0805
8	R56 R65 R73 R92 R108 R117 R125 R144	50-1540	RES, 1.5M OHM, 5%, 1/10W, SMT 0805	PT1033	R1.5M-0805	0805
9	R62-63 R97 R114-115 R149 R160-161 R175	52-4500	RES, 10.0K OHM, 1%, 1/10W, SMT 0805	PT1034	R10.0K-1%-0805	0805



6	R1 R3 R24 R26 R53 R105	50-1515	RES, 100 OHM, 5%, 1/10W, SMT 0805	PT1018 R100-0805	0805
6	R54-55 R59 R106-107 R111	50-1539	RES, 10M OHM, 5%, 1/10W, SMT 0805	PT1032 R10M-0805	0805
2	R16 R39	50-1526	RES, 150K OHM, 5%, 1/10W, SMT 0805	PT1026 R150K-0805	0805
4	R48 R77 R100 R129	50-1516	RES, 15K OHM, 5%, 1/10W, SMT 0805	PT1019 R15K-0805	0805
2	R154 R189	50-1506	RES, 1M OHM, 5%, 1/10W, SMT 0805	PT1011 R1M-0805	0805
17	R7 R12 R17 R30 R35 R40 R94 R146 R167-169 R171 R182-184 R186 R191	52-4506	RES, 2.00K OHM, 1%, 1/10W, SMT 0805	PT1038 R2.00K-1%-0805	0805
2	R88 R140	52-4507	RES, 2.67K OHM, 1%, 1/10W, SMT 0805	PT1039 R2.67K-1%-0805	0805
14	R2 R4-6 R9-10 R25 R27-29 R32-33 R81 R133	52-4501	RES, 20.0K OHM, 1%, 1/10W, SMT 0805	PT1035 R20.0K-1%-0805	0805
10	R8 R15 R31 R38 R84-85 R98 R136-137 R150	50-1510	RES, 200 OHM, 5%, 1/10W, SMT 0805	PT1013 R200-0805	0805
2	R51 R103	50-1532	RES, 22 OHM, 5%, 1/10W, SMT 0805	PT1030 R22-0805	0805
4	R66-67 R118-119	50-1514	RES, 220K OHM, 5%, 1/10W, SMT 0805	PT1017 R220K-0805	0805
6	R47 R49 R71 R99 R101 R123	50-1527	RES, 27K OHM, 5%, 1/10W, SMT 0805	PT1027 R27K-0805	0805
4	R152-153 R155 R157	52-4509	RES, 3.24K OHM, 1%, 1/10W, SMT 0805	PT1040 R3.24K-1%-0805	0805
4	R96 R148 R151 R188	50-1517	RES, 330 OHM, 5%, 1/10W, SMT 0805	PT1020 R330-0805	0805
6	R61 R70 R89 R113 R122 R141	50-1519	RES, 330K OHM, 5%, 1/10W, SMT 0805	PT1022 R330K-0805	0805
4	R86 R138 R162 R177	50-1512	RES, 33K OHM, 5%, 1/10W, SMT 0805	PT1015 R33K-0805	0805
4	R82 R90 R134 R142	50-1528	RES, 39K OHM, 5%, 1/10W, SMT 0805	PT1028 R39K-0805	0805
4	R79 R131 R159 R174	50-1509	RES, 4.7K OHM 5%, 1/10W, SMT 0805	PT1012 R4.7K-0805	0805
12	R21 R44 R64 R116 R163-166 R178-181	52-4511	RES, 4.99K OHM, 1%, 1/10W, SMT 0805	PT1041 R4.99K-1%-0805	0805
6	R80 R87 R93 R132 R139 R145	50-1518	RES, 470 OHM, 5%, 1/10W, SMT 0805	PT1021 R470-0805	0805
6	R52 R74-75 R104 R126-127	50-1523	RES, 470K OHM, 5%, 1/10W, SMT 0805	PT1025 R470K-0805	0805
2	R19 R42	OMIT	OMIT RES 470K 5% 1/10W SM 0805 TA (50-1523)	PT1396 R470KC5-08050	0805
2	R50 R102	50-1502	RES, 47K OHM, 5%, 1/10W, SMT 0805	PT1009 R47K-0805	0805
6	R11 R14 R23 R34 R37 R46	52-4502	RES, 49.9 OHM, 1%, 1/10W, SMT 0805	PT1036 R49.9-1%-0805	0805
4	R20 R22 R43 R45	52-4514	RES, 57.6K OHM, 1%, 1/10W, SMT 0805	PT1042 R57.6K-1%-0805	0805
2	R72 R124	50-1513	RES, 6.8K OHM, 5%, 1/10W, SMT 0805	PT1016 R6.8K-0805	0805
4	R13 R18 R36 R41	50-1511	RES, 680 OHM, 5%, 1/10W, SMT 0805	PT1014 R680-0805	0805
4	R68-69 R120-121	50-1536	RES, 68K OHM, 5%, 1/10W, SMT 0805	PT1031 R68K-0805	0805
2	R95 R147	50-1521	RES, 7.5K OHM, 5%, 1/10W, SMT 0805	PT1024 R7.5K-0805	0805
2	R158 R173	50-1530	RES, 750 OHM, 5%, 1/10W, SMT 0805	PT1029 R750-0805	0805
2	R60 R112	50-1520	RES, 75K OHM, 5%, 1/10W, SMT 0805	PT1023 R75K-0805	0805
2	RC1-2	32-1227	RIBBON CABLE, 14 COND, CONN BOTH ENDS	PT1075 RC14C321227	PCBNULL
2	SC1-2	34-0125	SC, BLACK, ROUND	PT1061 SC340125	SC340125
7	SC3-9	34-0198-C	SC, LIGHTED, RECTANGULAR	N SC340198C	SC340198C
2	SW8-9	44-0050	SWITCH, DPDT, MINI IN-OUT, 6 PIN, E-SWITCH	PT1063 SW440050	SW440050
7	SW1-7	44-0051	SWITCH, 4PDT, MINI IN-OUT, 12 PIN, E-SWITCH	PT1064 SW440051	SW440051
2	U1 U3	72-1439	IC, 5532MD, DUAL BIPOLAR OPAMP, SMT-SO8	PT1050 U5532MD-S	SO8
1	U20	70-4123	V-REG, 7815, 1 AMP, TO-220	PT1056 U7815-V	TO220IGO-V
1	U21	70-4124	V-REG, 7915, -15V, 1 AMP, TO-220	PT1055 U7915-V	TO220GIO-V
2	U8 U12	72-4331	IC, CA3046M, NPN TRANSISTOR ARRAY, SMT SO14	PT1051 UCA3046M-S	SO14
2	U5 U10	72-4067	IC, RMS, dbxRMS1 Root-Mean-Square Detector	PT1053 UDBXRMS1	SIP8IC
2	U2 U4	72-4062	IC, VCA, dbx V1 VCA	PT1052 UDBXV1	SIP8IC
6	U14-19	72-4034	IC, LM339 QUAD COMPARATOR, SMT-SO14	PT1048 ULM339-S	SO14
5	U6-7 U9 U11 U13	72-1450	IC, TL074, OP-AMP, QUAD, JFET, -INPUT, SMT-SO14	PT1049 UTL074-S	SO14
6	WA1-6	28-0187-A	WASHER, GROUNDING FOR 32-0118/32-0119	PT1007 WA280187A	WA280187A