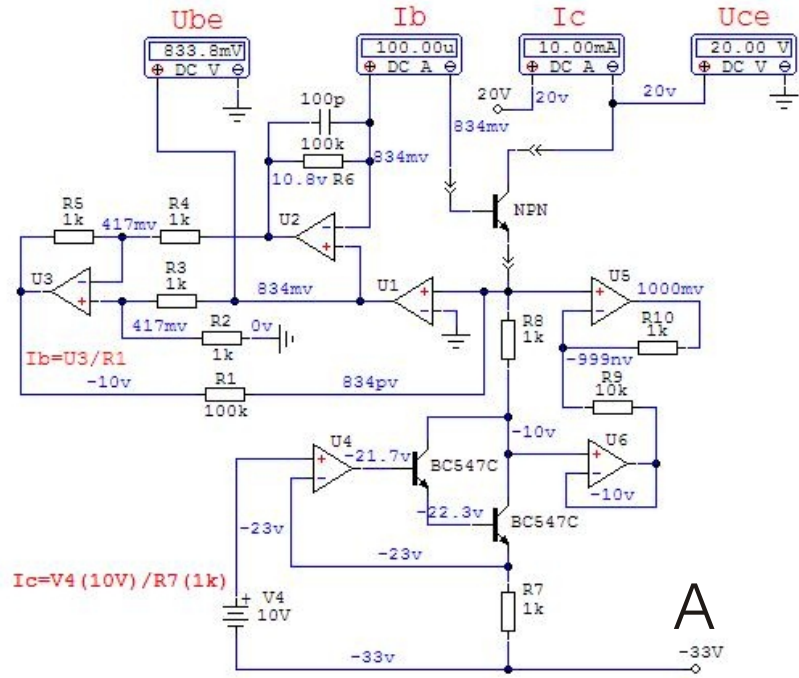
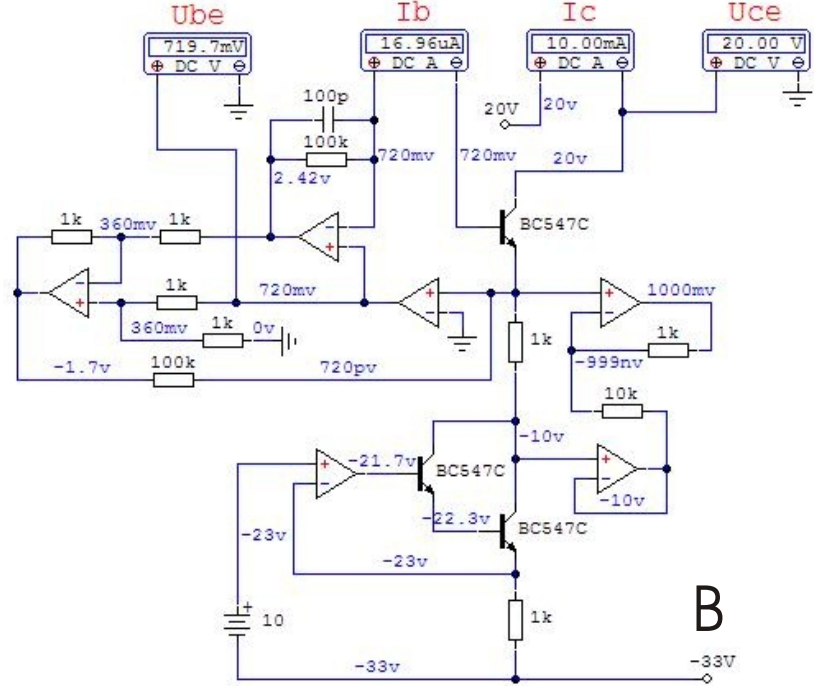


$$\beta = I_C / I_B = 100$$



$$\beta = I_C / I_B = 592$$



$$\beta = I_C / I_B = 40370$$

