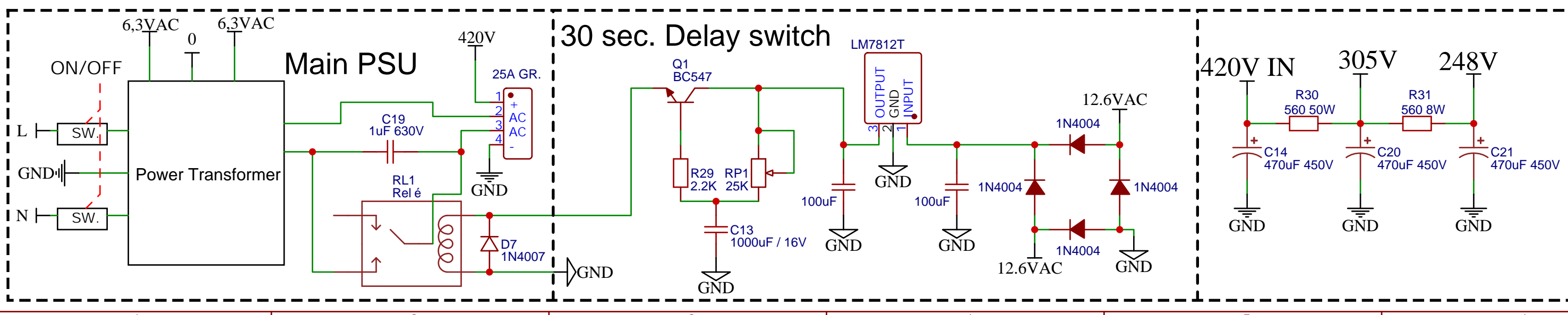


PCL86 - 12.6V
 EL34-EM84 - 6.3V



TITLE: PCL86/EI34 Audio Amplifier Schematic		REV:
Company:		Sheet: 1/1
Date: 2022-03-08	Drawn By: Kovács Bence	