

VINI+
Sheet 2,3

V+
Sheet 3,4

TO C91
Sheet 4

V0
Sheet 3

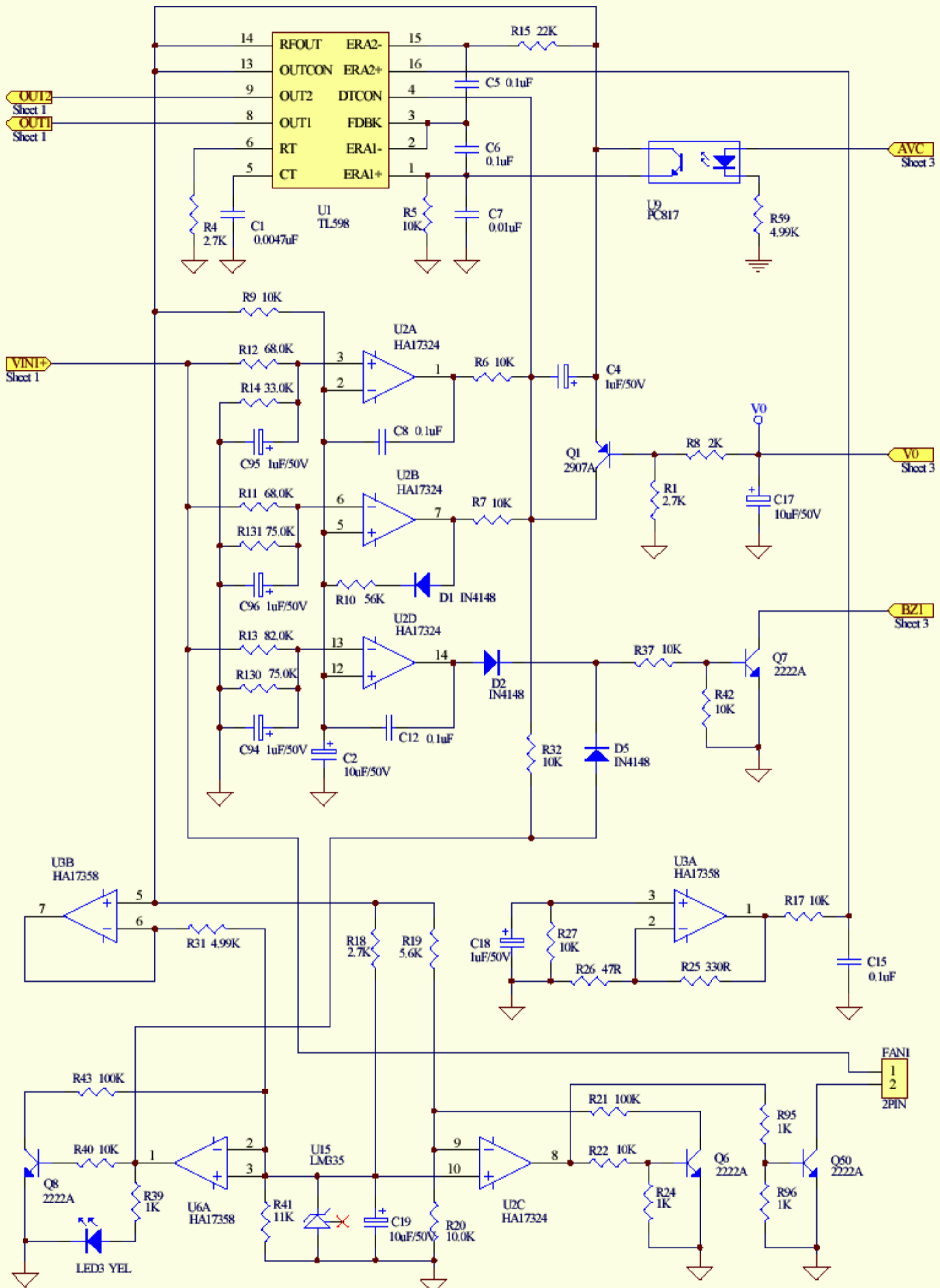
OUT2
Sheet 2

OUT1
Sheet 2

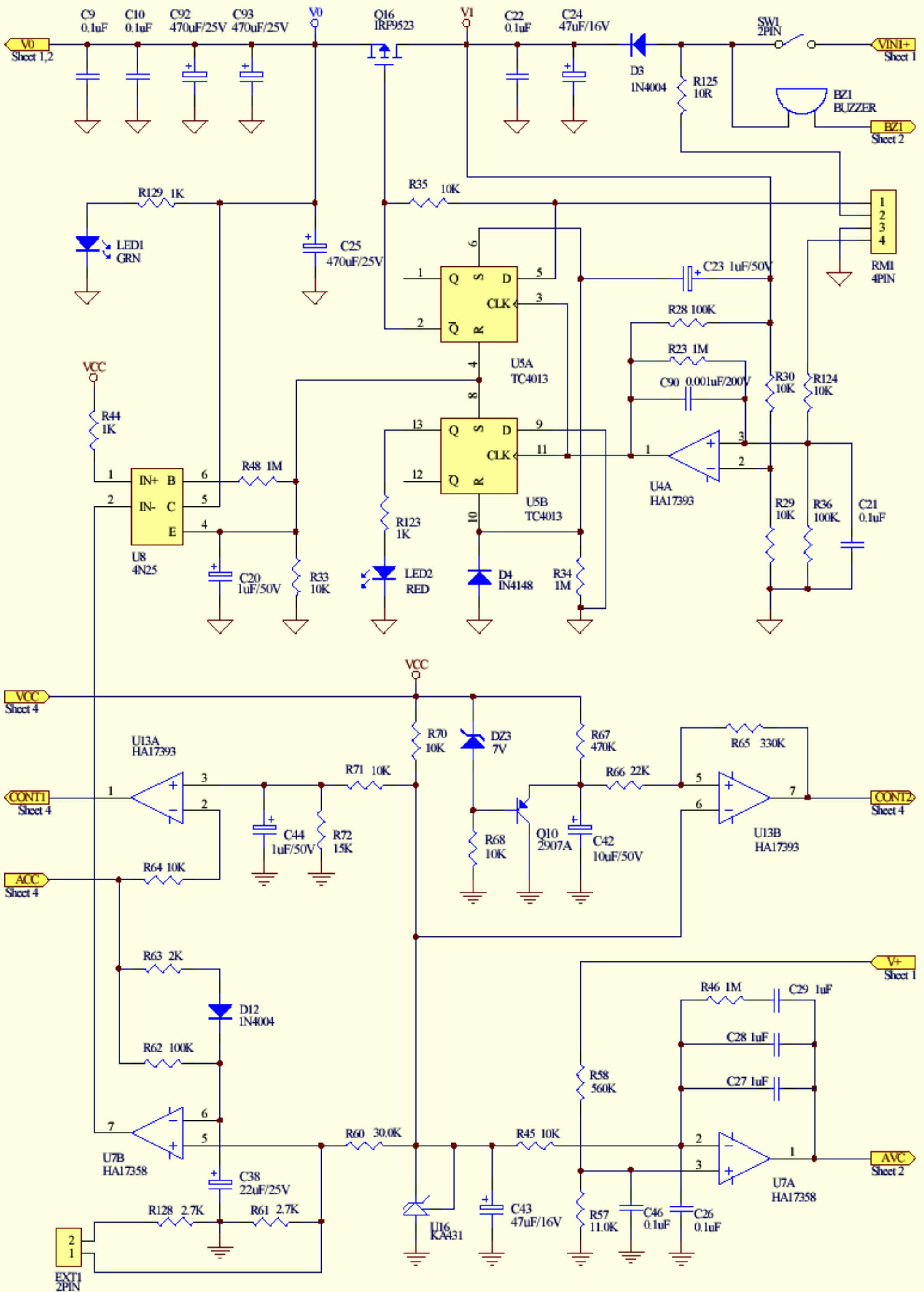
+10~15V DC INPUT



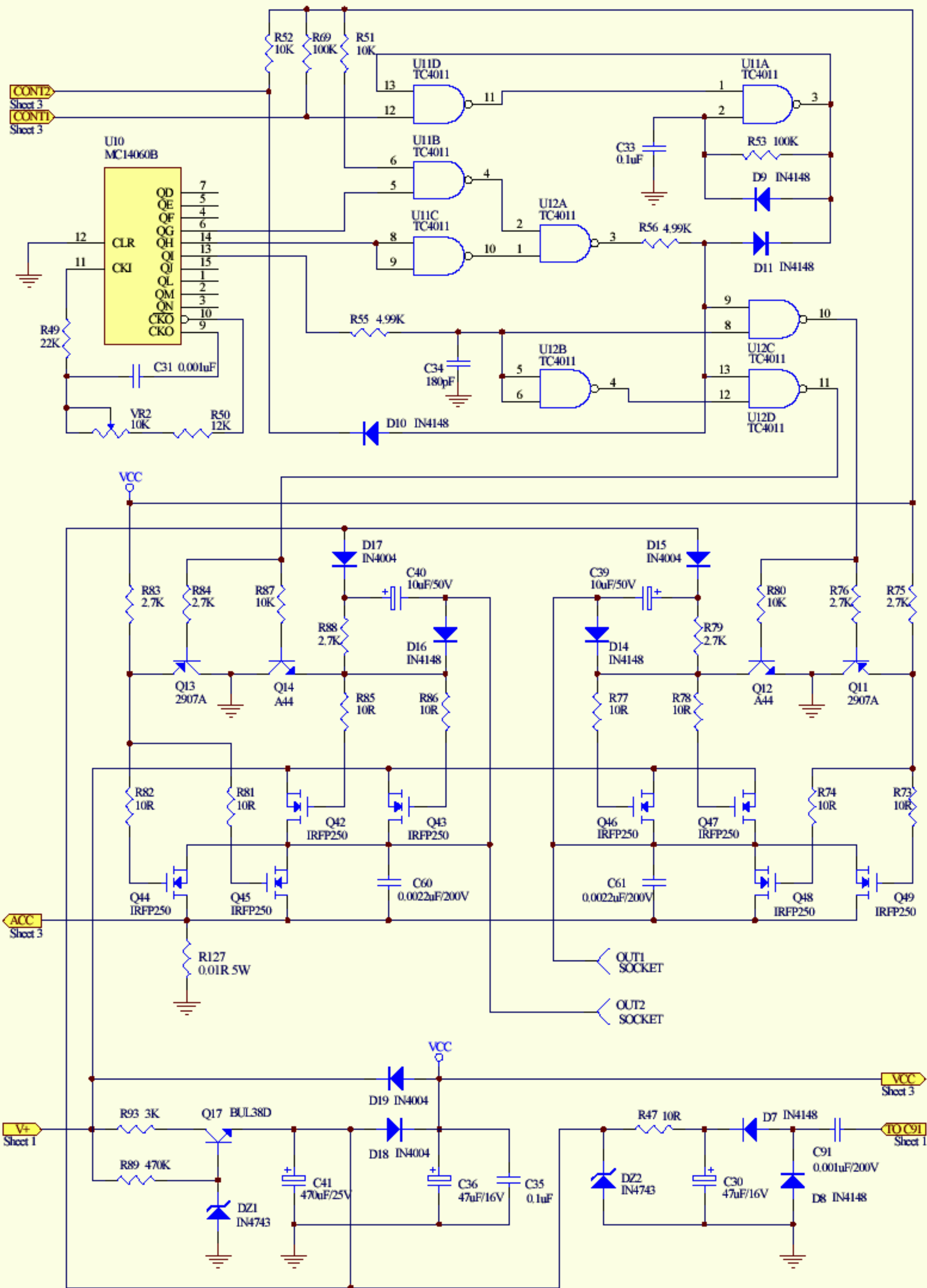
Title		DA1500 & POWER
Size	Number	Revision
A4		A



Title		
DA1500 & OSC		
Size	Number	Revision
A4		A



Title DAI500 & SWITCH		
Size A4	Number	Revision A



Title DA1500 & OUTPUT		
Size A4	Number	Revision A

