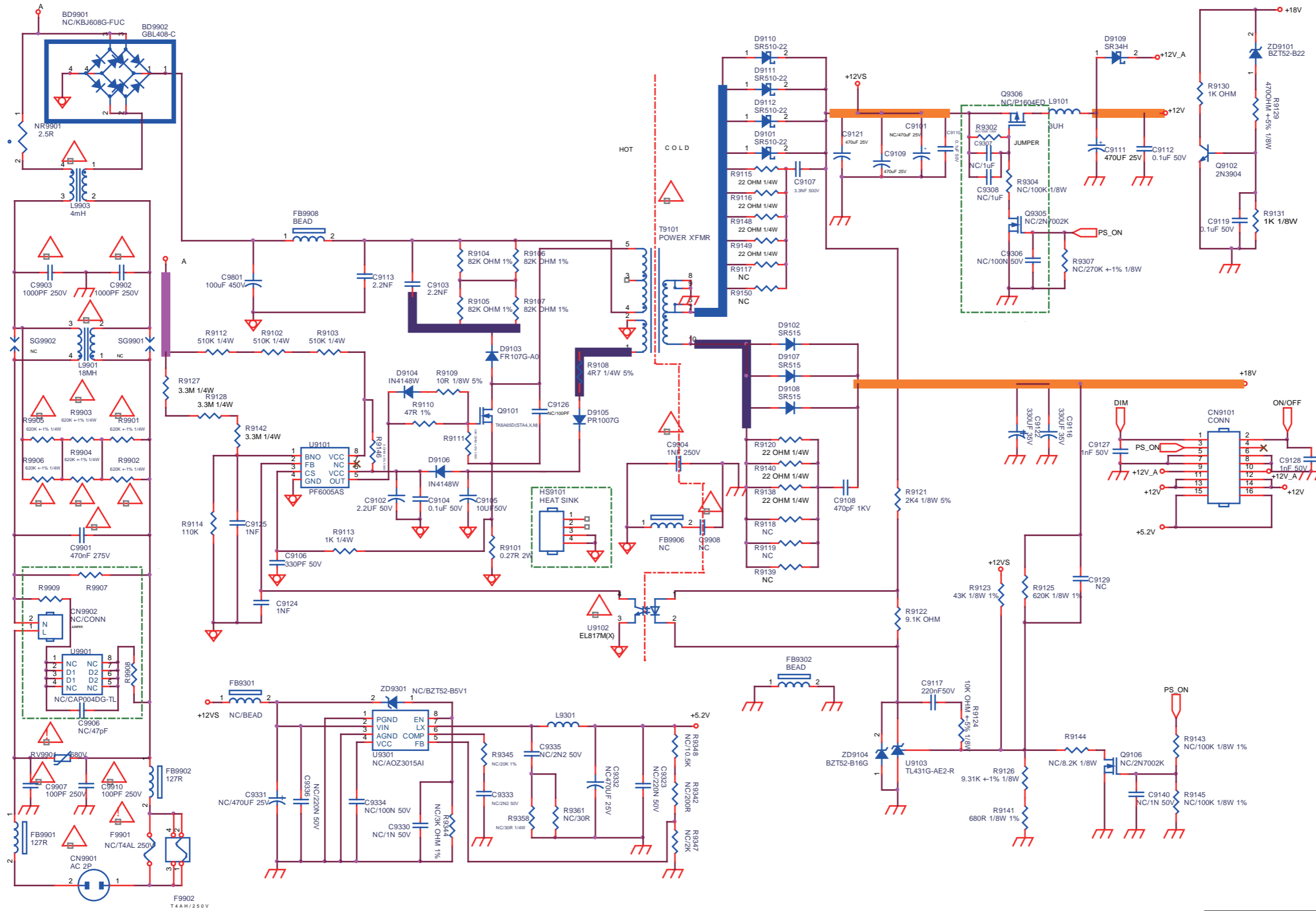


10.2 A 715G7734 PSU  
10-2-1 Power

A01 POWER

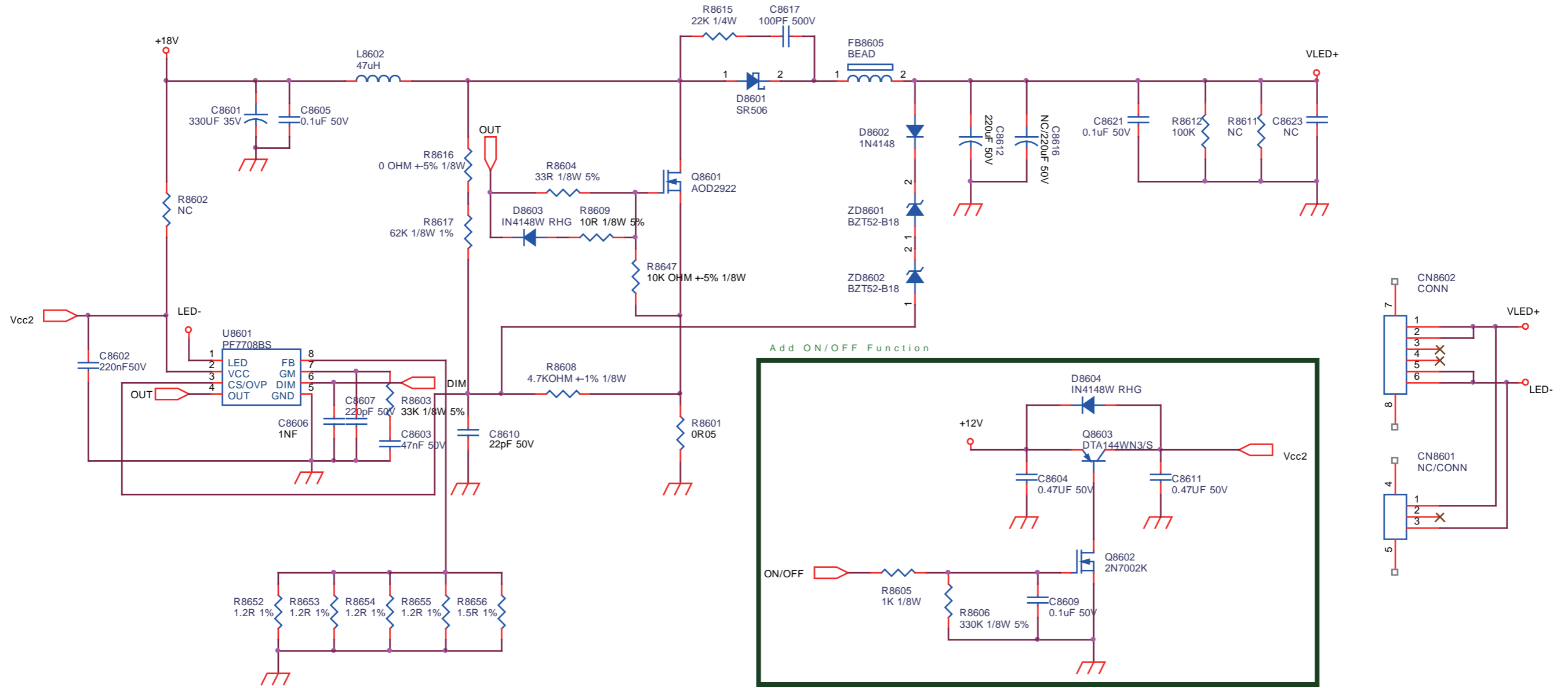
A01



POWER	715G7734	3	2016-10-28

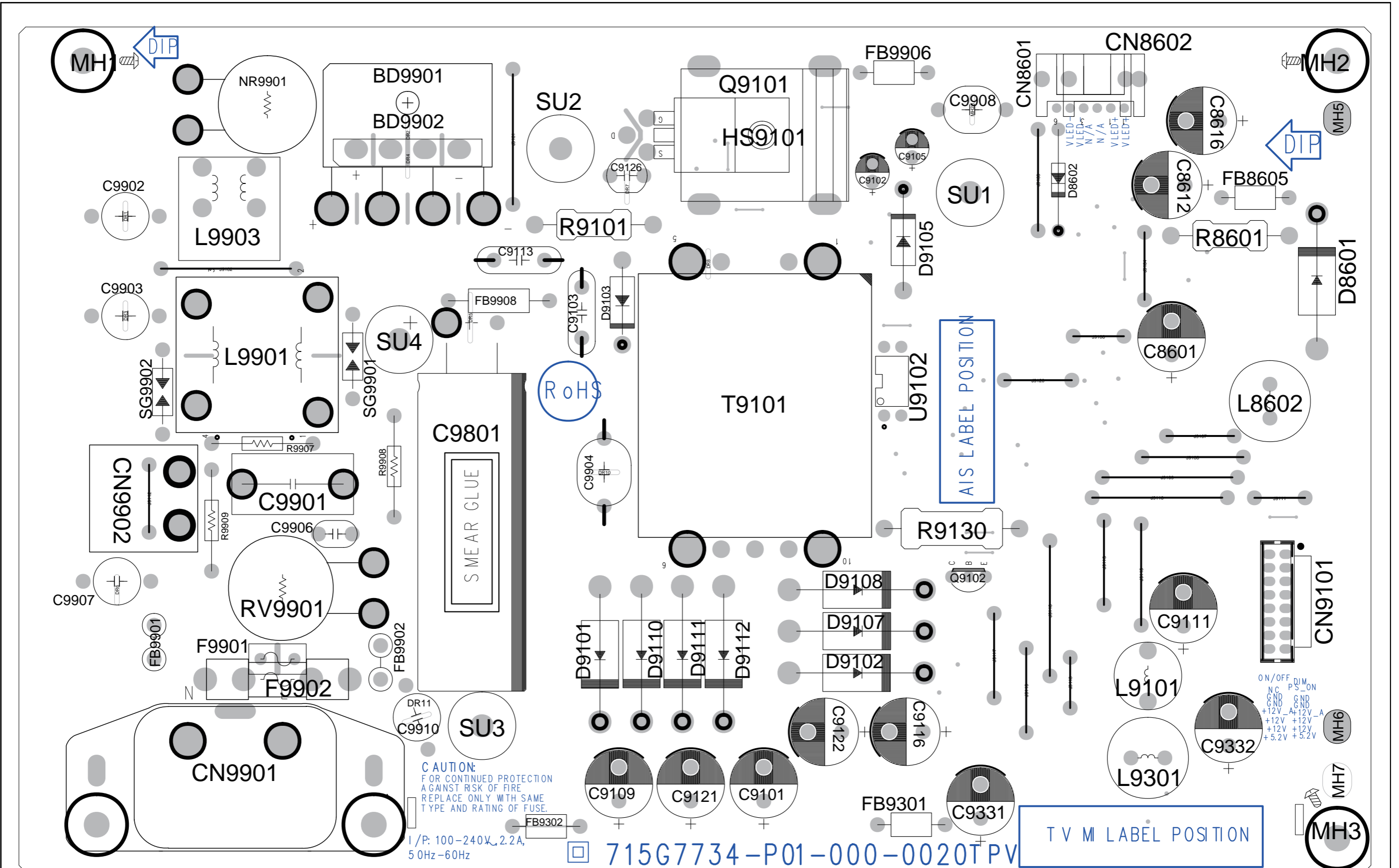
**A02** LED DRIVER

**A02**



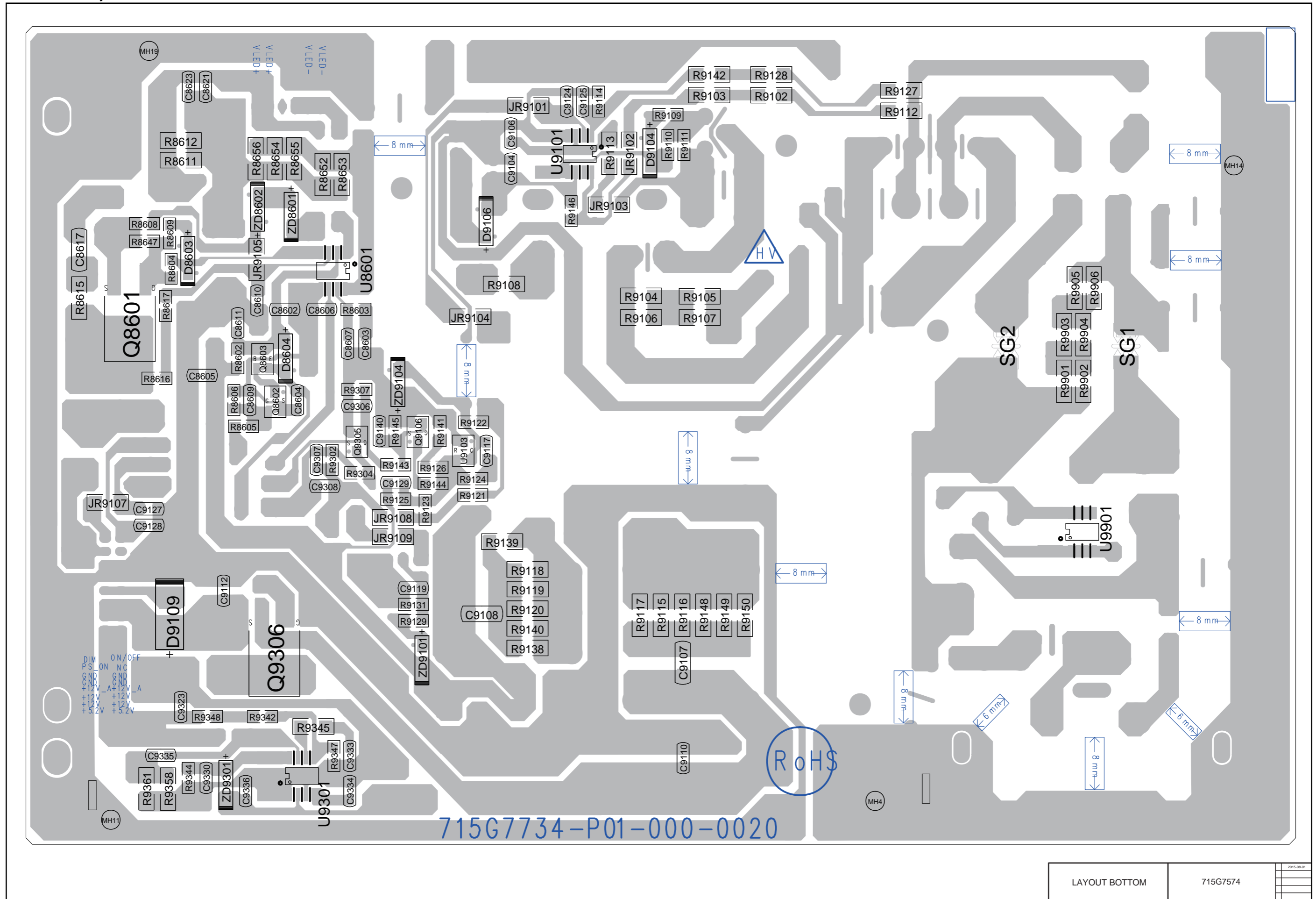
LED DRIVER	715G7734	2016-10-28

10-2-3 Power layout top



LAYOUT TOP	715G7734	2016-08-01
------------	----------	------------

10-2-4 Power layout bottom



LAYOUT BOTTOM	715G7574	2016-08-01