

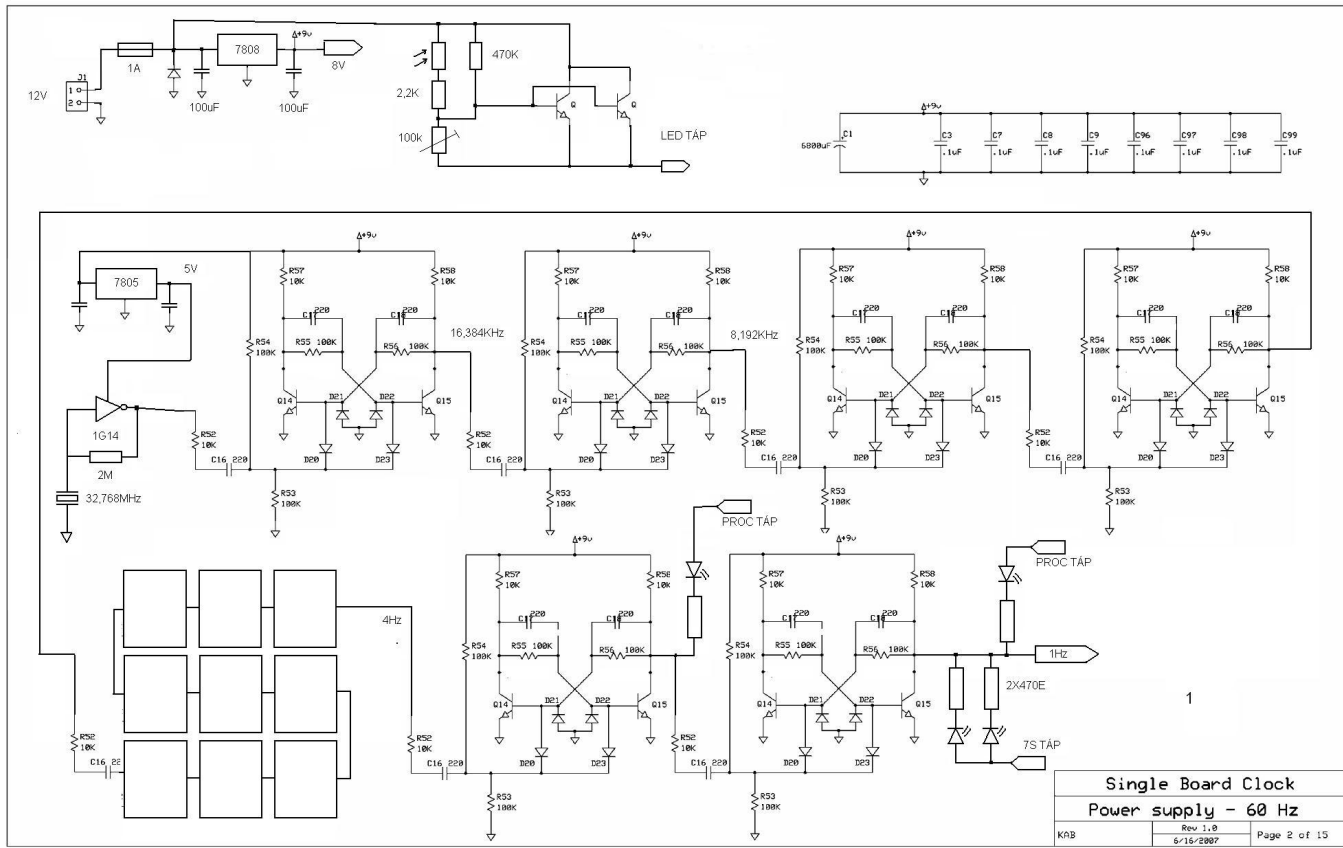
## Schematic

# Single Board Digital Clock

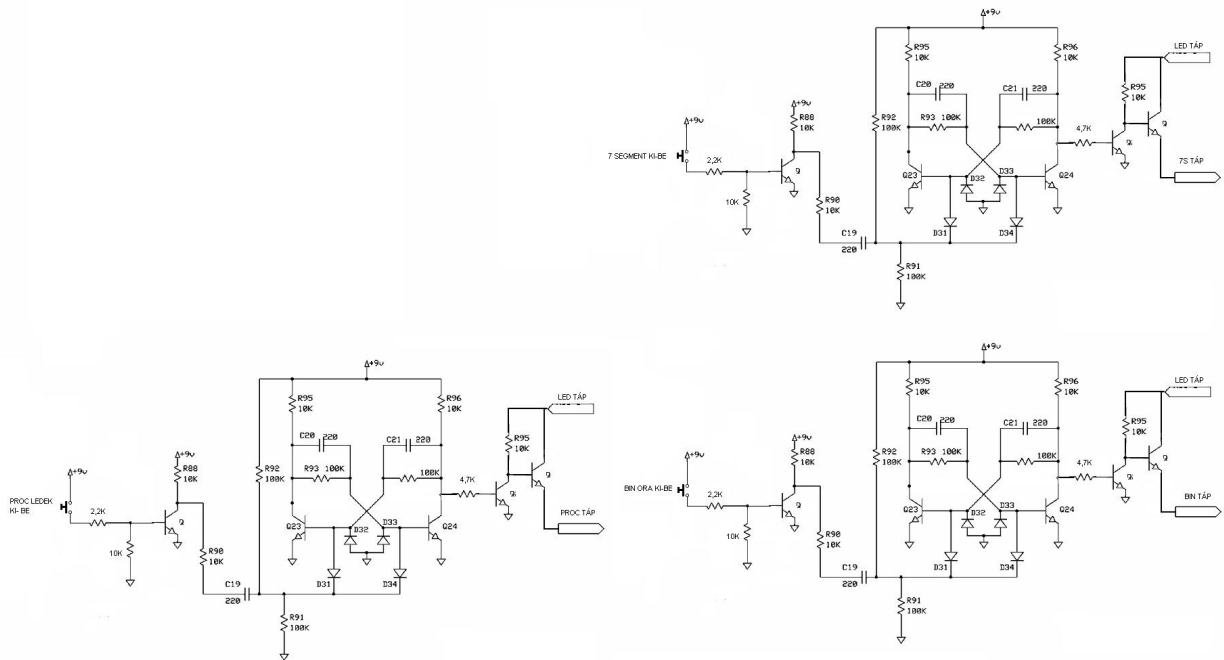
Created by Laczó

2016

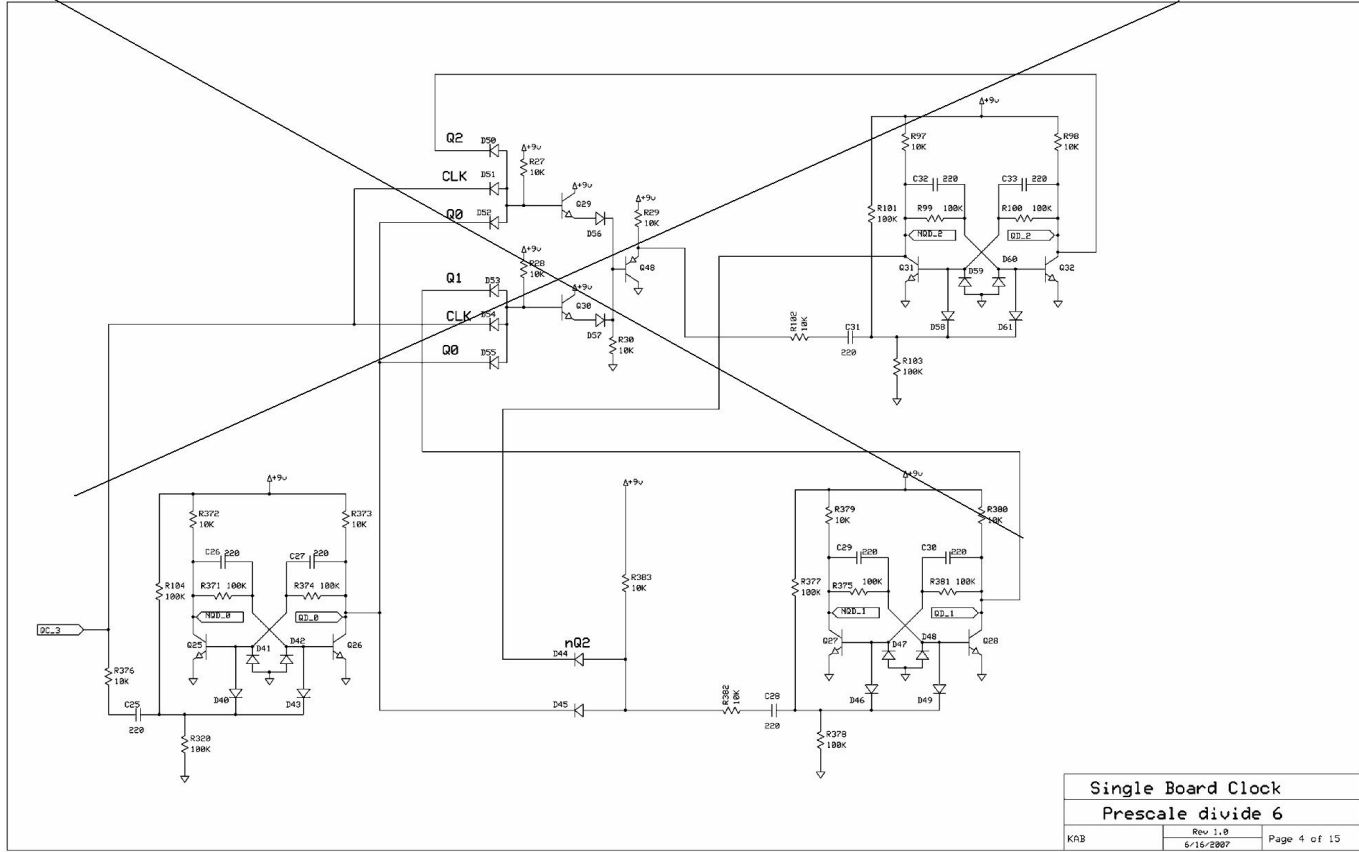
Single Board Clock		
Title Page		
K. A. Bayenn	Rev 1.0 6/16/2007	Page 1 of 15



Single Board Clock  
 Power supply - 60 Hz  
 Rev 1.0  
 6/16/2007 Page 2 of 15

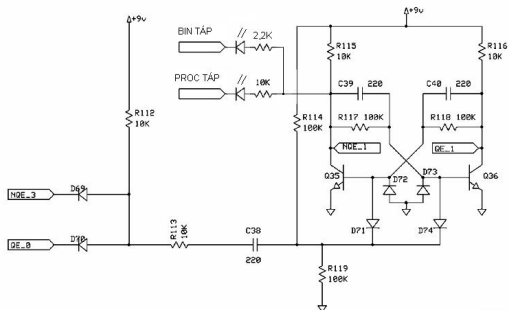
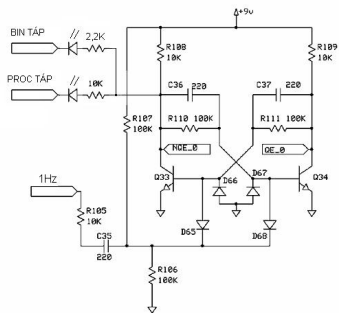
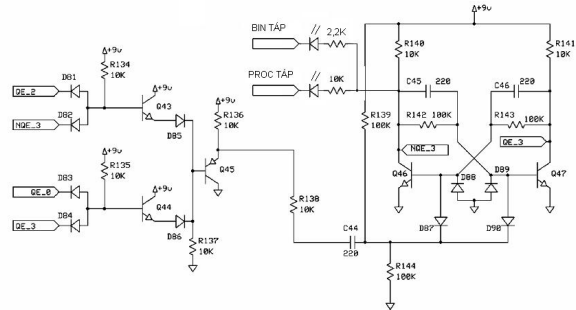
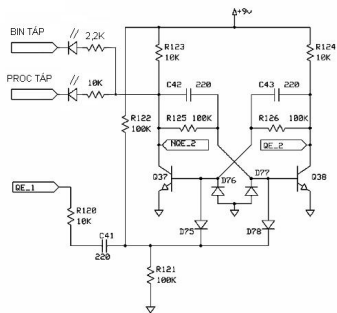


<b>Single Board Clock</b>		
<b>TASZTEROK</b>		
KAB	Rev. 1.0	Page 3 of 15
	6/16/2007	



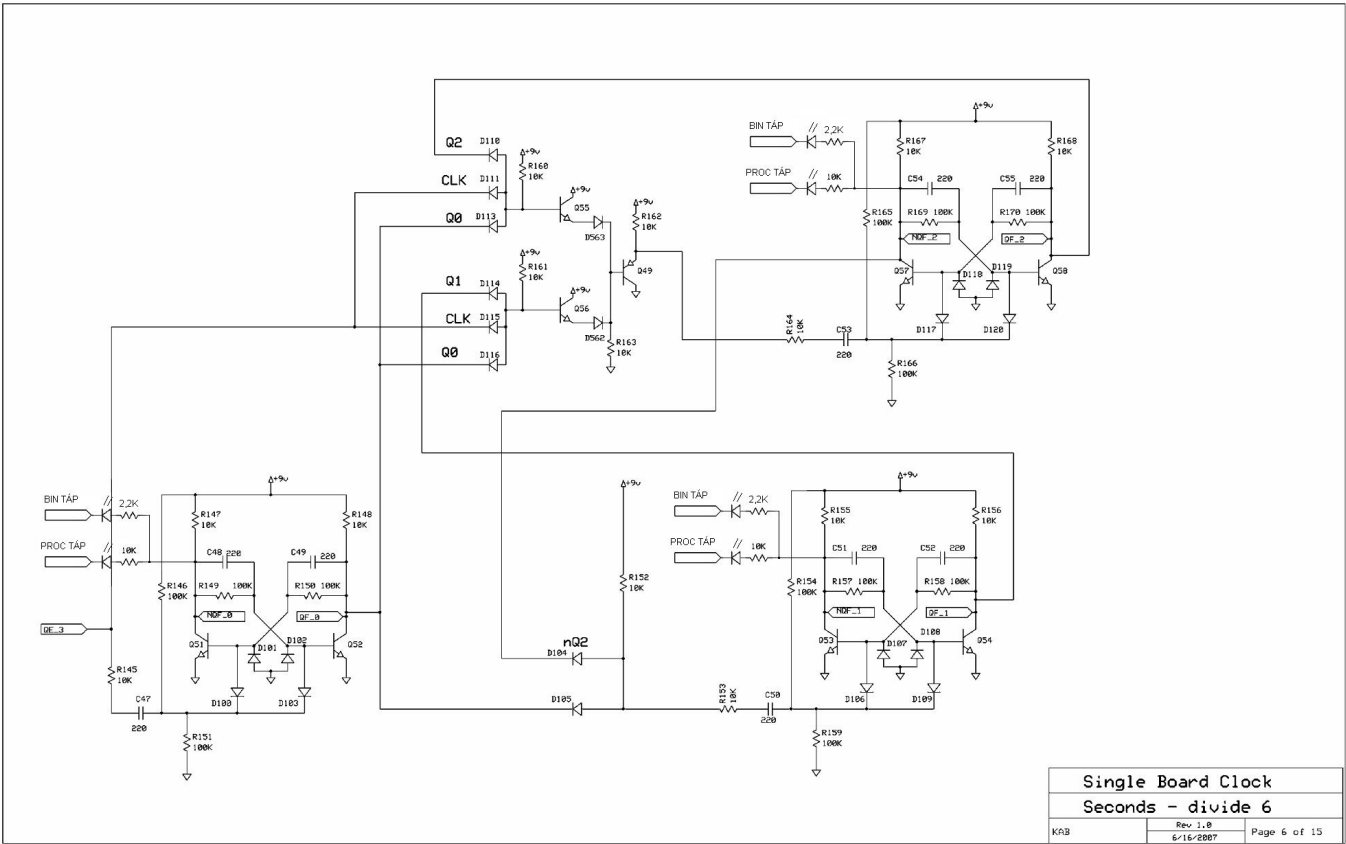
Single Board Clock  
 Prescale divide 6

KAB	Rev 1.0	Page 4 of 15
	6/16/2007	

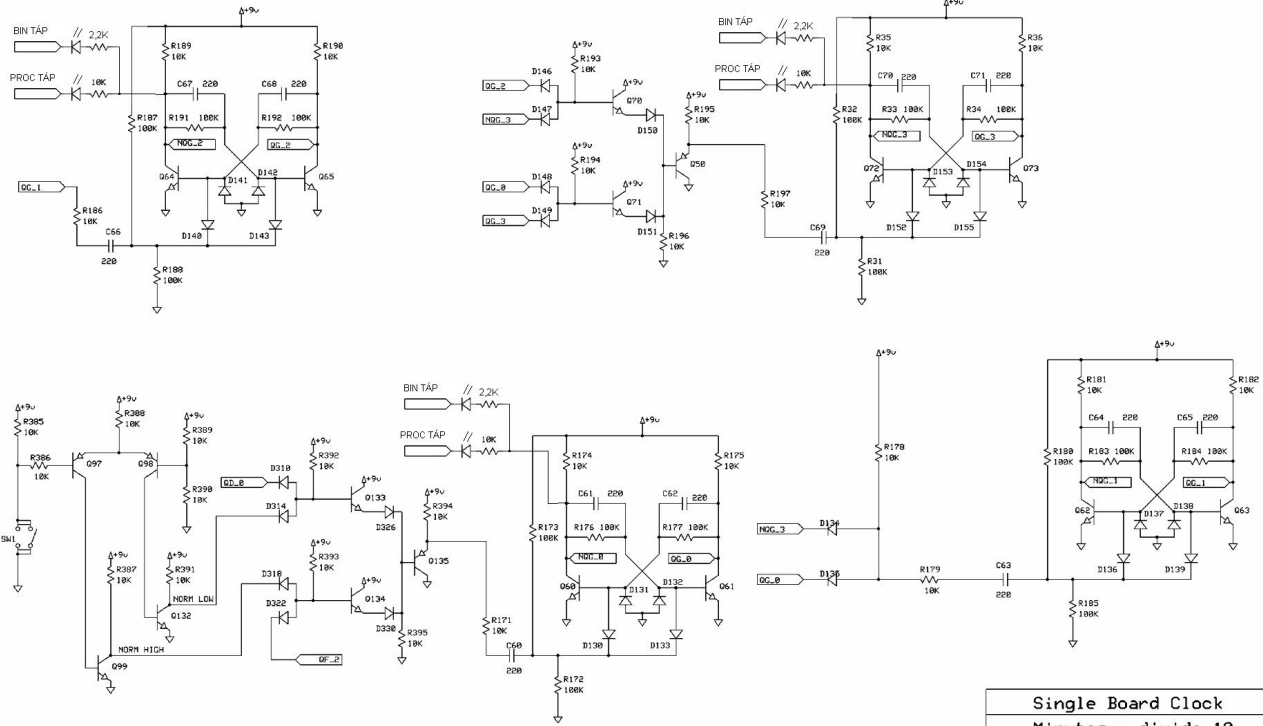


Single Board Clock  
Seconds - divide 10

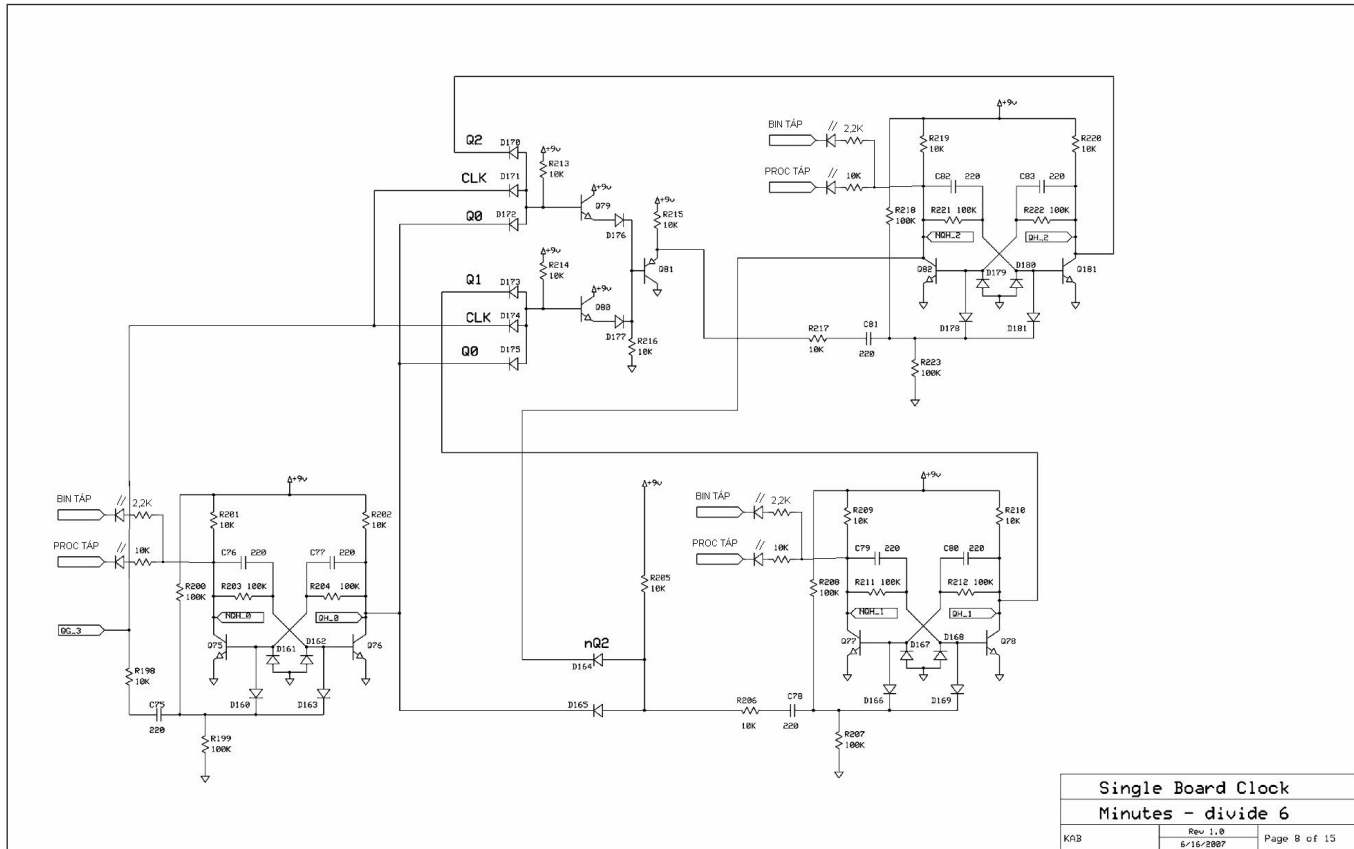
KAB Rev. 1.0 Page 5 of 15  
6-16-2007



Single Board Clock		
Seconds - divide 6		
K08	Rev 1.0	Page 6 of 15
	6-16-2007	

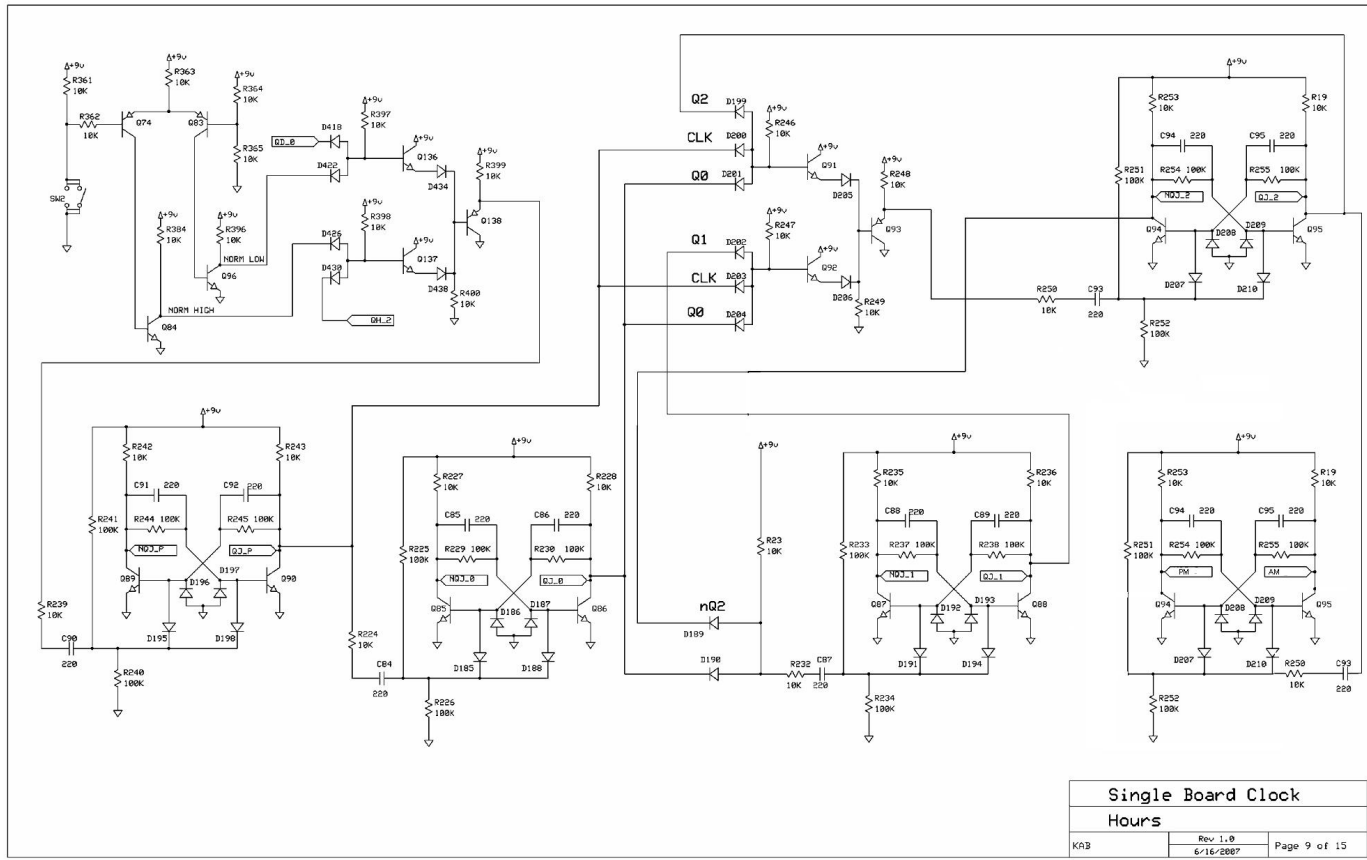


<b>Single Board Clock</b>	
<b>Minutes - divide 10</b>	
Rev. 1.0	Page 7 of 15
KAB	6/16/2007

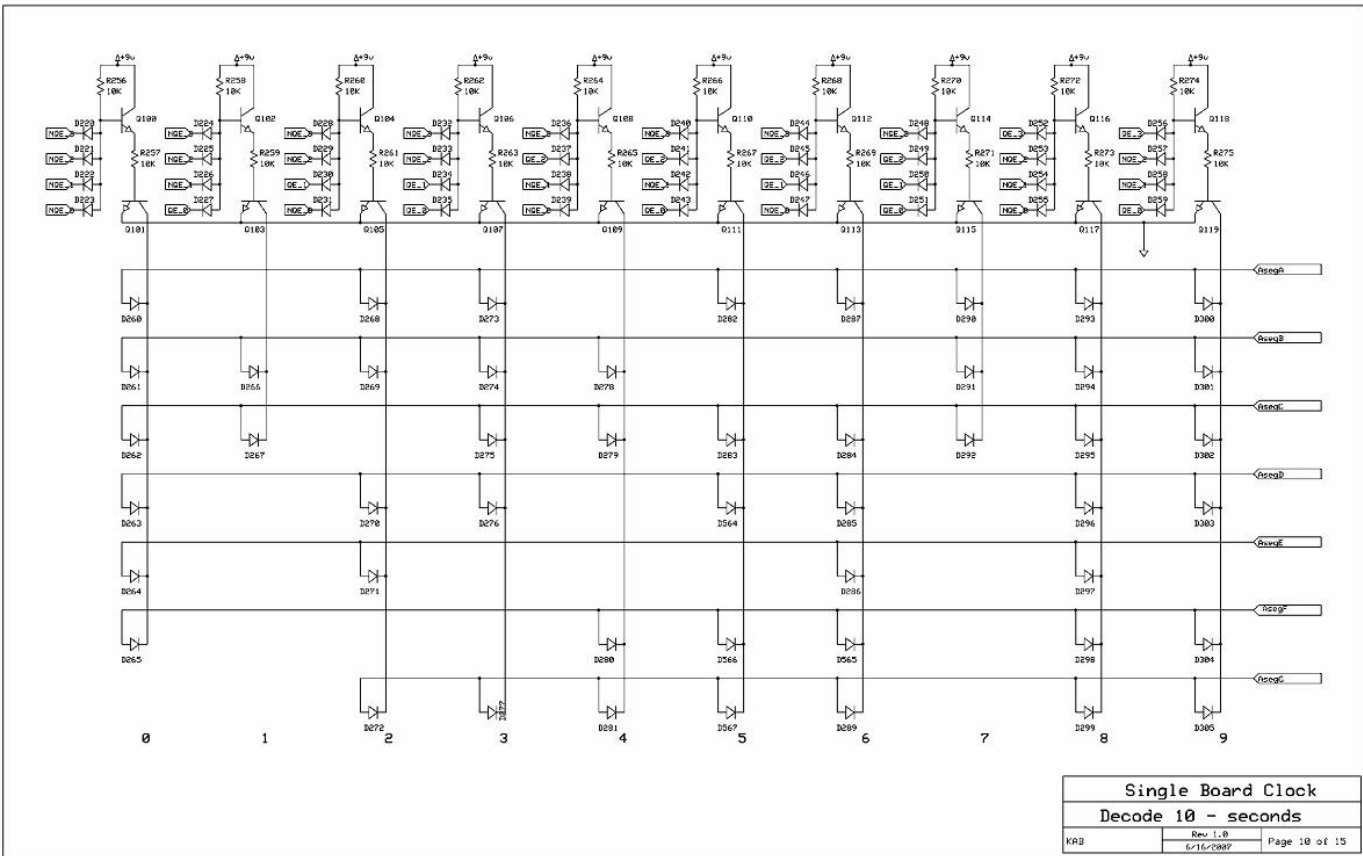


Single Board Clock		
Minutes - divide 6		
KAB	Rev 1.0	Page 8 of 15
	6/16/2007	

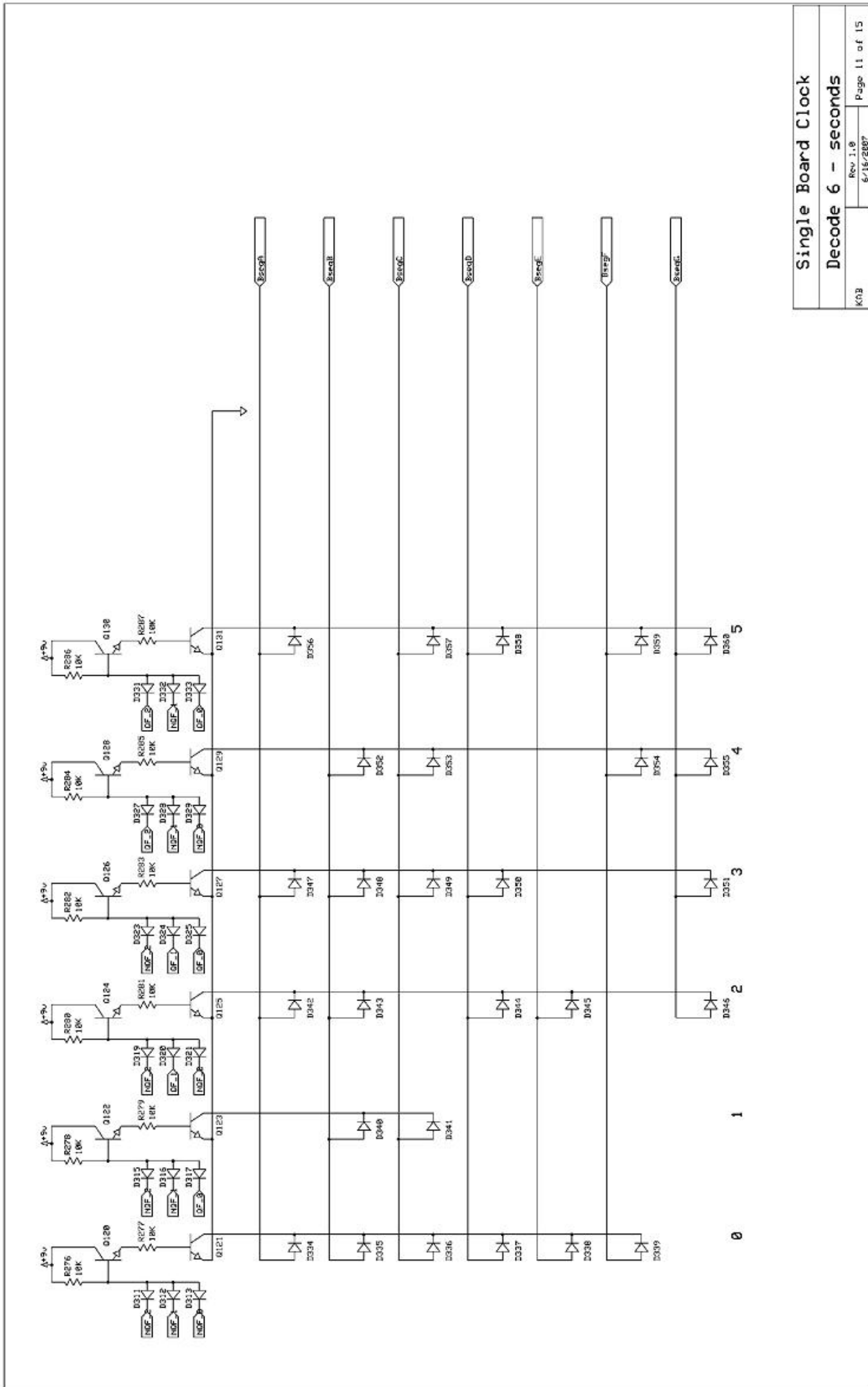




Single Board Clock		
Hours		
Rev. 1.0		
6/16/2007	Page 9 of 15	



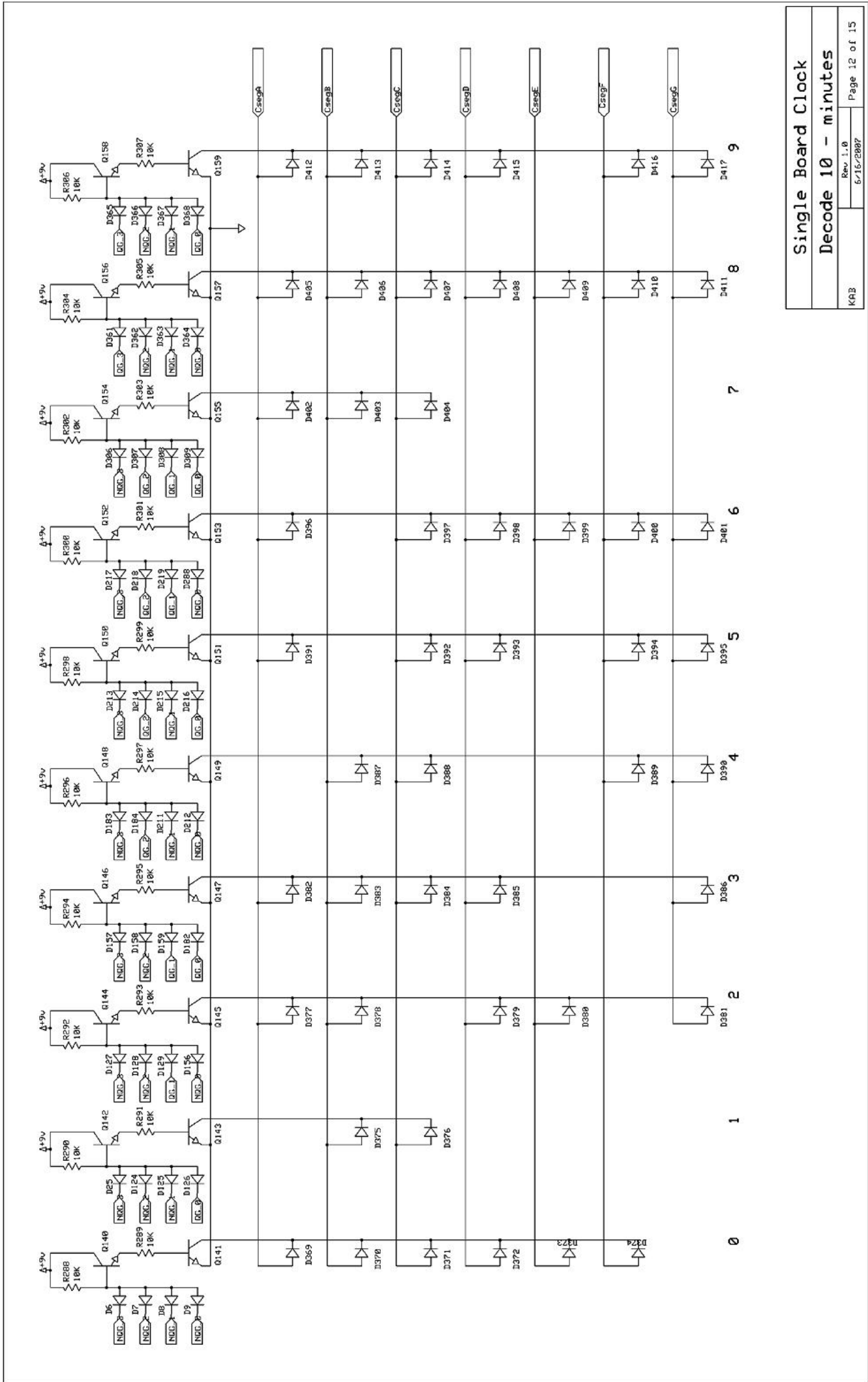
<b>Single Board Clock</b>		
<b>Decode 10 - seconds</b>		
KAB	Rev. 1.0 6-16-2007	Page 10 of 15

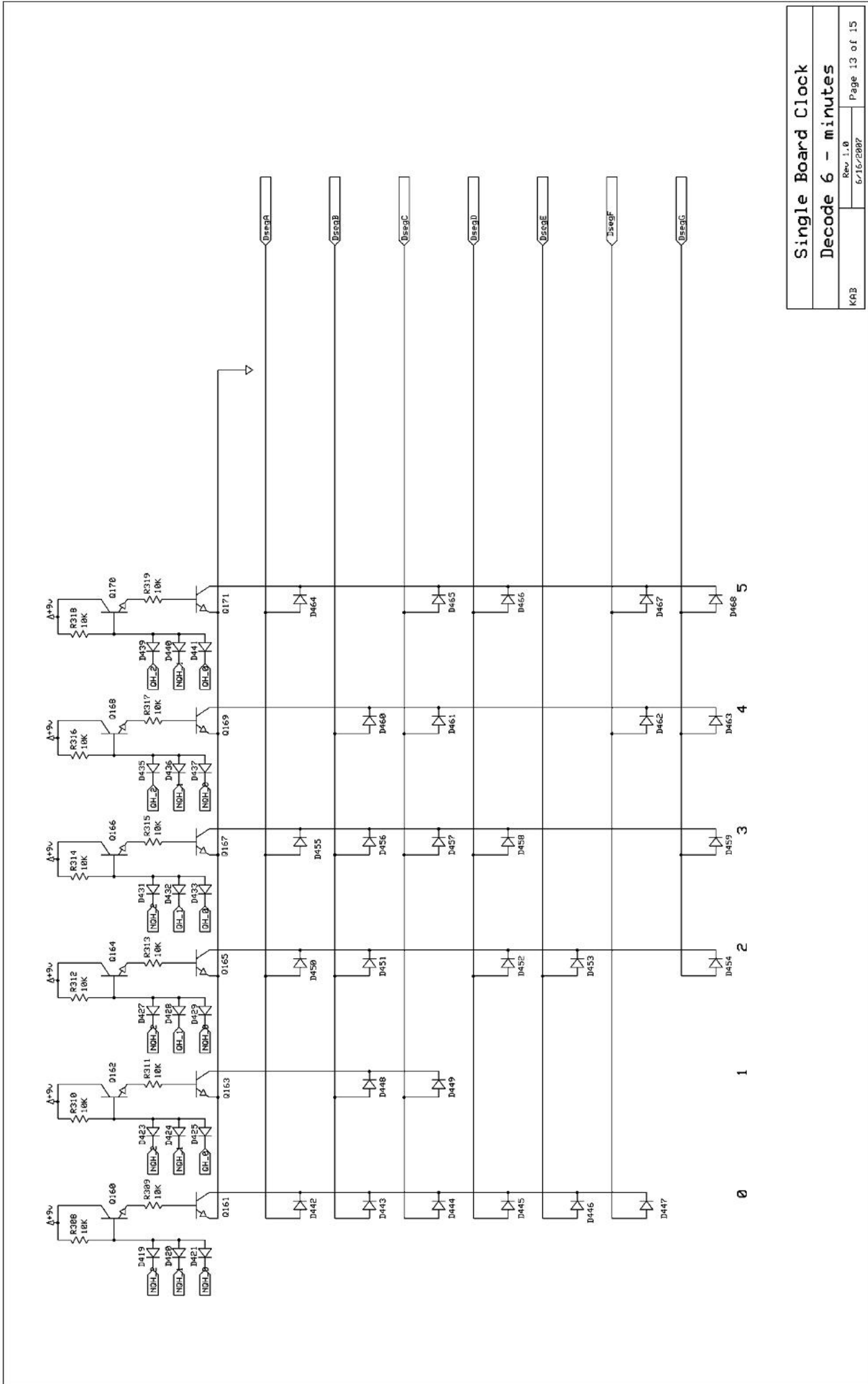


Single Board Clock

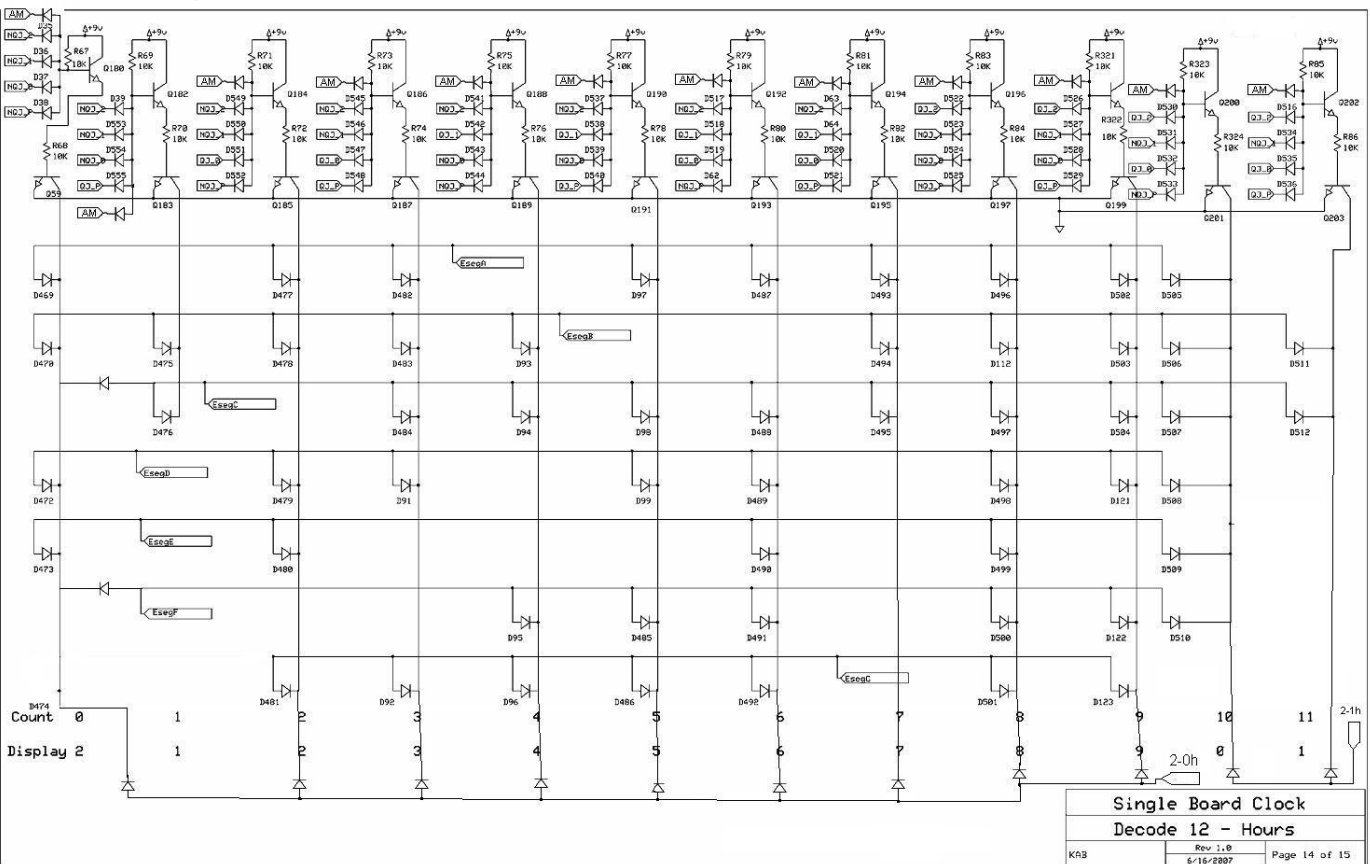
Decode 6 - seconds

Rev. 1.0  
6/16/2007  
Page 11 of 15  
K18

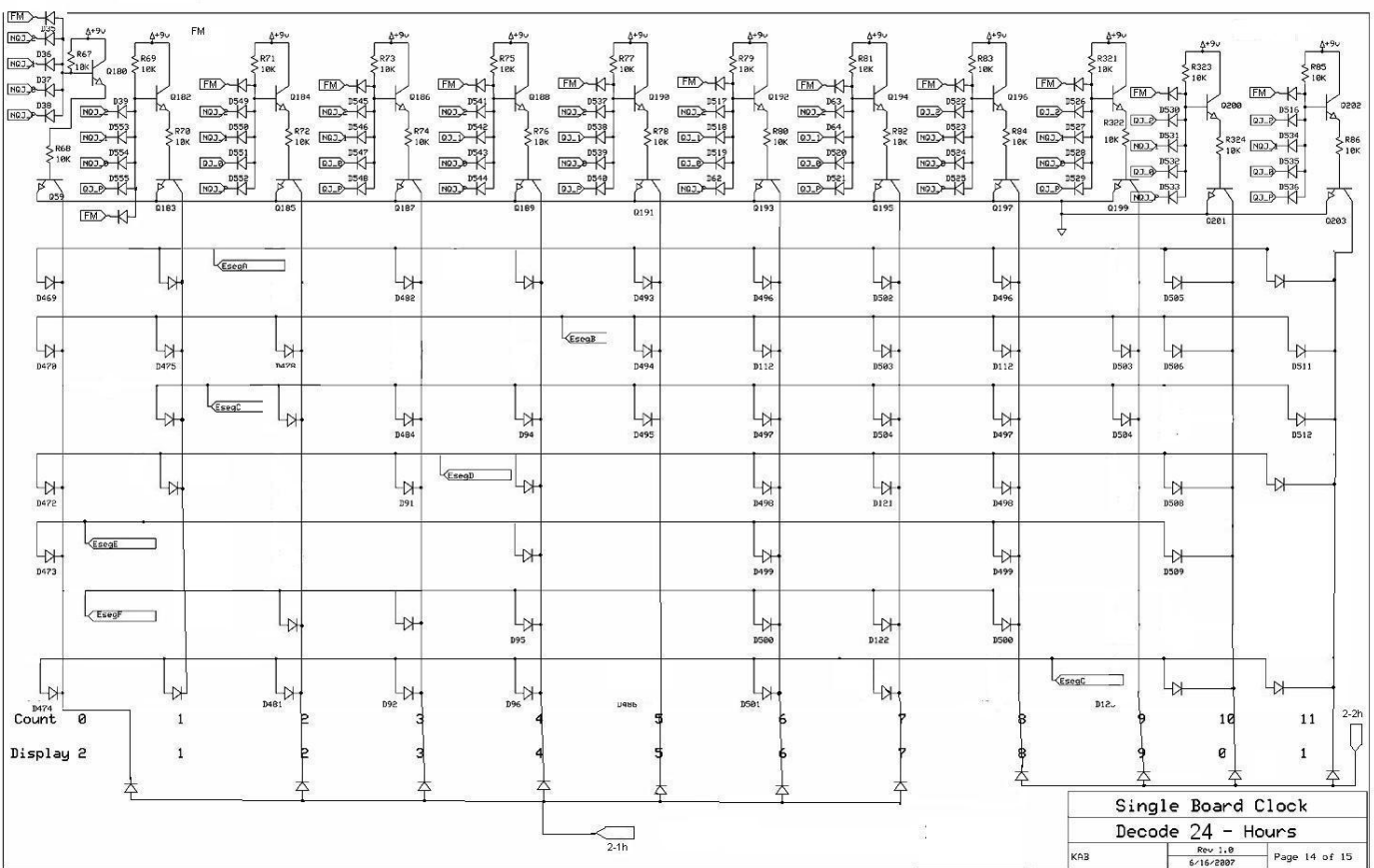




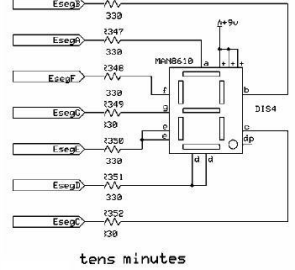
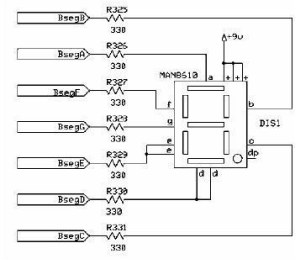
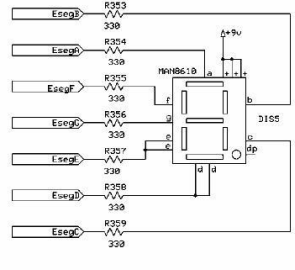
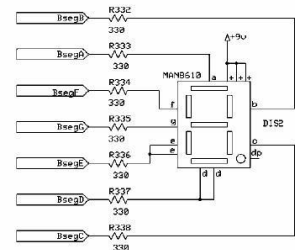
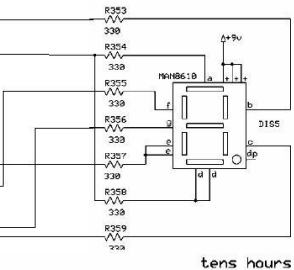
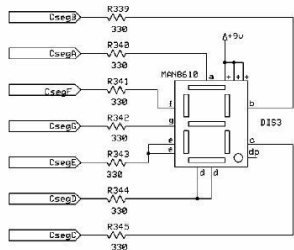
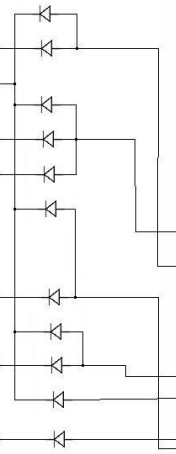
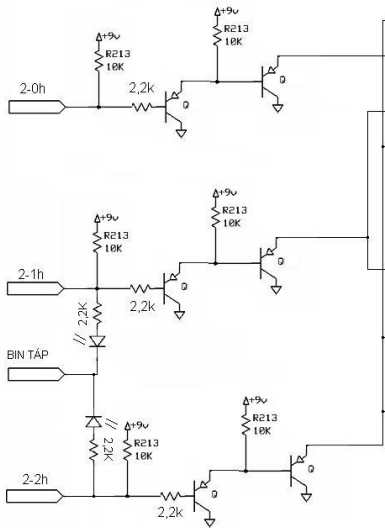
Single Board Clock	
Decode 6 - minutes	
KAB	Rev. 1.0 6/16/2007
Page 13 of 15	



Single Board Clock  
 Decode 12 - Hours  
 Rev 1.0  
 6/16/2007  
 Page 14 of 15

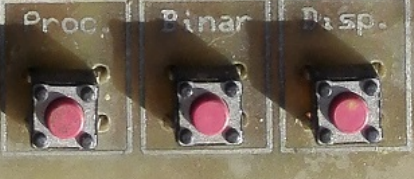
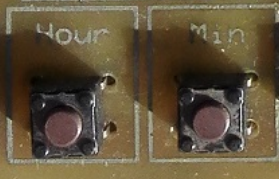
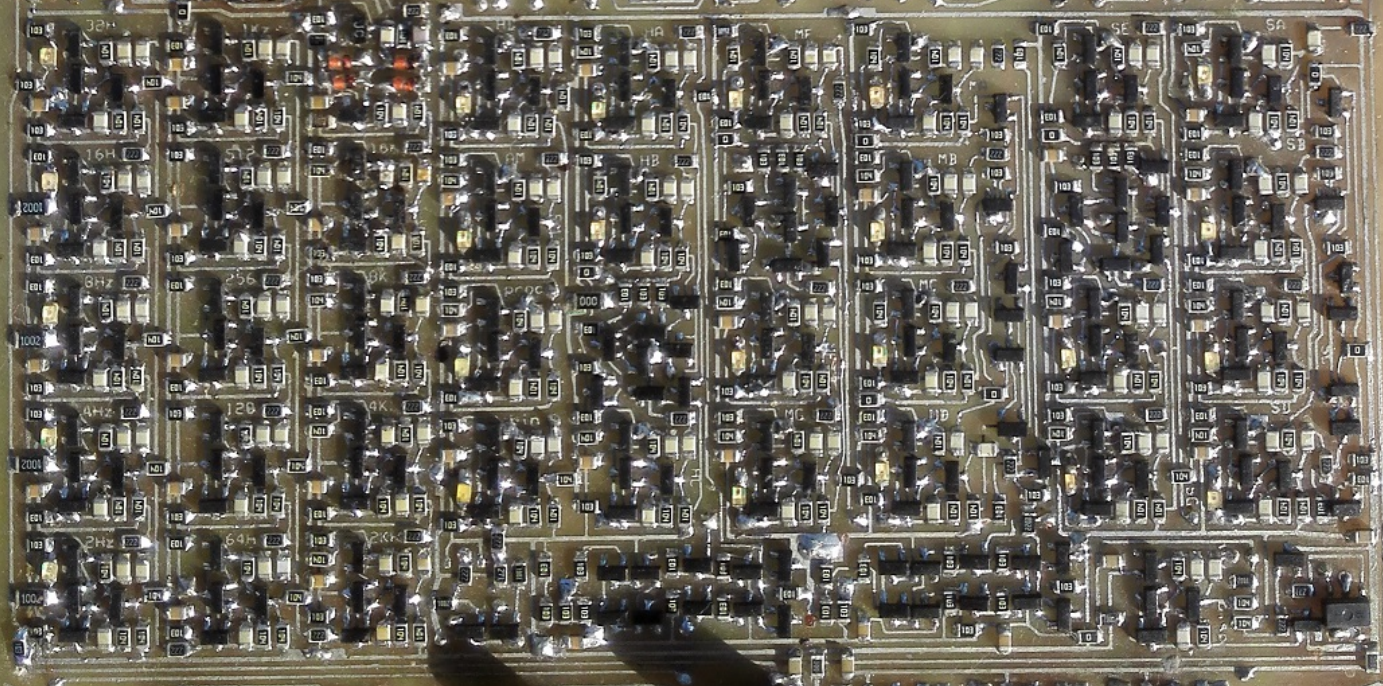
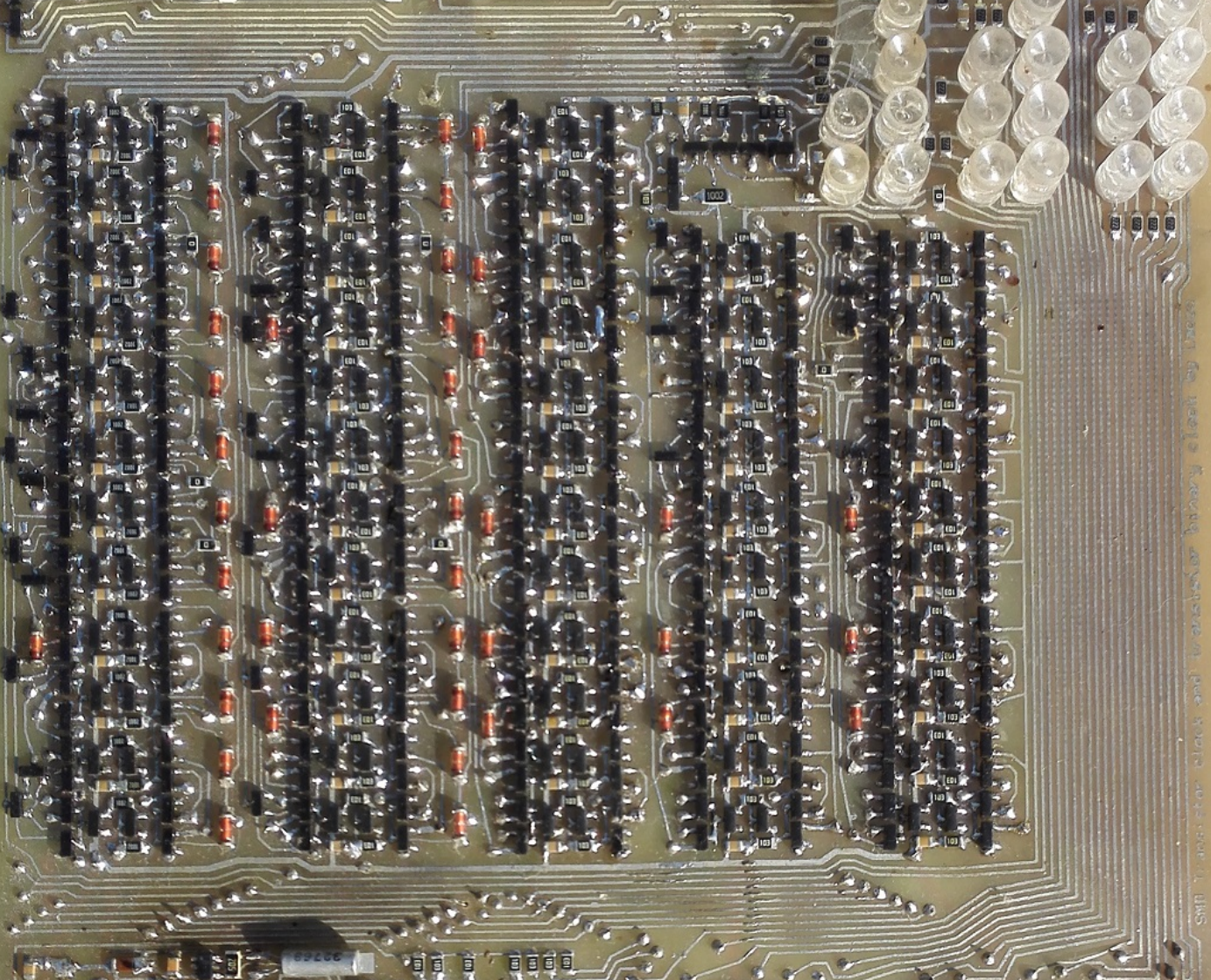


Single Board Clock  
 Decode 24 - Hours  
 Rev 1.0  
 6/16/2007  
 Page 14 of 15





La20 Transistor clock



SMP Transistor clock and transistor binary clock by L. Bess