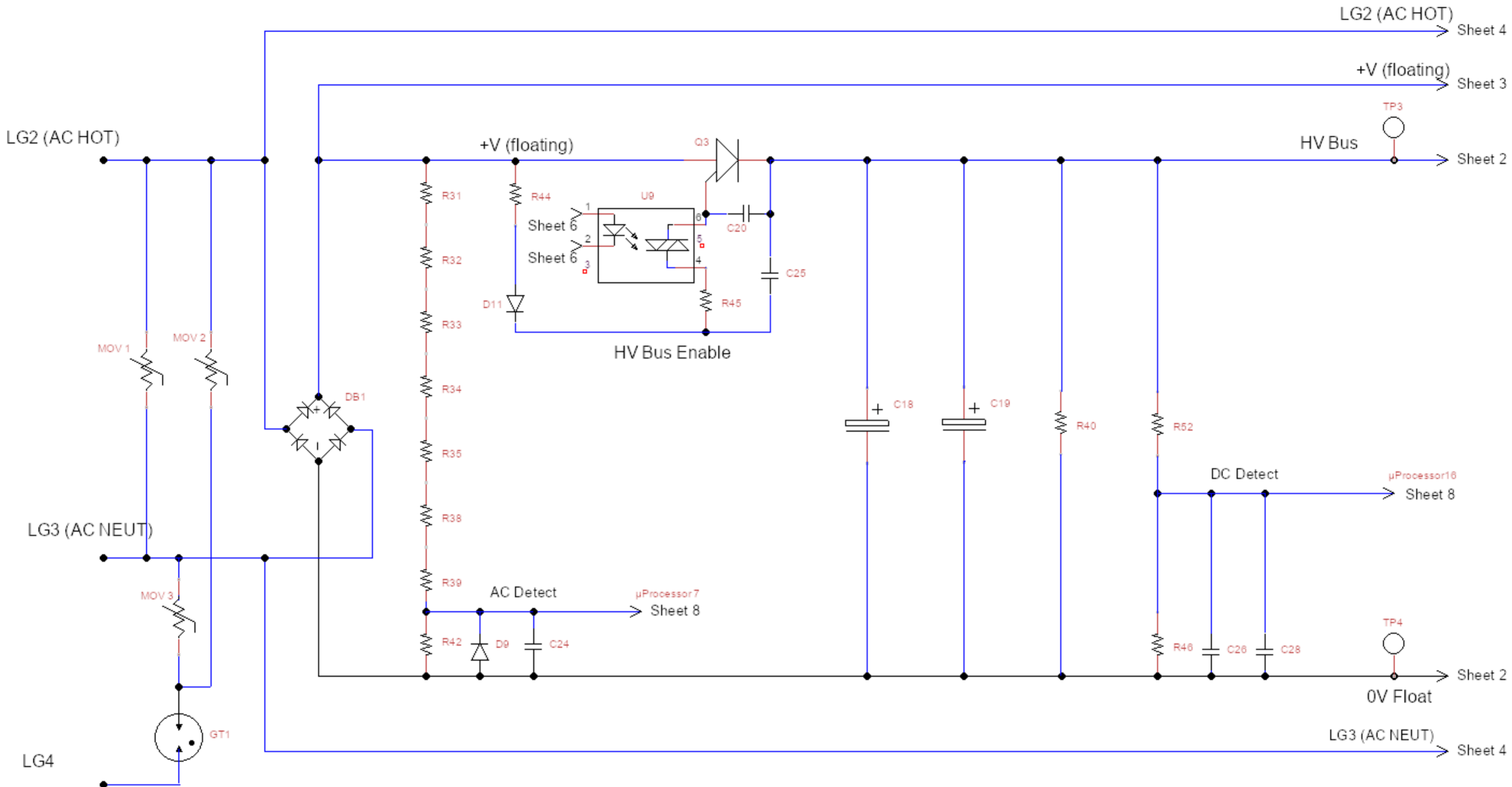
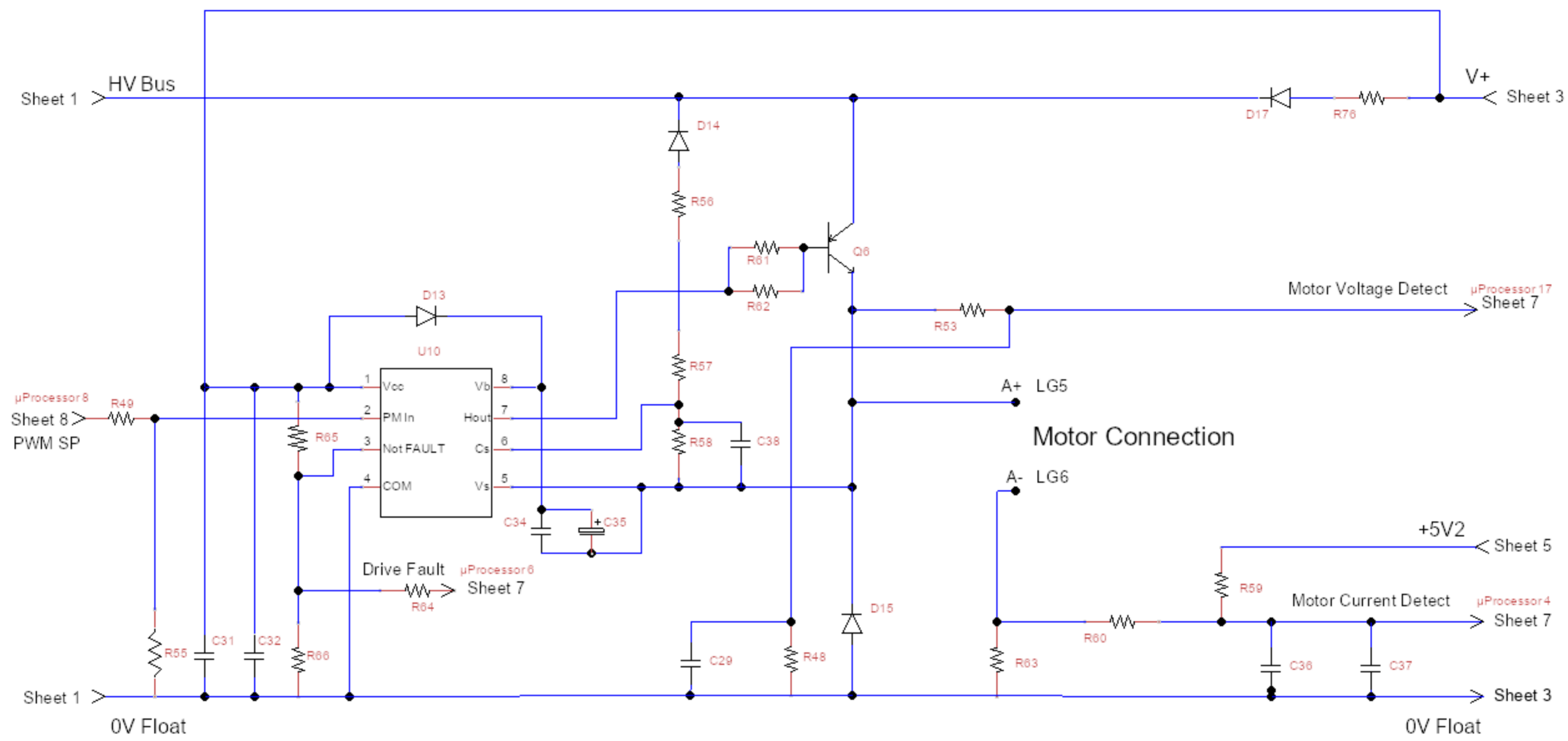


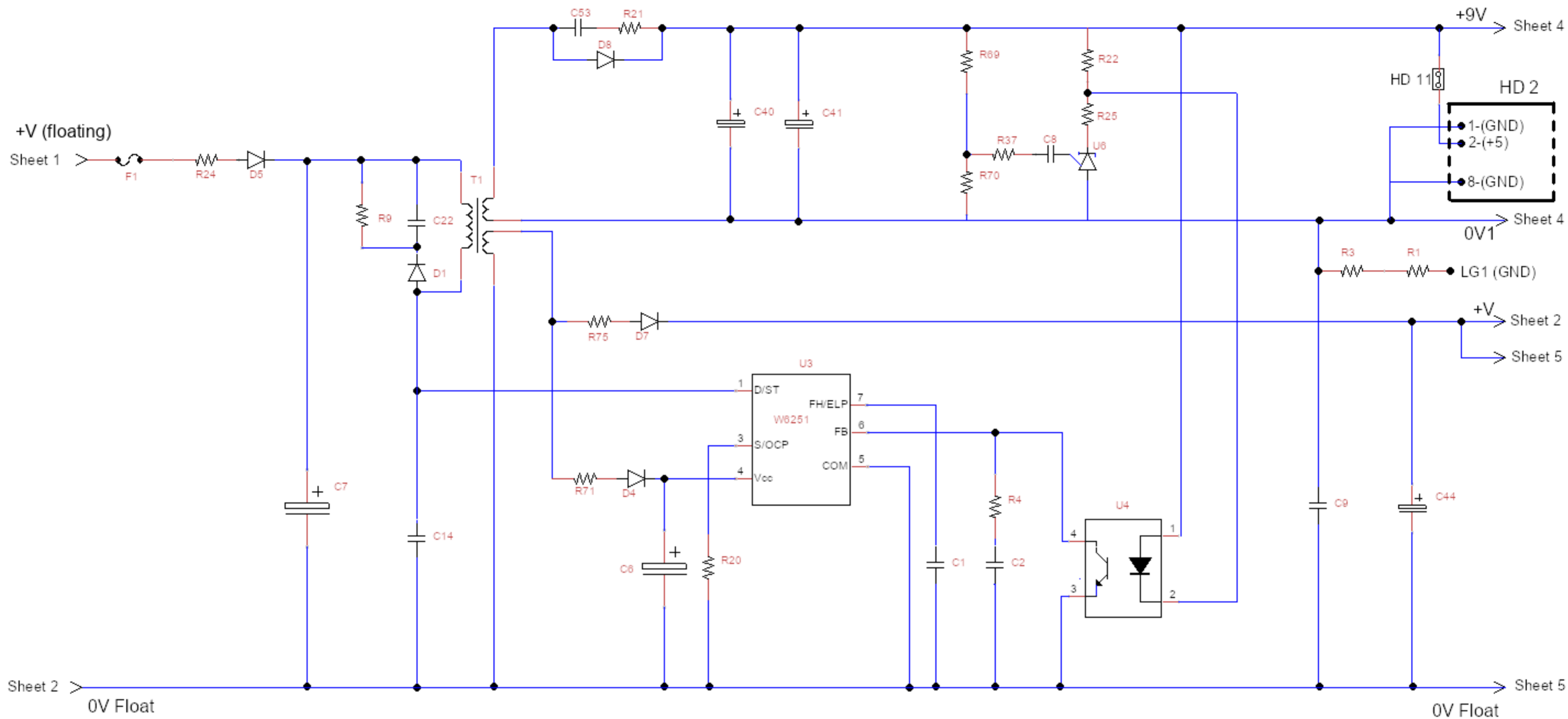
Title MC2100ELS Original defect version		
Author J E Y		
File \\home\john ... MC2100ELS_18W 2021-09-05.dsn	Document	
Revision 2.0	Date 05-09-2021	Sheets 1 of 9



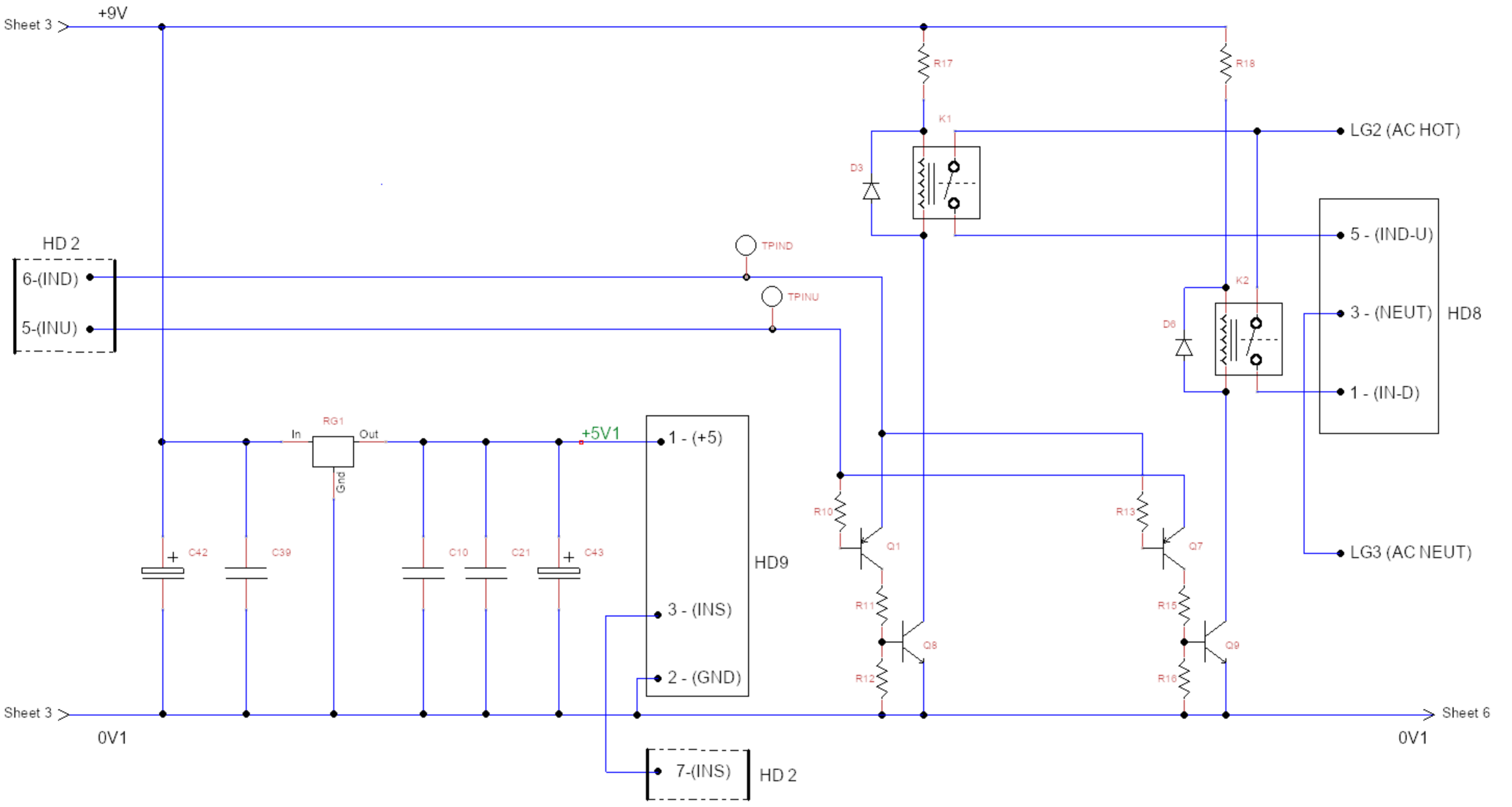
Title MC2100ELS-18W Motor Controller HV Bus		
Author J E Y		
File \\home\john ... MC2100ELS_18W 2021-09-05.dsn	Document	
Revision 2.0	Date 05-09-2021	Sheets 2 of 9



Title MC2100ELS-18W Motor Controller		
Author J E Y		
File \\home\john ... MC2100ELS_18W 2021-09-05.dsn	Document	
Revision 2.0	Date 05-09-2021	Sheets 3 of 9



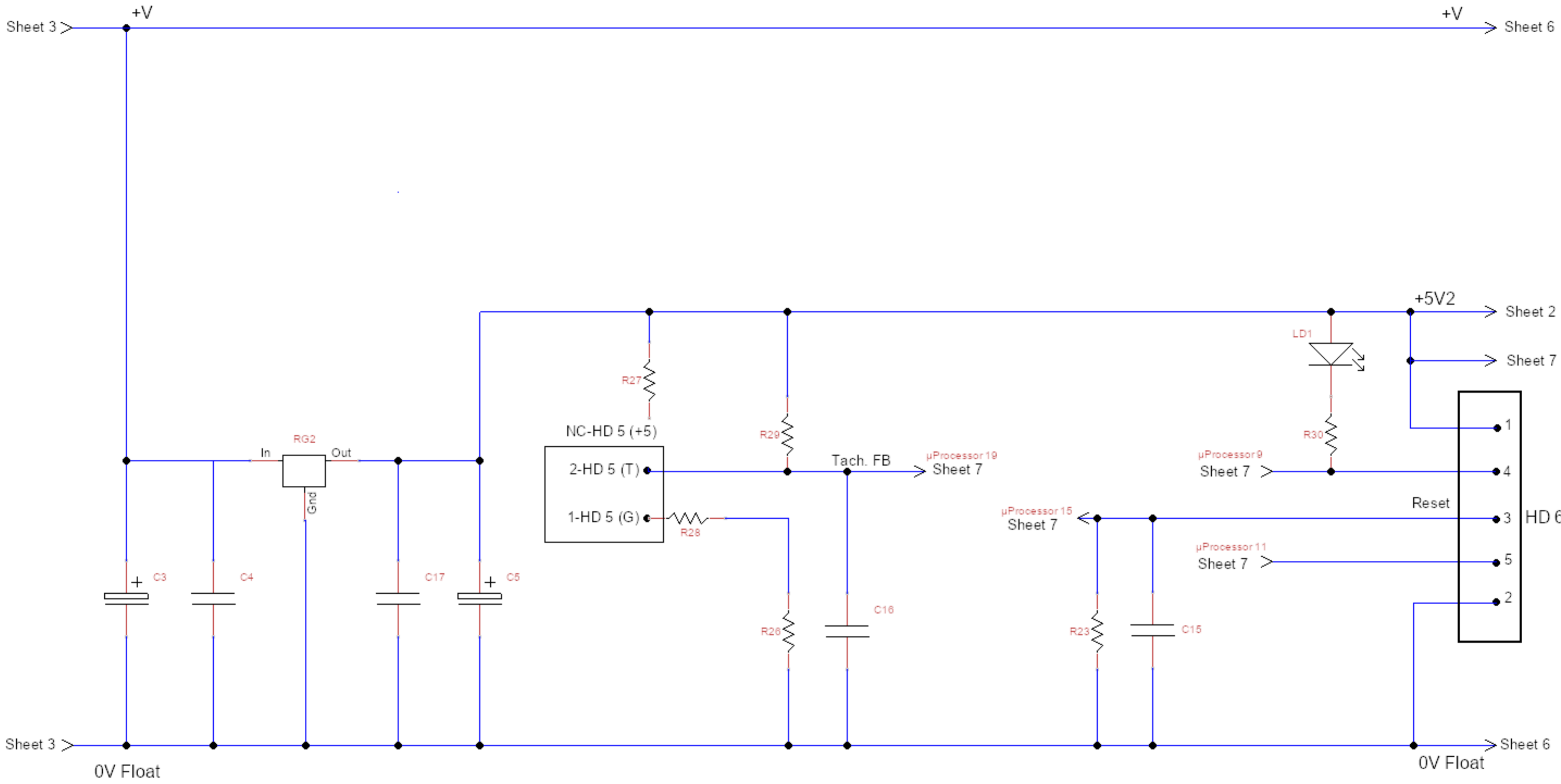
Title MC2100ELS-18W Motor Controller		
Author J E Y		
File \\home\john ... MC2100ELS_18W 2021-09-05.dsn	Document	
Revision 2.0	Date 05-09-2021	Sheets 4 of 9



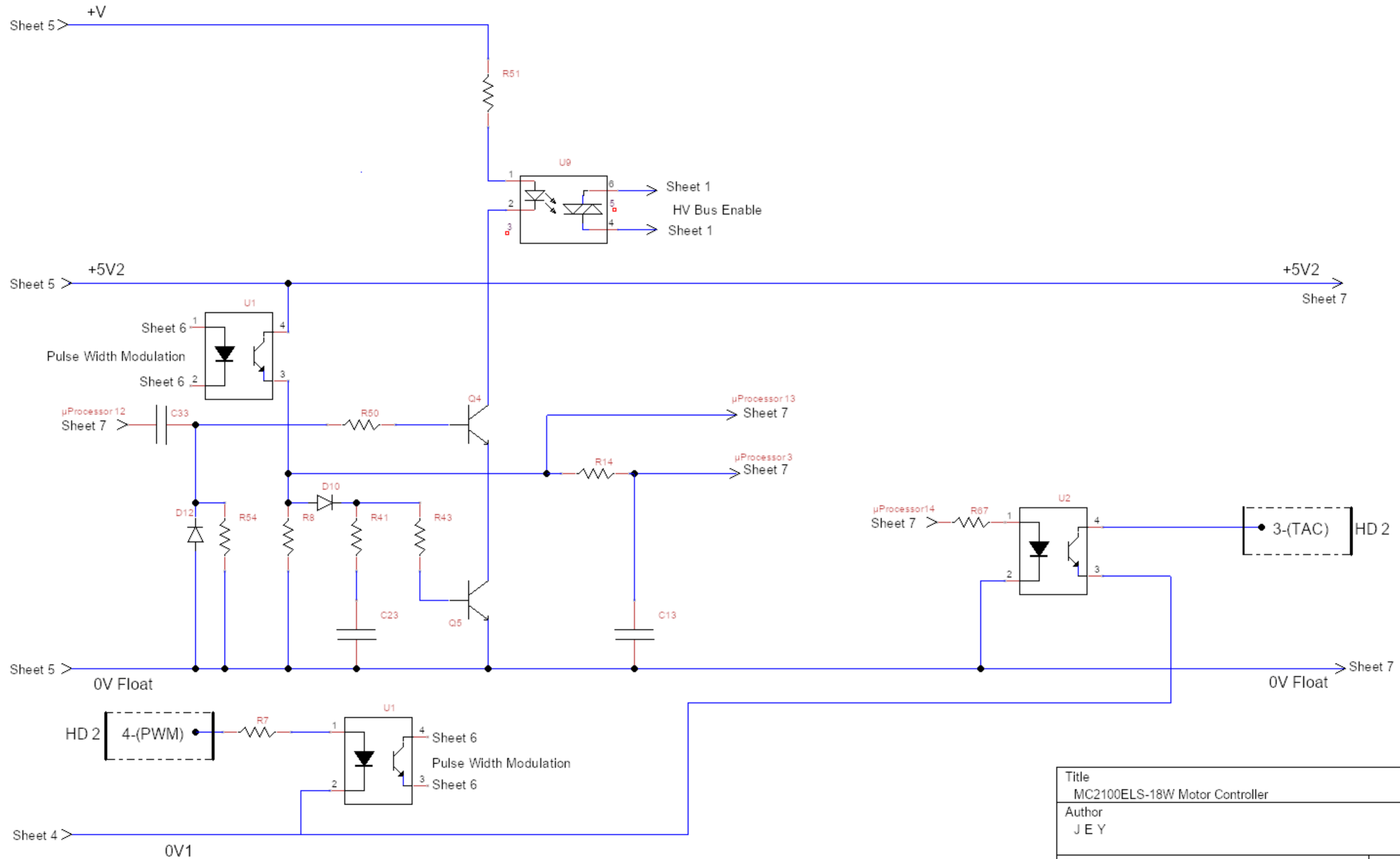
Sheet 3

Sheet 6

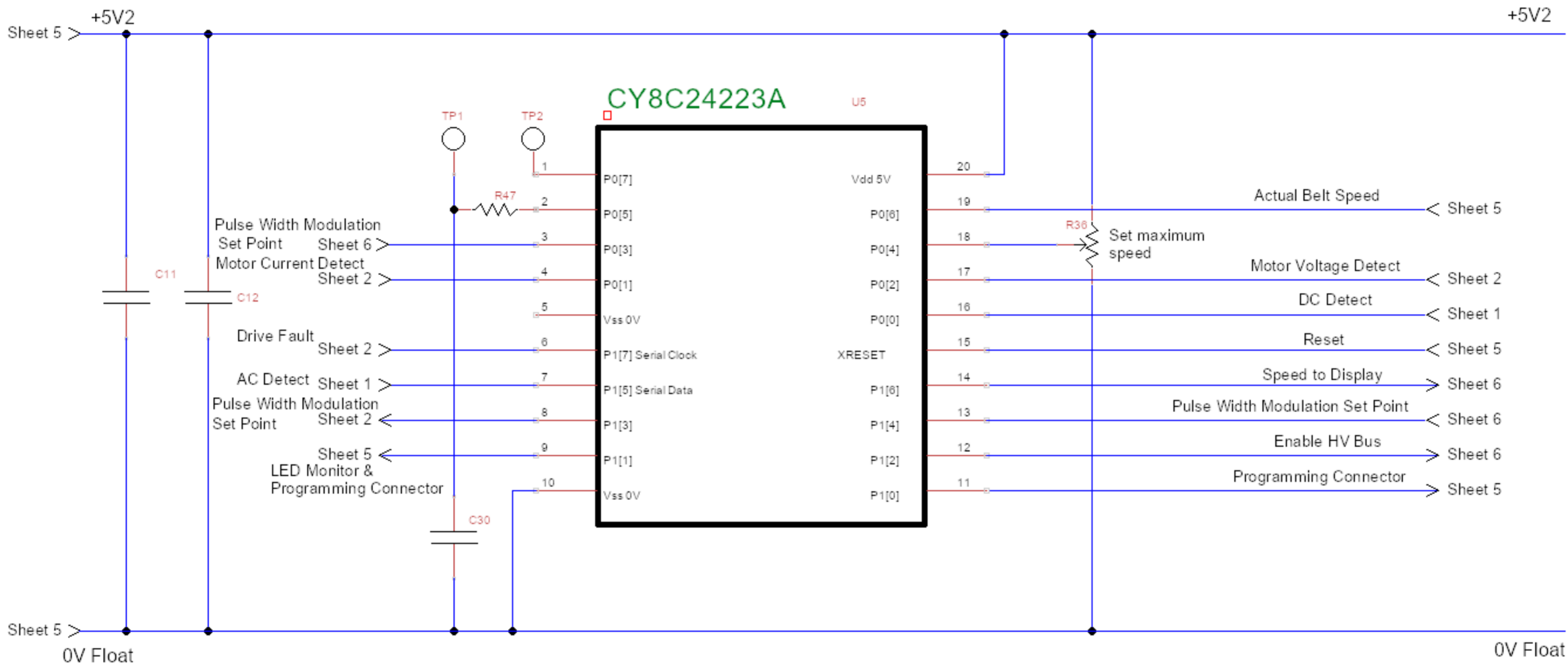
Title MC2100ELS-18W Motor Controller		
Author J E Y		
File \\home\john ... MC2100ELS_18W 2021-09-05.dsn	Document	
Revision 2.0	Date 05-09-2021	Sheets 5 of 9



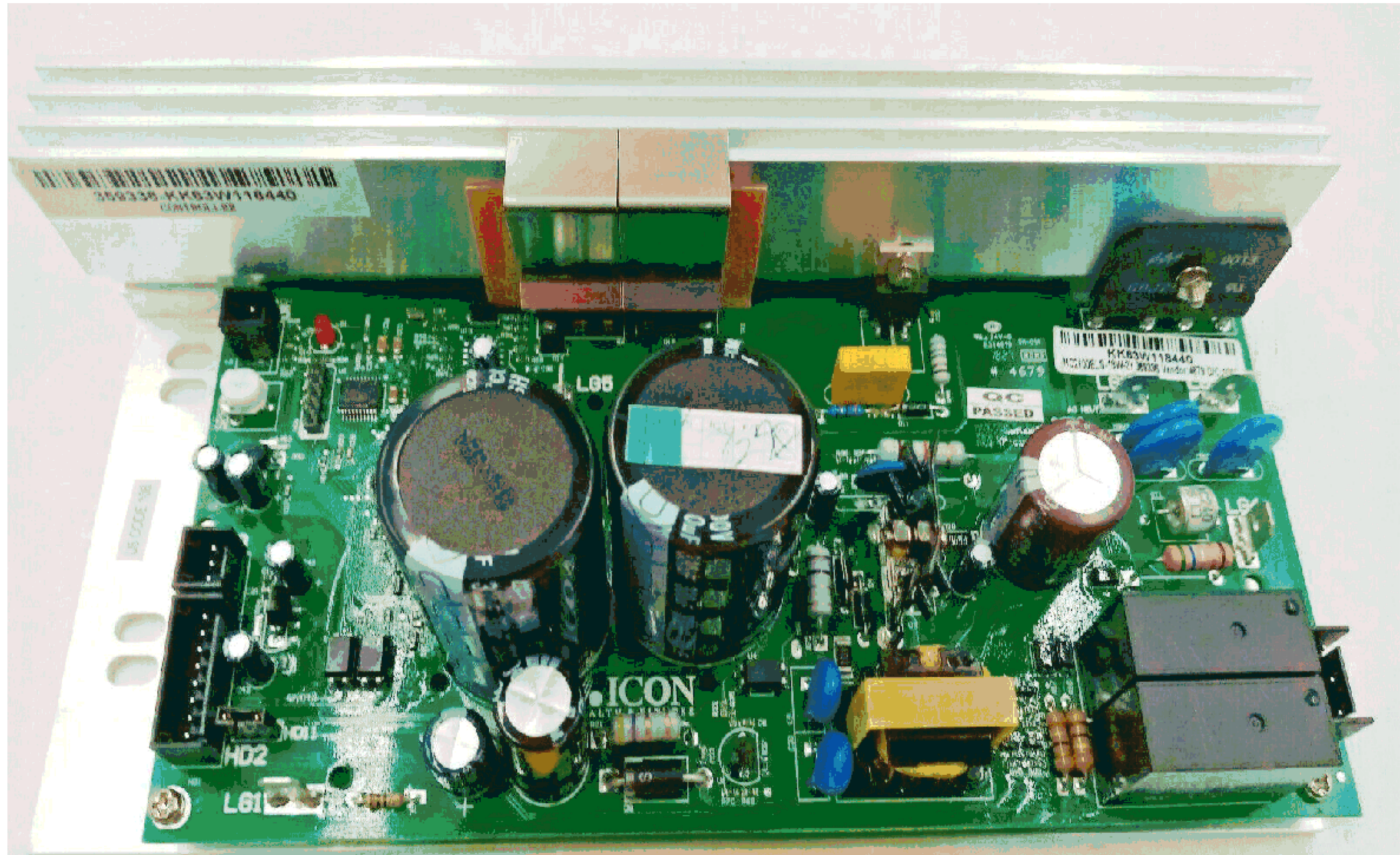
Title MC2100ELS-18W Motor Controller		
Author J E Y		
File \\home\john ... MC2100ELS_18W 2021-09-05.dsn	Document	
Revision 2.0	Date 05-09-2021	Sheets 6 of 9



Title MC2100ELS-18W Motor Controller		
Author J E Y		
File \\home\john ... MC2100ELS_18W 2021-09-05.dsn	Document	
Revision 2.0	Date 05-09-2021	Sheets 7 of 9



Title MC2100ELS-18W Motor Controller		
Author J E Y		
File \\home\john ... MC2100ELS_18W 2021-09-05.dsn	Document	
Revision 2.0	Date 05-09-2021	Sheets 8 of 9



Title MC2100ELS-18W Motor Controller - Replacement		
Author J E Y		
File \\home\john ... MC2100ELS_18W 2021-09-05.dsn	Document	
Revision 2.0	Date 05-09-2021	Sheets 9 of 9