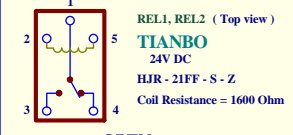
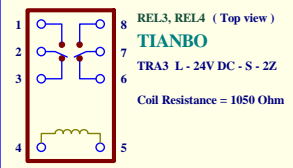


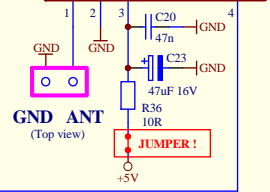
	ON	OFF
Switch 1	Automatic Closing	Automatic Closing OFF
Switch 2	Start-up delay with pre-flashing	No start-up delay, therefore no pre-flashing
Switch 3	Electrical lock ON	Electrical lock OFF
Switch 4	Operation without light barrier	Operation with light barrier



JUMPER !
 OFF --- PROGRAMMING
 ON --- TRANSMITTER PROGRAMMING

DANY SGRX434bp (POLAND)

433,92 MHz
RX - MODUL

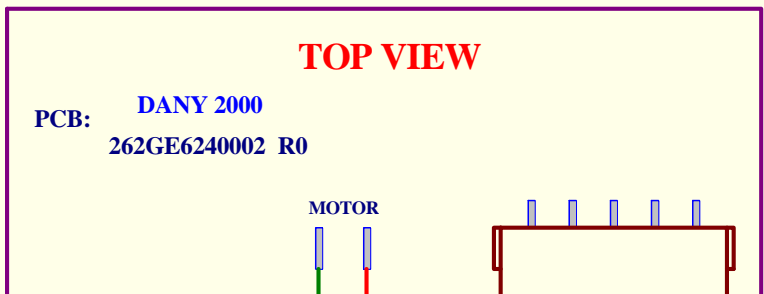
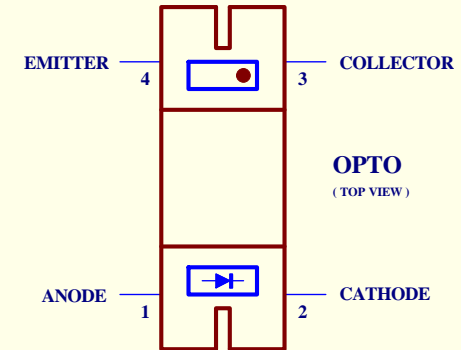
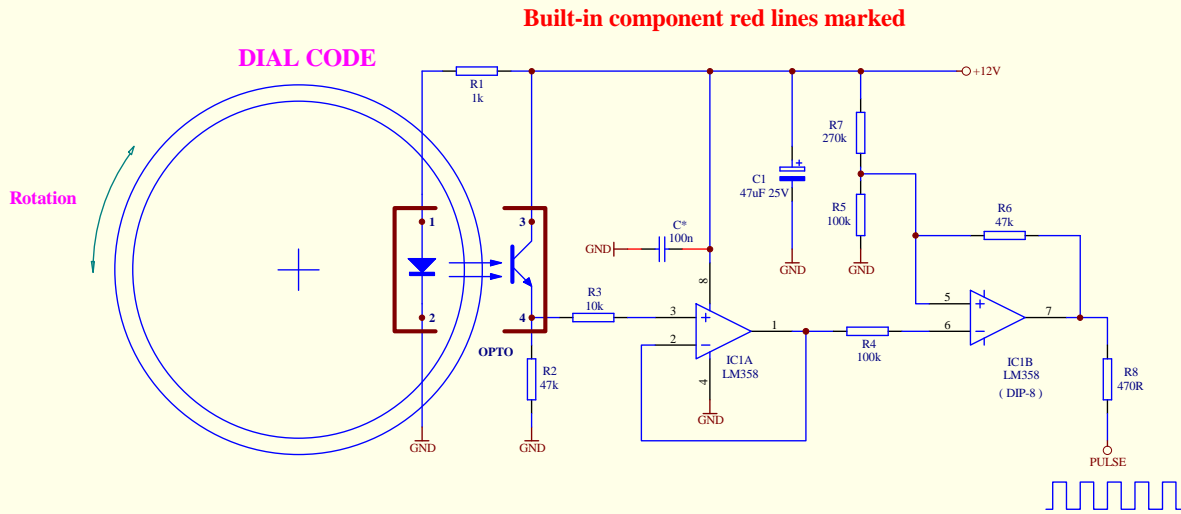


PCB: **DANY 2000**
91-00626-000-000 HKAEL.626.2005.6.6.

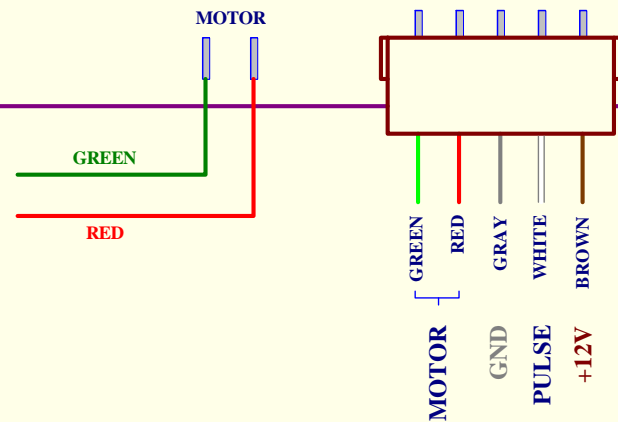
(Top view) **LAMP LOCK 24V AC** **TRAFO**

Built-in components red lines marked

Title		
EINHELL DOUBLE DOOR GATE OPENER		
Size	Number	Revision
A3	FA-G 2601	
Date:	3-Nov-2015	Sheet of 3/1
File:	C:\ADVSCH\EINHELL1.SCH	Drawn By: Zoltán Hódos Sr.



EINHELL GEAR MOTOR VC820
24V DC

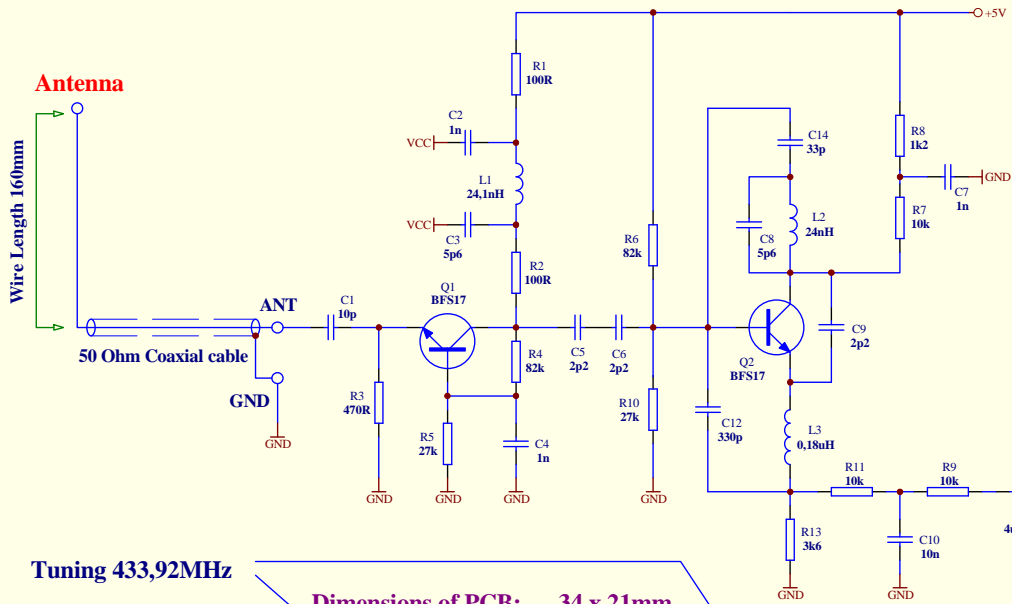


Title EINHELL PULSE GENERATOR		
Size A3	Number FA-G 2601	Revision
Date: 3-Nov-2015	Sheet of 3/2	Revision
File: C:\ADVSCH\EINHELL2.SCH	Drawn By: Zoltán Hódos Sr.	

Super regenerative radio receiver

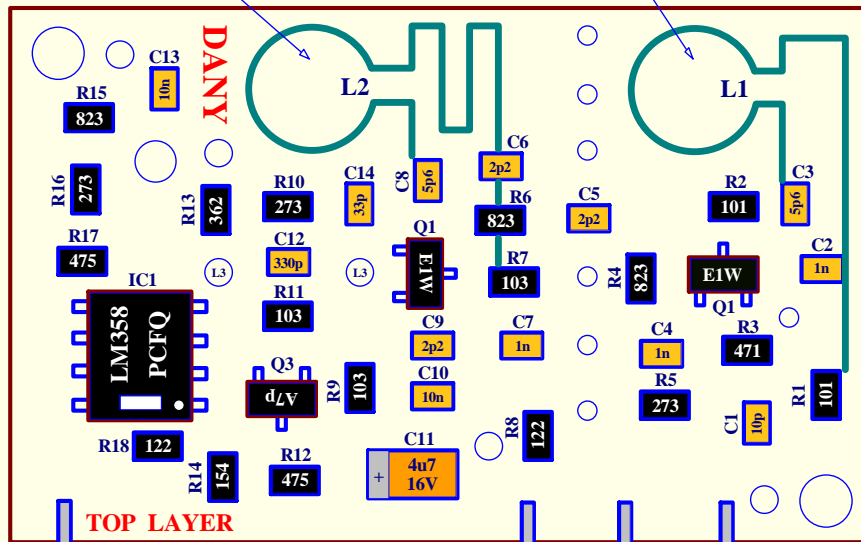
TECHNICAL DATA

	Min.	Typ.	Max.	Unit
Power supply	4,85		5,5	V
Current consumption		3,5	5,5	mA
Work frequency		433,92		MHz
Sensitivity	-93	-96		dBm
Bit rate		1200		B/sec
Out. voltage Vhi (DATA)	3,2			V
Out. voltage Vlo (DATA)			0,8	V



Tuning 433,92MHz

Dimensions of PCB: 34 x 21mm



TOP LAYER

L3 - BOTTOM LAYER

OUT

+5V

GND

ANT

Built-in component red lines marked

Note

- * = p : Made in Hong Kong
- * = t : Made in Malaysia
- * = w : Made in China

Q3
SMD Marking Code: A7p
BAV99
SOT-23

Q1, Q2
SMD Marking Code: E1W
BFS17
SOT-23

RECEIVER SGRX434bp

PCB: DANY

<http://www.danysc.com.pl/elektronika.en.htm>

Title EINHELL 433,92 MHz RX-MODUL		
Size A3	Number FA-G 2601	Revision
Date: 3-Nov-2015	Sheet of 3/3	Drawn By: Zoltán Hódos Sr.
File: C:\ADVSCH\EINHELL3.SCH		