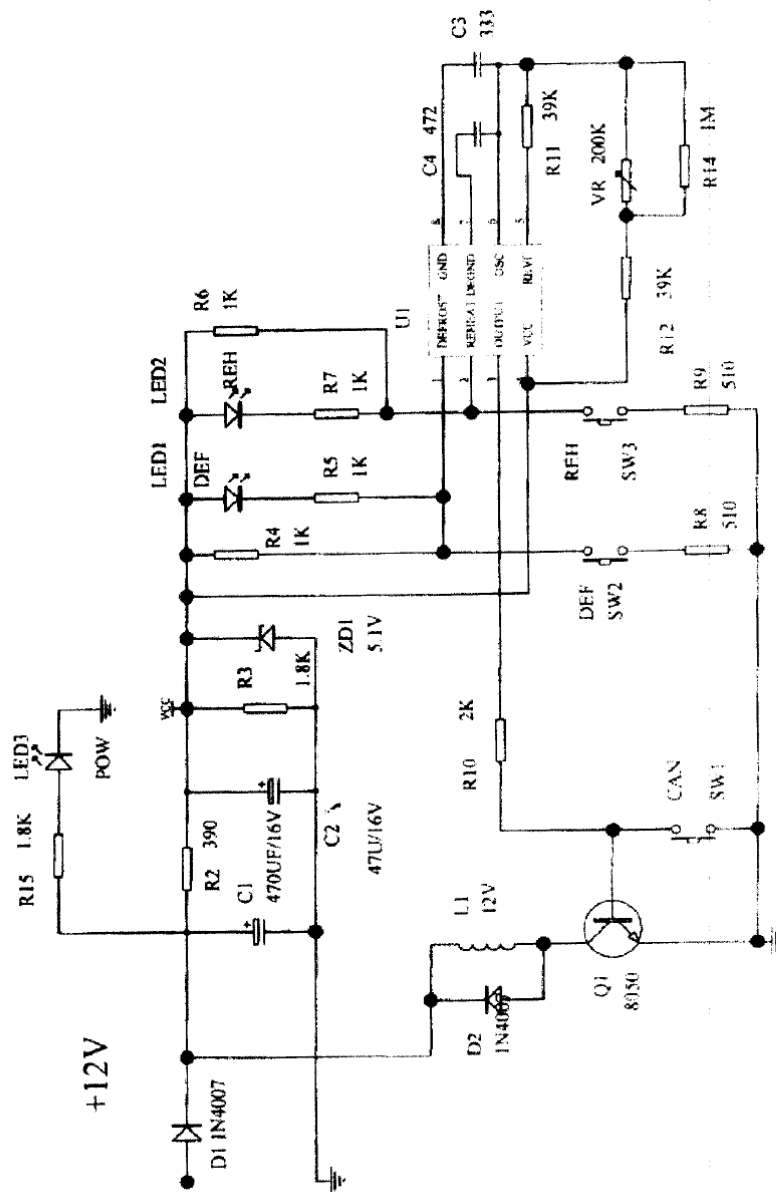




Product Service

### PCB circuit diagram of model KT-600F



Project Number: 708880701907-Part1

Page B9 of B11  
Rev. No. 9.1



Product Service

