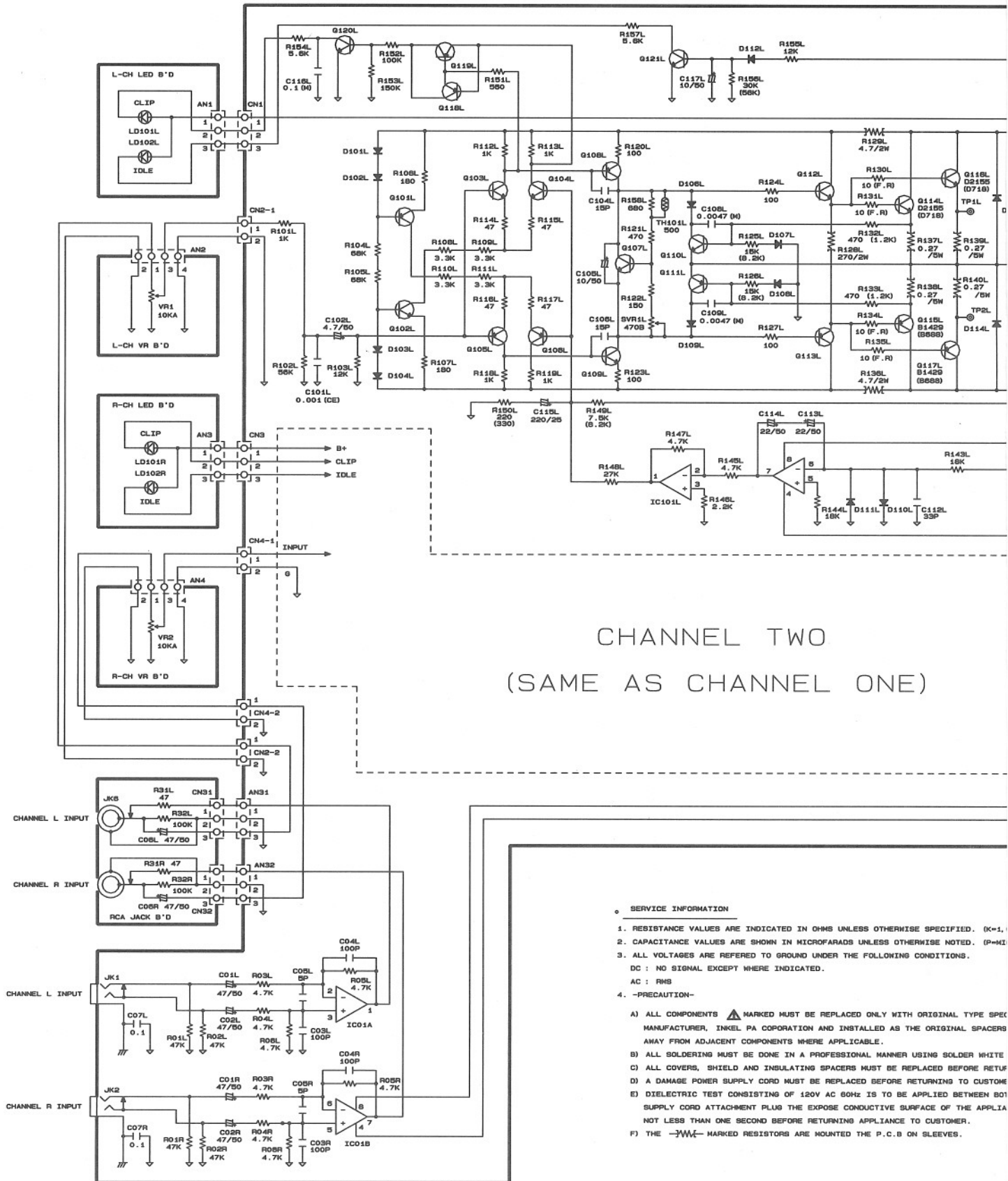


# SCHEMATIC

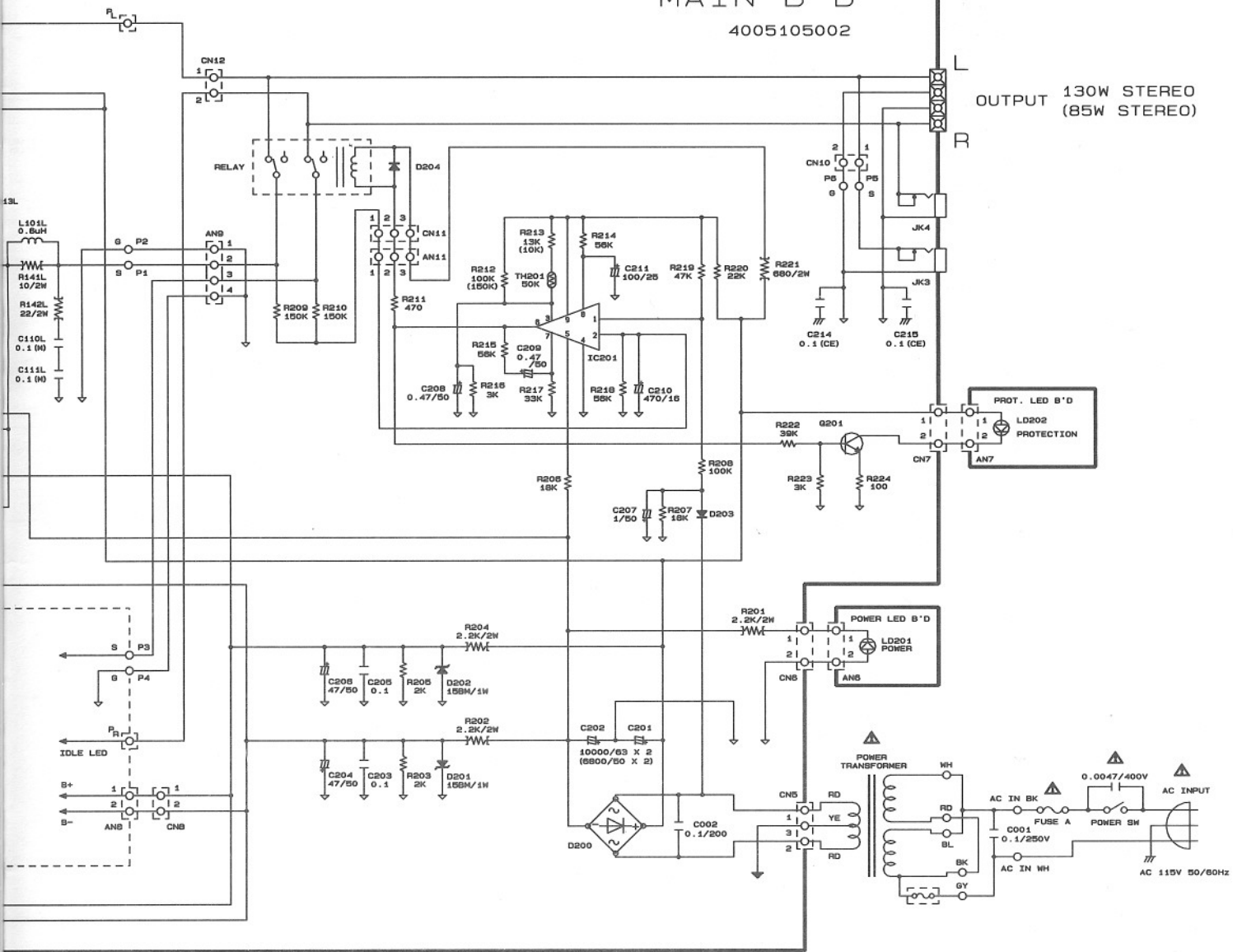


# DIAGRAM

## MAIN B'D

4005105002

OUTPUT 130W STEREO  
(85W STEREO)



### NOTE

- A1288 : Q101, Q111
- C3198 : Q102, Q110, Q121, Q201
- C3200 : Q103, Q104, Q107, Q120
- A1288 : Q118, Q119
- A970 : Q105, Q105
- A948 : Q108
- C2229 : Q109
- C2238 : Q112
- A988 : Q113
- TA7317P : IC201
- 0720 : IC101
- 20860 : IC01
- 1N4148 : D101-D112
- UZP-158M: D201, D202
- 1N4008 : D203, D204
- PS804 : D200
- KL206L : LD101, LD202
- KL206L : LD102
- SLR-54UR: LD201
- PS2010 : D113, D114

( ) = SERVO-170 PART VALUE  
(/h) = CHASSIS GROUND

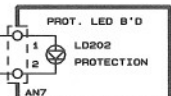
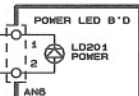
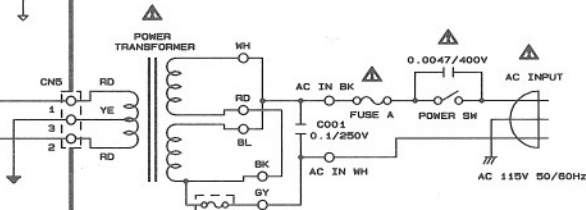
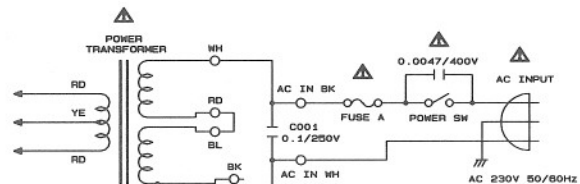
100, M=1, 000, 000)  
RO-MICROFARADS)

IFIED BY THE  
AND POSITIONED

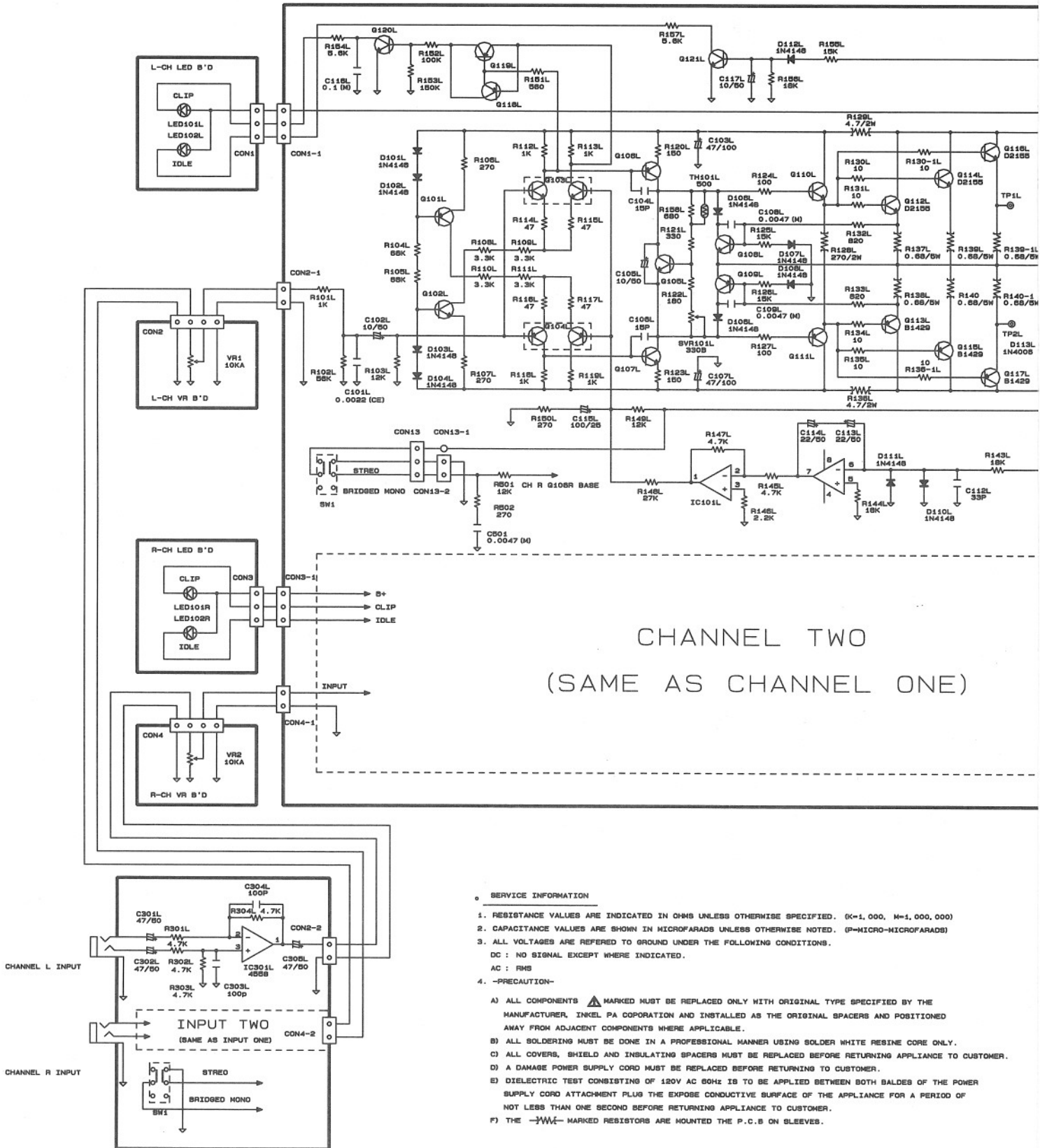
RESINE CORE ONLY.  
NING APPLIANCE TO CUSTOMER.

R.  
H BALDES OF THE POWER

CE FOR A PERIOD OF



# SERVO-550 SCHEMA

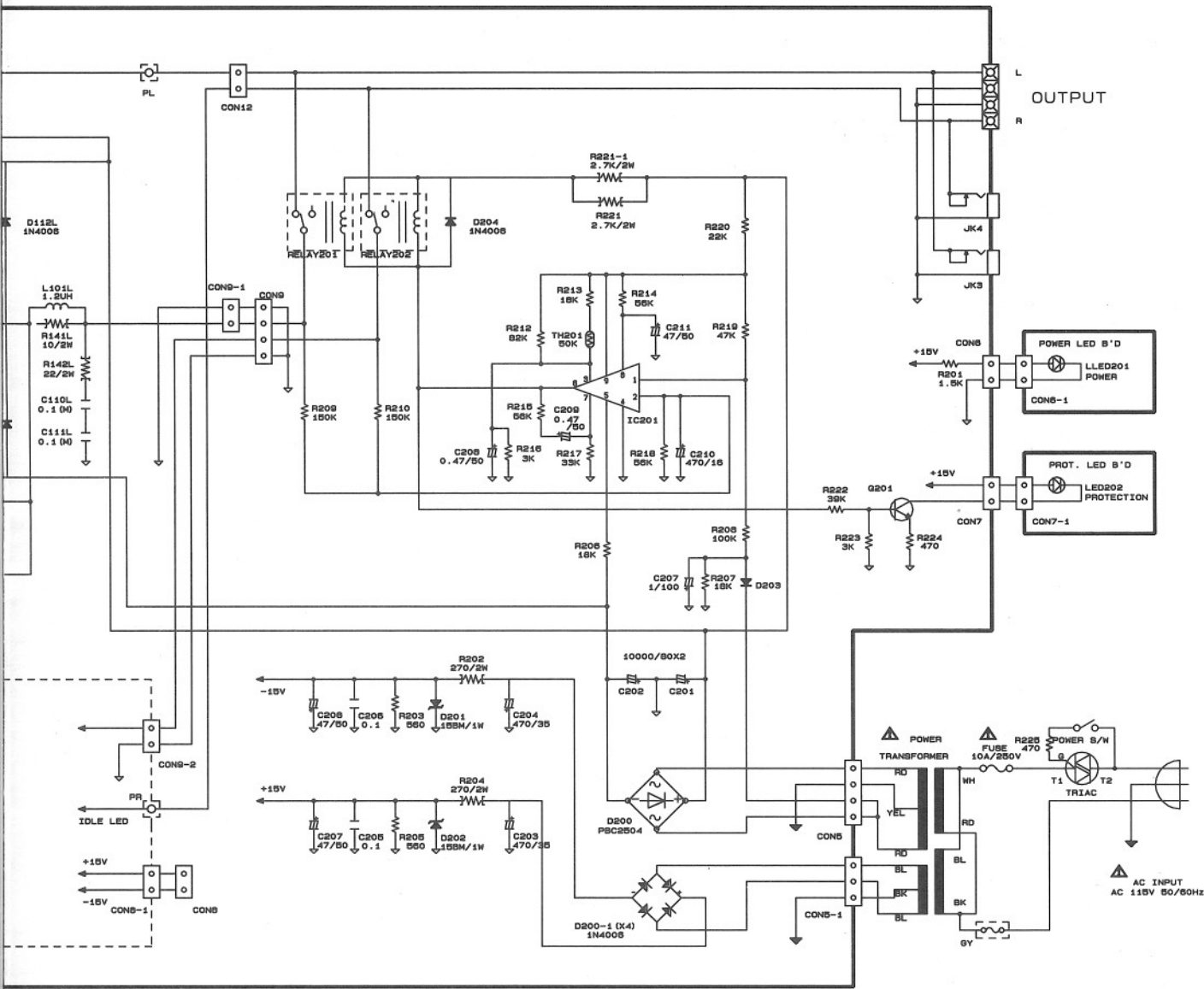


## SERVICE INFORMATION

1. RESISTANCE VALUES ARE INDICATED IN OHMS UNLESS OTHERWISE SPECIFIED. (K=1,000, M=1,000,000)
2. CAPACITANCE VALUES ARE SHOWN IN MICROFARADS UNLESS OTHERWISE NOTED. (P=MICRO-MICROFARADS)
3. ALL VOLTAGES ARE REFERRED TO GROUND UNDER THE FOLLOWING CONDITIONS.  
DC : NO SIGNAL EXCEPT WHERE INDICATED.  
AC : RMS
4. -PRECAUTION-

- A) ALL COMPONENTS MARKED MUST BE REPLACED ONLY WITH ORIGINAL TYPE SPECIFIED BY THE MANUFACTURER, INTEL PA CORPORATION AND INSTALLED AS THE ORIGINAL SPACERS AND POSITIONED AWAY FROM ADJACENT COMPONENTS WHERE APPLICABLE.
- B) ALL SOLDERING MUST BE DONE IN A PROFESSIONAL MANNER USING SOLDER WHITE RESINE CORE ONLY.
- C) ALL COVERS, SHIELD AND INSULATING SPACERS MUST BE REPLACED BEFORE RETURNING APPLIANCE TO CUSTOMER.
- D) A DAMAGE POWER SUPPLY CORD MUST BE REPLACED BEFORE RETURNING TO CUSTOMER.
- E) DIELECTRIC TEST CONSISTING OF 120V AC 60HZ IS TO BE APPLIED BETWEEN BOTH BALDES OF THE POWER SUPPLY CORD ATTACHMENT PLUS THE EXPOSE CONDUCTIVE SURFACE OF THE APPLIANCE FOR A PERIOD OF NOT LESS THAN ONE SECOND BEFORE RETURNING APPLIANCE TO CUSTOMER.
- F) THE MARKED RESISTORS ARE MOUNTED THE P.C.B ON SLEEVES.

# TIC DIAGRAM



- NOTE
- TR NPN C2240BL (C3200) : G105L/R, G120L/R
  - TR PNP A1265BL : G104L/R, G118L/R, G119L/R
  - TR NPN C2225Y (C3208) : G107L/R
  - TR PNP A949Y (A1024) : G106L/R
  - TR NPN C3185Y : G102L/R, G108L/R, G121L/R
  - Q201
  - TR PNP A1265Y : G106L/R
  - TR NPN KTC 3400G KEC : G103
  - TR PNP KTA 2400G KEC : G104
  - TR NPN 28C 2238Y : G110
  - TR PNP 28A 958Y : G111
  - TRIAC 04015 : Q202
  - IC NJM 072D JRC : IC101
  - IC TA 7317P TOSHIBA : IC201
  - LED SLR-54UR R5 RED : LD201
  - LED KLR 206L 2#5 RED KEC : LD101, LD202
  - LED KLG 206L 2#5 GRE KEC : LD102

